



US00D970965S

(12) **United States Design Patent** (10) **Patent No.:** **US D970,965 S**
Qi (45) **Date of Patent:** **** Nov. 29, 2022**

(54) **COFFEE COOLER**
(71) Applicant: **Weinan Qi**, Guangdong (CN)
(72) Inventor: **Weinan Qi**, Guangdong (CN)
(**) Term: **15 Years**

D941,091 S * 1/2022 Delgado Carmona D7/510
D941,092 S * 1/2022 Roberts D7/529
D954,503 S * 6/2022 Lu D7/529
2012/0125931 A1 * 5/2012 Roth B65D 43/0231
220/254.3
2020/0305619 A1 * 10/2020 Tsui A45F 3/20

(21) Appl. No.: **29/792,507**
(22) Filed: **Apr. 1, 2022**
(51) **LOC (13) Cl.** **07-01**
(52) **U.S. Cl.**
USPC **D7/507**; D7/510; D7/531
(58) **Field of Classification Search**
USPC D7/507, 509, 510, 511, 523, 531, 532,
D7/392.1, 396.2, 624.1, 624.2, 519, 514,
D7/515; D9/500, 501, 516, 519, 562,
D9/531, 559, 564, 503, 504; D3/202
CPC A47G 19/22; A47G 19/2205; A47G
19/2288; A47J 41/02; A47J 41/0077;
A47J 43/27; A45F 3/16
See application file for complete search history.

OTHER PUBLICATIONS

https://www.amazon.com/YOLIN-Coffee-Maker-Stainless-Steel-Tumbler/dp/B0B4CM29QV/ref=asc_df_B0B4CM29QV/?tag=hyprod-20&linkCode=df0&hvadid=598269421375&hvpos=&hvnetw=g&hvrnd=17071689456942252184&hvpone=&hvptwo=&hvqmt=&hvdev=c&hvdvcmld=&hvlocint=&hvlocphy=9059726&hvtargid=pla-1714521251003&psc=1 Jun. 17, 2022 (Year: 2022).*

* cited by examiner

Primary Examiner — Jae Liang

(57) **CLAIM**

The ornamental design for a coffee cooler, as shown and described.

DESCRIPTION

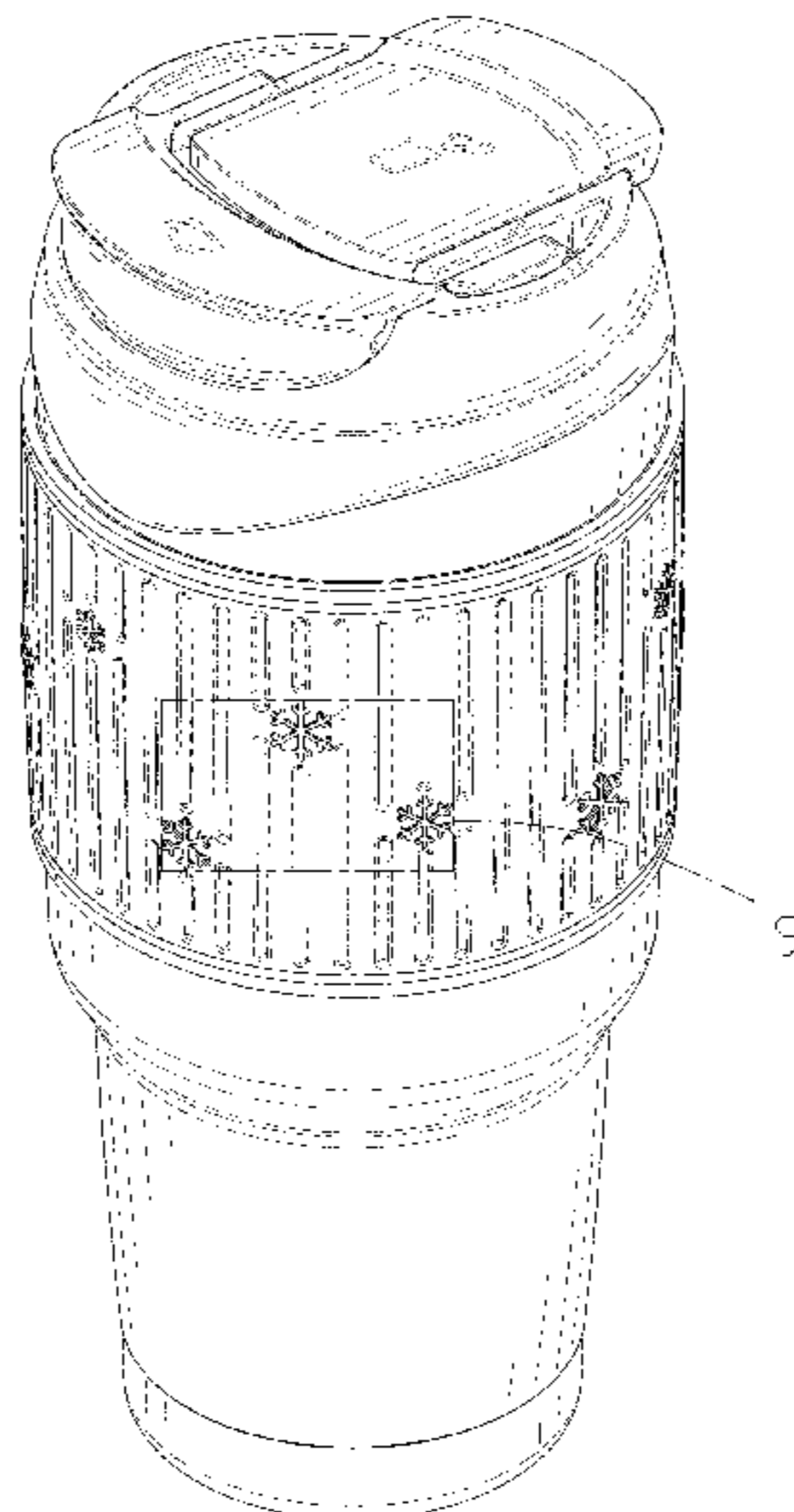
FIG. 1 is a front and top perspective view of a coffee cooler, showing my new design;
FIG. 2 is a rear and bottom perspective view thereof;
FIG. 3 is a front elevation view thereof;
FIG. 4 is a rear elevation view thereof;
FIG. 5 is a left side elevation view thereof;
FIG. 6 is a right side elevation view thereof;
FIG. 7 is a top plan view thereof;
FIG. 8 is a bottom plan view thereof; and,
FIG. 9 is an enlarged view of a portion indicated with numeric 9 in FIG. 1.
The broken lines in the figures illustrate portions of the coffee cooler that form no part of the claimed design. The dash dot dash lines in FIGS. 1 and 9 are for the purpose of depicting the boundary lines of the enlarged view and form no part of the claimed design.

(56) **References Cited**

U.S. PATENT DOCUMENTS

D204,153 S	3/1966	Tampone	
D539,092 S *	3/2007	Norris	D7/531
D621,659 S *	8/2010	Liu	D7/532
D642,862 S *	8/2011	Tobias	D7/510
D655,967 S *	3/2012	Bodum	D7/412
8,276,776 B2 *	10/2012	Roth	B65D 81/3876 220/254.1
9,107,541 B2 *	8/2015	Bodum	A47J 31/00
D792,155 S *	7/2017	Stover	D7/532
D794,390 S *	8/2017	Boettcher Sebben	D7/532
D814,240 S *	4/2018	Kabalin	D7/532
D830,127 S *	10/2018	Rohe	D7/510
D833,817 S *	11/2018	Sletten	D7/532
D842,050 S *	3/2019	Laustsen	D7/624.2
10,327,573 B2 *	6/2019	Ali	B01F 35/3202
D899,192 S *	10/2020	Yu	D7/510
D899,857 S *	10/2020	Jacobsen	D7/511
D905,505 S *	12/2020	Lambert	D7/532
D932,845 S *	10/2021	Crain	D7/624.2

1 Claim, 9 Drawing Sheets



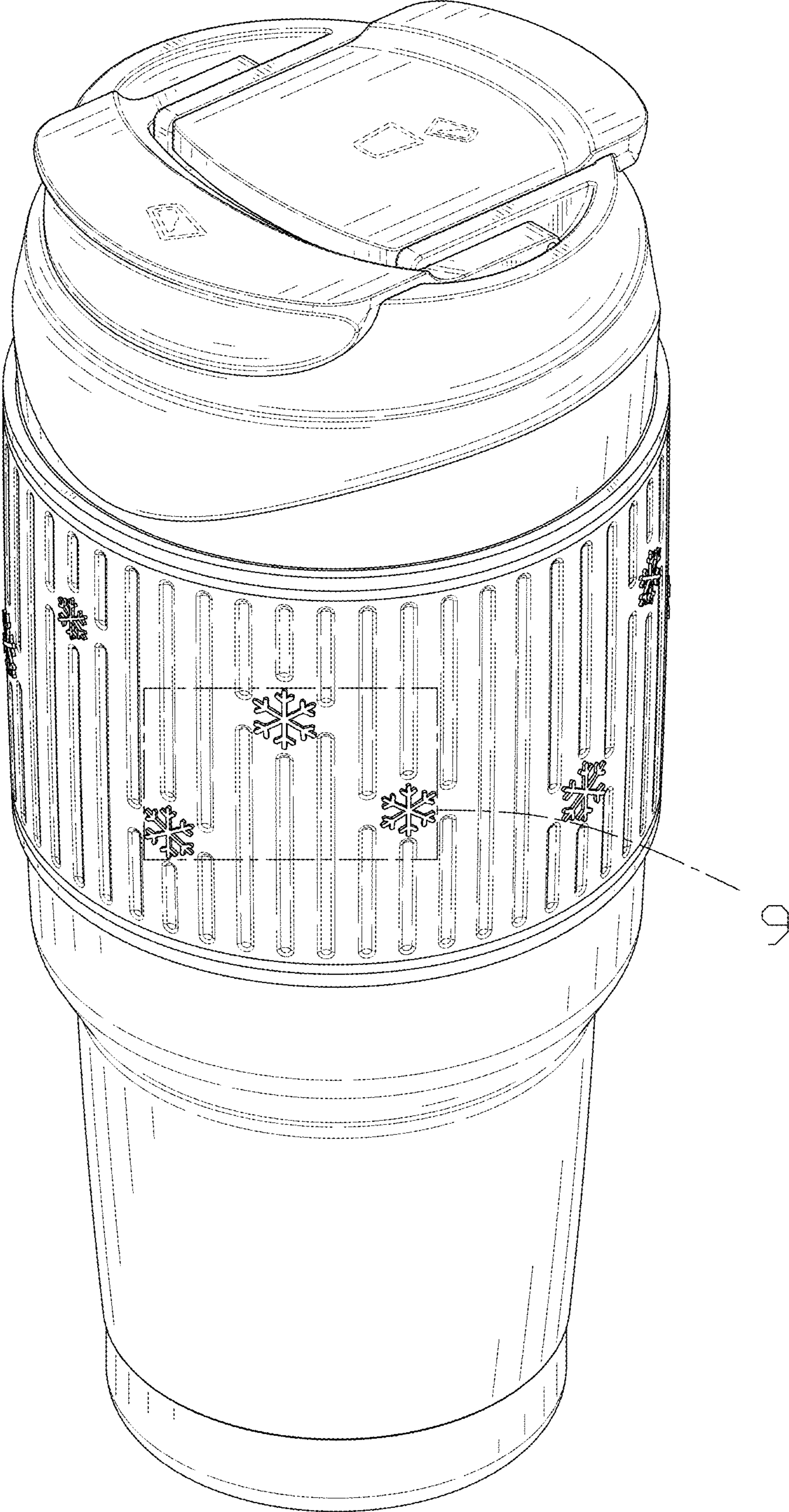


FIG. 1

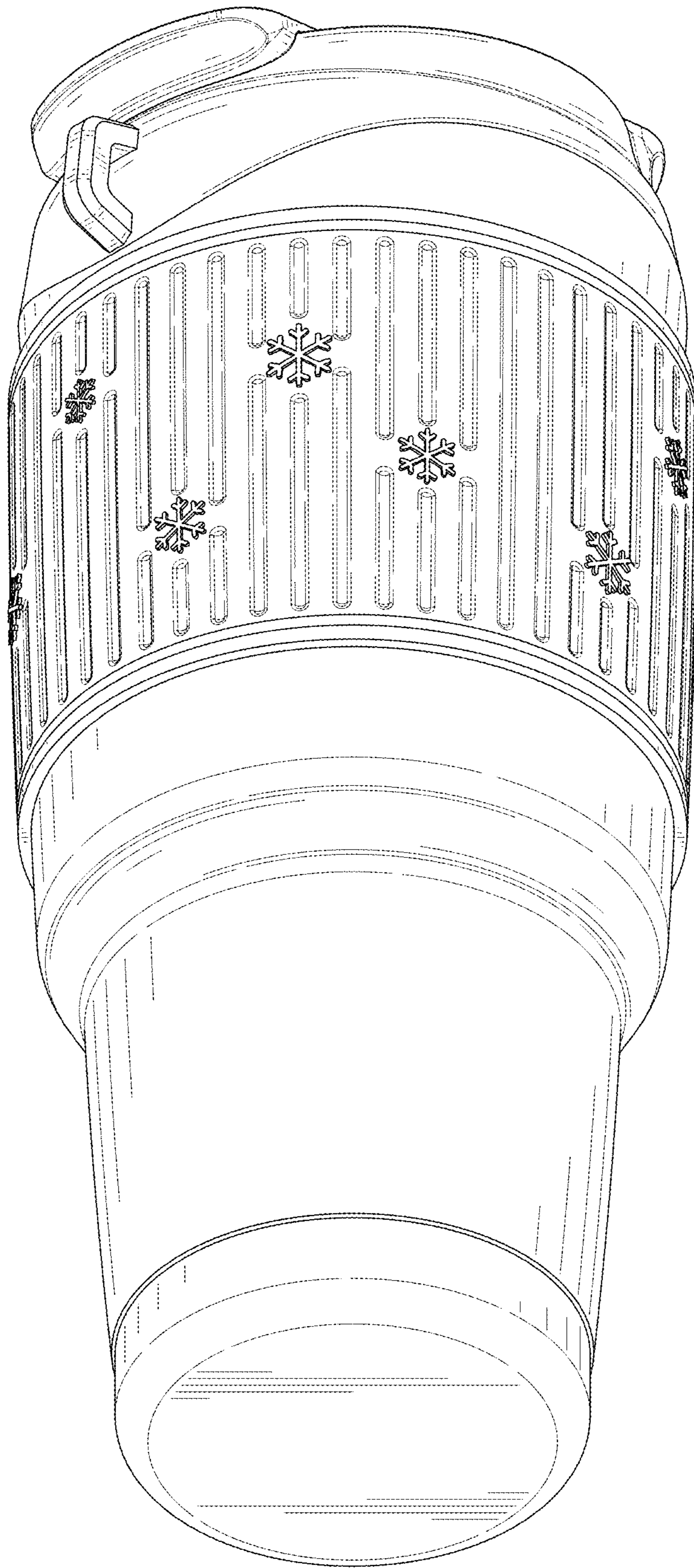


FIG. 2

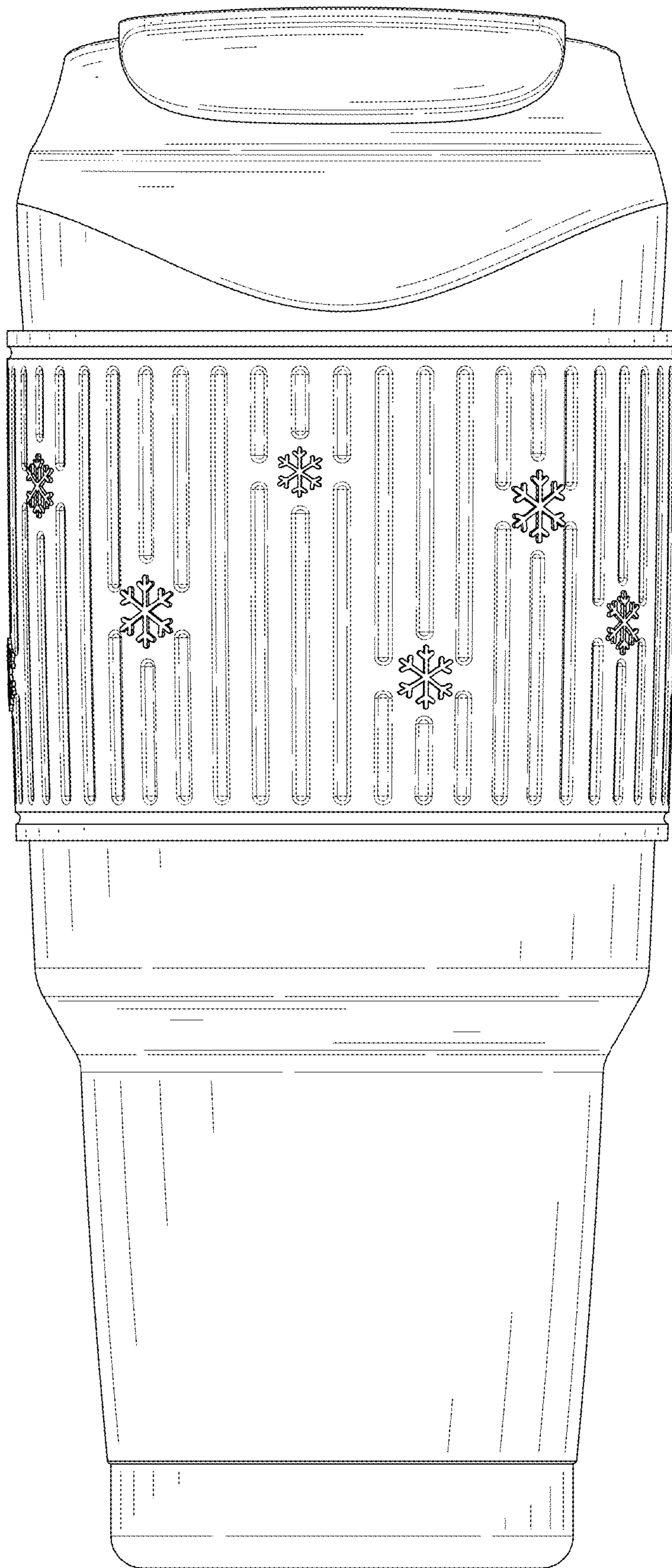


FIG. 3

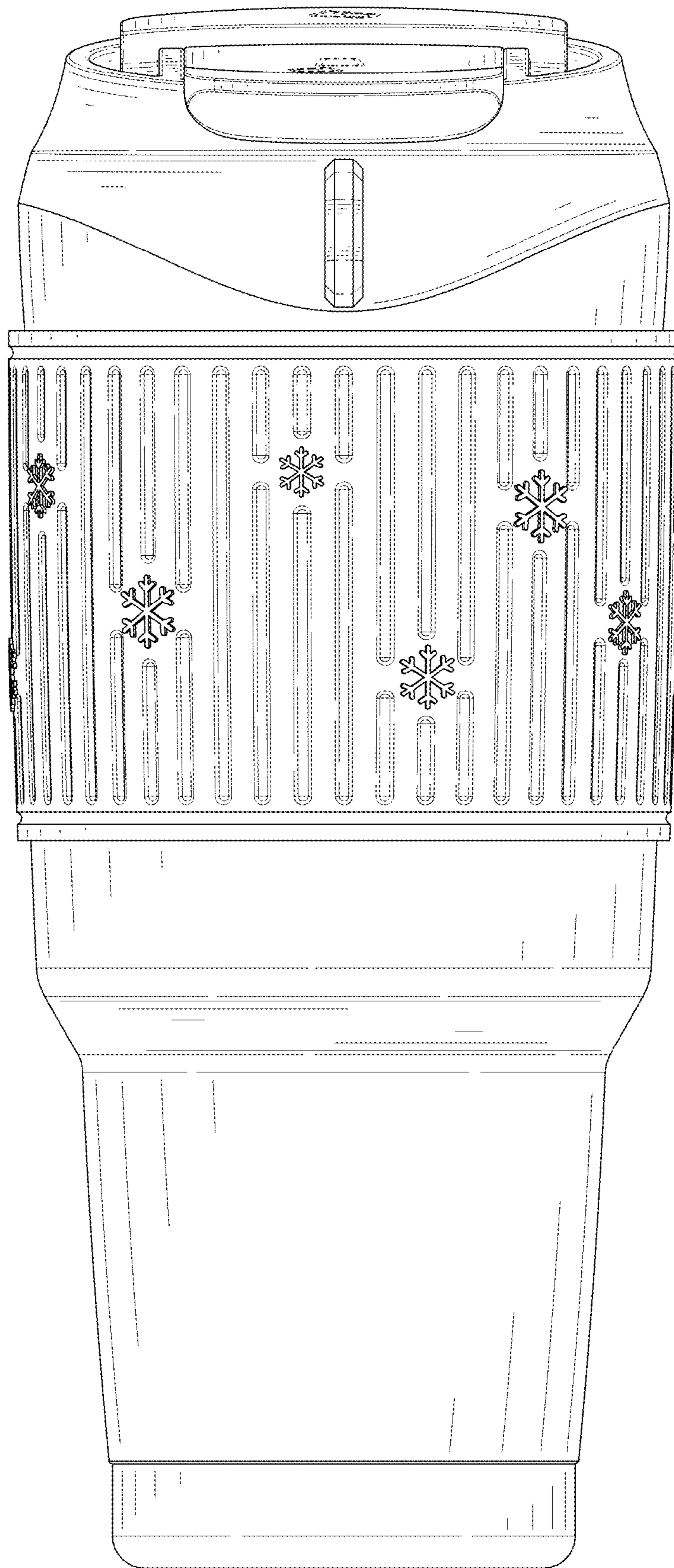


FIG. 4

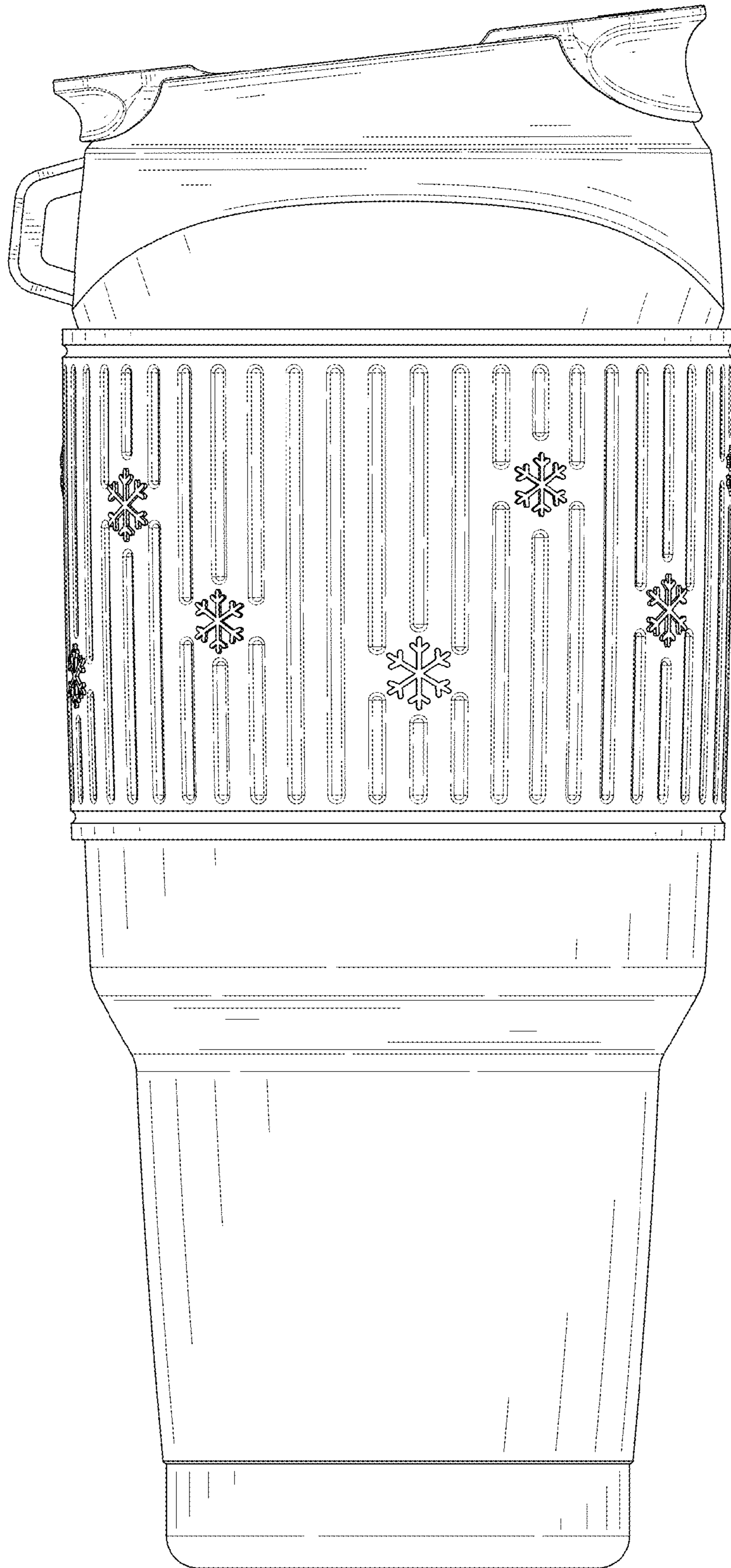


FIG. 5

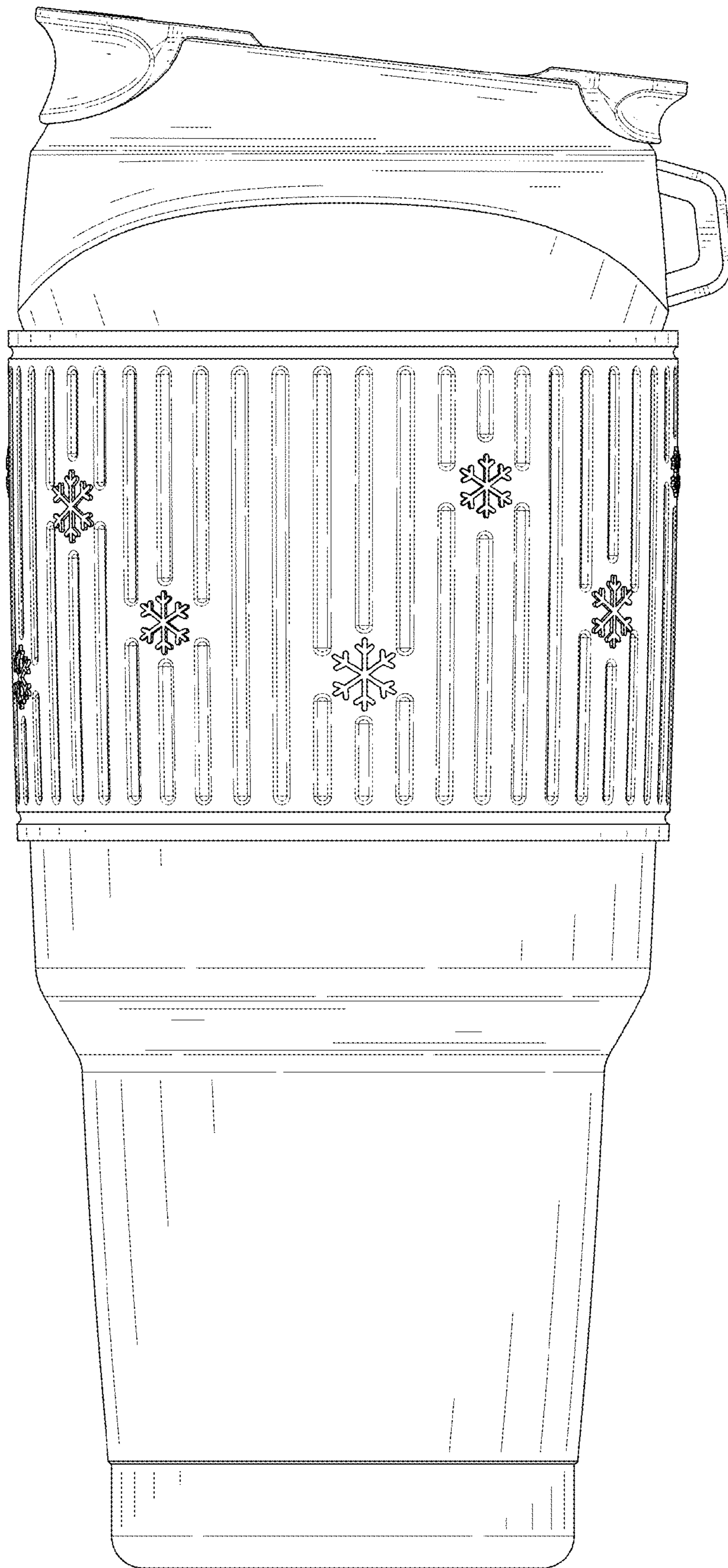


FIG. 6

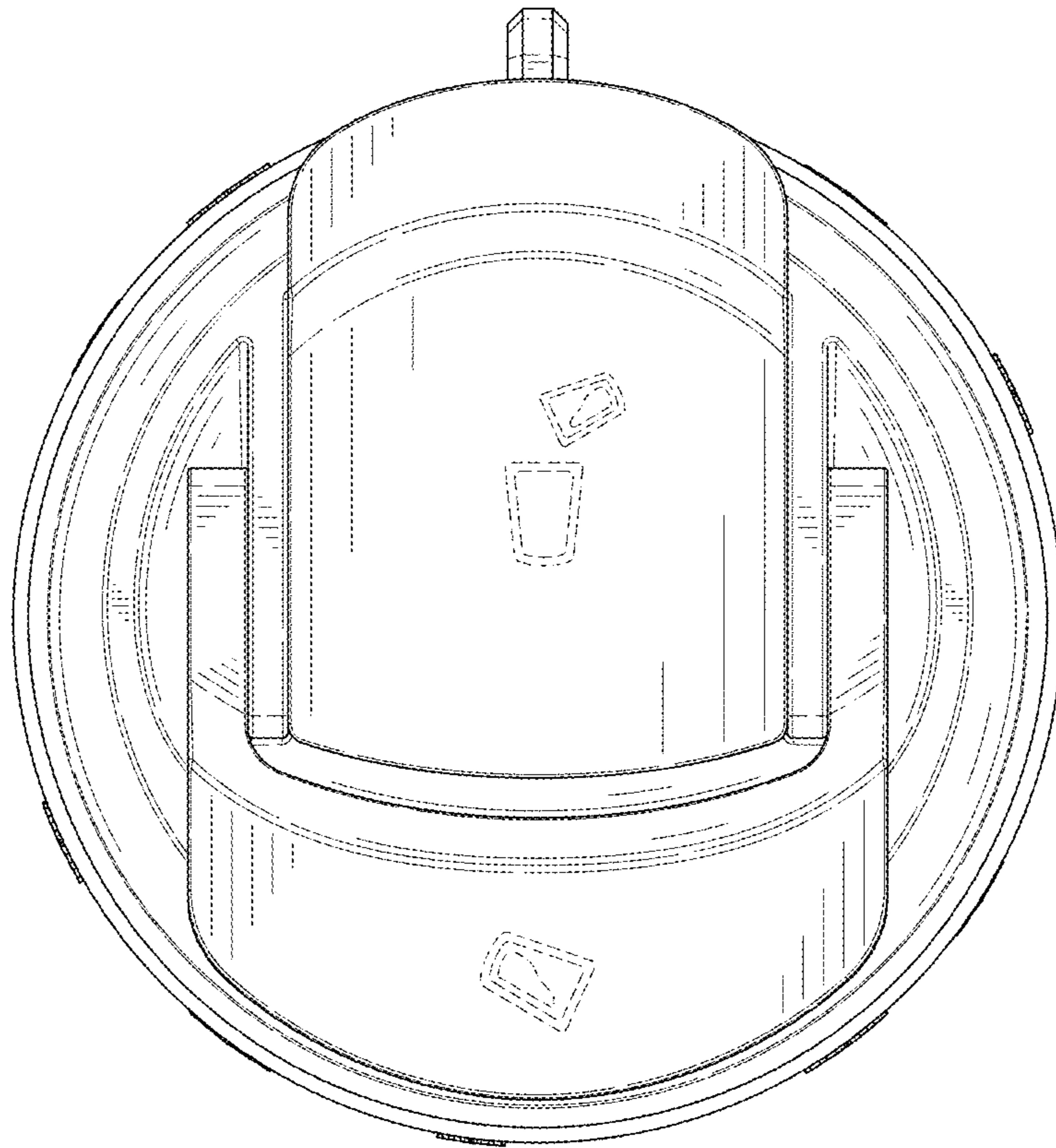


FIG. 7

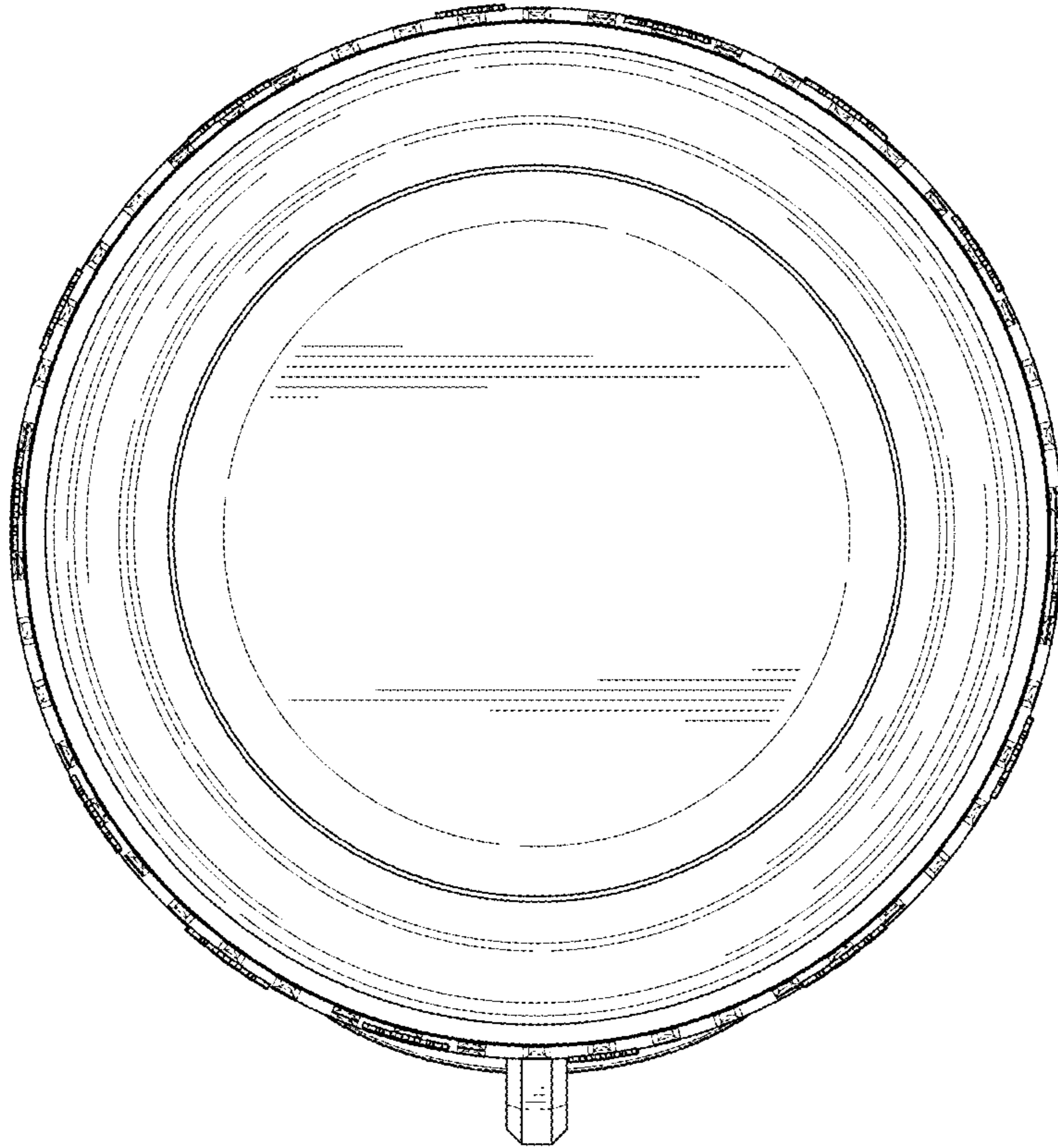


FIG. 8

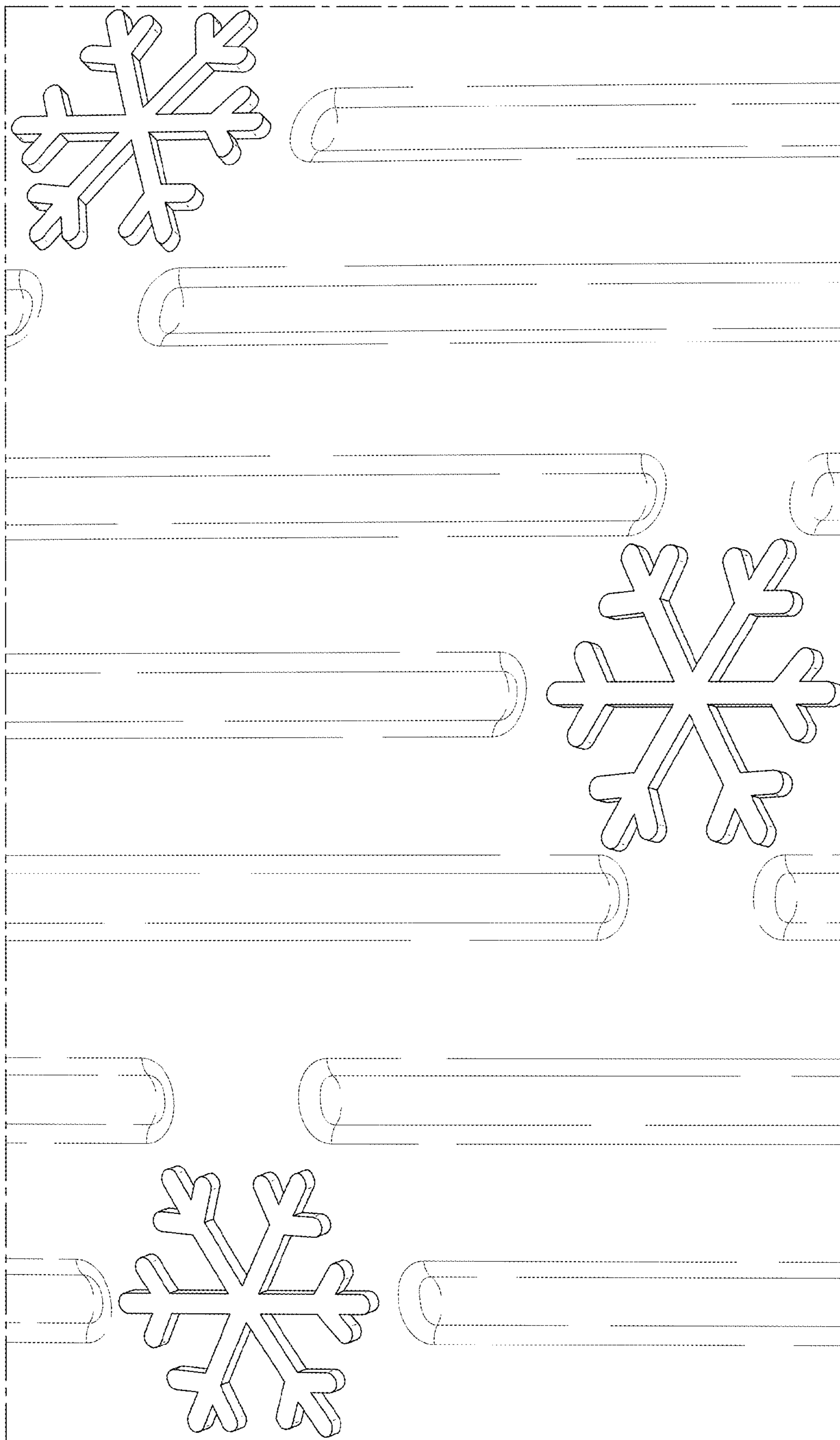


FIG. 9