



US00D970964S

(12) **United States Design Patent**
Tobias

(10) **Patent No.:** **US D970,964 S**

(45) **Date of Patent:** **** Nov. 29, 2022**

(54) **CUP WITH EXTERIOR THERMAL RIBBING**

3,606,262 A * 9/1971 Hoff B65D 1/265
D9/556

(71) Applicant: **Clarity, Inc.**, Los Angeles, CA (US)

3,655,111 A 4/1972 Surerus
3,674,512 A 7/1972 Andros

(72) Inventor: **Glenn Tobias**, Los Angeles, CA (US)

(Continued)

(73) Assignee: **CLARITY, INC.**, Los Angeles, CA
(US)

FOREIGN PATENT DOCUMENTS

(**) Term: **15 Years**

CA 1249232 1/1989
CN 2688176 Y 3/2005

(Continued)

(21) Appl. No.: **29/722,119**

OTHER PUBLICATIONS

(22) Filed: **Jan. 27, 2020**

<https://a.co/d/7w7lqvS> Feb. 25, 2021 (Year: 2021).*

(Continued)

Related U.S. Application Data

(62) Division of application No. 29/650,511, filed on Jun. 7, 2018, now Pat. No. Des. 873,613.

(51) **LOC (13) Cl.** **07-01**

(52) **U.S. Cl.**
USPC **D7/507; D7/510; D7/511**

(58) **Field of Classification Search**
USPC D7/507, 509, 510, 511, 523, 532, 533,
D7/536, 300.1, 608, 392.1, 396.2;
D9/435, 449; 220/200, 592.16, 592.17;
D3/202

CPC A47J 43/27; A47J 41/02; A47J 41/0077;
A47G 19/22; A47G 19/2288; A47G
19/2205

See application file for complete search history.

Primary Examiner — Jae Liang

(74) *Attorney, Agent, or Firm* — Cislo & Thomas, LLP

(57) **CLAIM**

The ornamental design for a cup with exterior thermal ribbing, as shown and described.

DESCRIPTION

FIG. 1 is a perspective view of a cup with exterior thermal ribbing showing my new design;

FIG. 2 is a right side view of the cup with exterior thermal ribbing.

FIG. 3 is a left side view of the cup with exterior thermal ribbing.

FIG. 4 is a front view of the cup with exterior thermal ribbing.

FIG. 5 is a back view of the cup with exterior thermal ribbing.

FIG. 6 is a top view of the cup with exterior thermal ribbing; and,

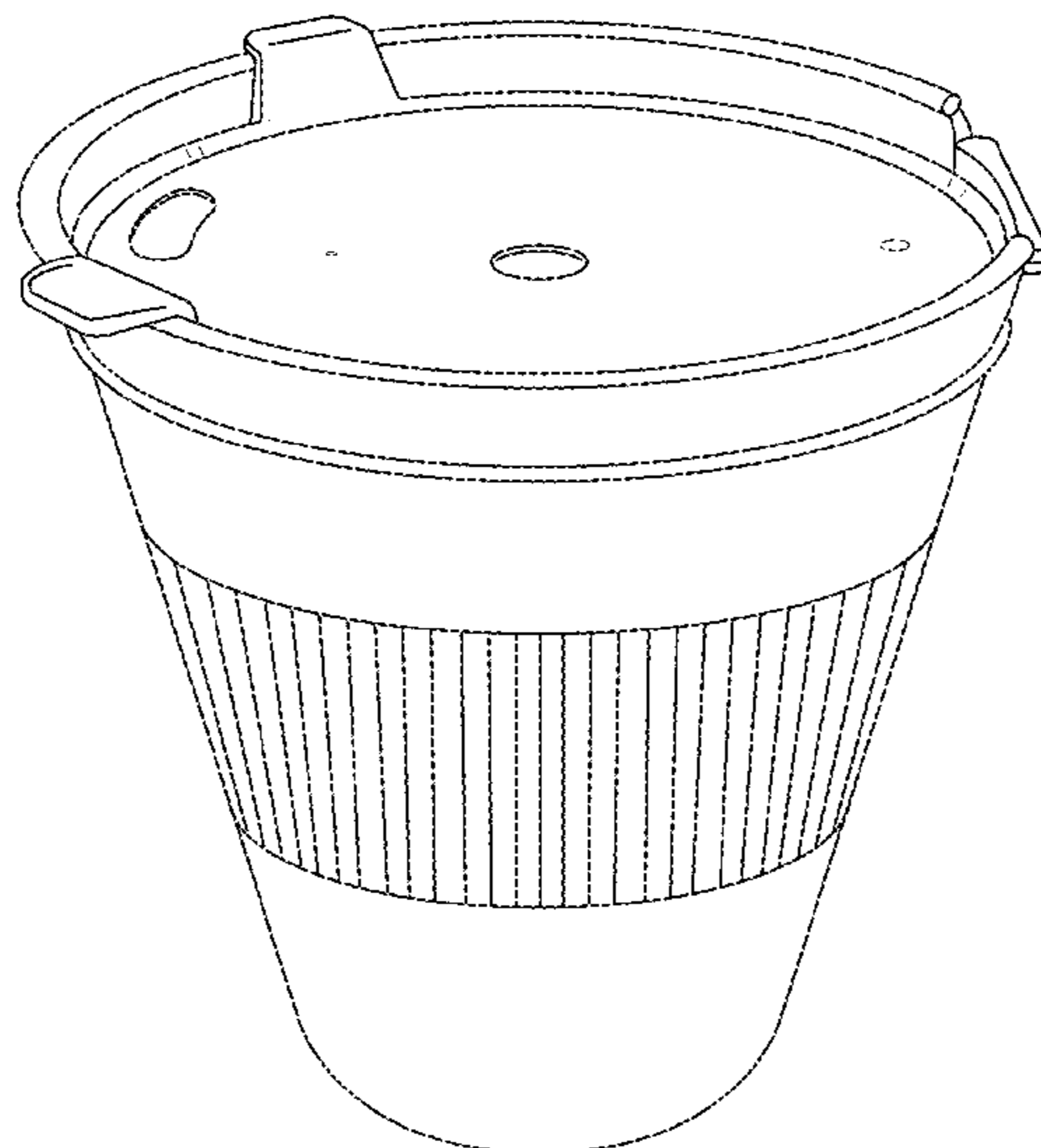
FIG. 7 is a bottom view of the cup with exterior thermal ribbing.

(56) **References Cited**

U.S. PATENT DOCUMENTS

1,203,195 A 10/1916 Hanshue
2,984,035 A * 5/1961 Nalle, Jr. B65D 11/16
215/386
3,137,431 A * 6/1964 Crouse B65D 3/02
D7/509
3,373,896 A 3/1968 Davis
D212,352 S * 10/1968 Davis D9/429
3,437,253 A * 4/1969 McDonald B65D 1/265
206/520

1 Claim, 7 Drawing Sheets



(56)

References Cited

U.S. PATENT DOCUMENTS

3,696,987 A 10/1972 Schuff et al.
D229,081 S 11/1973 Martinelli
3,820,684 A 6/1974 Harrison
4,076,123 A 2/1978 Davis
4,257,526 A 3/1981 Weits et al.
4,589,569 A 5/1986 Clements
4,640,435 A 2/1987 Dutt
D327,220 S 6/1992 Proffitt et al.
5,205,473 A * 4/1993 Coffin, Sr. B65D 81/3876
220/DIG. 30
5,270,011 A 12/1993 Altherr
5,312,011 A 5/1994 Fischer
D359,882 S 7/1995 Birge, Jr.
D373,927 S 9/1996 Kramer et al.
5,820,016 A 10/1998 Stropkay
5,897,019 A 4/1999 Stropkay
D417,845 S 12/1999 Sadlier et al.
D438,298 S 2/2001 McNutt
6,422,024 B1 7/2002 Foye
6,824,003 B1 11/2004 Wong
6,955,289 B2 10/2005 Green
7,124,910 B2 10/2006 Nordland
D543,777 S 6/2007 Seum et al.
D553,441 S * 10/2007 Mirpuri D7/509
D590,662 S 4/2009 Cheng
D591,595 S 5/2009 Tedford, Jr.
D592,056 S 5/2009 Tedford, Jr.
D610,875 S 3/2010 Wingfield et al.
D621,659 S * 8/2010 Liu D7/532
D642,862 S * 8/2011 Tobias D7/510
D642,863 S * 8/2011 Tobias D7/510
D642,864 S * 8/2011 Tobias D7/510
8,100,289 B1 * 1/2012 Tobias B65D 43/162
220/837
D657,670 S 4/2012 Folos et al.
D658,057 S 4/2012 Donat
D664,001 S 7/2012 Liu
D672,610 S 12/2012 Park et al.
8,336,732 B1 * 12/2012 Tobias B65D 1/265
220/837
D673,421 S 1/2013 Chiu et al.
8,360,262 B2 1/2013 Vovan
D683,186 S 5/2013 Tobias
D696,906 S * 1/2014 Roth B65D 43/0231
D7/510
D696,942 S 1/2014 Kim
D696,943 S 1/2014 Kim
D699,595 S 2/2014 Farrow et al.
8,684,223 B1 4/2014 Kalamaras
8,701,887 B2 4/2014 Baker et al.
8,701,914 B1 4/2014 Buck
8,870,010 B2 10/2014 Buck
D717,170 S 11/2014 Tan
D722,823 S 2/2015 Del Mar Menendez
D723,871 S * 3/2015 Khubani D7/505
9,114,917 B1 * 8/2015 Salem B65D 47/043
D749,363 S 2/2016 Tacker et al.
D755,013 S 5/2016 Khubani et al.
9,359,113 B2 6/2016 Chen
D763,039 S 8/2016 Ionov
D763,620 S 8/2016 Szymanski
D763,621 S 8/2016 Szymanski
D773,895 S 12/2016 Dai
D773,896 S 12/2016 Dai
D784,081 S 4/2017 Szymanski
D784,082 S 4/2017 Yao
D789,743 S 6/2017 Washburn et al.
D794,390 S 8/2017 Boettcher Sebben

D795,643 S 8/2017 Barlow
D795,651 S 8/2017 Cimmerer et al.
D815,489 S 4/2018 Yan et al.
D815,906 S * 4/2018 Yee D7/510
9,950,845 B2 4/2018 Hsieh
D816,429 S 5/2018 Bouveret
D820,480 S 6/2018 Kaliroff
D823,687 S 7/2018 Kelly
D826,039 S 8/2018 Vialle et al.
D841,462 S 2/2019 Dwork
D851,994 S 6/2019 Brady et al.
10,322,856 B2 6/2019 Giraud et al.
10,479,544 B2 * 11/2019 Crosby B65D 21/0209
D873,613 S * 1/2020 Tobias D7/532
D876,893 S * 3/2020 Xu D7/510
10,663,512 B2 5/2020 Wu et al.
D885,838 S * 6/2020 Tobias D7/532
D893,953 S * 8/2020 Tobias D7/532
D894,684 S * 9/2020 Kander D7/531
D911,109 S 2/2021 Johnson
10,947,018 B2 * 3/2021 Tobias B65D 1/265
11,254,473 B2 2/2022 Tobias
D946,352 S * 3/2022 Pape D7/509
2003/0052018 A1 3/2003 Wilson
2004/0178207 A1 9/2004 Kim
2005/0173507 A1 8/2005 Green
2005/0189361 A1 9/2005 Bresler
2006/0071008 A1 4/2006 Sadlier
2006/0289549 A1 12/2006 Vovan
2007/0169506 A1 7/2007 Heuschober
2007/0228134 A1 10/2007 Cook et al.
2008/0006643 A1 1/2008 Ma
2008/0035658 A1 2/2008 Caulfield et al.
2009/0071967 A1 * 3/2009 Park B65D 81/3865
220/592.2
2011/0068114 A1 3/2011 Colby
2011/0180552 A1 7/2011 Sarson
2011/0303678 A1 12/2011 Zomorodi
2011/0309093 A1 12/2011 Buck
2012/0024877 A1 * 2/2012 Tobias B65D 43/162
220/810
2012/0125931 A1 * 5/2012 Roth B65D 43/0231
220/254.3
2012/0174795 A1 7/2012 Uspenski et al.
2015/0014333 A1 1/2015 Greer
2015/0083791 A1 * 3/2015 Gonzalez B65D 3/06
29/428
2015/0225146 A1 8/2015 Paz Luis
2016/0083151 A1 3/2016 Stahlecker
2017/0096281 A1 4/2017 Tiesberger et al.
2017/0362001 A1 12/2017 Buck

FOREIGN PATENT DOCUMENTS

CN 205125818 U 4/2016
EP 2762418 6/2014
JP 2000043915 2/2000
JP 2010517882 5/2010
JP 1436977 3/2012
WO 2013034289 3/2013

OTHER PUBLICATIONS

<https://www.amazon.com/Insulated-Ripple-Paper-Coffee-Stirrers/dp/B07WHZFYN5?th=1> Aug. 15, 2019 (Year: 2019).
<https://www.amazon.com/EcoQuality-Plastic-Condiment-Containers-Attached/dp/B07HKRJ29Q>; retrieved Aug. 22, 2022 (Year: 2018).
<https://www.amazon.com/PlastiMade-Clear-Disposable-Plastic-Portion/dp/B07ZRZ957Q>; retrieved Aug. 23, 2022 (Year: 2021).

* cited by examiner

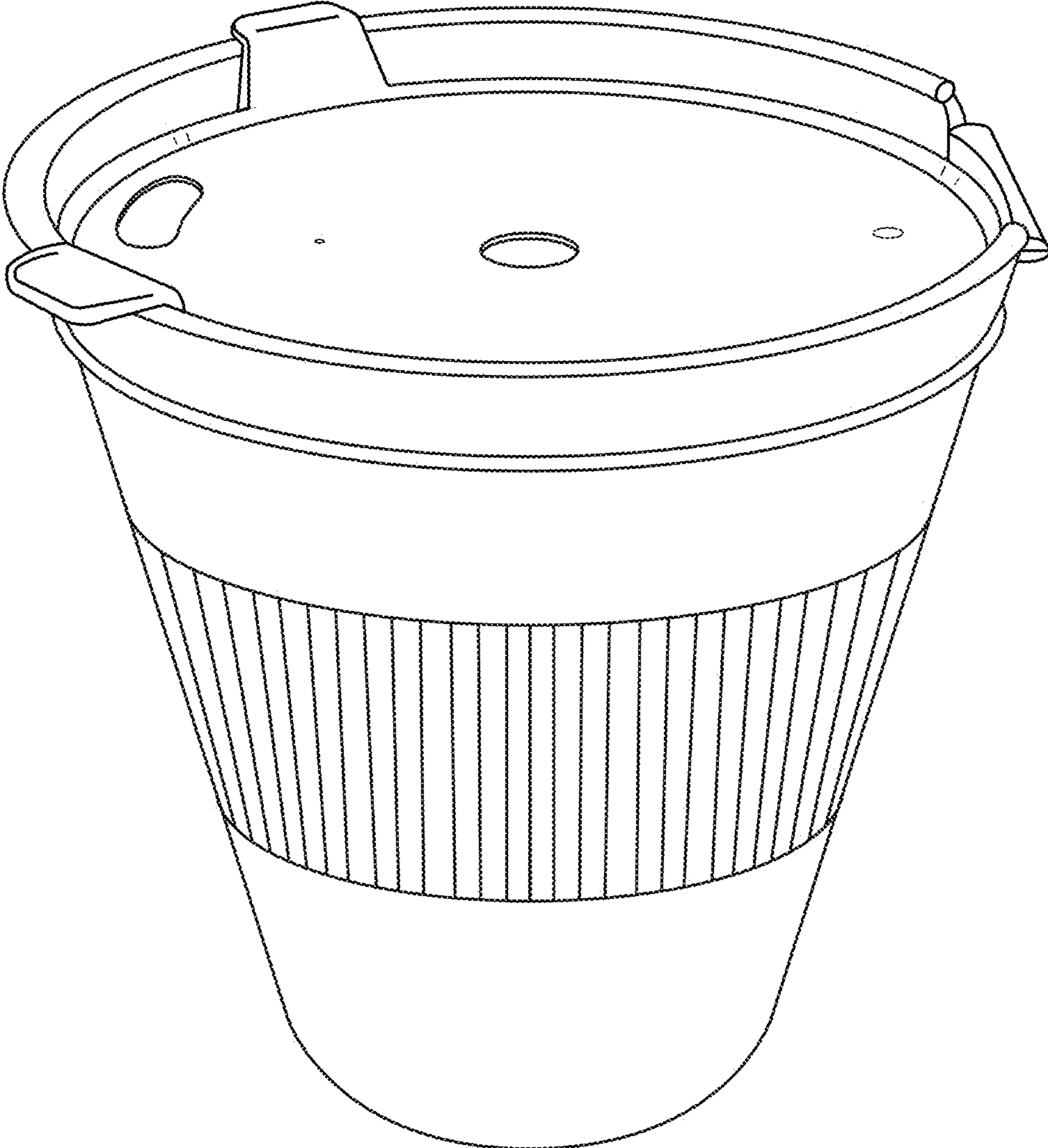


Fig. 1

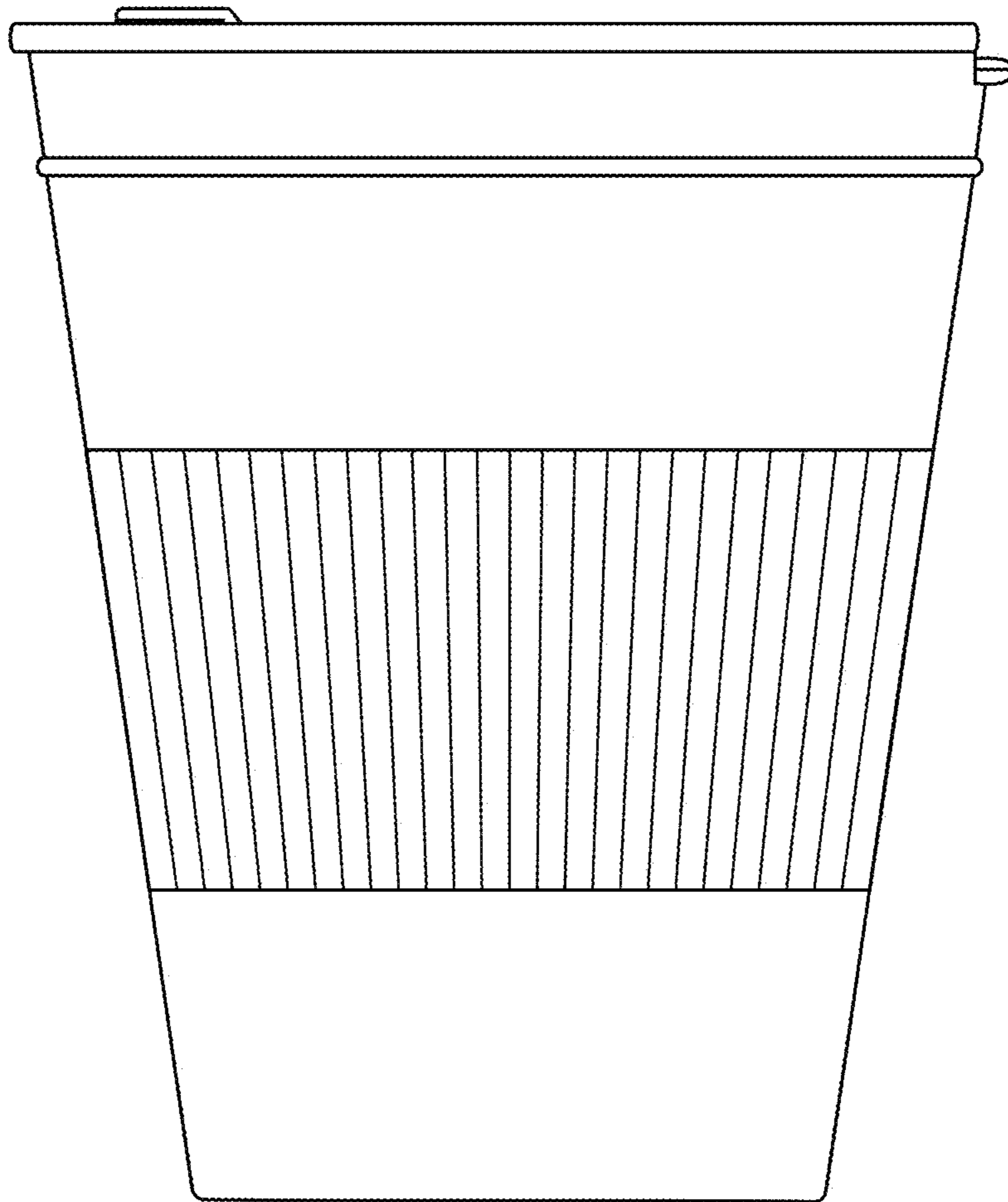


Fig. 2

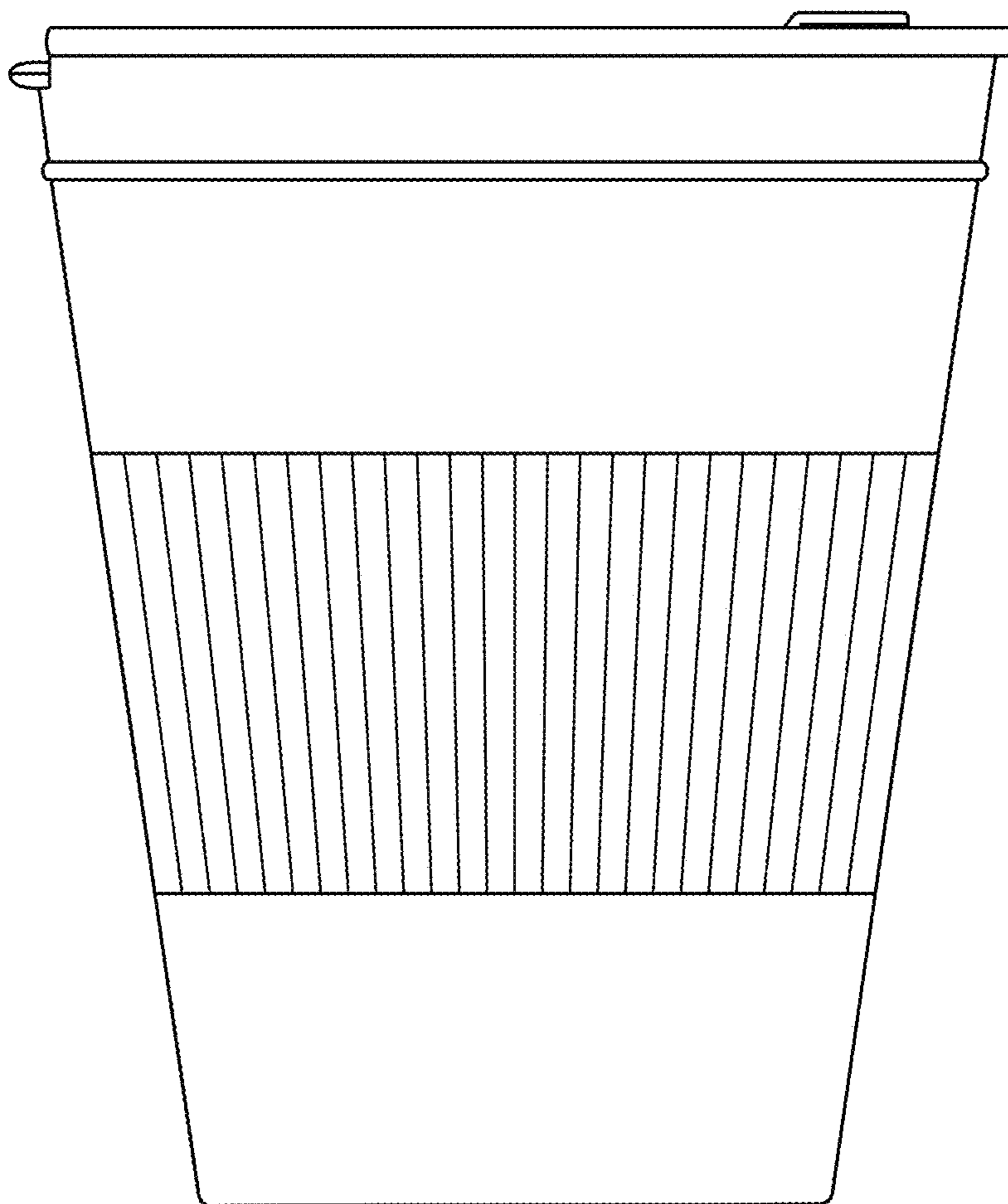


Fig. 3

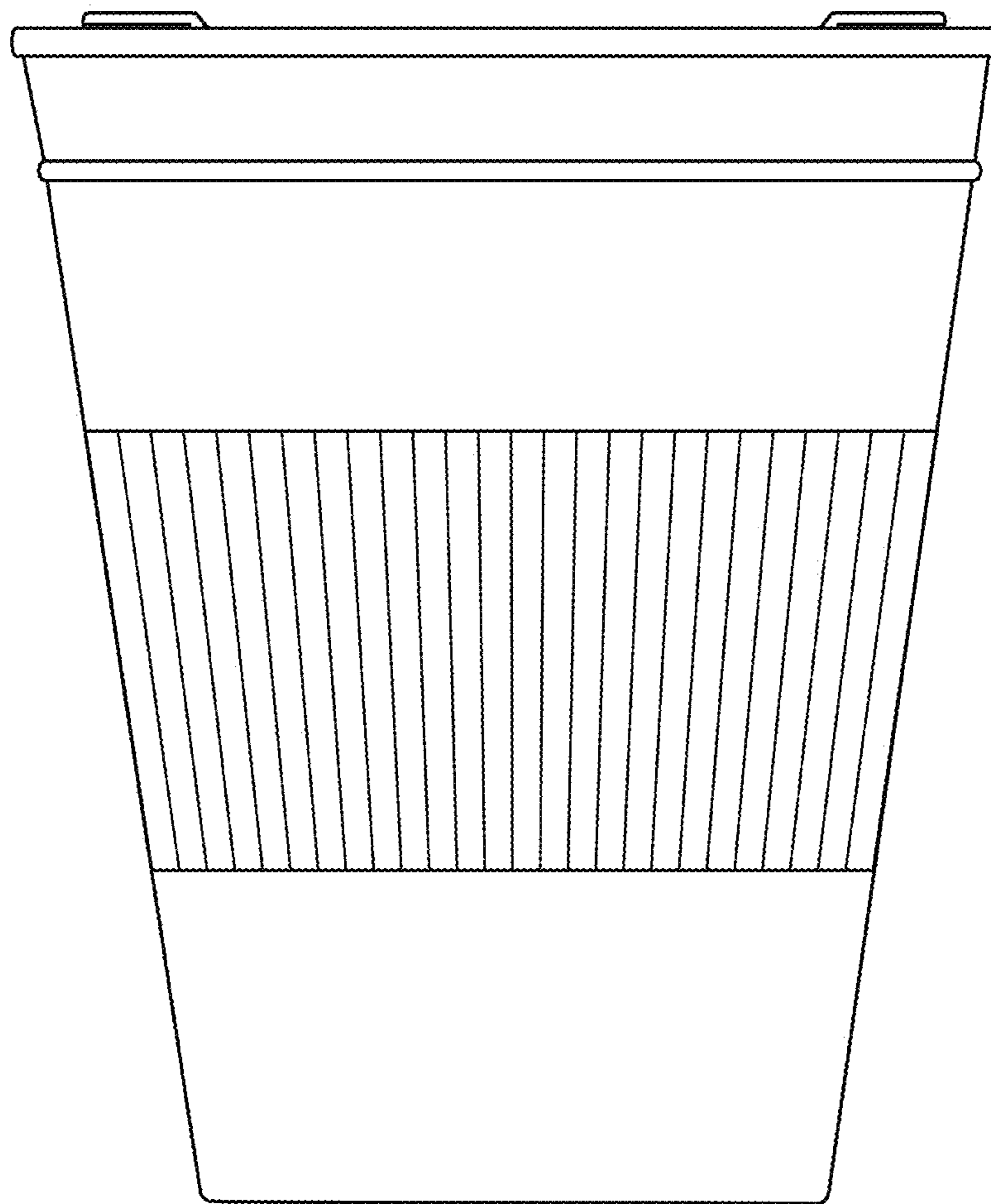


Fig. 4

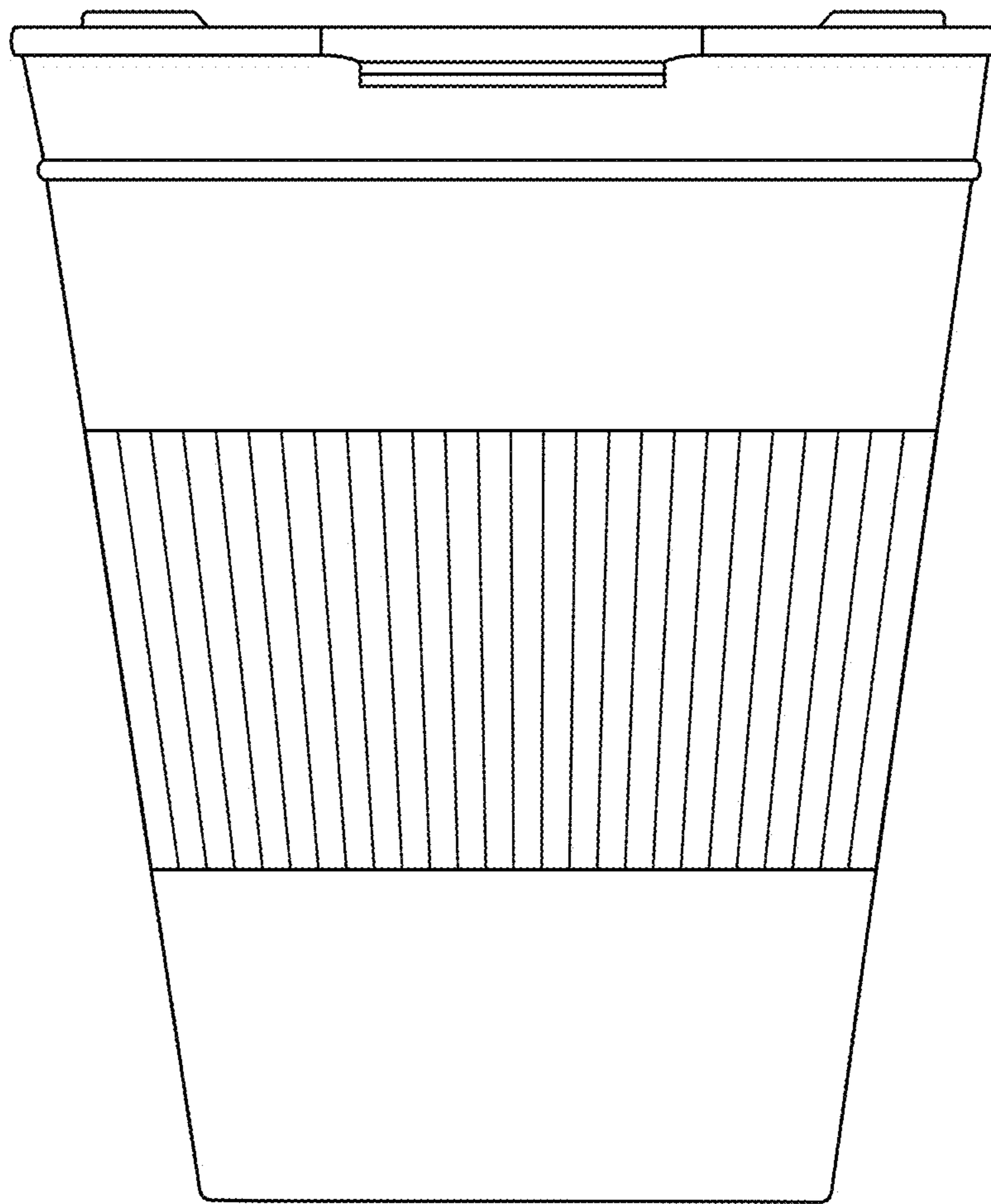


Fig. 5

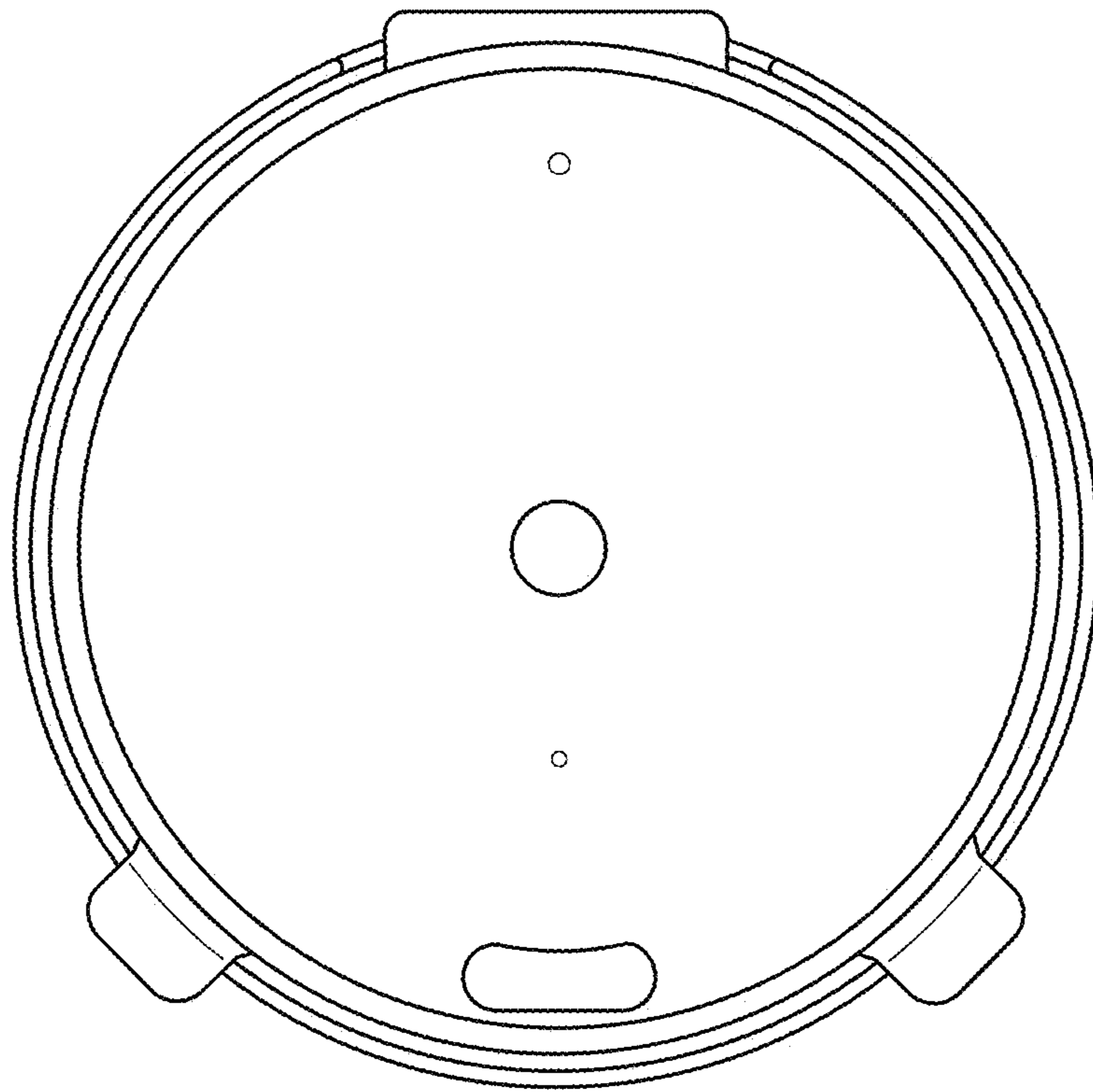


Fig. 6

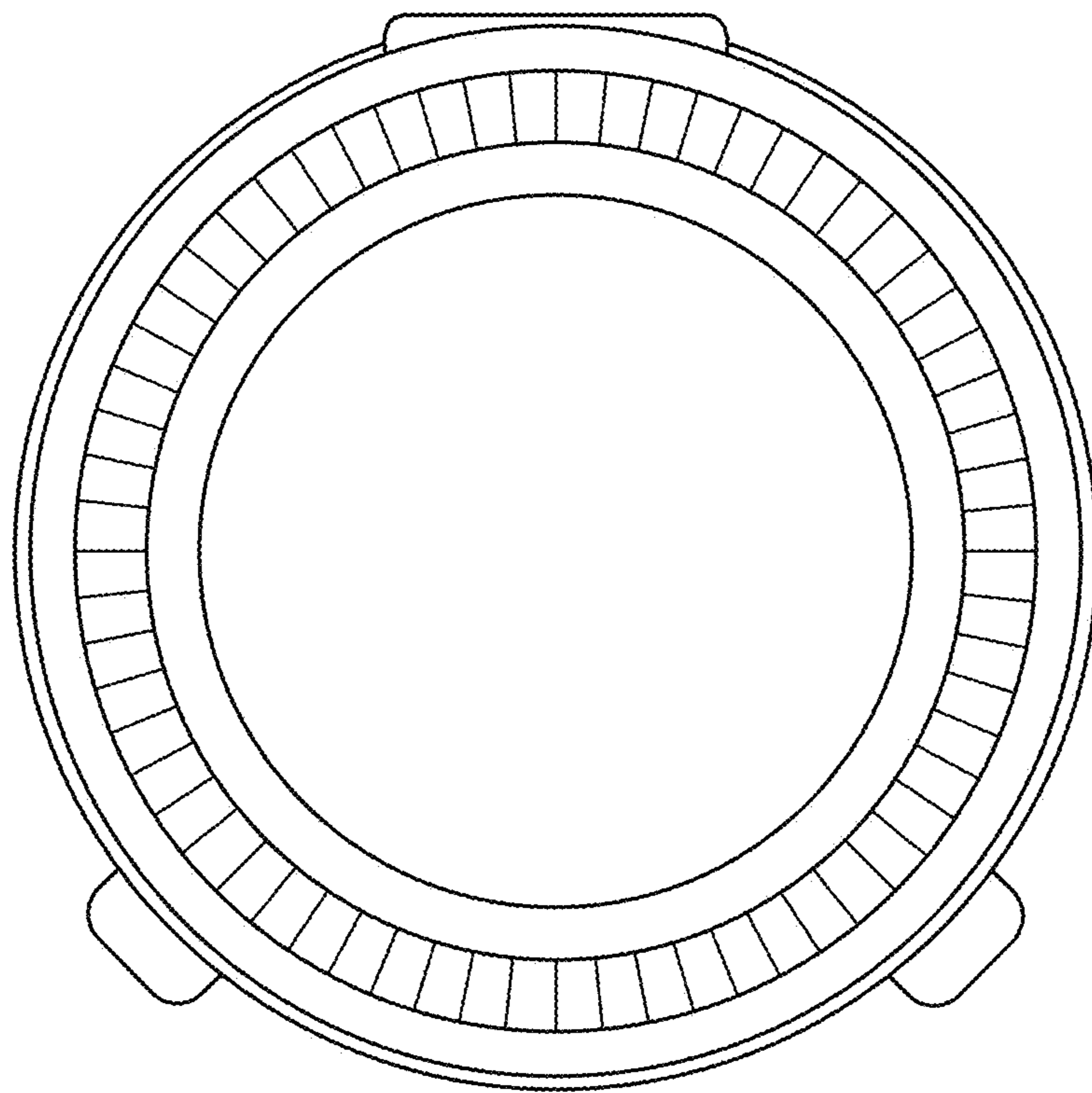


Fig. 7