



US00D970963S

(12) **United States Design Patent** (10) **Patent No.:** **US D970,963 S**
Dai (45) **Date of Patent:** **** Nov. 29, 2022**

(54) **ROTATABLE TRAY** 3,384,260 A * 5/1968 Buffington A47G 23/06
D7/557
(71) Applicant: **ShenZhen YiHong Technology Co., LTD, Guangdong (CN)** D212,109 S * 8/1968 Taylor D7/614
D213,718 S * 4/1969 Bliss D7/610
D214,391 S * 6/1969 Weiss 229/407
(72) Inventor: **Yi Dai, ShenZhen (CN)** 3,608,739 A * 9/1971 Duboff A47F 5/05
211/40

(Continued)

(73) Assignee: **ShenZhen YiHong Technology CO., LTD, ShenZhen (CN)**

(**) Term: **15 Years**

(21) Appl. No.: **29/843,124**

(22) Filed: **Jun. 17, 2022**

(51) **LOC (13) Cl.** **07-01**

(52) **U.S. Cl.**
USPC **D7/501**

(58) **Field of Classification Search**
USPC D7/549, 555, 553.8, 553.1, 550.1, 553.5,
D7/553.6, 554.2, 566, 552.1, 501, 554.1,
D7/590, 600.2, 610, 602, 500, 540, 558;
220/23.8; 53/411; 206/505, 217;
493/55; D6/677; 108/142
CPC A47G 19/065; A47J 47/16; A47B 49/004;
A47B 11/00

See application file for complete search history.

(56) **References Cited**

U.S. PATENT DOCUMENTS

777,492 A * 12/1904 Bruebach A47B 11/00
108/142
1,344,900 A * 6/1920 Juresisin A47B 11/00
108/142
D78,783 S * 6/1929 Piperoux D7/554.1
1,781,015 A * 11/1930 Keipp A47B 11/00
108/142
2,118,326 A * 5/1938 Richardson, Jr. A47G 23/03
248/346.11
2,951,593 A * 9/1960 Lake A47F 5/02
108/103
D195,683 S * 7/1963 Quistgaard et al. D7/554.1

OTHER PUBLICATIONS

“Turntable Organizer Kitchen, 11 inch Rotating Round Lazy Susan Cabinet Organizer for Pantry, Countertop—Clear Plastic” by “Nature Sound 20” (see attached print out). No date available. Site visited on Jun. 17, 2022, with the following link https://www.amazon.com/Turntable-Organizer-Kitchen-Rotating-Countertop/dp/B08ZSPK1YD/ref=psdc_3743971_t3_B0931VYK2R.

Primary Examiner — Cynthia R Underwood
(74) *Attorney, Agent, or Firm* — iPA & iPM

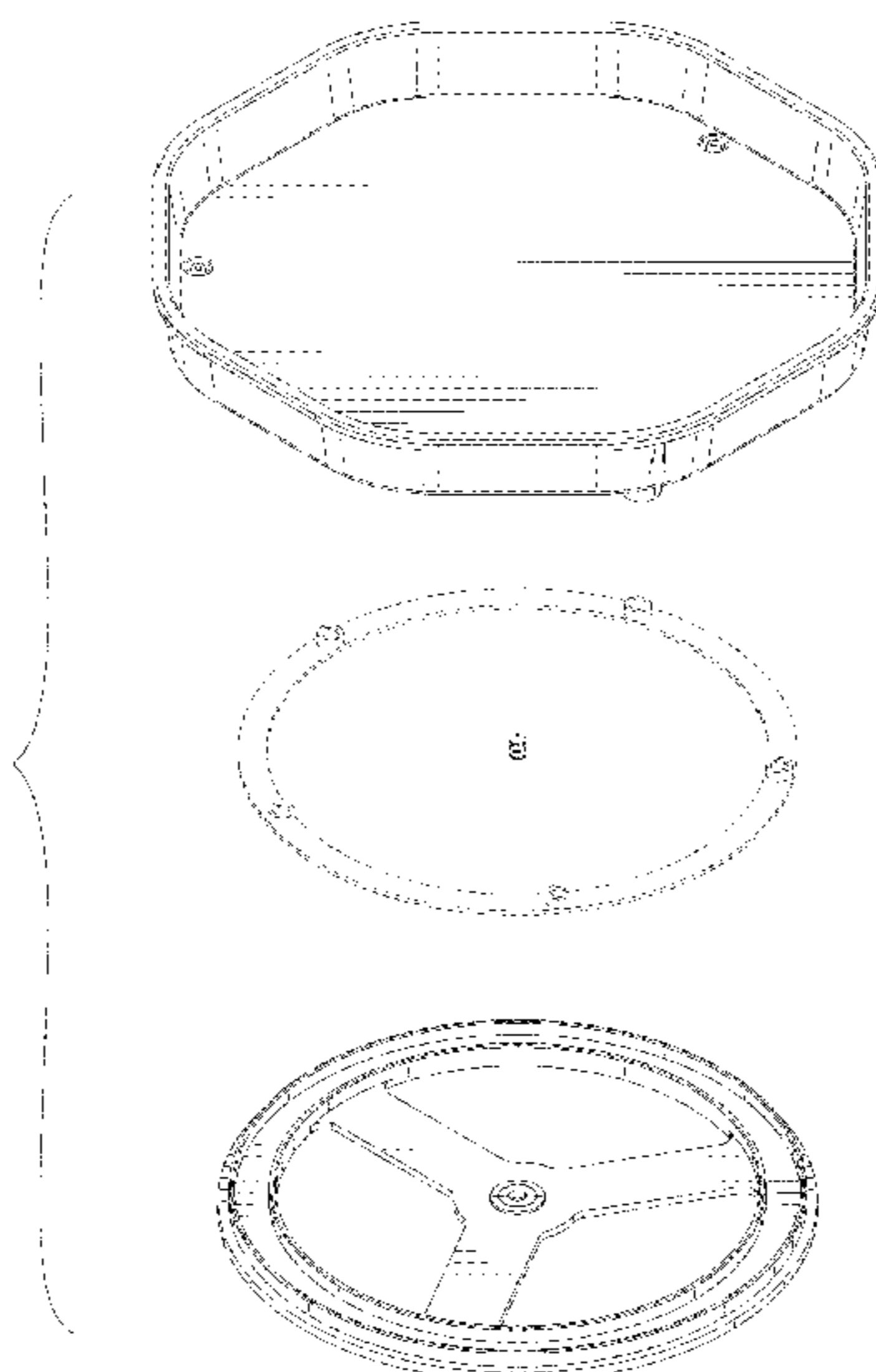
(57) **CLAIM**

The ornamental design for a rotatable tray, as shown and described.

DESCRIPTION

FIG. 1 is a perspective view of a rotatable tray showing my new design;
FIG. 2 is a perspective bottom view thereof;
FIG. 3 is a front view thereof;
FIG. 4 is a back view thereof;
FIG. 5 is a left side view thereof;
FIG. 6 is a right side view thereof;
FIG. 7 is a top view thereof;
FIG. 8 is a bottom view thereof;
FIG. 9 is a perspective exploded view from above thereof; and,
FIG. 10 is a perspective exploded bottom view thereof.
Broken lines illustrate environmental elements and/or portions of the rotatable tray that form no part of the claimed design.

1 Claim, 8 Drawing Sheets



(56)

References Cited

U.S. PATENT DOCUMENTS

3,972,419 A * 8/1976 Short A47G 23/08
211/131.1
4,359,159 A * 11/1982 Pollard B65D 85/36
D7/610
D286,130 S * 10/1986 Bowen D7/402
4,814,568 A * 3/1989 Keefer B65D 81/3453
426/243
D316,752 S * 5/1991 Ricketts D24/226
D322,011 S 12/1991 Asner
D323,446 S * 1/1992 Morse D6/680.1
5,564,669 A * 10/1996 Wu F16M 11/42
248/656
D380,937 S * 7/1997 Beckerman D7/554.1
D416,769 S 11/1999 Morgan
6,161,333 A * 12/2000 Poston A01G 9/02
47/86
6,463,946 B1 * 10/2002 Wu F16M 13/02
211/163
D465,350 S 11/2002 Byrne
D513,933 S * 1/2006 Glander D7/554.1
D540,121 S * 4/2007 Littlejohn D7/553.7
D541,589 S * 5/2007 Littlejohn D7/553.7

D572,733 S * 7/2008 Ota D15/138
D576,838 S 9/2008 Wong
D601,856 S * 10/2009 Pancza D7/564
D660,326 S 5/2012 Allette
8,356,953 B2 * 1/2013 Sagel A47B 49/004
211/144
8,544,390 B1 10/2013 Bahnsen
9,054,476 B1 6/2015 Reynolds
9,107,493 B2 * 8/2015 Pan A47B 13/088
D775,873 S * 1/2017 Burnett A47G 1/164
D6/677.2
D795,311 S 8/2017 Kraemer
D817,076 S * 5/2018 Dugan D7/354
D859,936 S * 9/2019 Buck D7/629
D868,511 S * 12/2019 McBride D6/677.1
D894,686 S 9/2020 Nagawkar
D908,429 S * 1/2021 Tsukii D7/501
D910,348 S * 2/2021 Snell D6/677
D914,412 S * 3/2021 Angeles D6/677
D925,983 S * 7/2021 Han D7/610
D936,420 S 11/2021 Shackelford
D936,421 S * 11/2021 Li D7/501
2003/0196978 A1 * 10/2003 Humphrey A47F 5/02
211/144
2008/0134551 A1 6/2008 Conforti et al.

* cited by examiner

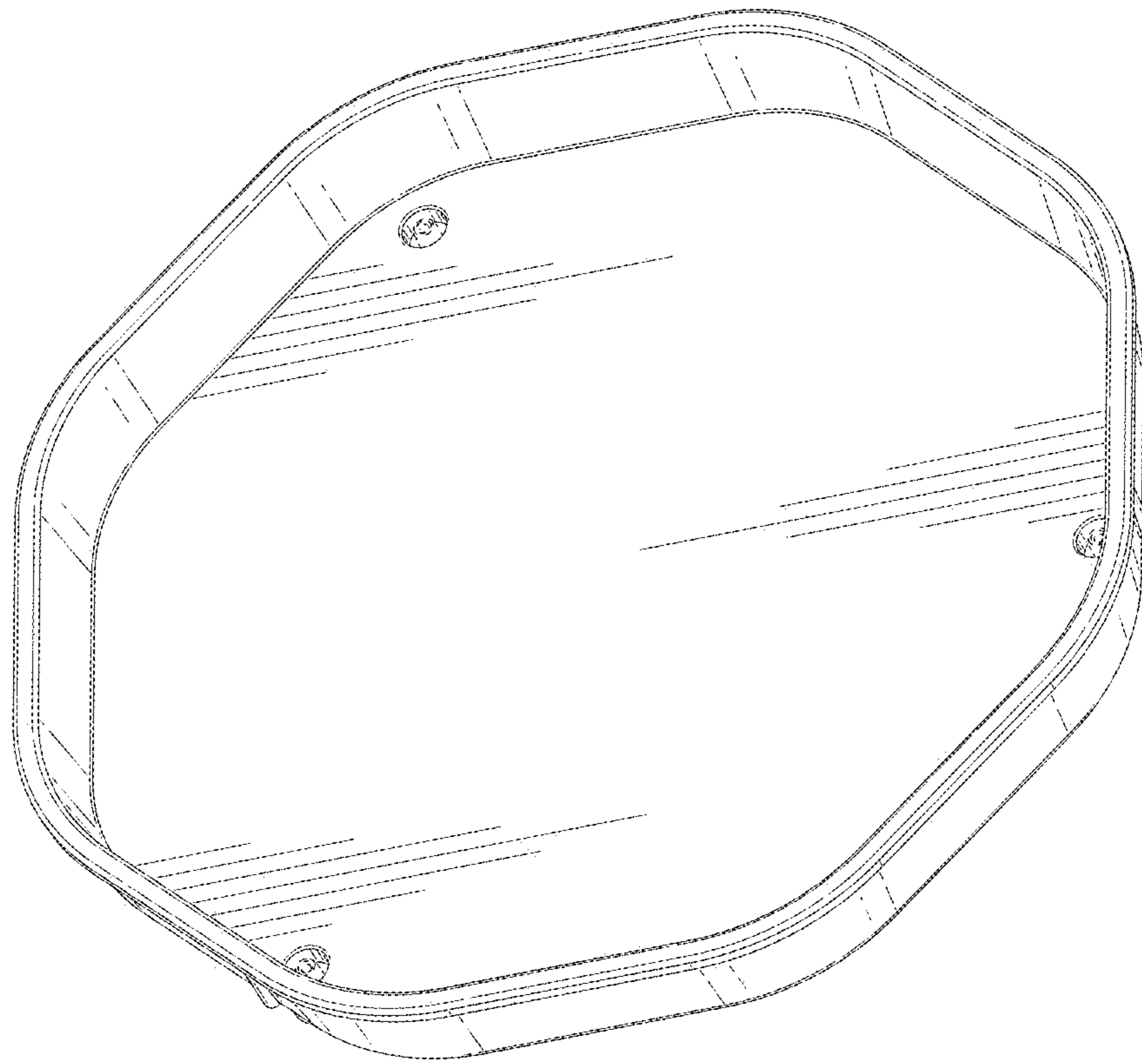


FIG. 1

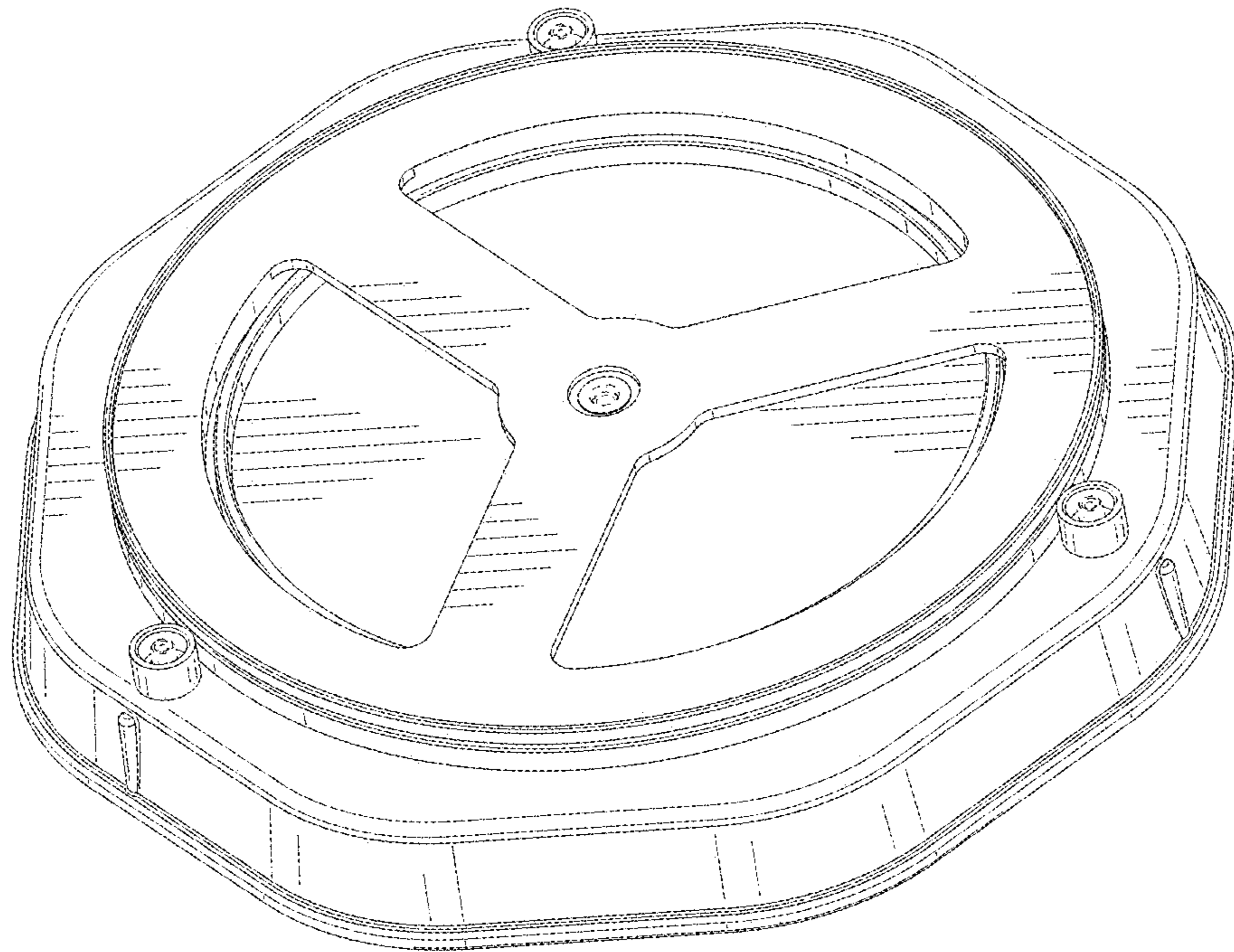


FIG. 2

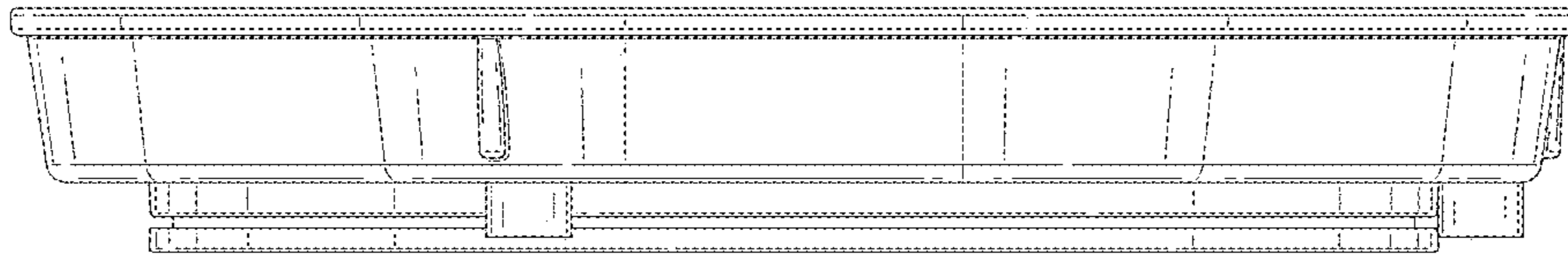


FIG. 3

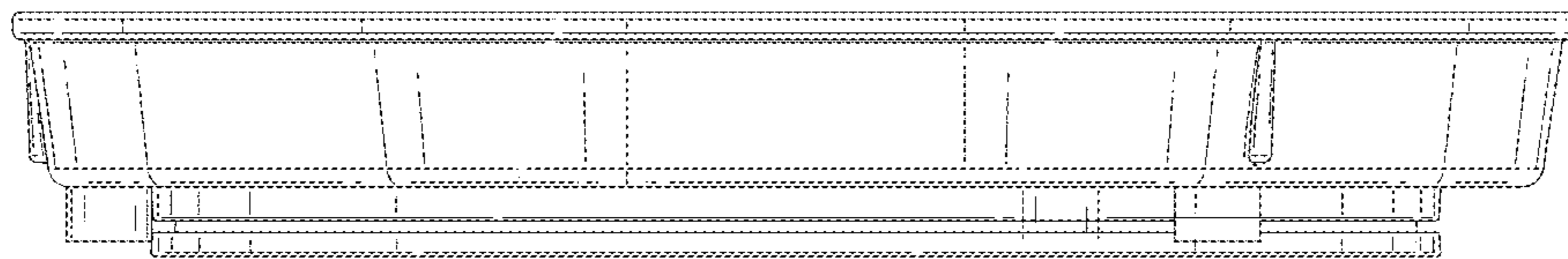


FIG. 4

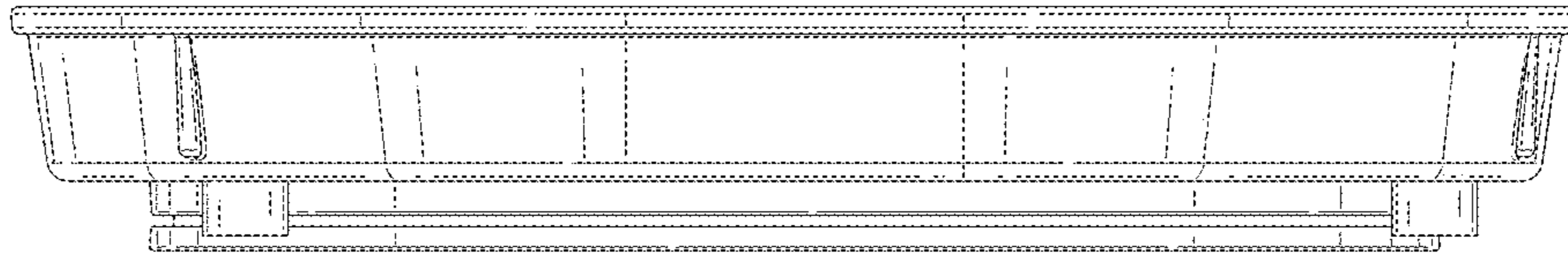


FIG. 5

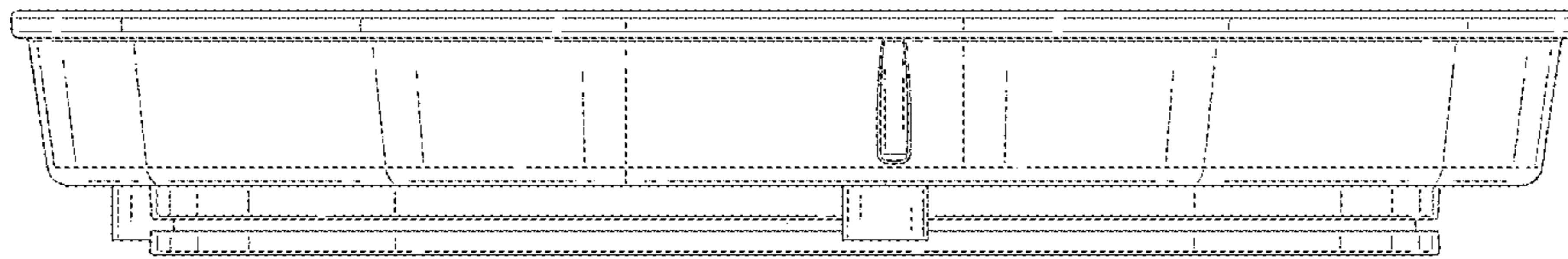


FIG. 6

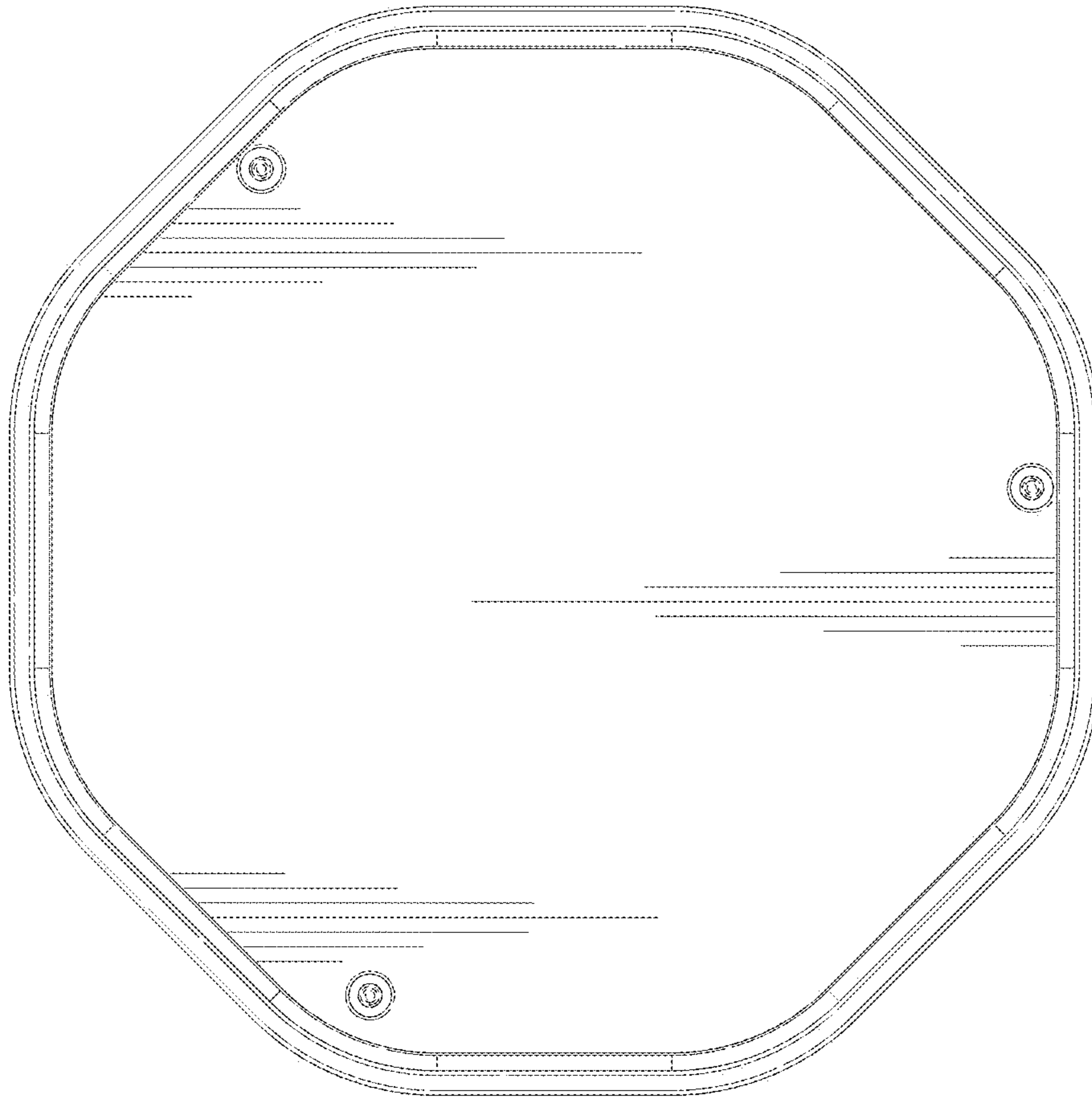


FIG. 7

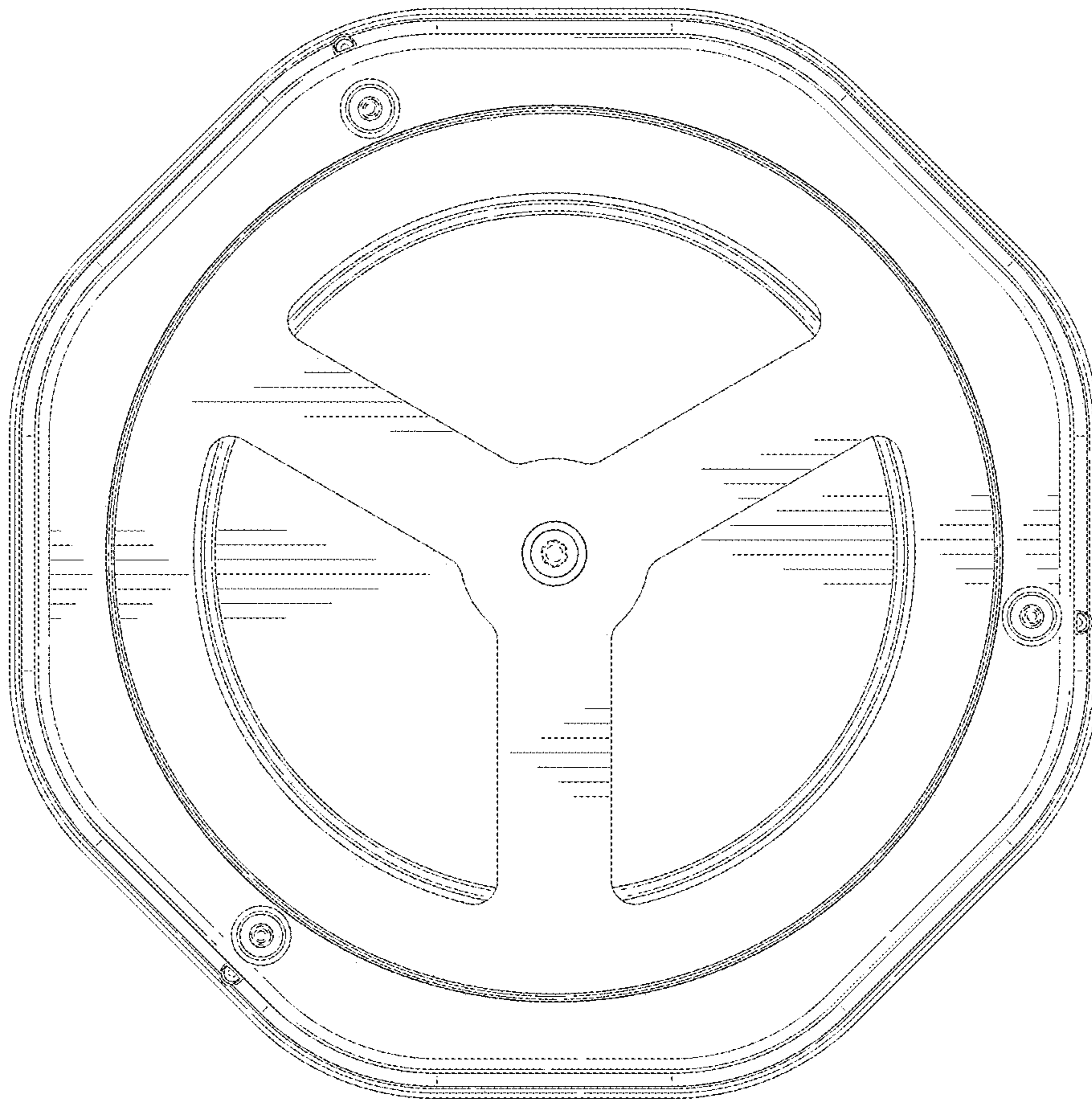


FIG. 8

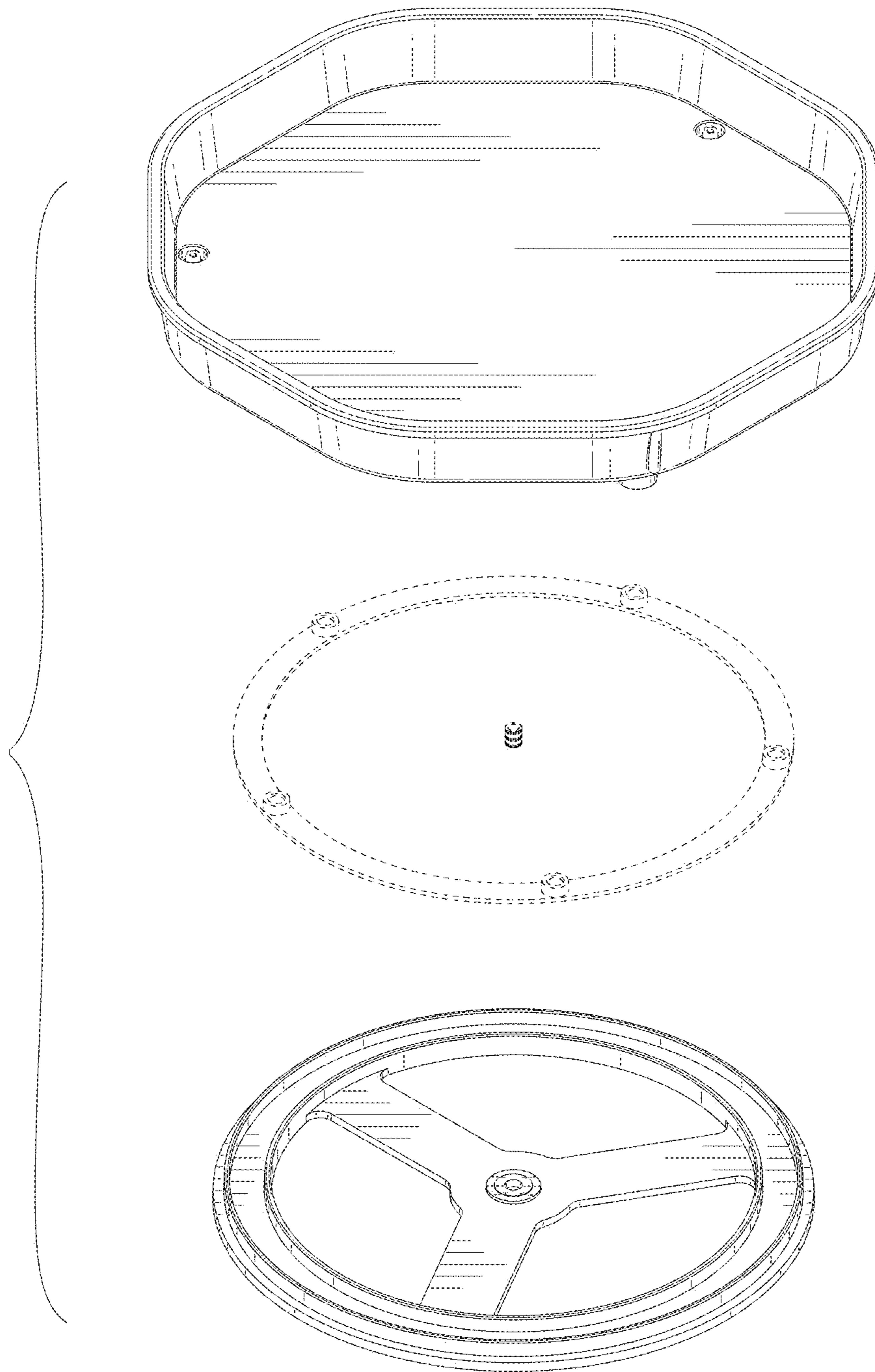


FIG. 9

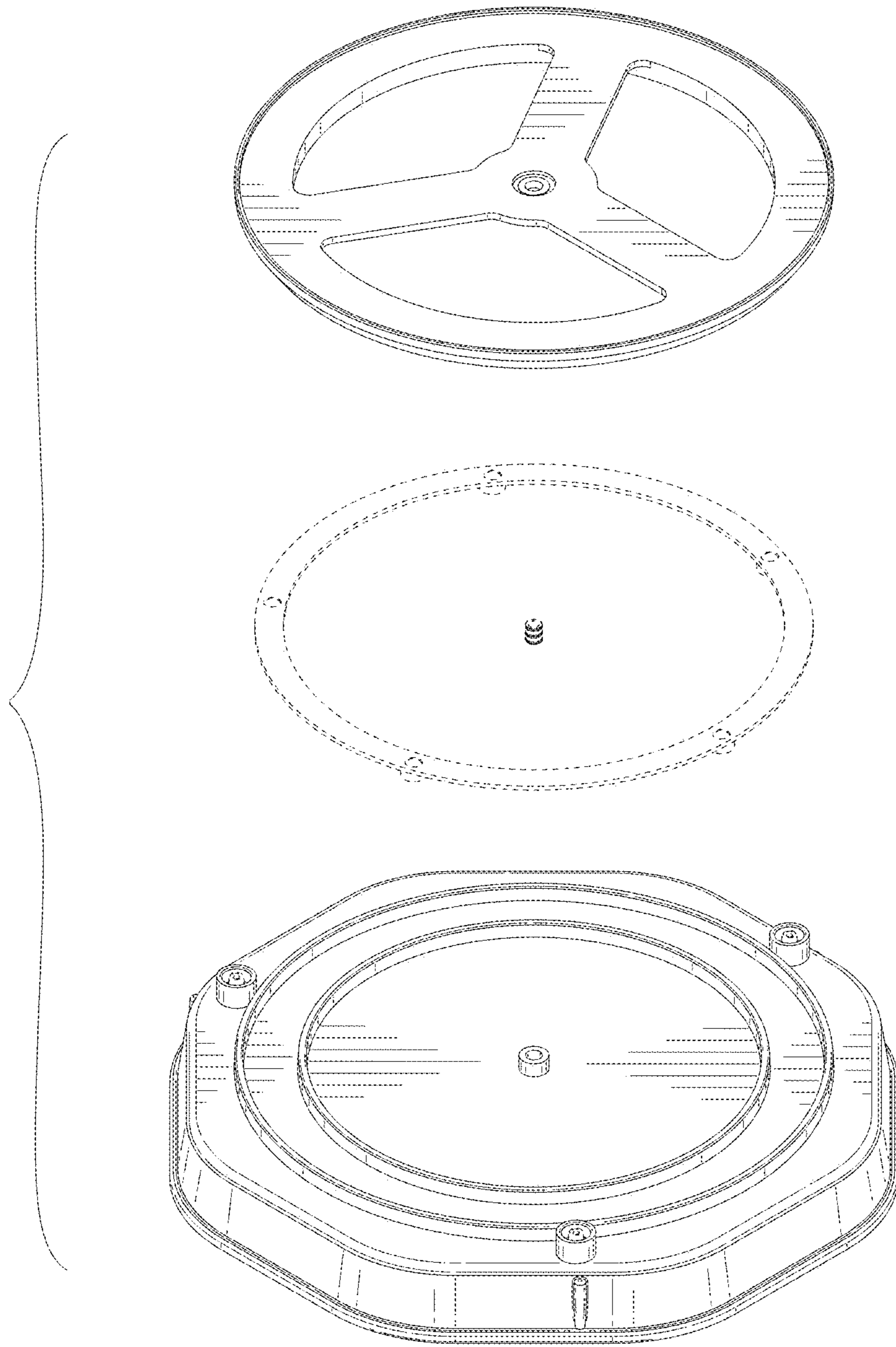


FIG.10