



US00D970962S

(12) **United States Design Patent** (10) **Patent No.:** **US D970,962 S**  
**George** (45) **Date of Patent:** **\*\* Nov. 29, 2022**

(54) **PELLET GRILL CART**  
(71) Applicant: **Darren George**, Pasadena, MD (US)  
(72) Inventor: **Darren George**, Pasadena, MD (US)

(\*\*) Term: **15 Years**

(21) Appl. No.: **29/754,968**

(22) Filed: **Oct. 15, 2020**

(51) **LOC (13) Cl.** ..... **07-02**

(52) **U.S. Cl.**  
USPC ..... **D7/403**

(58) **Field of Classification Search**  
USPC ..... D7/323, 332-339, 387, 402-406, 408,  
D7/409; D21/523, 524; D23/335, 337,  
D23/339, 343, 345  
CPC ..... A47J 37/00; A47J 37/06; A47J 37/0647;  
A47J 37/0658; A47J 37/07-0754; A47J  
37/0763; A47J 37/0781; A47J 37/0786;  
A47J 2037/0777; A47J 2037/0795

See application file for complete search history.

(56) **References Cited**

**U.S. PATENT DOCUMENTS**

D87,667 S \* 8/1932 Lovejoy ..... D7/403  
4,788,905 A \* 12/1988 Von Kohorn ..... A47J 37/0781  
454/189  
5,086,752 A \* 2/1992 Hait ..... A47J 37/0704  
126/25 R  
D410,173 S \* 5/1999 Best ..... D7/332  
D632,865 S \* 2/2011 Wright ..... D34/12  
D719,778 S \* 12/2014 Fails ..... D7/334  
D770,833 S \* 11/2016 Lira-Nunez ..... A47J 37/1219  
D7/332  
D790,270 S \* 6/2017 Lira-Nunez ..... A47J 37/0704  
D7/334  
D846,348 S \* 4/2019 Nilssen ..... D7/403

D890,570 S \* 7/2020 Lira-Nunez ..... A47J 37/0781  
D7/403  
2002/0112718 A1\* 8/2002 Johnson ..... A47J 37/0781  
126/25 R  
2017/0164787 A1\* 6/2017 Freret ..... A47J 37/1219

**OTHER PUBLICATIONS**

DRG Custom Carts Bullseye build, first available Mar. 7, 2018, YouTube, [online], [site visited May 19, 2022], Available from internet URL: <https://www.youtube.com/watch?v=5w6ybx1bejU> (Year: 2018).\*

(Continued)

*Primary Examiner* — Mary Ann Calabrese  
*Assistant Examiner* — Natalya M Rapundalo  
(74) *Attorney, Agent, or Firm* — Quickpatents, LLC;  
Kevin Prince

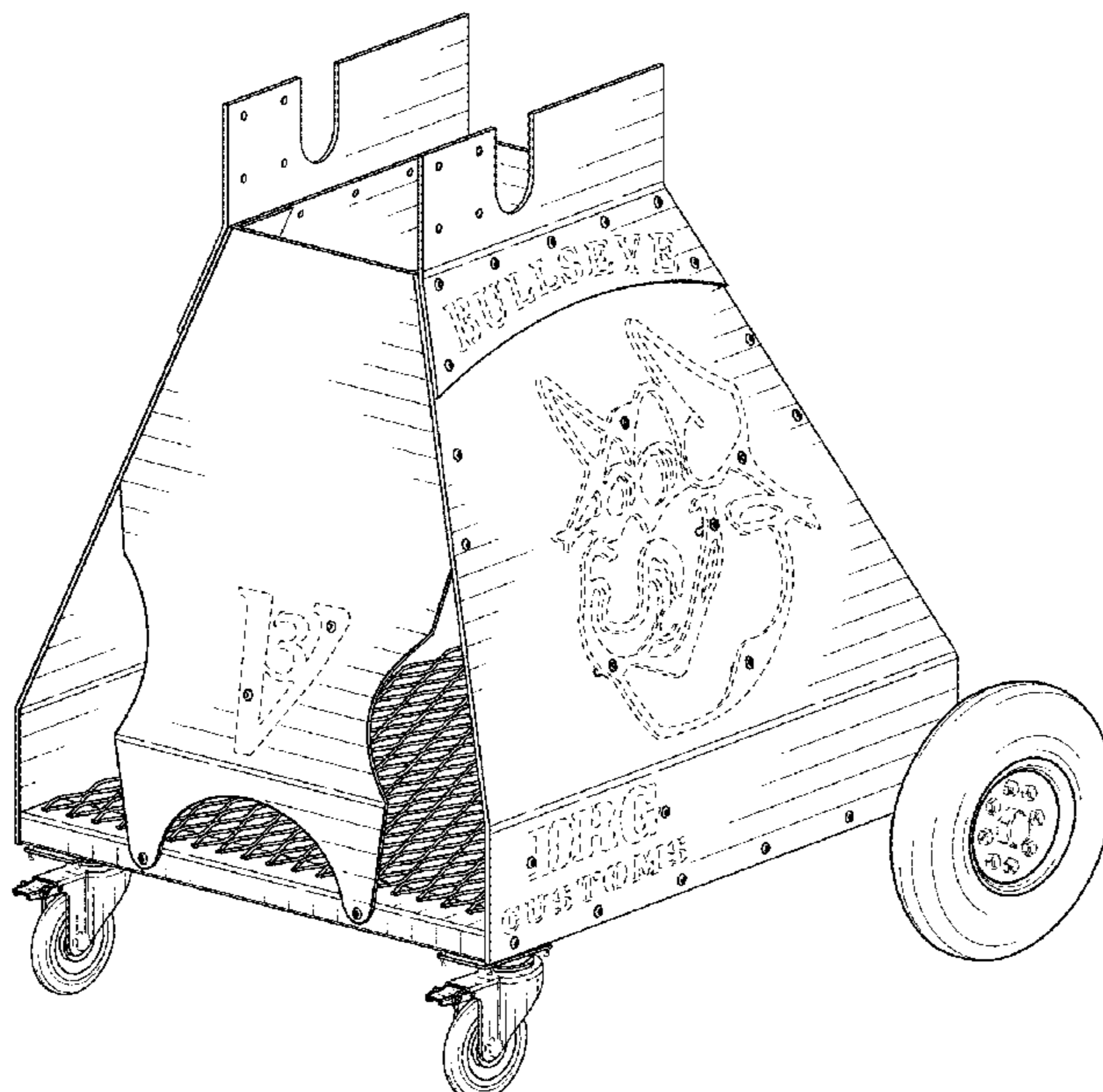
(57) **CLAIM**

The ornamental design for a pellet grill cart, as shown and described.

**DESCRIPTION**

FIG. 1 is a front perspective view of a pellet grill cart, showing my new design with a pellet feeder and a pellet grill mounted thereto in broken lines;  
FIG. 2 is an alternate front perspective view thereof, illustrated with the pellet feeder and the pellet grill omitted;  
FIG. 3 is a bottom perspective view thereof;  
FIG. 4 is a front elevational view thereof;  
FIG. 5 is a rear elevational view thereof;  
FIG. 6 is a right-side elevational view thereof;  
FIG. 7 is a left-side elevational view thereof;  
FIG. 8 is a top plan view thereof; and,  
FIG. 9 is a bottom plan view thereof.  
The broken lines in the figures depict a pellet feeder, a pellet grill, and portions of the pellet grill cart and form no part of the claimed design.

**1 Claim, 9 Drawing Sheets**



(56)

**References Cited**

OTHER PUBLICATIONS

V-4 Signature Series Cart, first available Nov. 15, 2021, YouTube, [online], [site visited May 19, 2022], Available from internet URL: <https://www.youtube.com/watch?v=7dHzDtEA9E&t=2s> (Year: 2021).\*

Bullseye Grill V-4 Signature Series Comp Cart, DRG Custom Fabrications, [online], [site visited May 19, 2022], Available from internet URL: <https://drgcustomcarts.us/products/v-4-signature-all-in-one-comp-cart-coming-in-mid-november> (Year: 2022).\*

V-4 Bullseye Grill Custom Cart, DRG Custom Fabrications, [online], [site visited May 19, 2022], Available from internet URL: <https://drgcustomcarts.us/products/v-4-bullseye-grill-custom-cart> (Year: 2022).\*

RT-B380 Bullseye Wood Pellet Grill, Downloaded from the Recteq Internet site at "<https://www.recteq.com/RT-B380-Bullseye-Wood-Pellet-Grill>" on Oct. 15, 2020.

\* cited by examiner

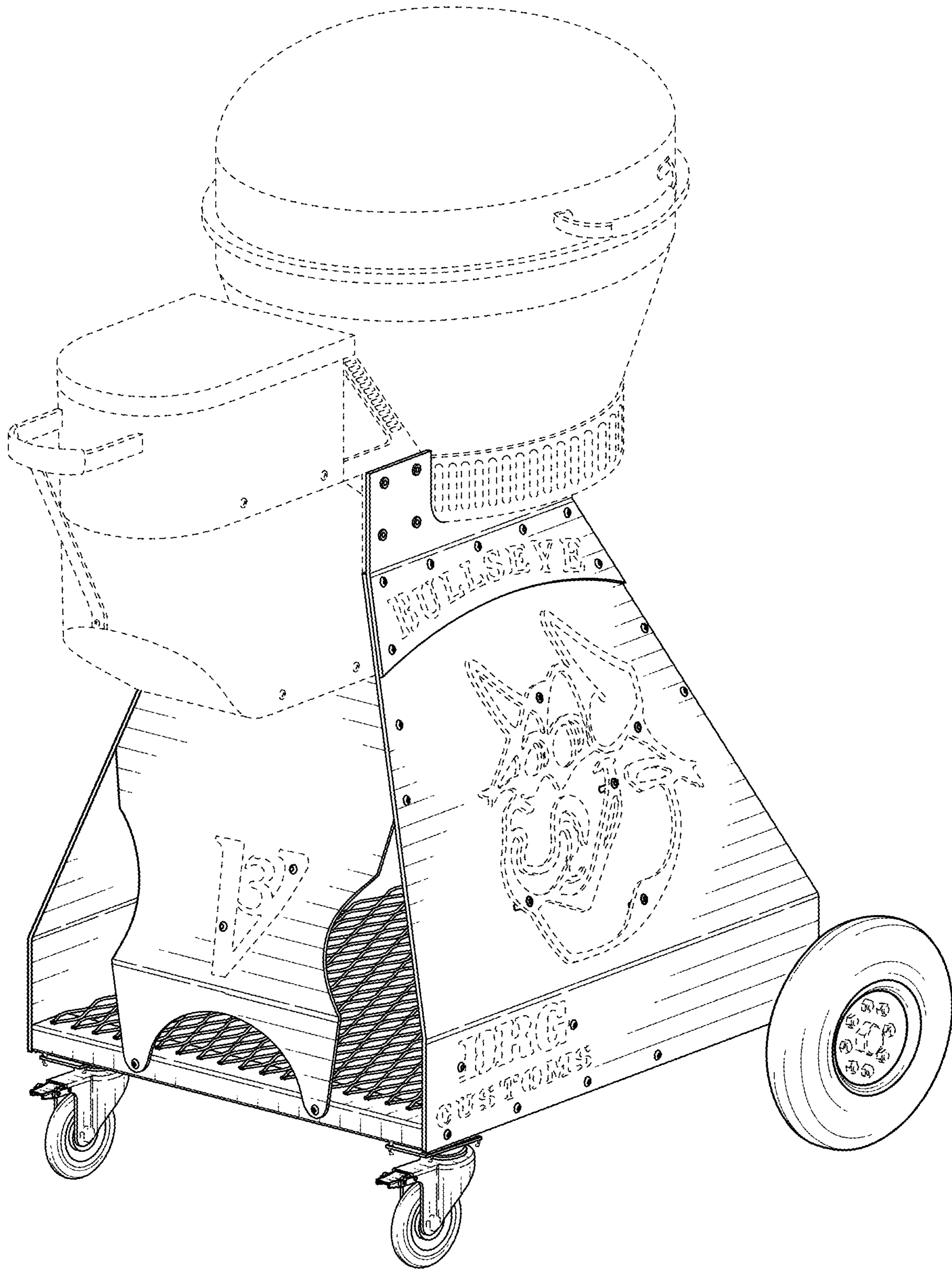


FIG. 1

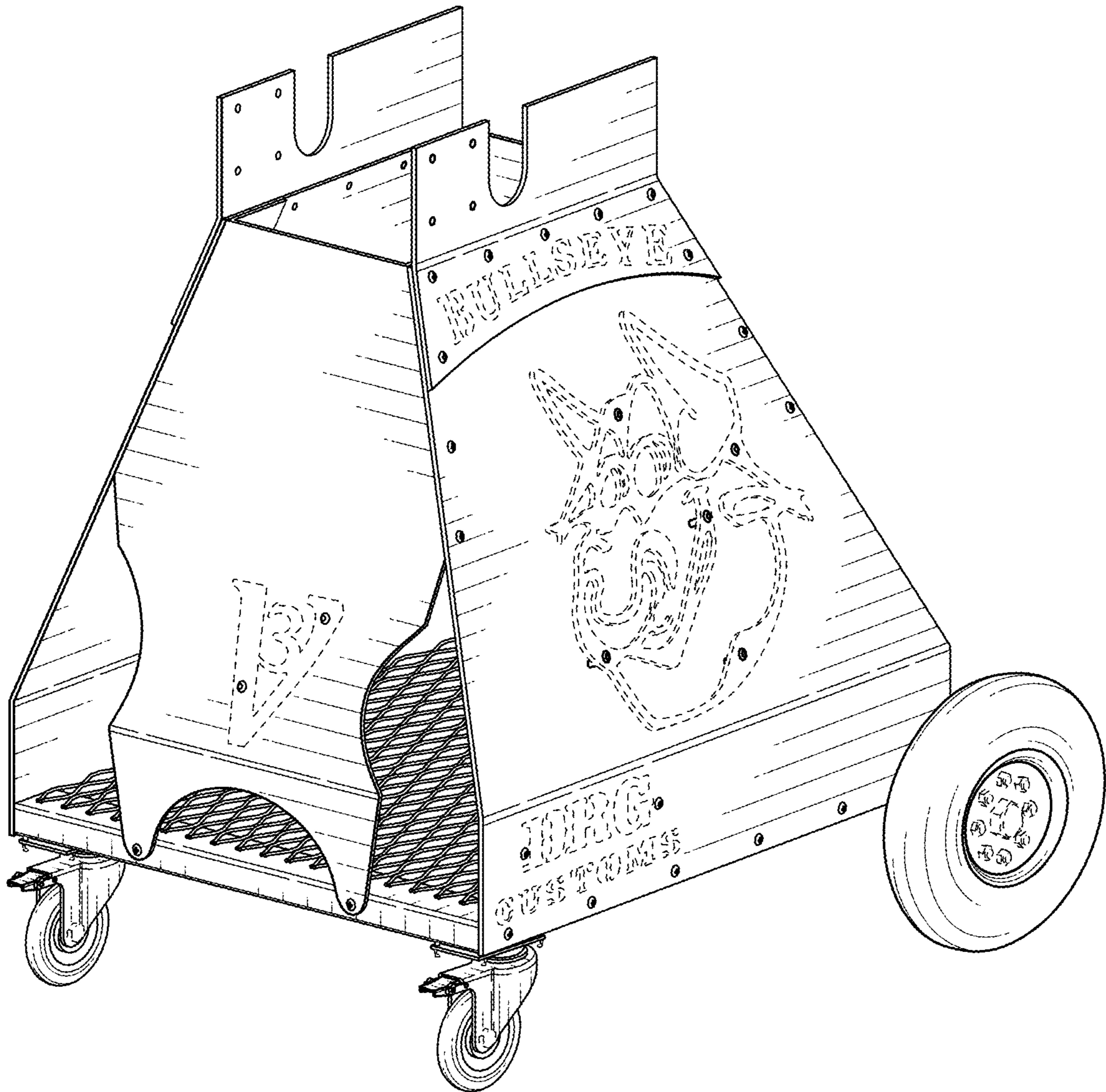


FIG. 2

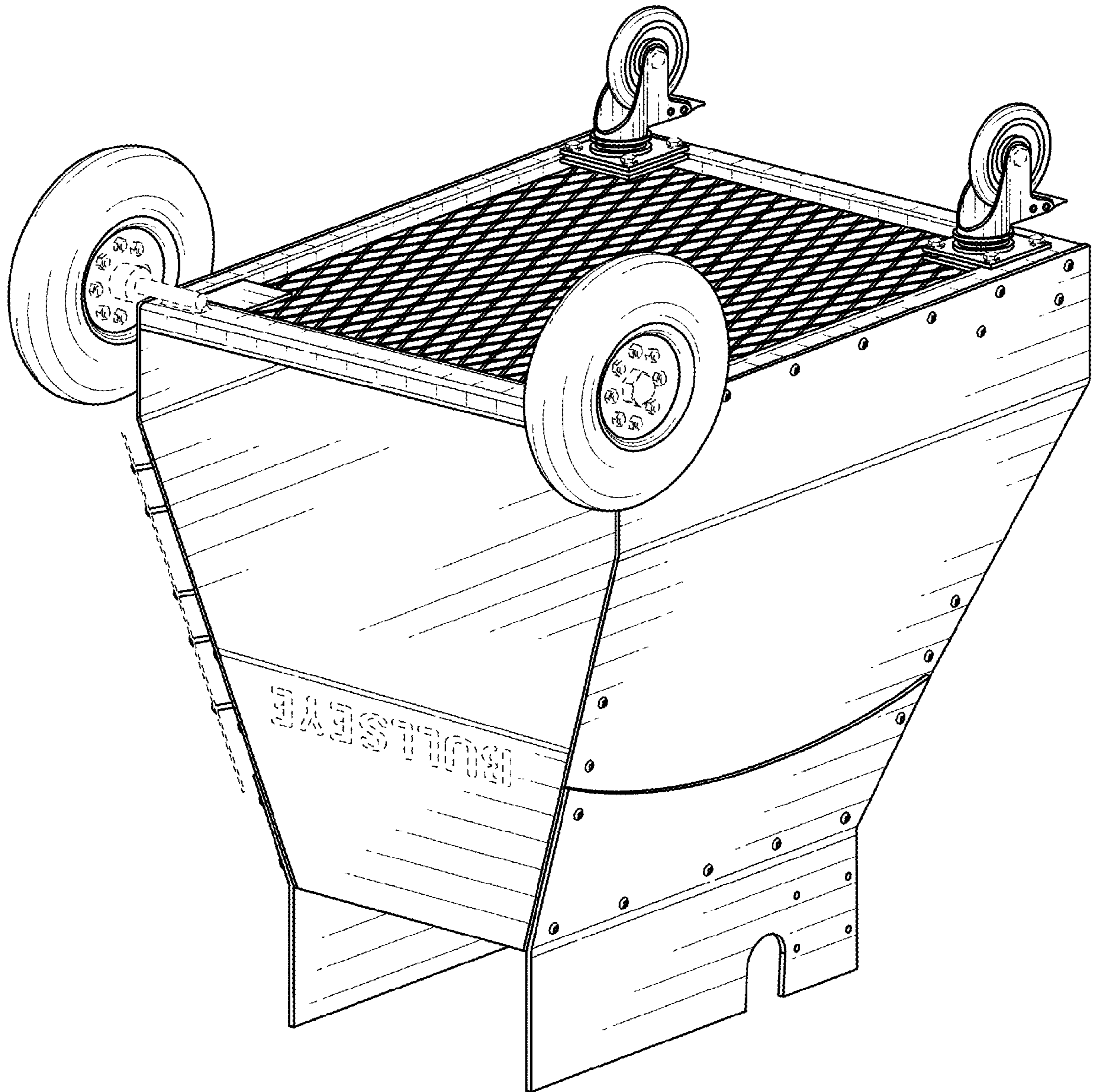


FIG. 3

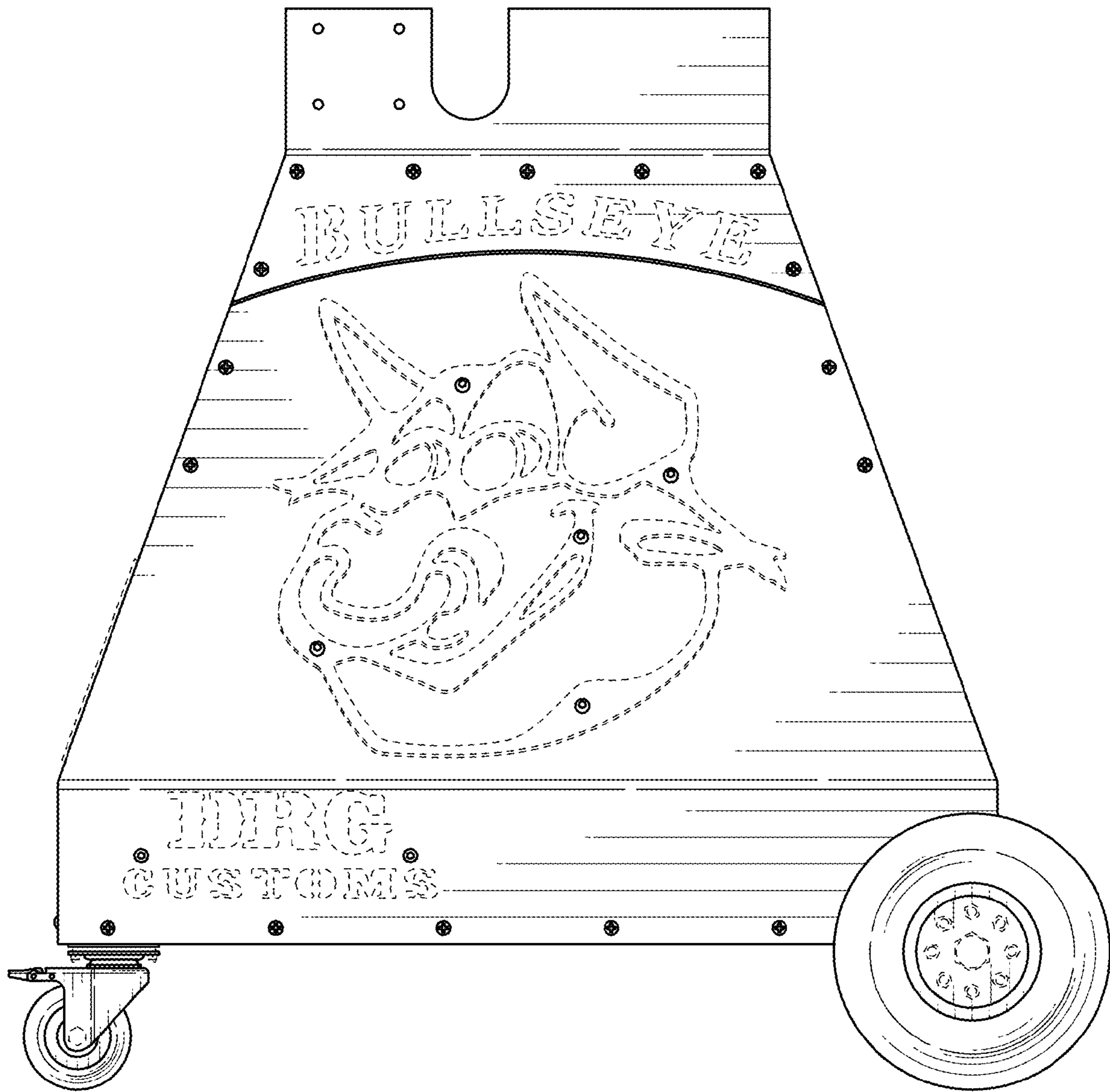


FIG. 4

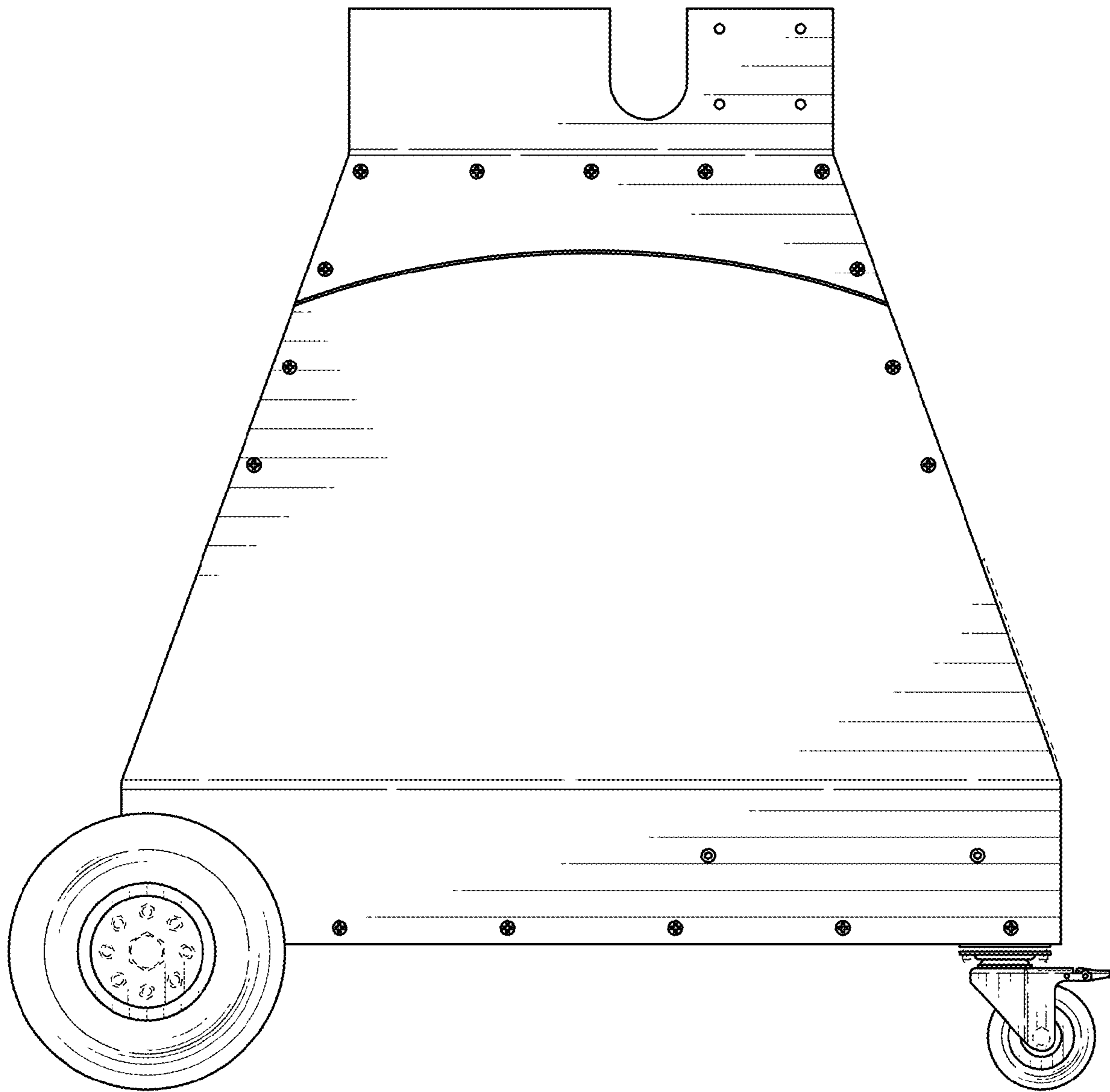


FIG. 5

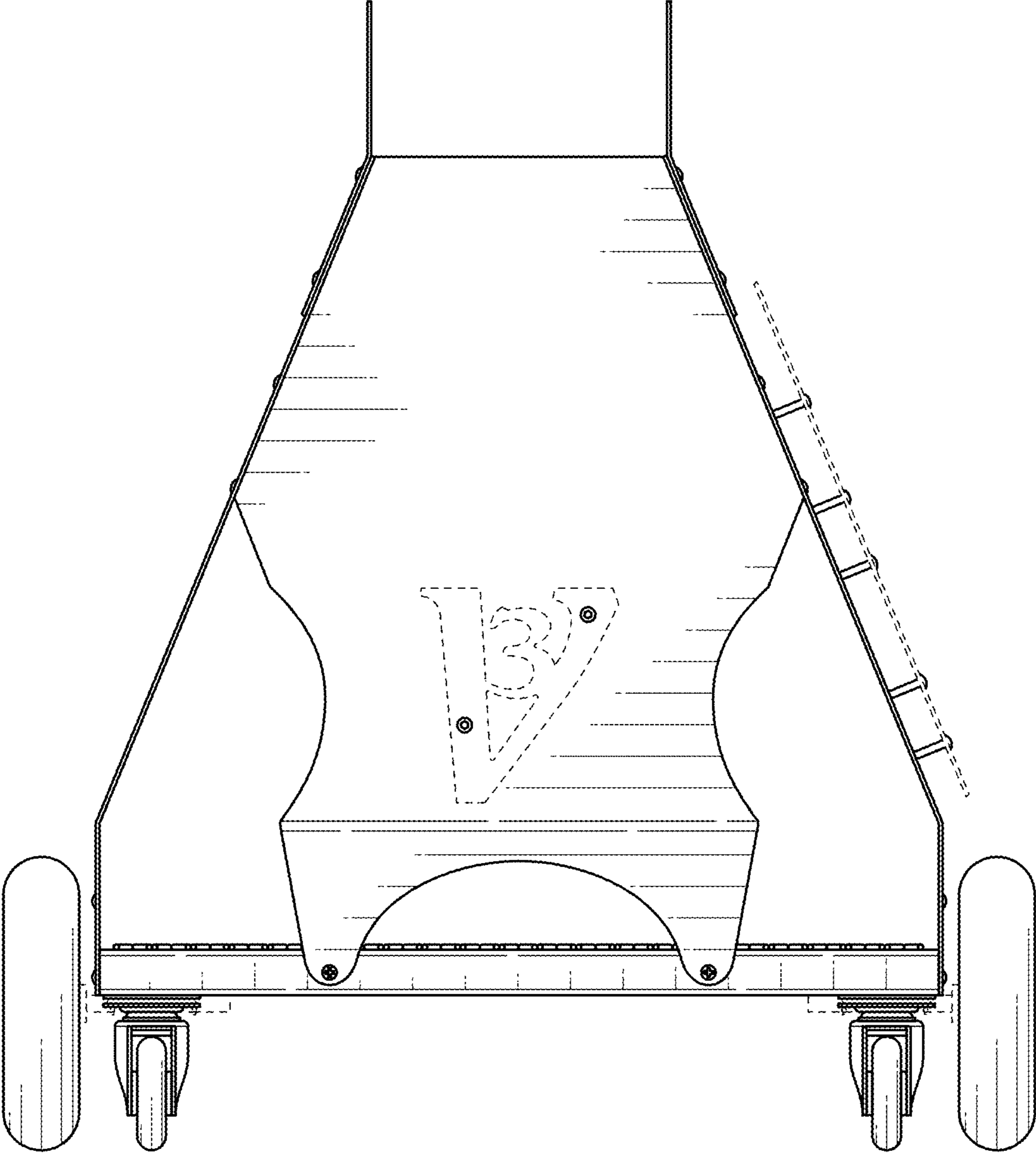


FIG. 6



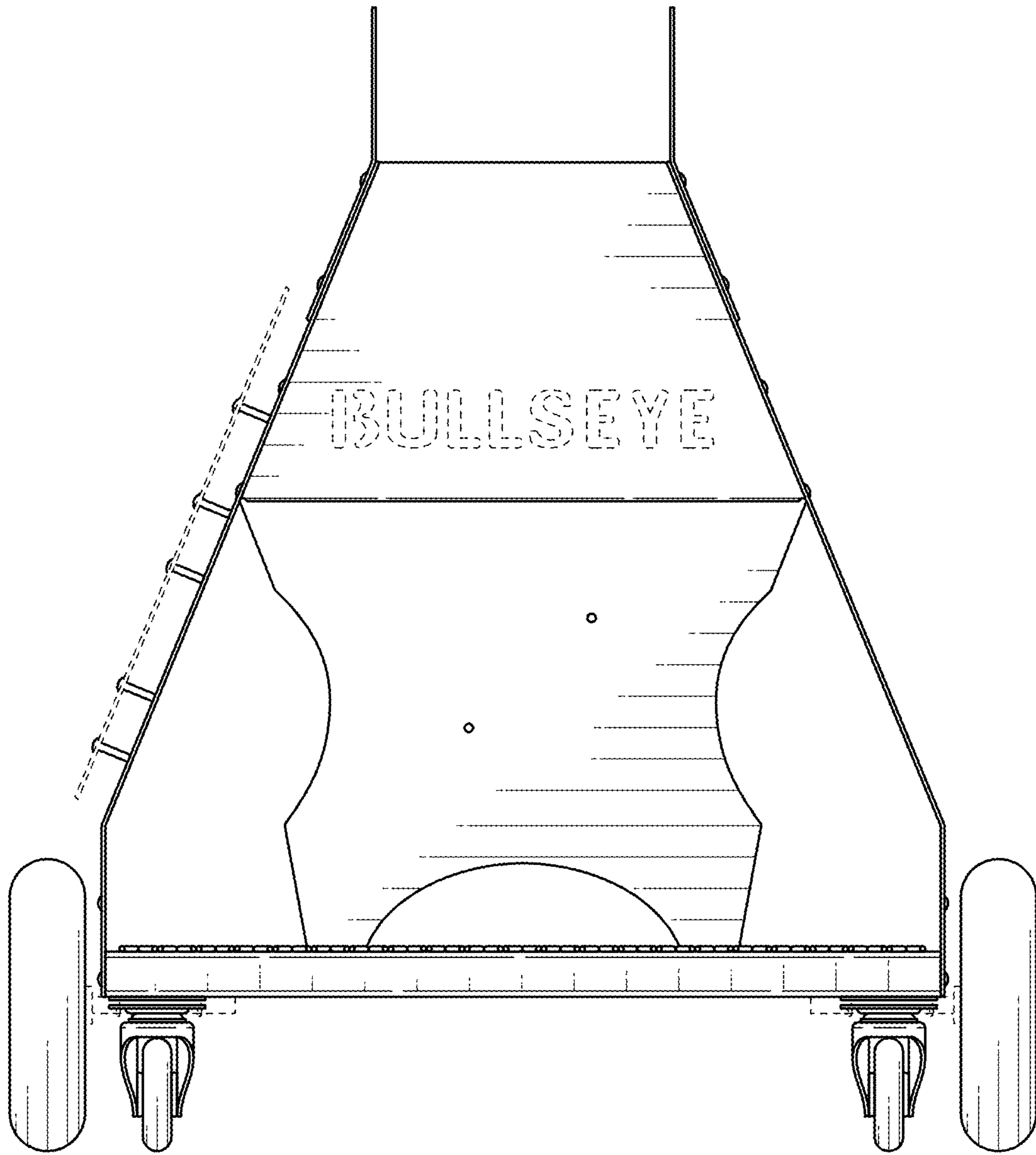


FIG. 7

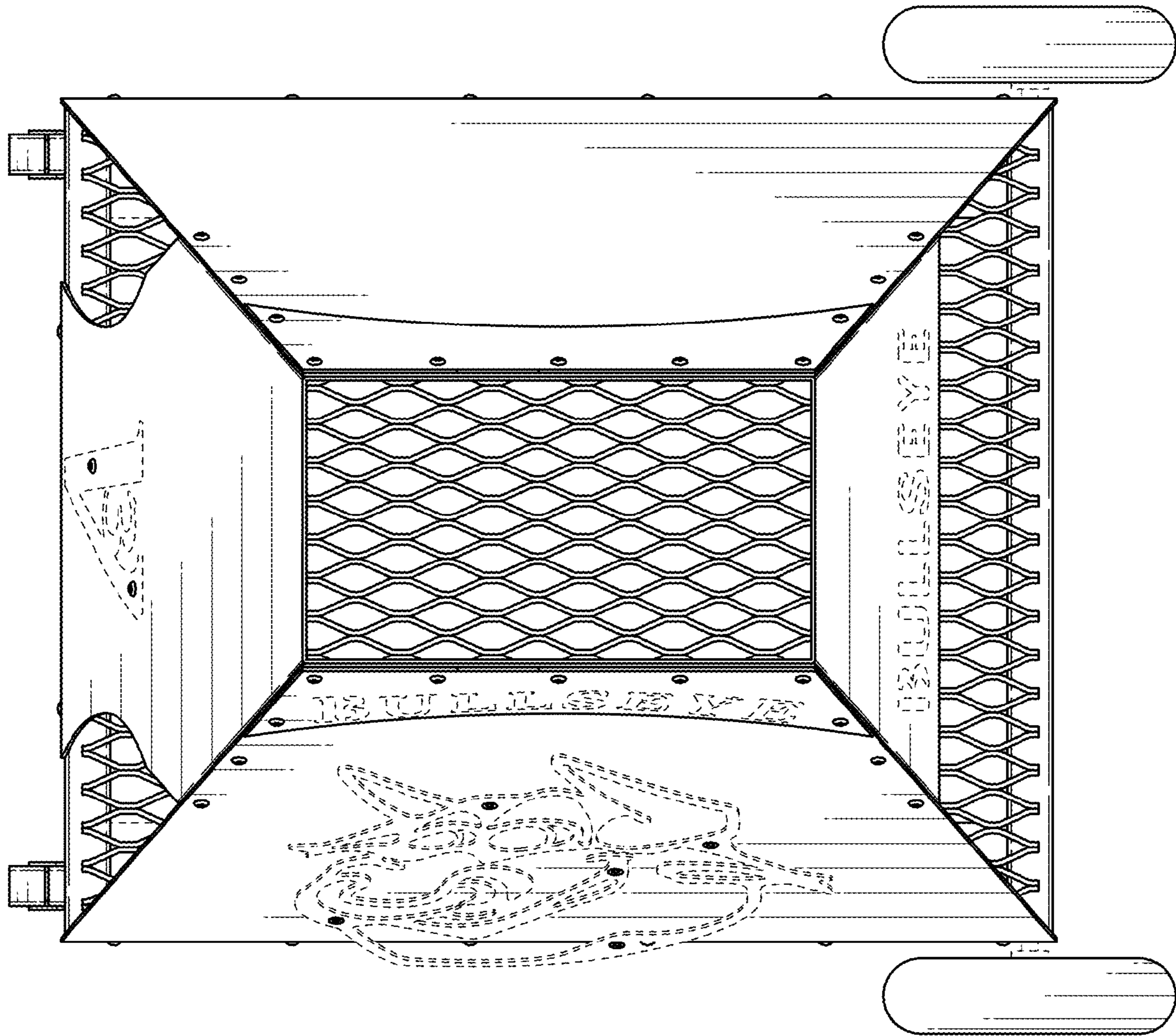


FIG. 8

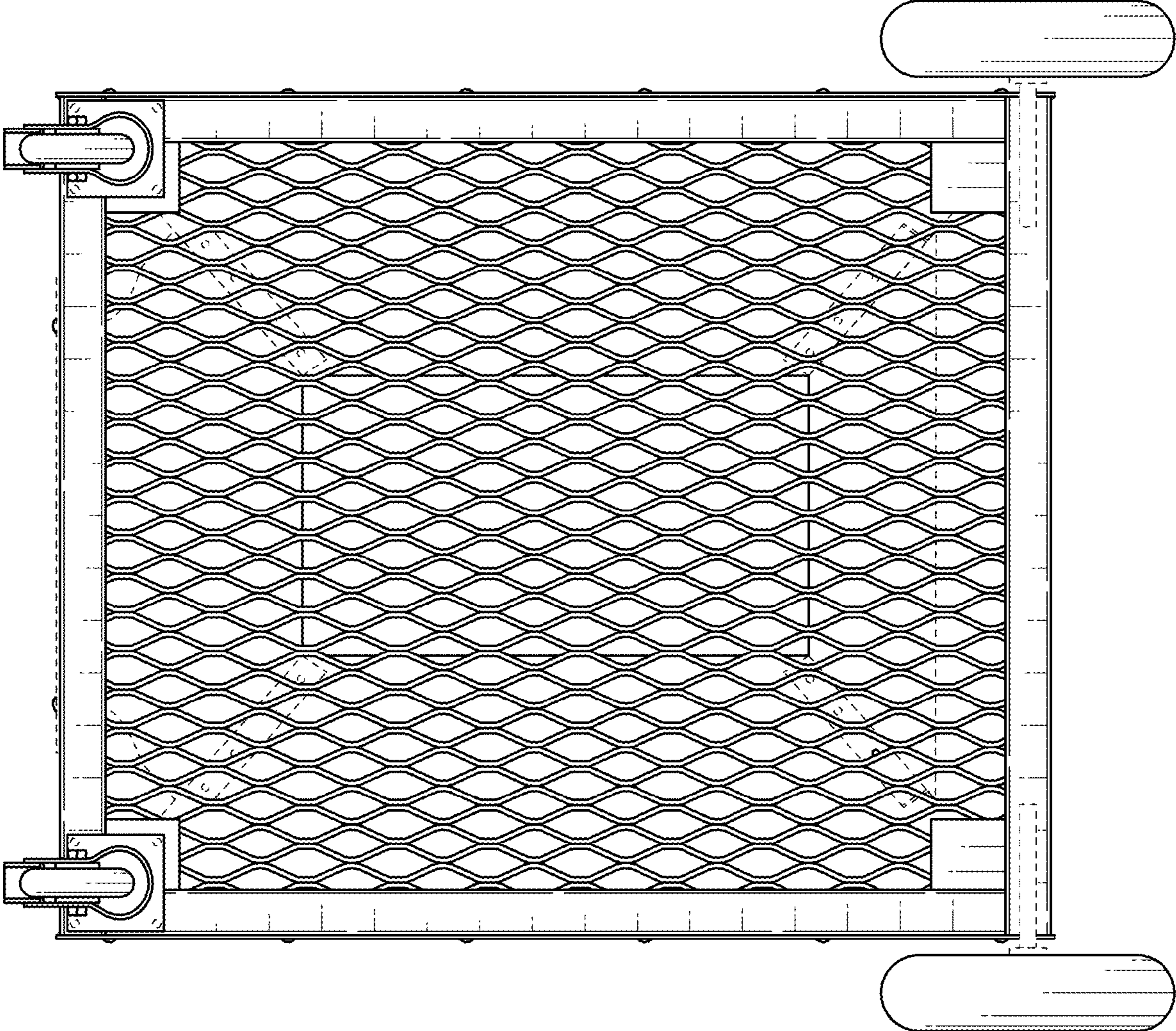


FIG. 9