



US00D970961S

(12) **United States Design Patent** (10) **Patent No.:** **US D970,961 S**  
**Wang** (45) **Date of Patent:** **\*\* Nov. 29, 2022**

(54) **PLUNGER POT FRAME**  
(71) Applicant: **SHENZHEN LIYI99.COM, LTD.**,  
Shenzhen (CN)  
(72) Inventor: **Xuzhong Wang**, Shenzhen (CN)  
(73) Assignee: **SHENZHEN LIYI99.COM, LTD.**,  
Shenzhen (CN)

D626,189 S 10/2010 Lin  
D677,103 S \* 3/2013 Melzer ..... D7/319  
D718,567 S \* 12/2014 Lu ..... D7/319  
D755,018 S \* 5/2016 Liotta ..... D7/319  
D796,244 S \* 9/2017 McLean ..... D7/319  
D802,977 S 11/2017 Bodum

(Continued)

(\*\*) Term: **15 Years**  
(21) Appl. No.: **29/776,780**  
(22) Filed: **Mar. 31, 2021**

**FOREIGN PATENT DOCUMENTS**

CN 301162393 3/2010

(30) **Foreign Application Priority Data**  
Dec. 1, 2020 (CN) ..... 202030734306.6  
(51) **LOC (13) Cl.** ..... **07-06**  
(52) **U.S. Cl.**  
USPC ..... **D7/399**  
(58) **Field of Classification Search**  
USPC ..... D7/300, 312, 316-322, 397, 399, 598,  
D7/600, 667, 669; D9/434, 435, 548,  
D9/549, 559  
CPC .. A47J 31/14; A47J 31/18; A47J 31/24; A47J  
31/38; A47J 31/50  
See application file for complete search history.

**OTHER PUBLICATIONS**

OlarHike French Press | posted at Amazon.com, posted on Jul. 29, 2021, © 1996-2022 Amazon.com, [online], [site visited Jul. 29, 2021]. Available from Internet, <URL: <https://www.amazon.com/OlarHike-Stainless-Resistant-Thickened-Borosilicate/dp/B09BF1N6WW/>> (Year: 2021).\*

*Primary Examiner* — Andrew Kerr  
(74) *Attorney, Agent, or Firm* — Marshall, Gerstein & Borun LLP

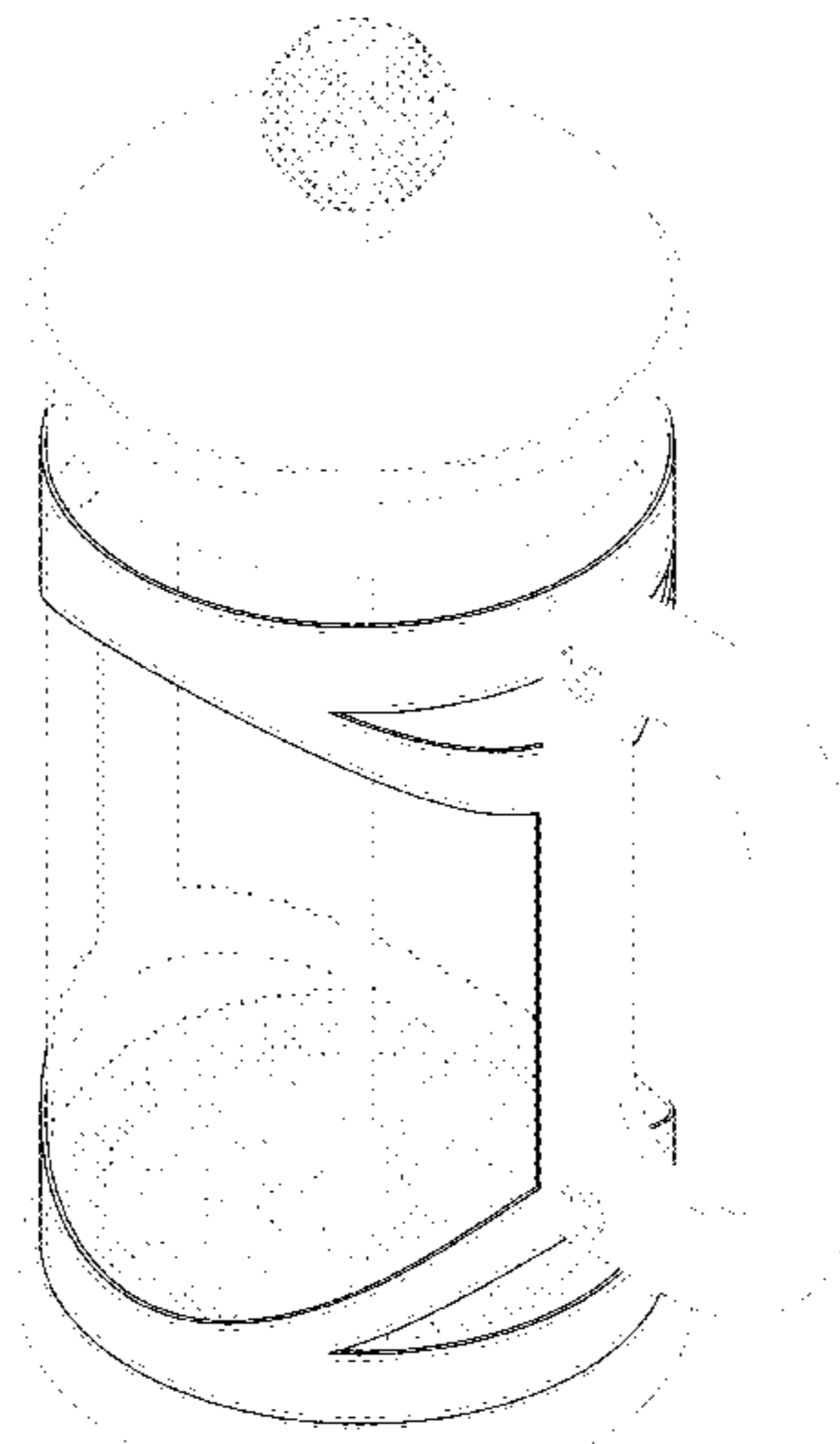
(56) **References Cited**  
**U.S. PATENT DOCUMENTS**  
D215,471 S 10/1969 Gulotta  
D444,339 S 7/2001 Huang  
D475,568 S \* 6/2003 Bodum ..... D7/319  
D493,662 S \* 8/2004 Bodum ..... D7/319  
D513,919 S \* 1/2006 Bodum ..... D7/319  
D567,007 S \* 4/2008 Bodum ..... D7/319  
D568,667 S 5/2008 Appleton  
D594,267 S \* 6/2009 Bodum ..... D7/319  
D610,860 S 3/2010 Bodum  
D612,660 S \* 3/2010 Bodum ..... A47J 31/20  
D7/319

(57) **CLAIM**  
The ornamental design for a plunger pot frame, as shown and described.

**DESCRIPTION**

FIG. 1 is a top, right side perspective view of a plunger pot frame showing our new design;  
FIG. 2 is a left side perspective view thereof;  
FIG. 3 is a right side view thereof;  
FIG. 4 is a left side view thereof;  
FIG. 5 is a top view thereof;  
FIG. 6 is a bottom view thereof;  
FIG. 7 is a front view thereof; and,  
FIG. 8 is a rear view thereof.  
The broken lines shown in the Figures represent environmental subject matter that form no part of the claimed design.

**1 Claim, 8 Drawing Sheets**



(56)

**References Cited**

U.S. PATENT DOCUMENTS

D861,424 S \* 10/2019 Philips ..... D7/399  
D935,258 S \* 11/2021 Zhao ..... A47J 31/20  
D7/319  
D948,915 S \* 4/2022 Zhong ..... D7/317  
D955,155 S \* 6/2022 Wang ..... D7/319  
2012/0216682 A1\* 8/2012 Bodum ..... A47J 31/20  
99/298  
2021/0085121 A1\* 3/2021 Liang ..... A47J 31/20

\* cited by examiner

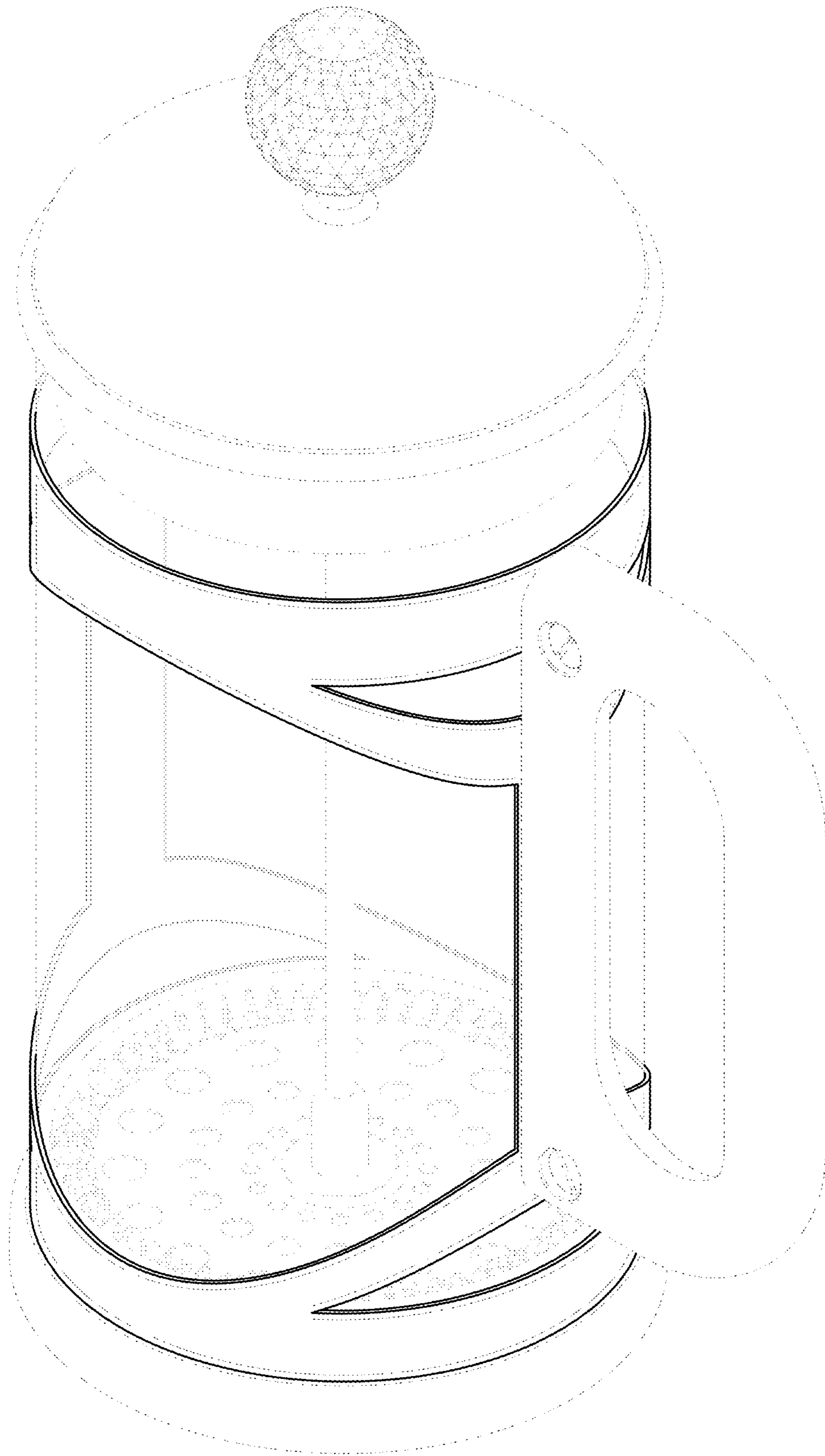


FIG.1

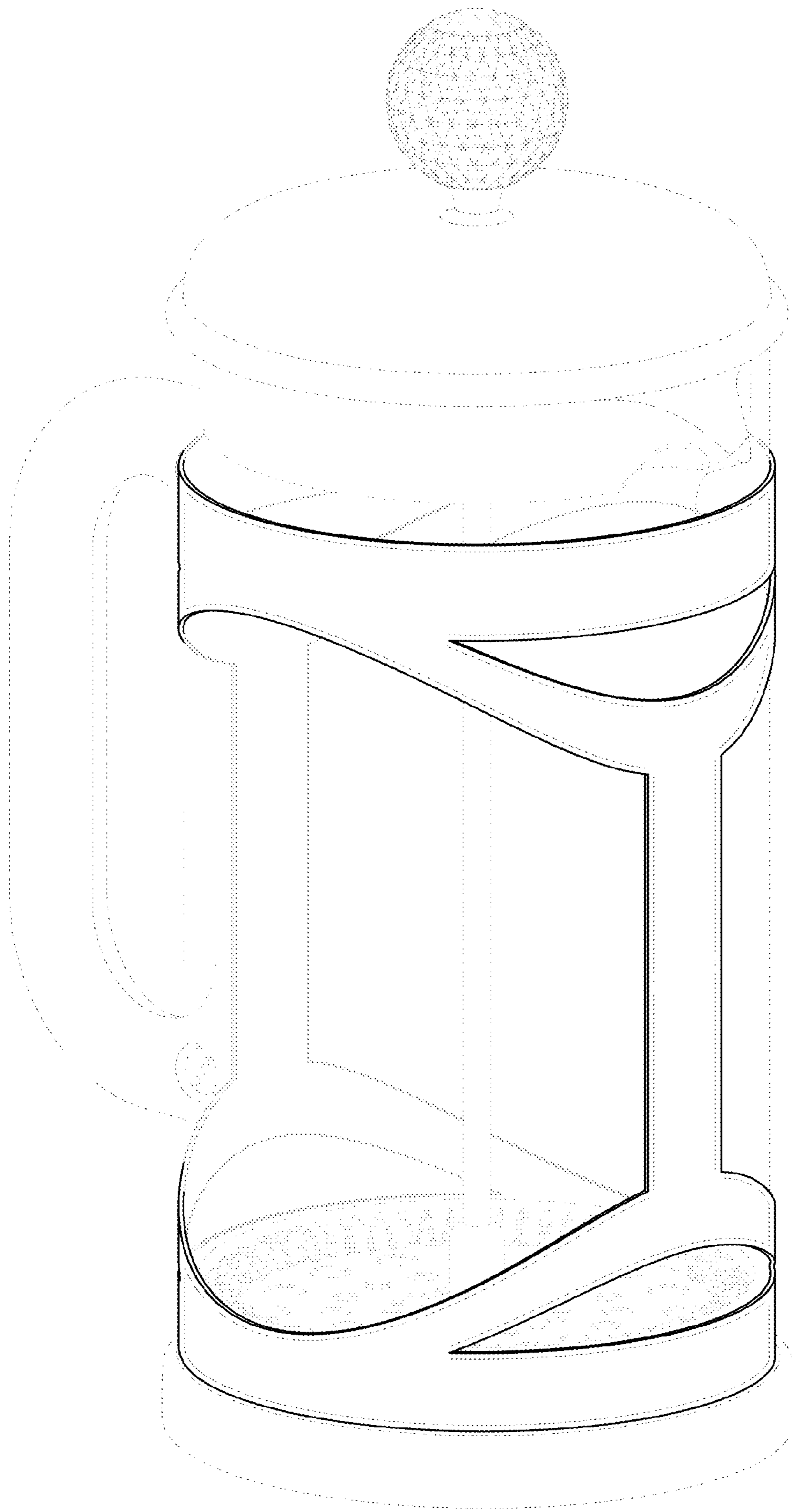


FIG.2

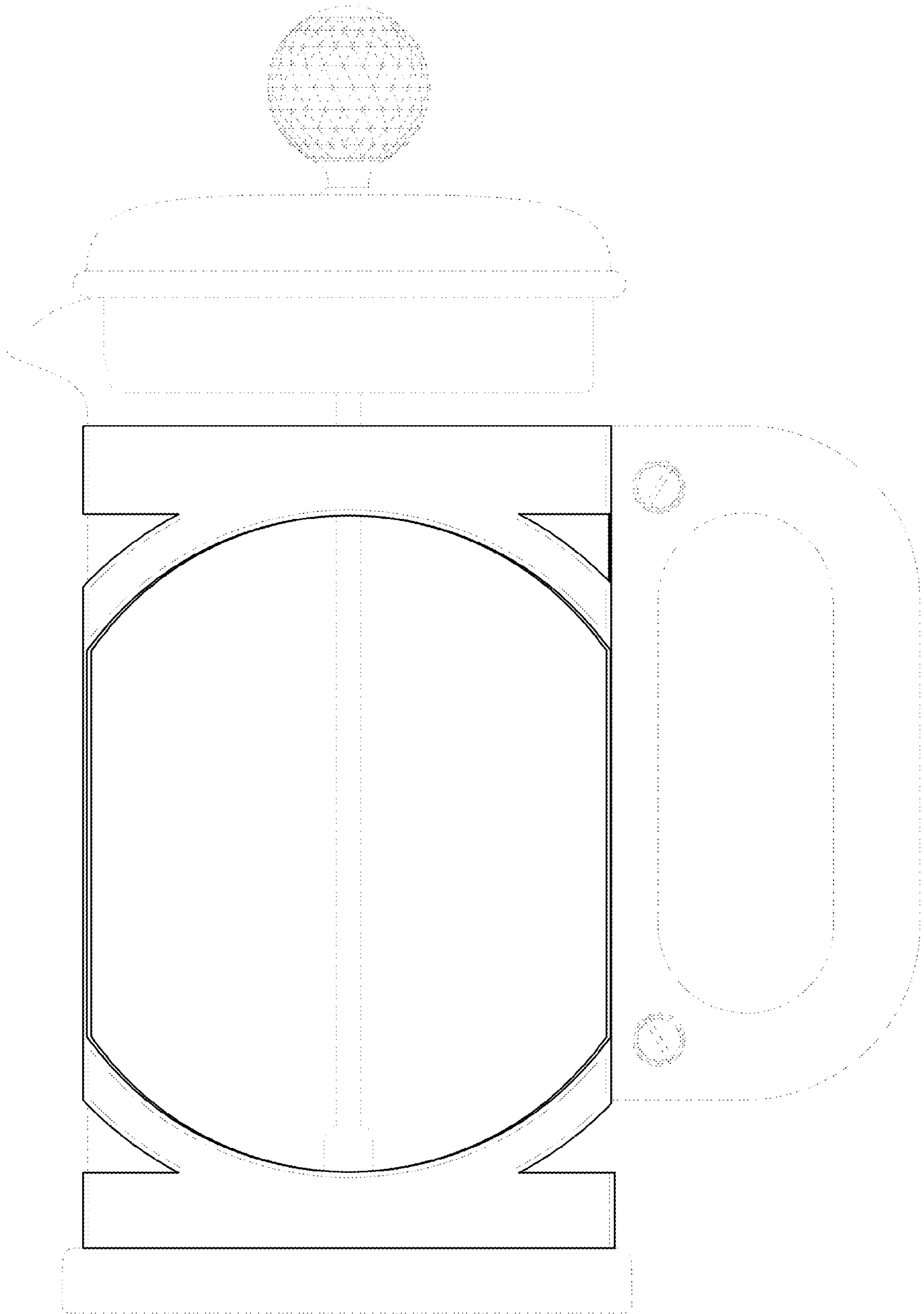


FIG.3

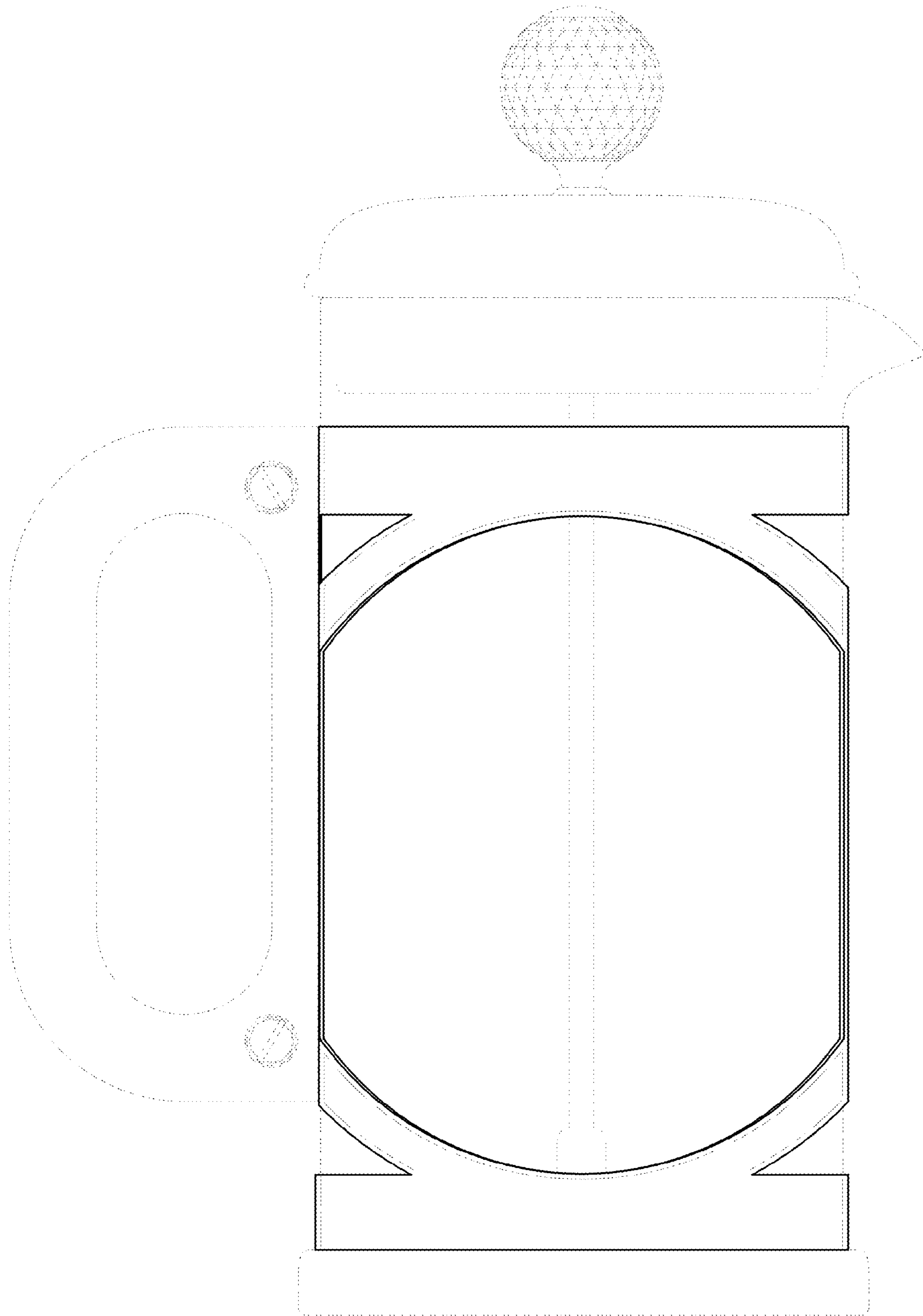


FIG.4

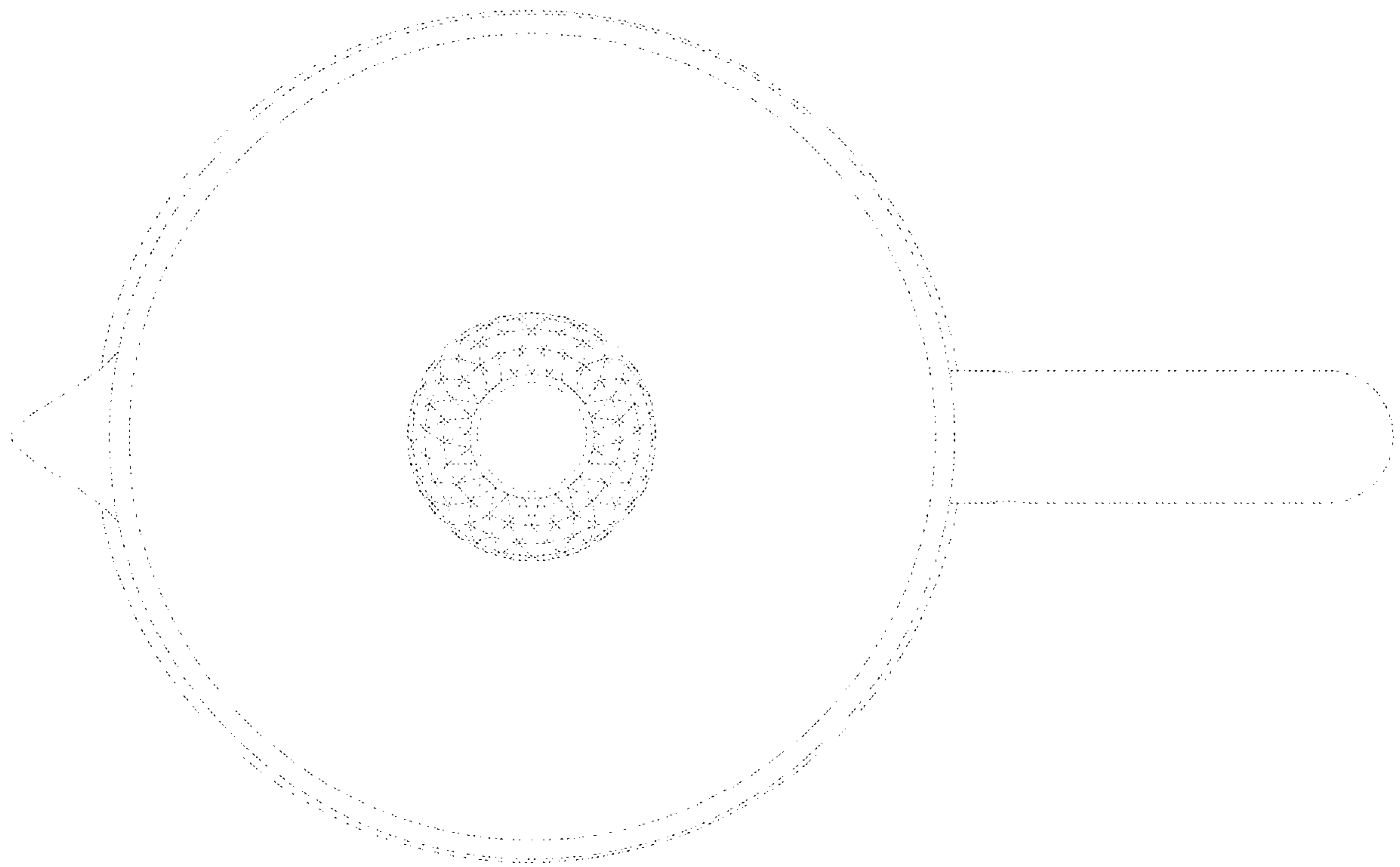


FIG.5

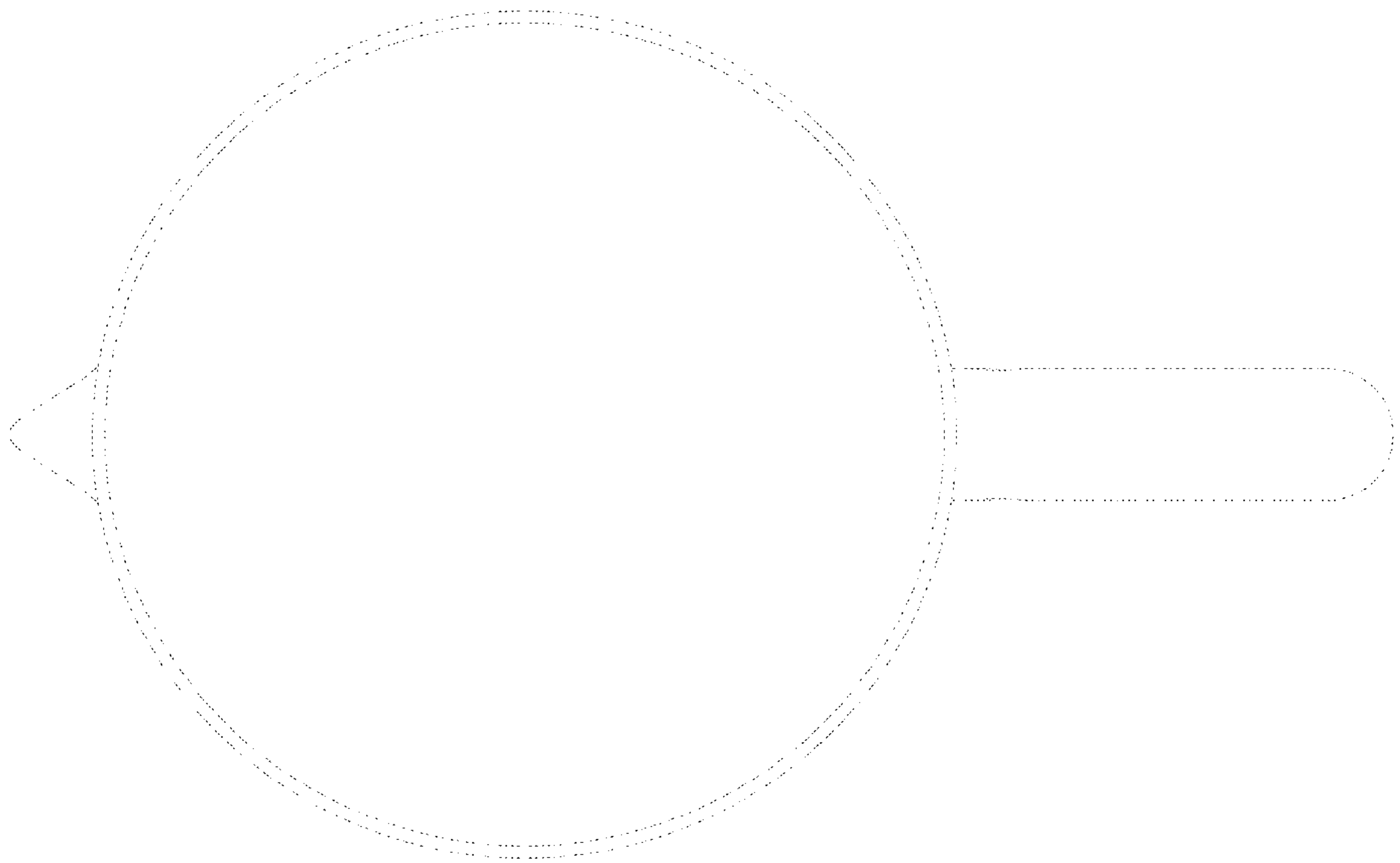


FIG. 6



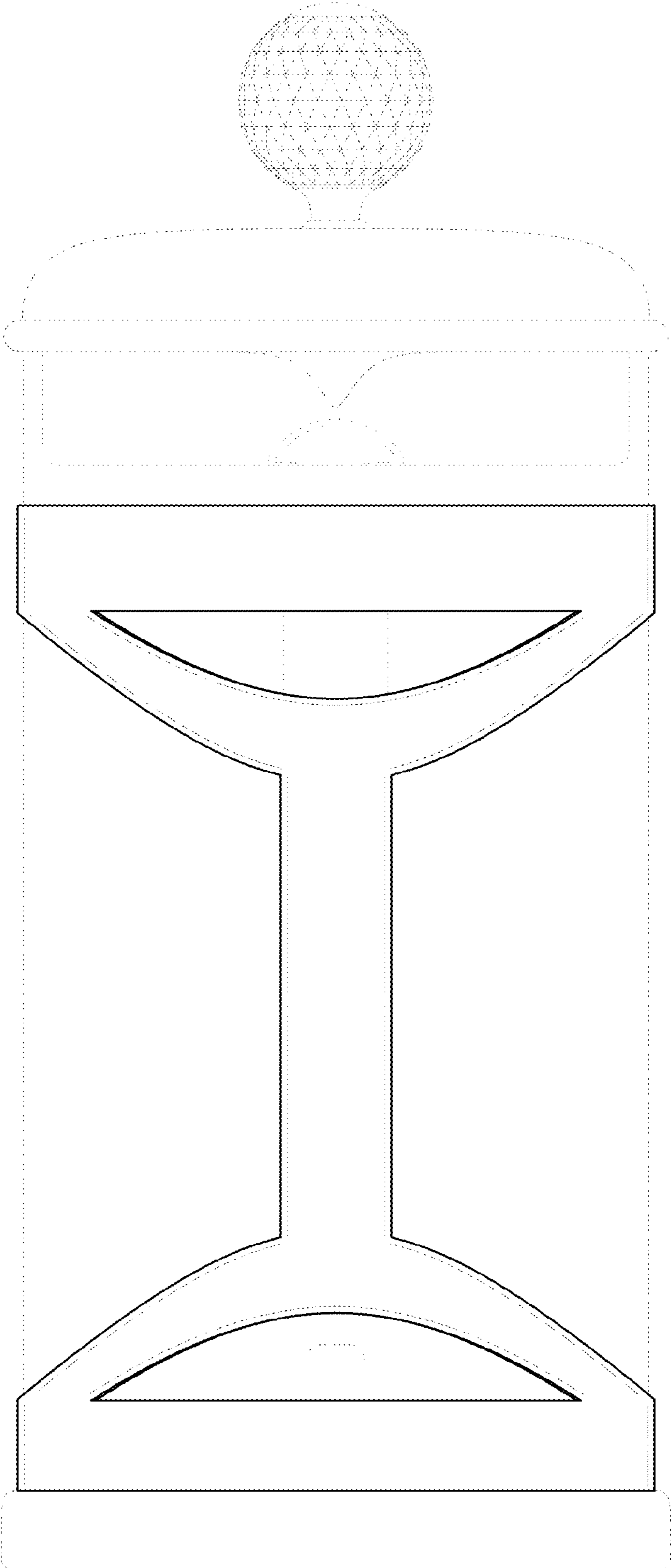


FIG.7

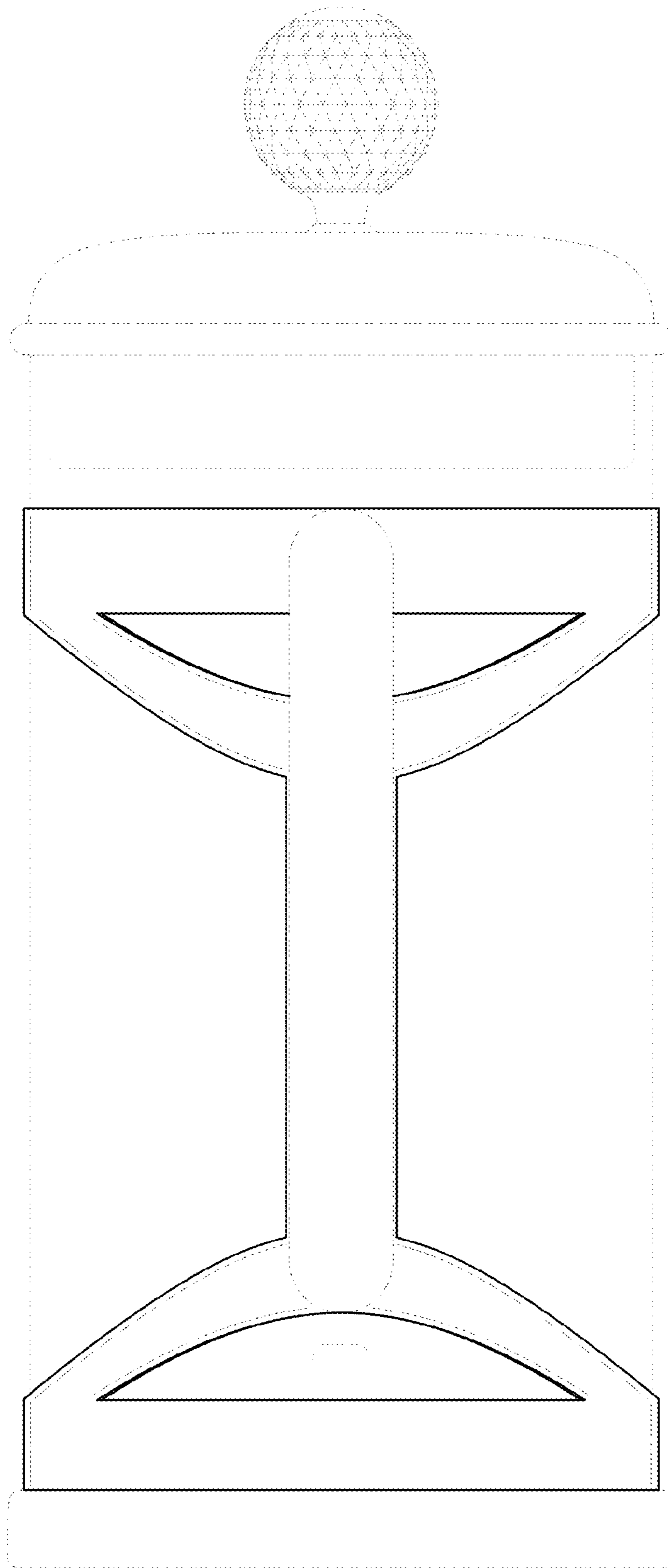


FIG. 8