



US00D970959S

(12) **United States Design Patent**  
**Biegeleisen**

(10) **Patent No.:** **US D970,959 S**

(45) **Date of Patent:** **\*\* Nov. 29, 2022**

(54) **AIR FRYER**

(71) Applicant: **The Steelstone Group LLC**, Brooklyn, NY (US)

(72) Inventor: **Naphtali H. Biegeleisen**, Brooklyn, NY (US)

(73) Assignee: **The Steelstone Group LLC**, Brooklyn, NY (US)

(\*\*) Term: **15 Years**

(21) Appl. No.: **29/774,178**

(22) Filed: **Mar. 15, 2021**

(51) **LOC (13) Cl.** ..... **07-02**

(52) **U.S. Cl.**  
USPC ..... **D7/354**

(58) **Field of Classification Search**  
USPC ..... D7/323, 354-361  
CPC ..... A23L 1/01; A23L 1/0107; A23L 1/0114;

A47J 27/00; A47J 27/08; A47J 27/09;  
A47J 27/092; A47J 36/025; A47J 36/06;  
A47J 36/08; A47J 36/10; A47J 36/12;  
A47J 36/18; A47J 36/20; A47J 36/22;  
A47J 36/165; A47J 37/00; A47J 37/12;  
A47J 37/129; A47J 37/1204; A47J  
37/1209; A47J 37/1214; A47J 37/1219;  
A47J 37/1266; A47J 37/1285; A47J  
37/1295; G07F 17/0064; G07F 17/0078;  
G07F 17/0085; H05B 6/02; H05B 6/06;  
H05B 6/12

See application file for complete search history.

(56) **References Cited**

**U.S. PATENT DOCUMENTS**

D680,801 S \* 4/2013 Seymour ..... D7/354  
D814,232 S \* 4/2018 Barquin ..... D7/354

D836,381 S \* 12/2018 Moon ..... D7/354  
D836,383 S \* 12/2018 Dutruel ..... D7/354  
D839,040 S \* 1/2019 Seymour ..... D7/354  
D841,388 S \* 2/2019 Zhang ..... D7/354  
D844,369 S \* 4/2019 De' Longhi ..... D7/354  
D862,152 S \* 10/2019 Huang ..... D7/354  
D879,539 S \* 3/2020 Chen ..... D7/354  
D883,729 S 5/2020 Yang et al.  
D891,849 S 8/2020 Yang et al.  
D923,386 S \* 6/2021 Lin ..... D7/354  
D933,415 S \* 10/2021 Yang ..... D7/354  
D934,021 S \* 10/2021 Luo ..... D7/354  
D938,218 S \* 12/2021 Dubeau ..... D7/354

**OTHER PUBLICATIONS**

Kobi Air Fryer. Date First Available on Amazon.com Jul. 16, 2020.  
<https://www.amazon.com/dp/B08D55RCH2/ref> (Year: 2020).\*

\* cited by examiner

*Primary Examiner* — Ricky Pham

(74) *Attorney, Agent, or Firm* — Myers Wolin, LLC

(57) **CLAIM**

The ornamental design for an air fryer, as shown and described.

**DESCRIPTION**

FIG. 1 is a front perspective view of an air fryer showing my new design;

FIG. 2 is a rear perspective view thereof;

FIG. 3 is a front elevation view thereof;

FIG. 4 is a rear elevation view thereof;

FIG. 5 is a left side elevation view thereof;

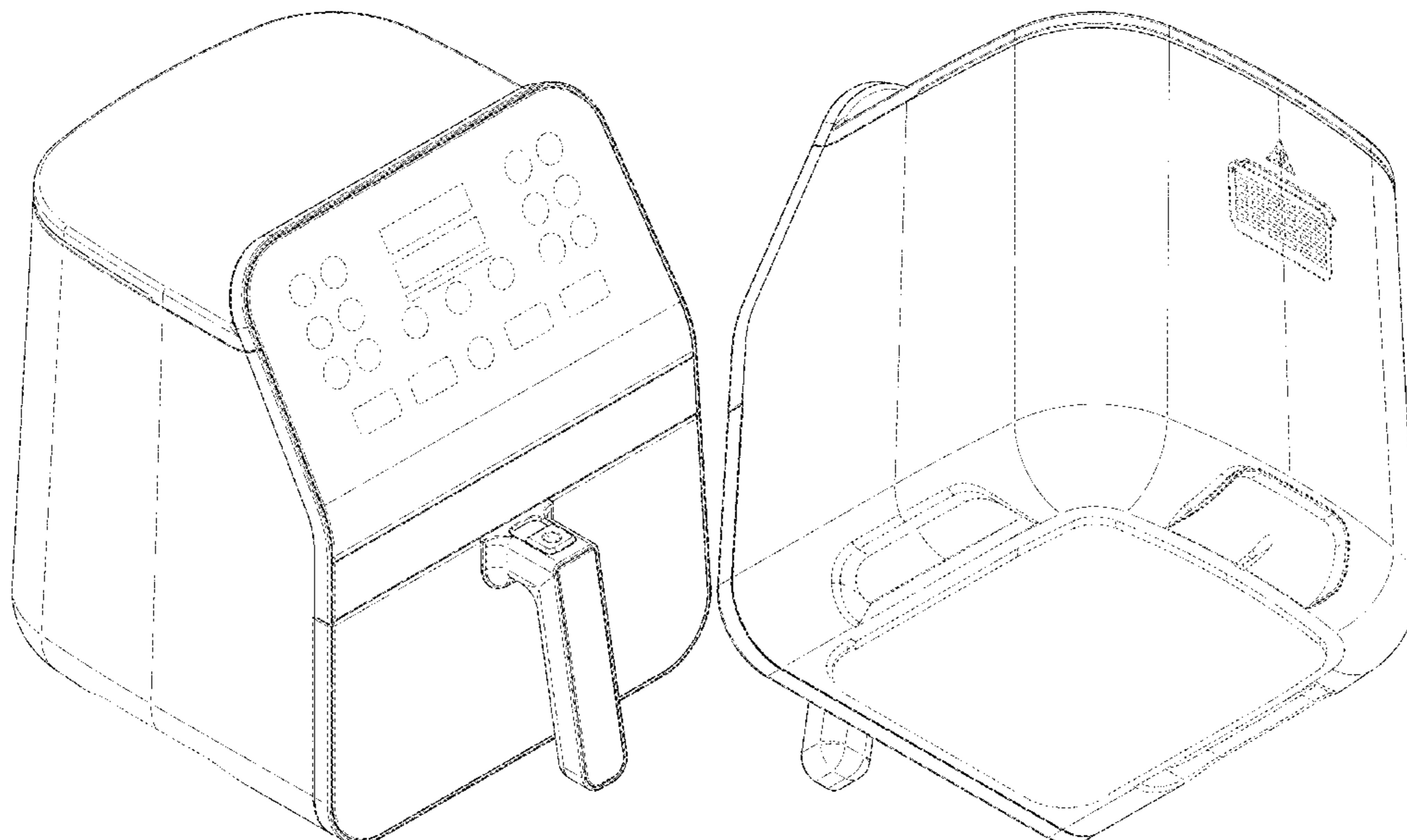
FIG. 6 is a right side elevation view thereof;

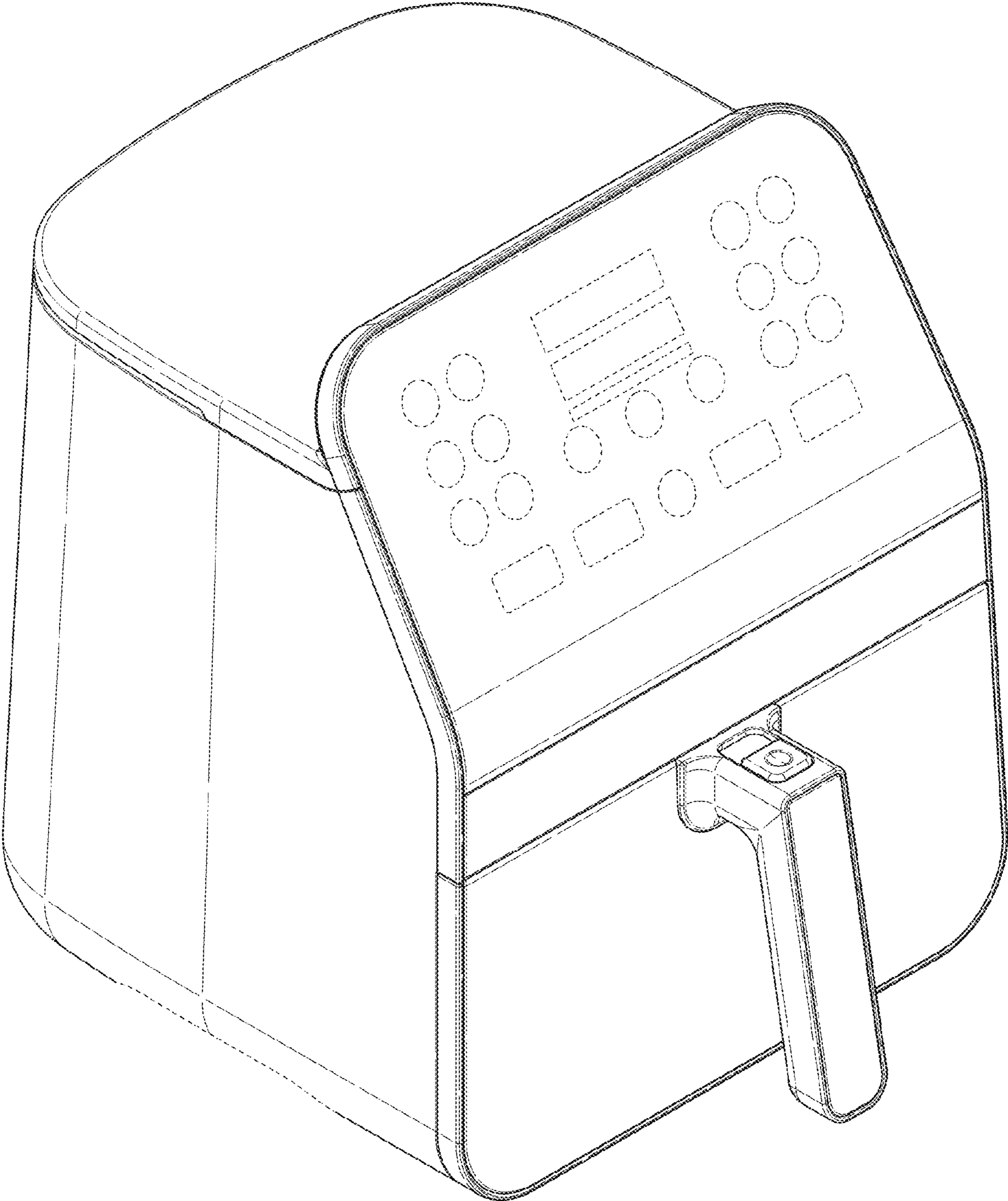
FIG. 7 is a top plan view thereof; and,

FIG. 8 is a bottom plan view thereof.

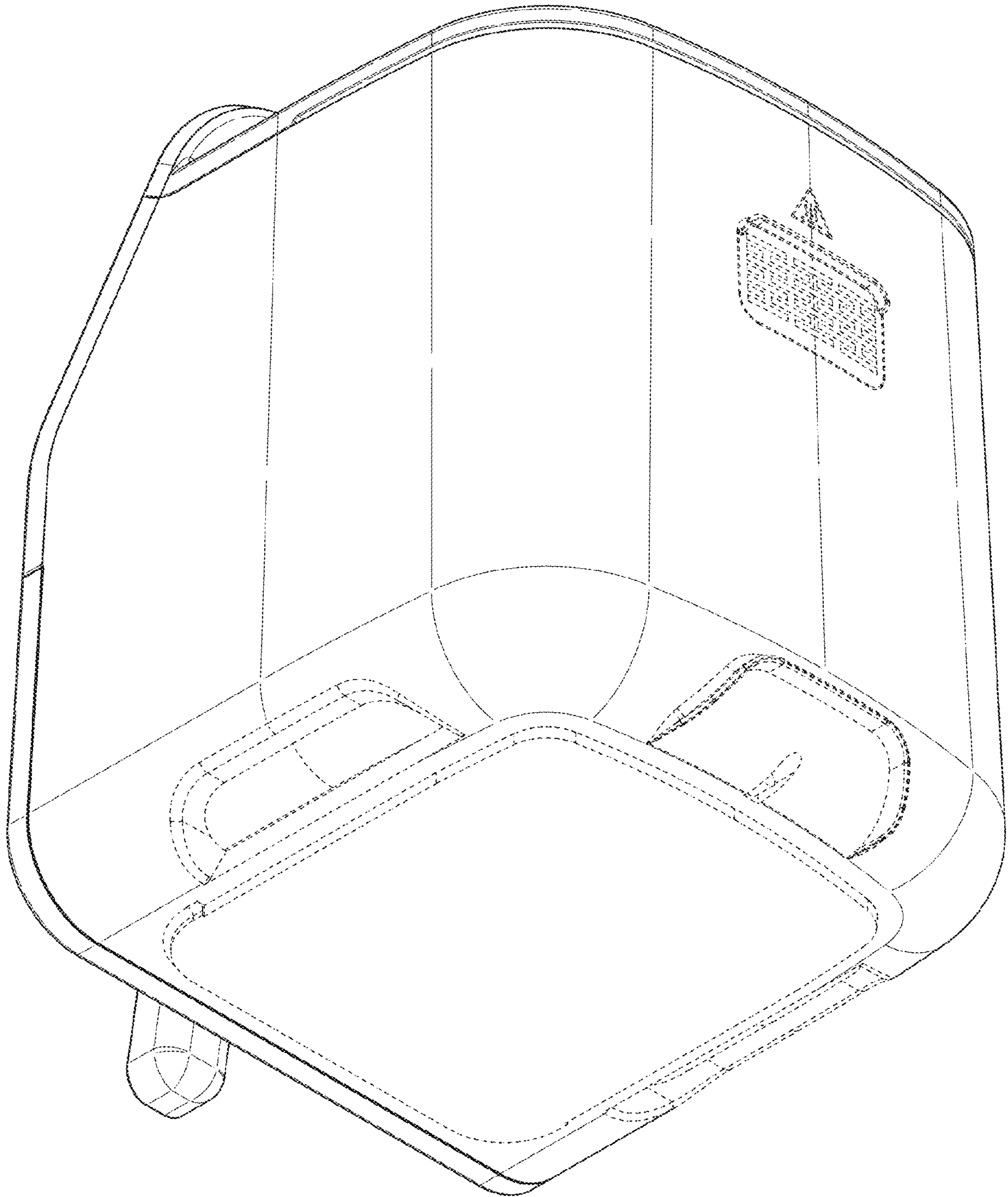
The broken lines illustrate portions of the air fryer that form no part of the claimed design.

**1 Claim, 8 Drawing Sheets**

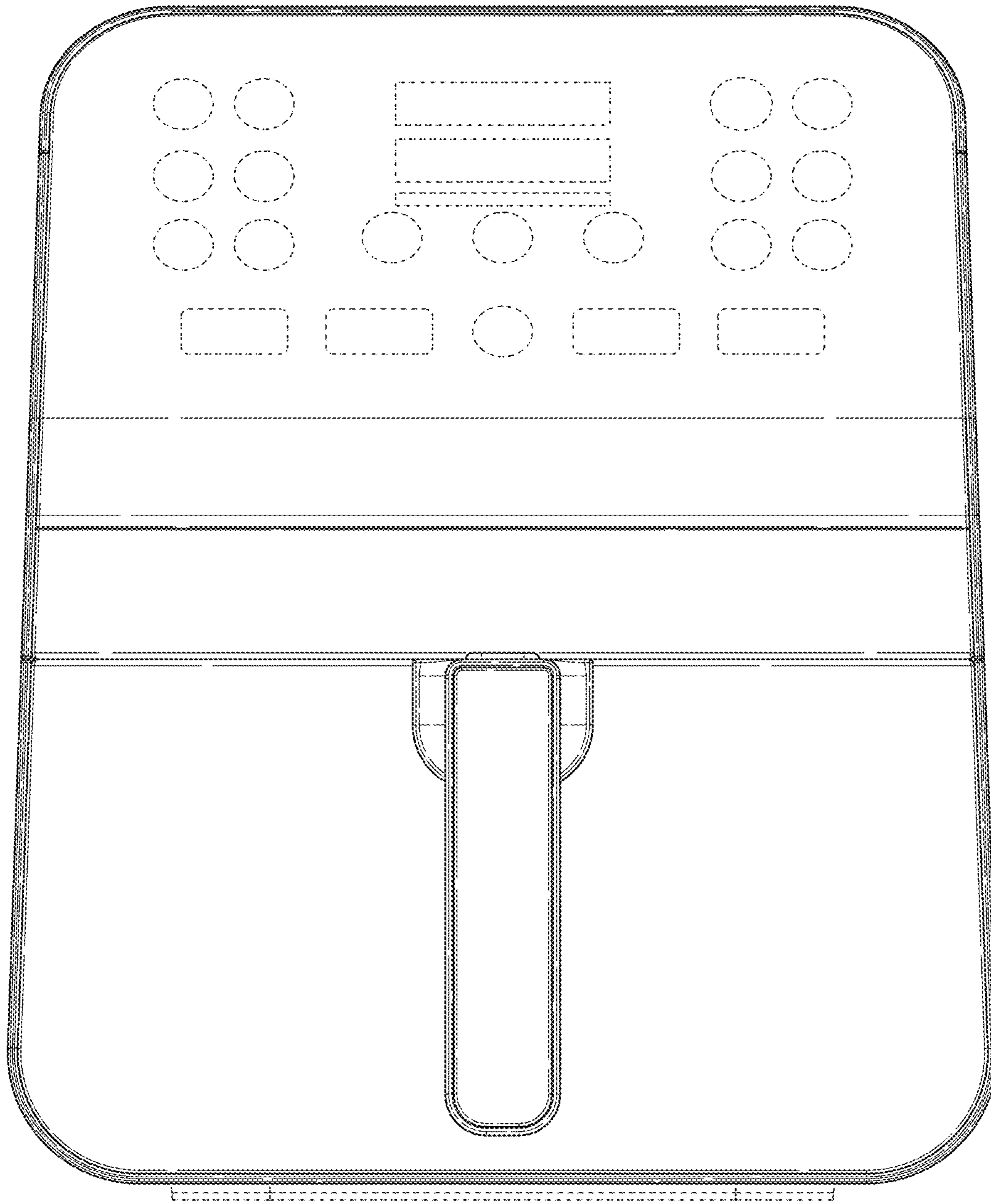




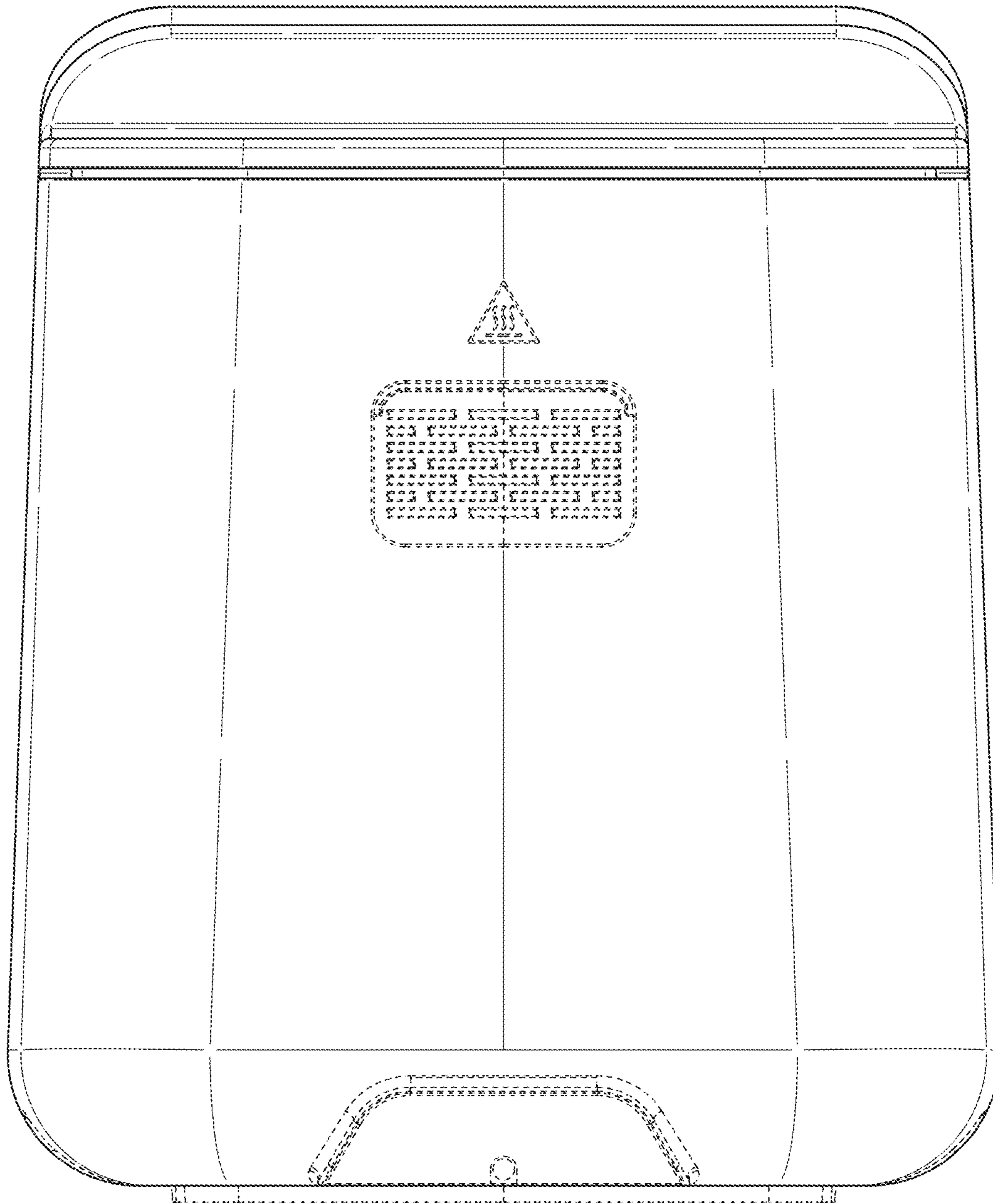
*FIG. 1*



*FIG. 2*



*FIG. 3*



*FIG. 4*

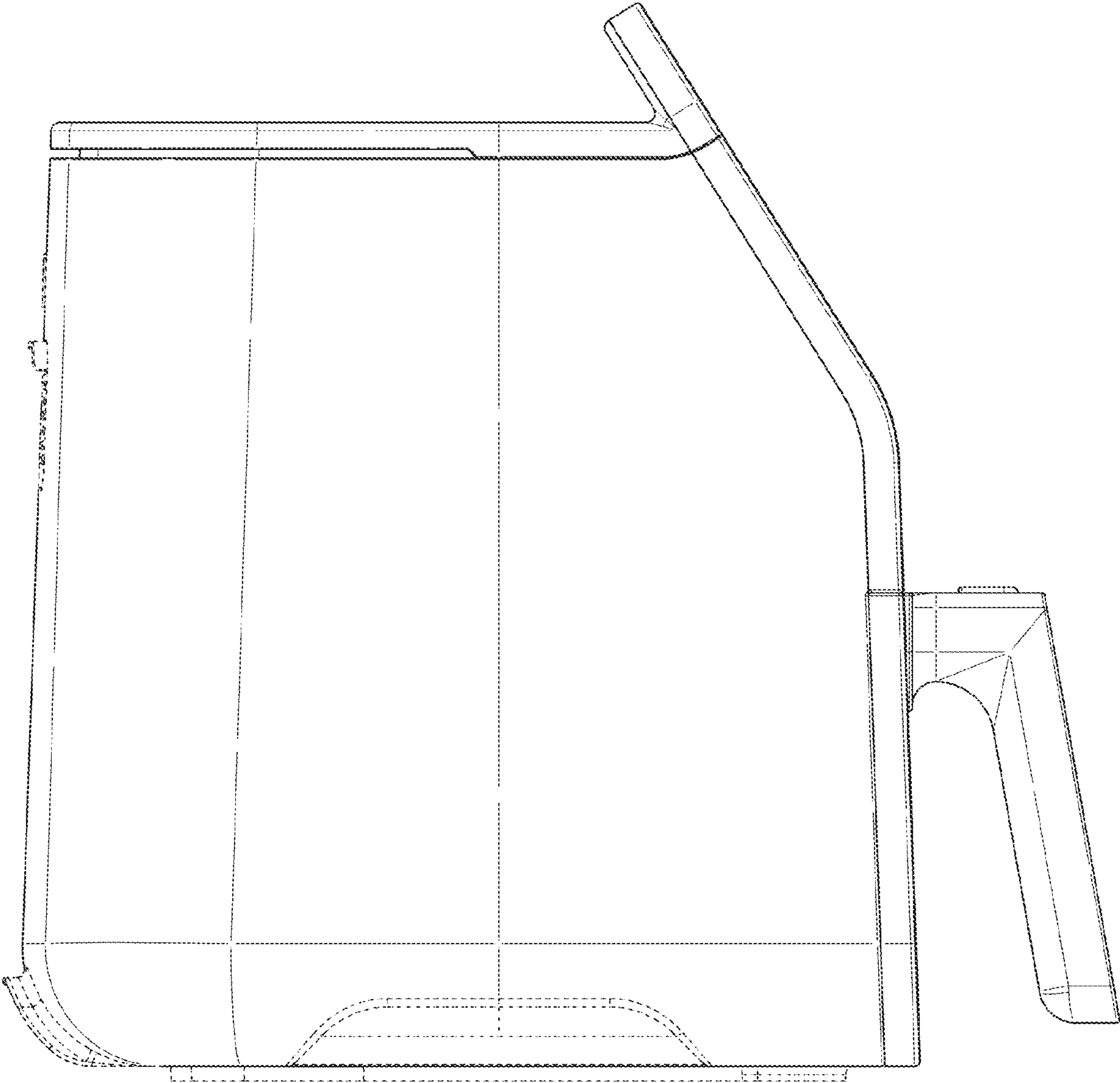
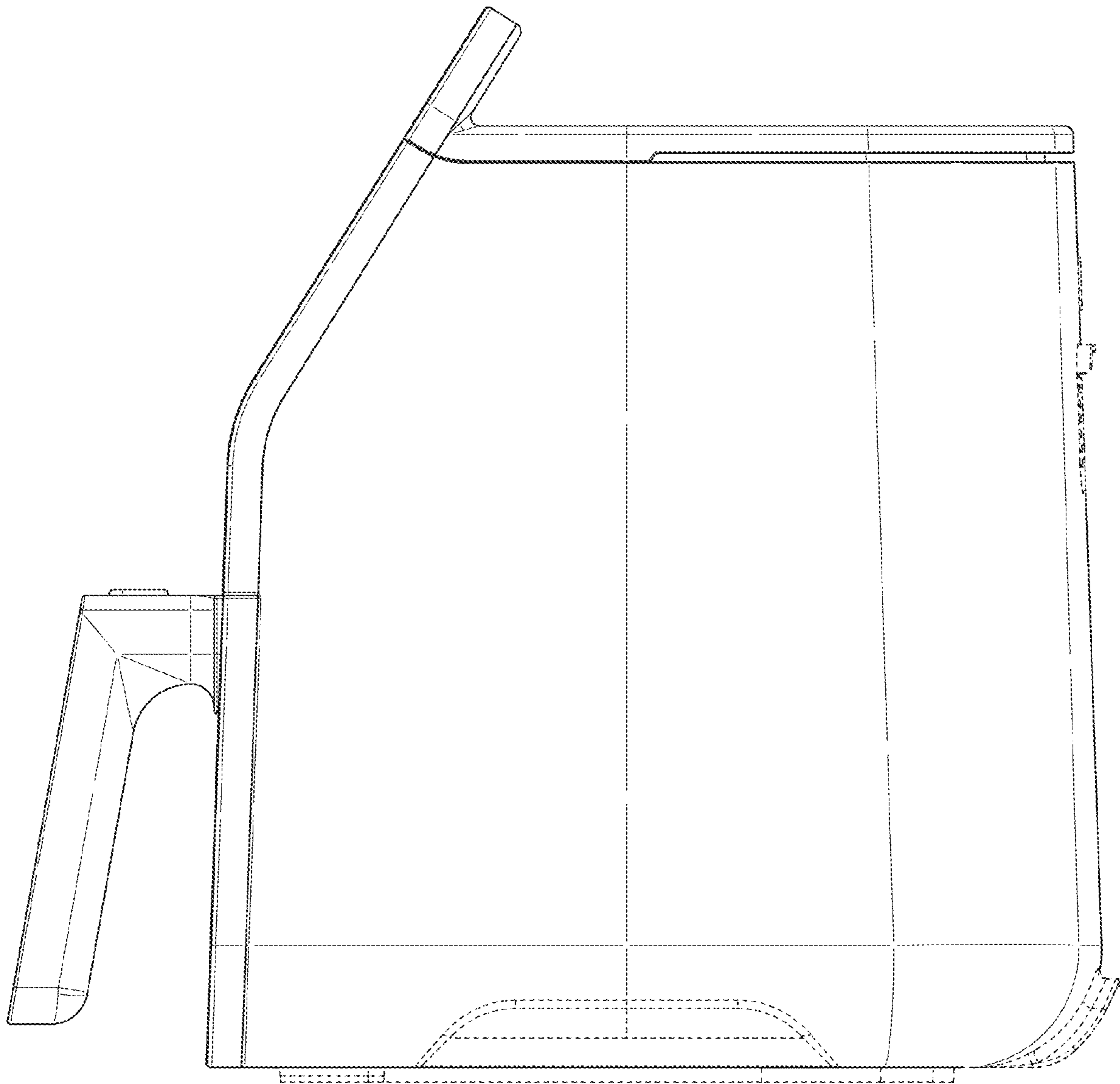
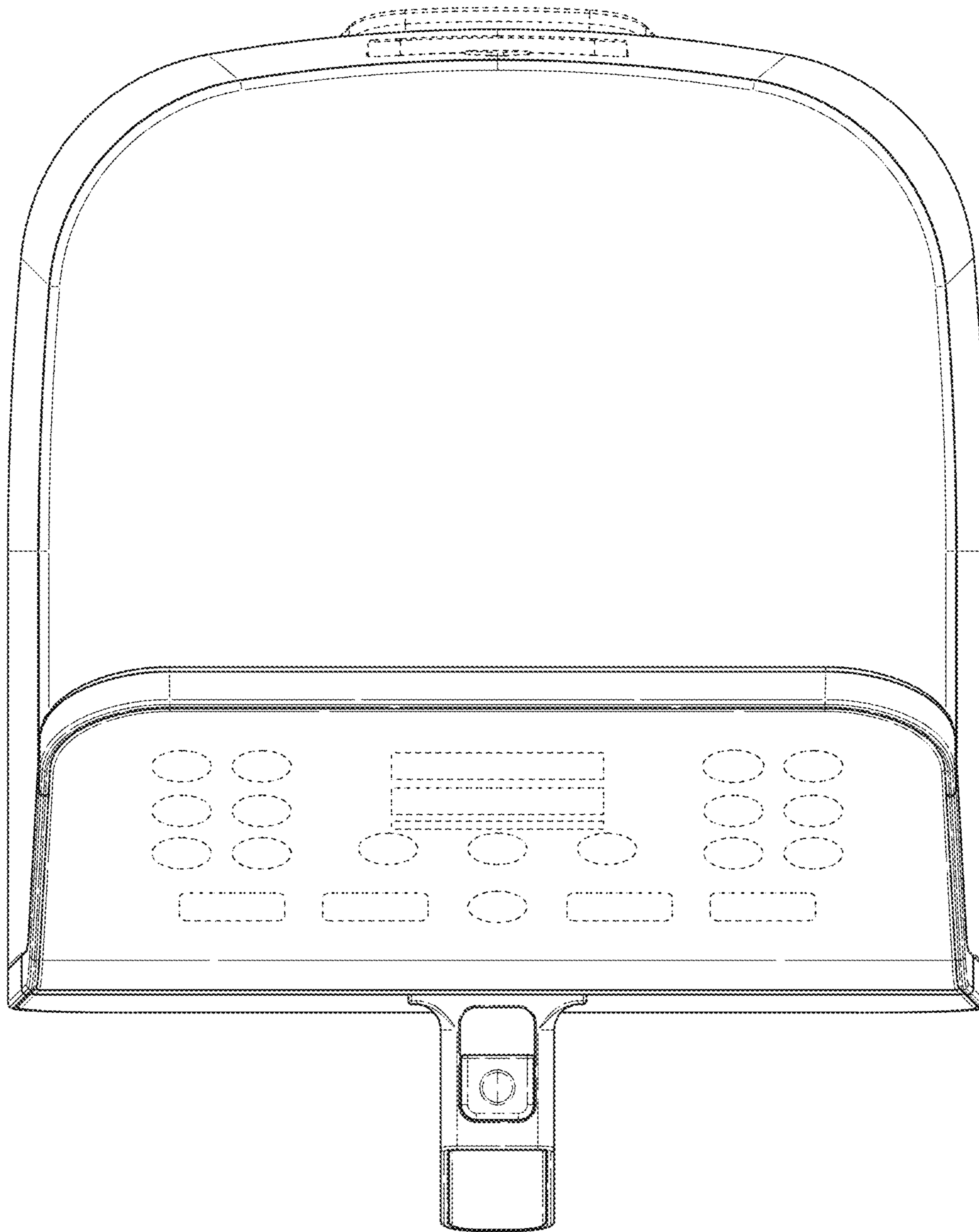


FIG. 5

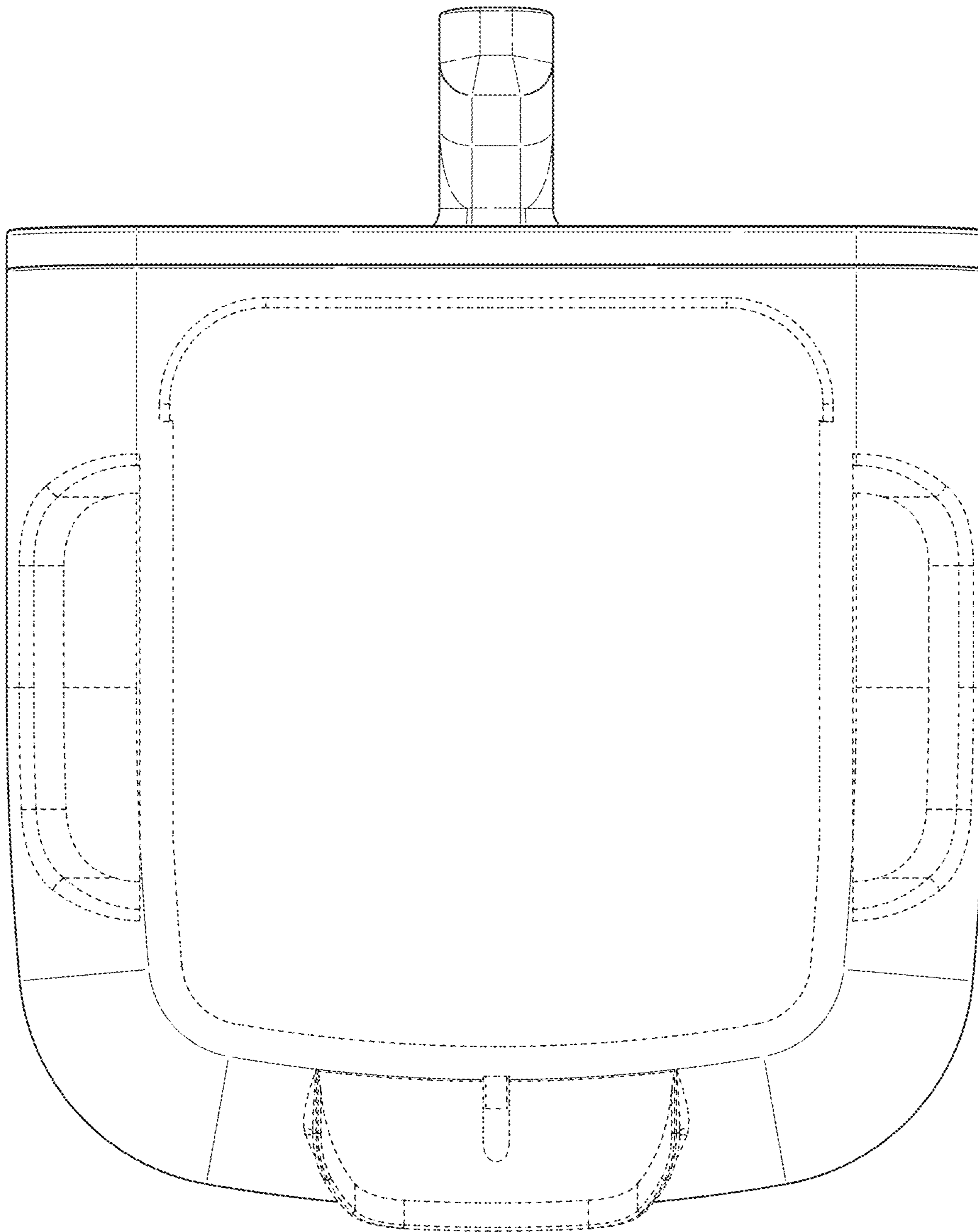


*FIG. 6*



*FIG. 7*





*FIG. 8*