



US00D970957S

(12) **United States Design Patent** (10) **Patent No.:** **US D970,957 S**  
**Reineck et al.** (45) **Date of Patent:** **\*\* Nov. 29, 2022**

(54) **ROASTING HOUSING**

(71) Applicant: **Bellwether Coffee Co.**, Berkeley, CA (US)  
 (72) Inventors: **Adam Reineck**, Mill Valley, CA (US);  
**Kimberly Noon**, Alameda, CA (US);  
**Ricardo Lopez**, Bolinas, CA (US);  
**John Sandhu**, Boulder, CO (US); **John Bennett Stoelting**, San Francisco, CA (US)

(73) Assignee: **Bellwether Coffee Co.**, Berkeley, CA (US)

(\*\*) Term: **15 Years**

(21) Appl. No.: **29/723,058**

(22) Filed: **Feb. 4, 2020**

(51) **LOC (13) Cl.** ..... **07-02**

(52) **U.S. Cl.**  
USPC ..... **D7/347**

(58) **Field of Classification Search**  
 USPC ..... D7/300, 323, 305–311, 347–349, 355,  
 D7/362, 365, 367, 397, 399, 405  
 (Continued)

(56) **References Cited**

**U.S. PATENT DOCUMENTS**

D290,330 S \* 6/1987 Lagace ..... D7/306  
 6,321,638 B1 \* 11/2001 Schmed ..... A47J 31/4403  
 99/290

(Continued)

**OTHER PUBLICATIONS**

Ryan, C., “Bellwether’s Emissions-Free, Ventless Roaster Makes Its Way into Cafes,” Nov. 8, 2018, [Online], Retrieved from the Internet: <URL: <https://www.baristamagazine.com/bellwether-coffee/>>, Retrieved on Jul. 30, 2020, 6 pages.

(Continued)

*Primary Examiner* — Ricky Pham

(74) *Attorney, Agent, or Firm* — Cooley LLP

(57) **CLAIM**

The ornamental design for a roaster housing, as shown and described.

**DESCRIPTION**

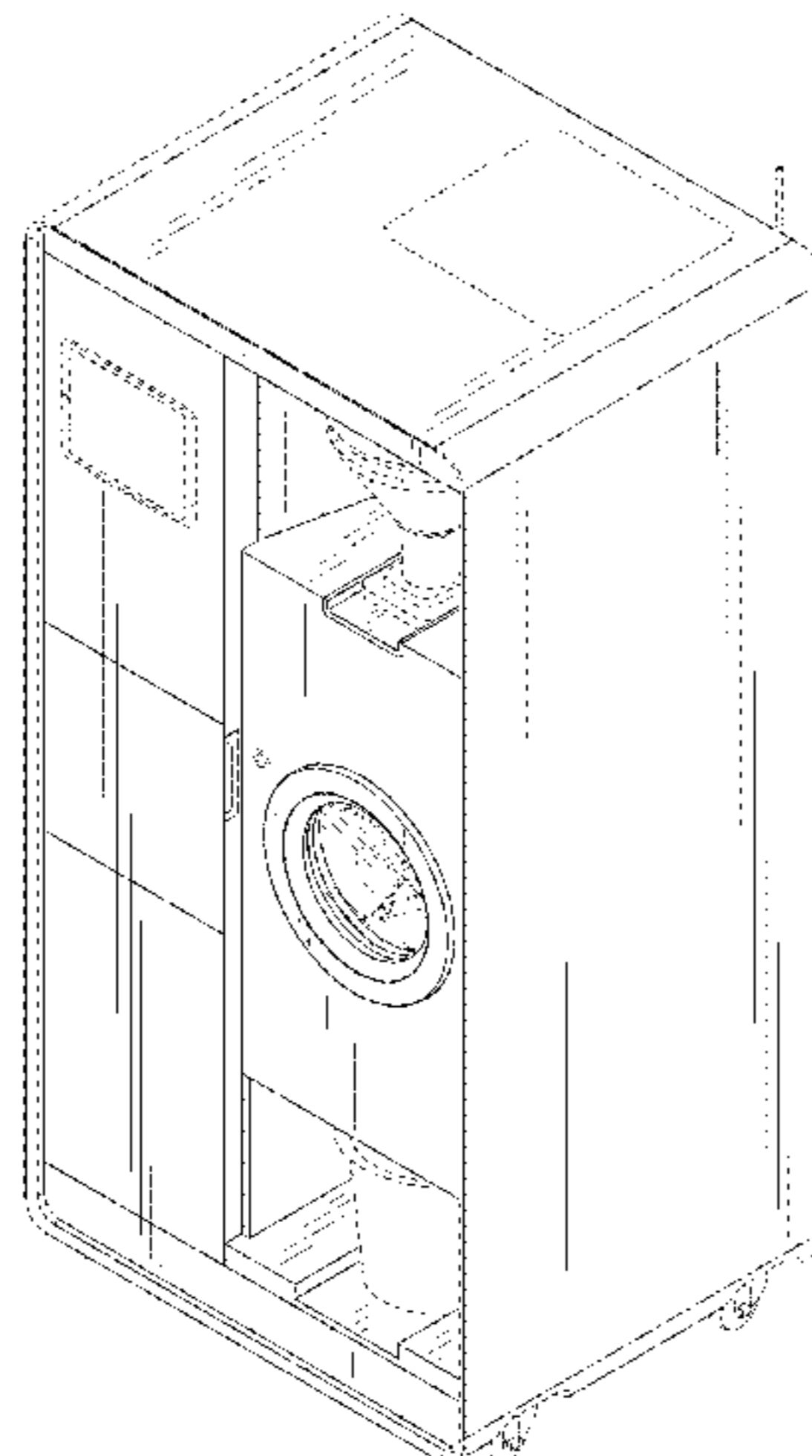
FIG. 1 is a front perspective view of a roaster housing, according to an embodiment;  
 FIG. 2 is a front view of the roaster housing illustrated in FIG. 1;  
 FIG. 3 is a rear view of the roaster housing illustrated in FIG. 1;  
 FIG. 4 is a left side view of the roaster housing illustrated in FIG. 1;  
 FIG. 5 is a right side view of the roaster housing illustrated in FIG. 1;  
 FIG. 6 is a top view of the roaster housing illustrated in FIG. 1;  
 FIG. 7 is a bottom view of the roaster housing illustrated in FIG. 1;  
 FIG. 8 is a cross-sectional view of the roaster housing of FIG. 1 taken along line 8-8 in FIG. 6; and,  
 FIG. 9 is a cross-sectional view of the roaster housing of FIG. 1 taken along line 9-9 in FIG. 2.

The broken lines are directed to environment and are for illustrative purposes only and form no part of the claimed design. The thin solid lines illustrate surface contour and form no part of the claimed design. The dot-dash lines define the boundary of the claimed design and do not form part of the claimed design.

The cross-sectional view of FIGS. 8 and 9 are provided to illustrate and help clarify the contour and/or configuration of the exterior design, and is not intended to illustrate interior features that are excluded from the claimed design. Any illustrated interior features are provided to help clarify the exterior design only, and such interior features form no part of the claimed design.

Additional embodiments are contemplated that are not explicitly shown in the illustrated embodiments. For example, some embodiments can have a dot-dash line across

(Continued)



the width (e.g., from the left side to the right side of the article) of the roaster housing at a location that is at about 25%, about 50%, or about 75% of a depth of the device between the front of the article and the back of the article as shown in that embodiment. Similarly, although not shown, some embodiments can have a dot-dash line across the width of the roaster housing at a particular location between the left side of the article and the right side of the article as shown in that embodiment. For example, such other embodiments can have a dot-dash line across the width of the roaster housing at a location that is at about 25%, about 50%, or about 75% of a width of the device between the left side and the right side of that embodiment. Some other embodiments can have a dot-dash line across the height of the roaster housing at a particular location between the top-most portion and the bottom-most portion of the roaster housing of that embodiment. For example, such other embodiments can have a dot-dash line across the height of the roaster housing at a location that is at about 25%, about 50%, or about 75% of a height of the device between the top-most portion and the bottom-most portion of the roaster housing of that embodiment. Yet some other embodiments can have at least two of (1) a dot-dash line across the width of the roaster housing at a particular location as described above between the front and the back of that embodiment, (2) a dot-dash line across the length of the roaster housing at a particular location as described above between the left side and the right side of that embodiment, and (3) a dot-dash line across the height of the roaster housing at a particular location as described above between the top-most portion and the bottom-most portion of that embodiment. As used herein, the term “about” when used in conjunction with a numerical value generally refers to those numerical values near to a recited numerical value. For example, in some instances, “about 25%” can mean within  $\pm 10\%$  of the recited value. In other instances, the terms “about” and “approximately” can mean within  $\pm 9\%$ ,  $\pm 8\%$ ,  $\pm 7\%$ ,  $\pm 6\%$ ,  $\pm 5\%$ ,  $\pm 4\%$ ,  $\pm 3\%$ ,  $\pm 2\%$ ,  $\pm 1\%$ , or less than  $\pm 1\%$ . Furthermore, although a numerical value modified by the term “about” can allow for and/or otherwise encompass a tolerance of the stated numerical value, it is not intended to exclude the exact numerical value stated.

Additionally, although embodiments herein illustrate blades viewable through a circular window, which blades have a linear edge and non-linear edge, in other embodiments the shape of the edges of one or more blades can be reversed such that a linear edge as shown instead has a non-linear edge that is a mirror image to the non-linear edge shown and

the non-linear edge shown has a linear edge. In other embodiments, each edge of the blade can be linear.

**1 Claim, 9 Drawing Sheets**

(58) **Field of Classification Search**

CPC .. A47J 27/04; A47J 31/00; A47J 31/18; A47J 31/46; A47J 31/50; A47J 31/52; A47J 31/54; A47J 31/407; A47J 31/4403; A47J 31/4428; A47J 31/0573; A47J 45/00; A47J 45/02; B67D 7/421; F24C 3/00; F24C 3/14; F24C 7/00; F24C 7/105; F24C 14/00; F24C 14/025; F24C 15/00; F24C 15/18

See application file for complete search history.

(56) **References Cited**

U.S. PATENT DOCUMENTS

7,886,653	B2 *	2/2011	Marconi .....	A47J 31/4403 99/290
D675,472	S *	2/2013	Strayle .....	D7/311
8,496,032	B2 *	7/2013	Miller .....	B67D 7/421 137/313
D726,492	S *	4/2015	Lee .....	D7/347
D726,493	S *	4/2015	Lee .....	D7/311
D790,899	S *	7/2017	Trazzi .....	D7/311
D805,831	S *	12/2017	Sadtler .....	D7/311
D836,965	S *	1/2019	Goss .....	D7/347
10,362,798	B2	7/2019	Lopez et al.	
D856,745	S	8/2019	Heineman et al.	
D859,055	S *	9/2019	Baacke .....	D7/348
10,448,663	B2	10/2019	Min et al.	
10,602,764	B2	3/2020	Lopez et al.	
D906,031	S *	12/2020	Iotti .....	D7/311
2008/0178742	A1 *	7/2008	Marconi .....	A47J 31/4428 99/290
2019/0208798	A1	7/2019	Voges et al.	
2019/0320702	A1	10/2019	Sandhu et al.	
2019/0320703	A1	10/2019	Sandhu et al.	
2019/0373940	A1	12/2019	Voges et al.	

OTHER PUBLICATIONS

Cadwalader, Z., Sprudge, “Bellwether coffee wants to be a one-stop shop for new roasters,” Aug. 31, 2018, [Online], Retrieved from the Internet: <URL: <https://sprudge.com/bellwether-coffee-wants-to-be-a-one-stop-shop-for-new-roasters-136385.html>>, Retrieved on Jul. 30, 2020, 1 page.

\* cited by examiner



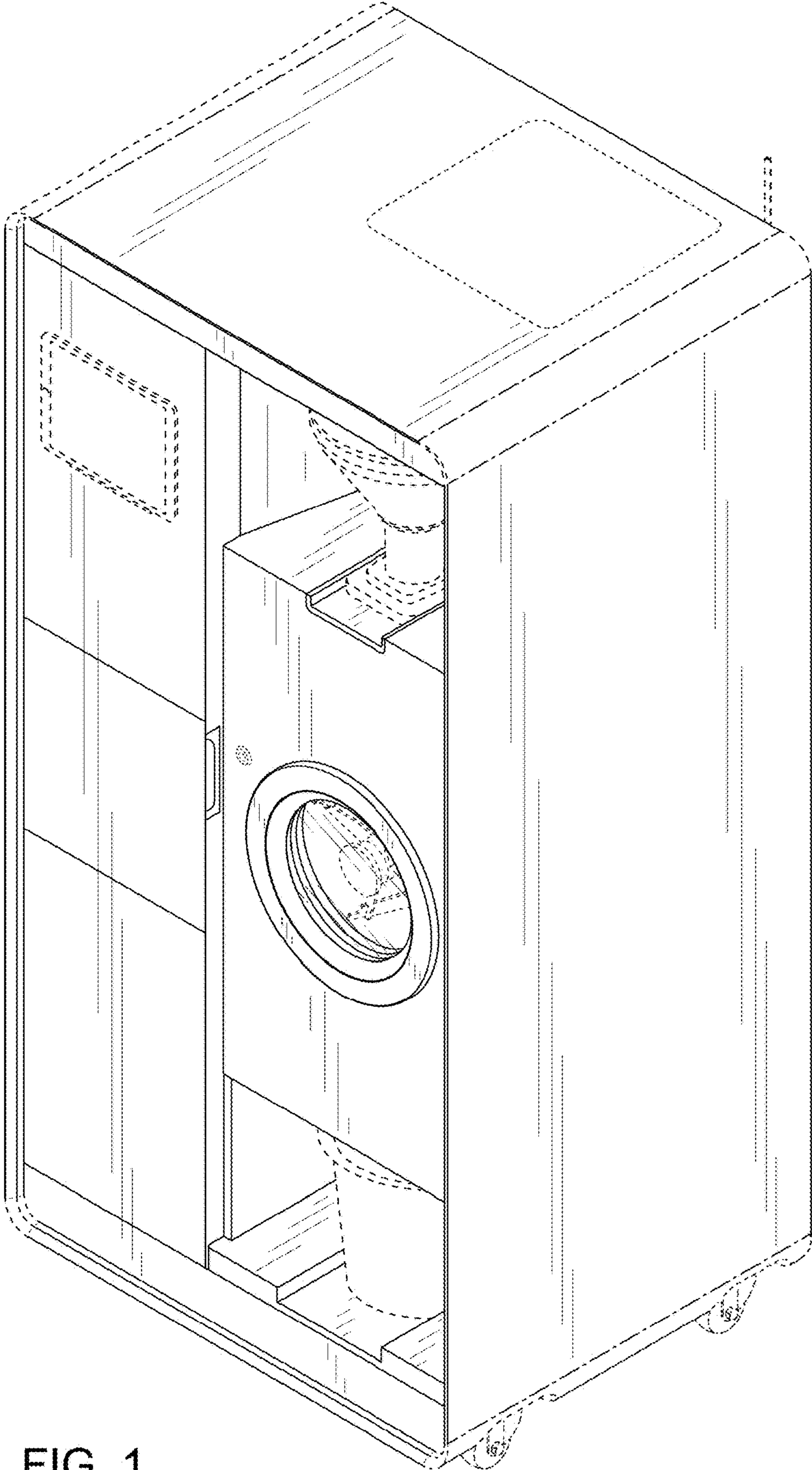


FIG. 1

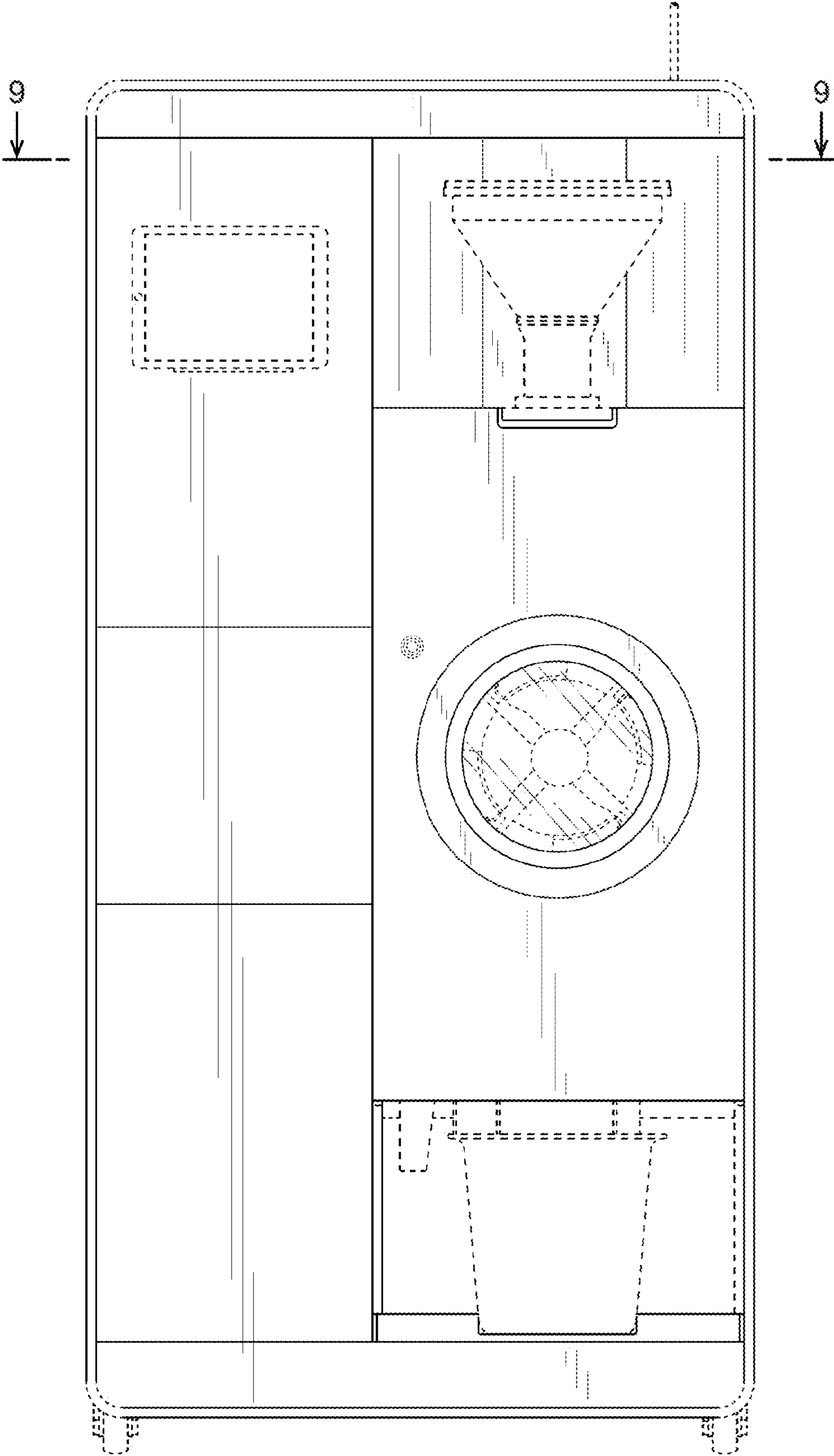


FIG. 2

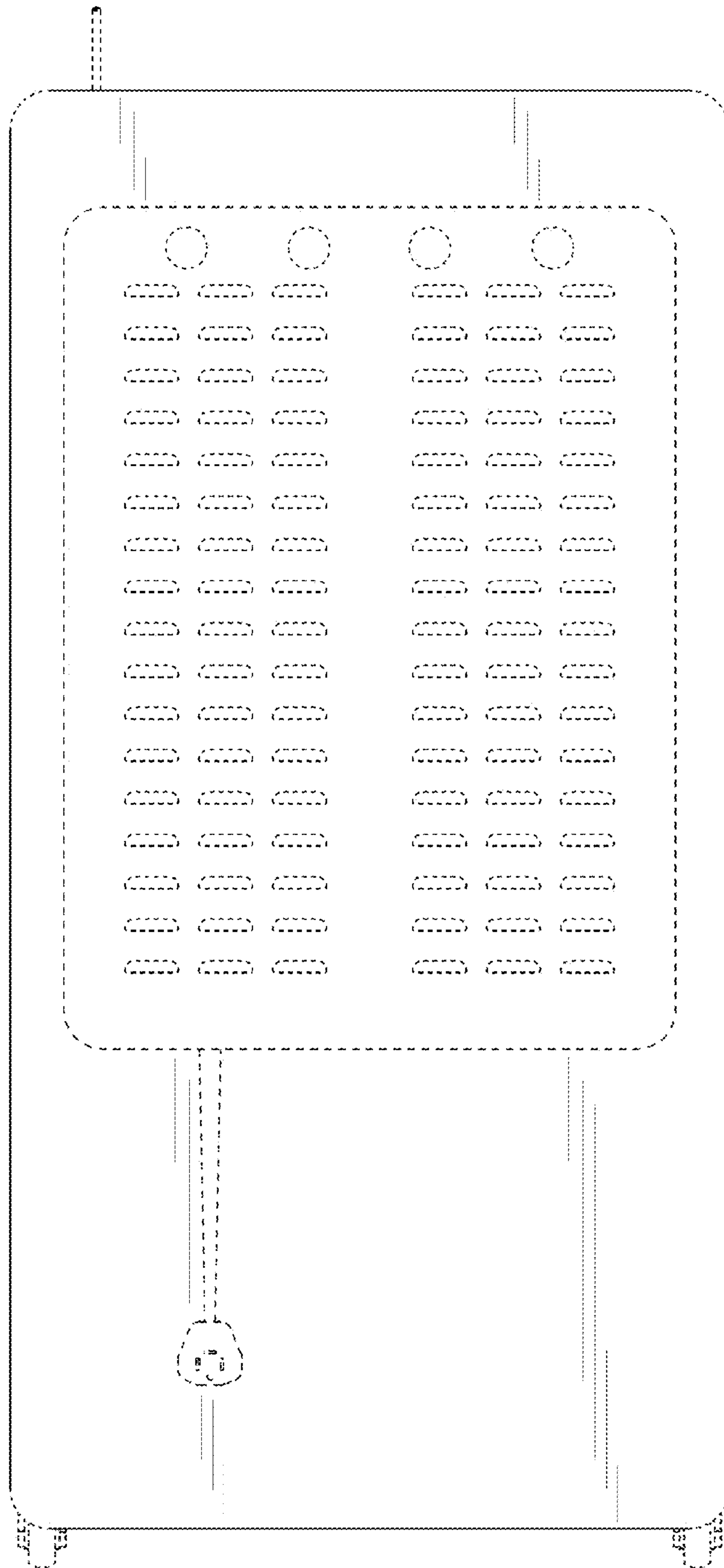


FIG. 3

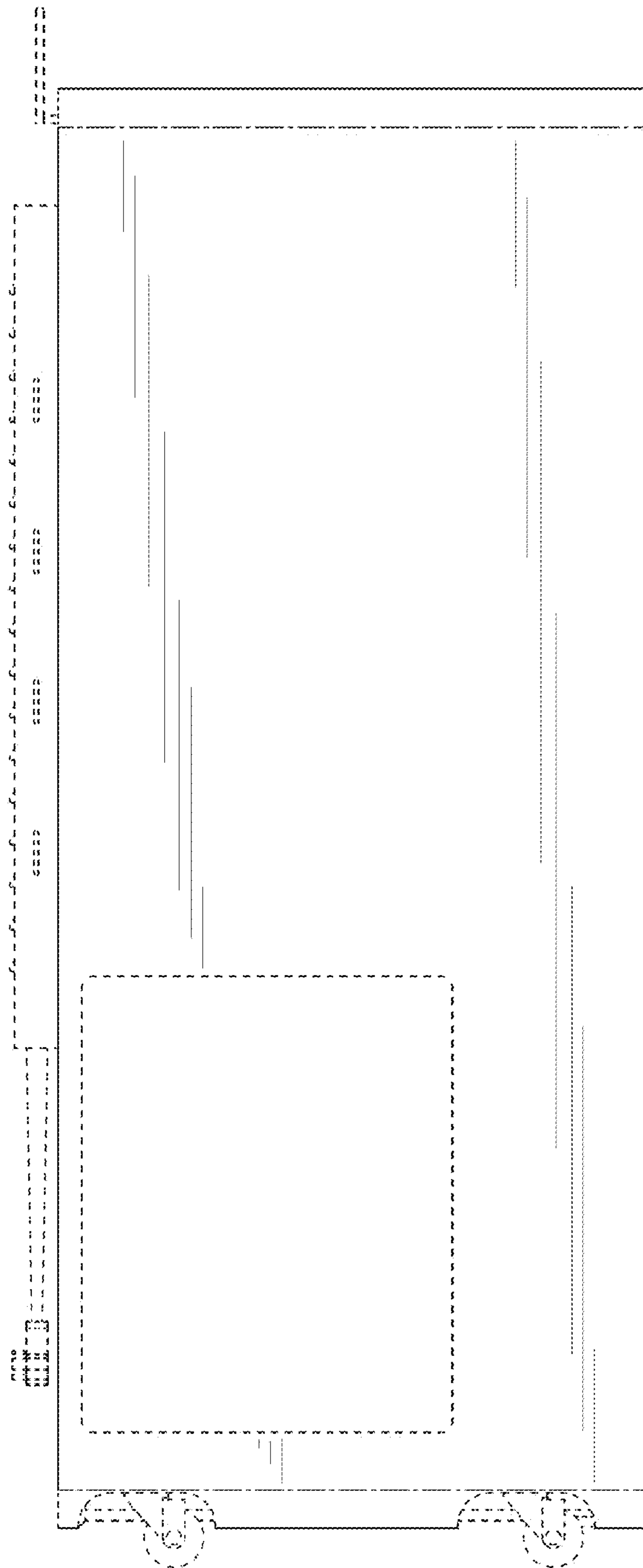


FIG. 4

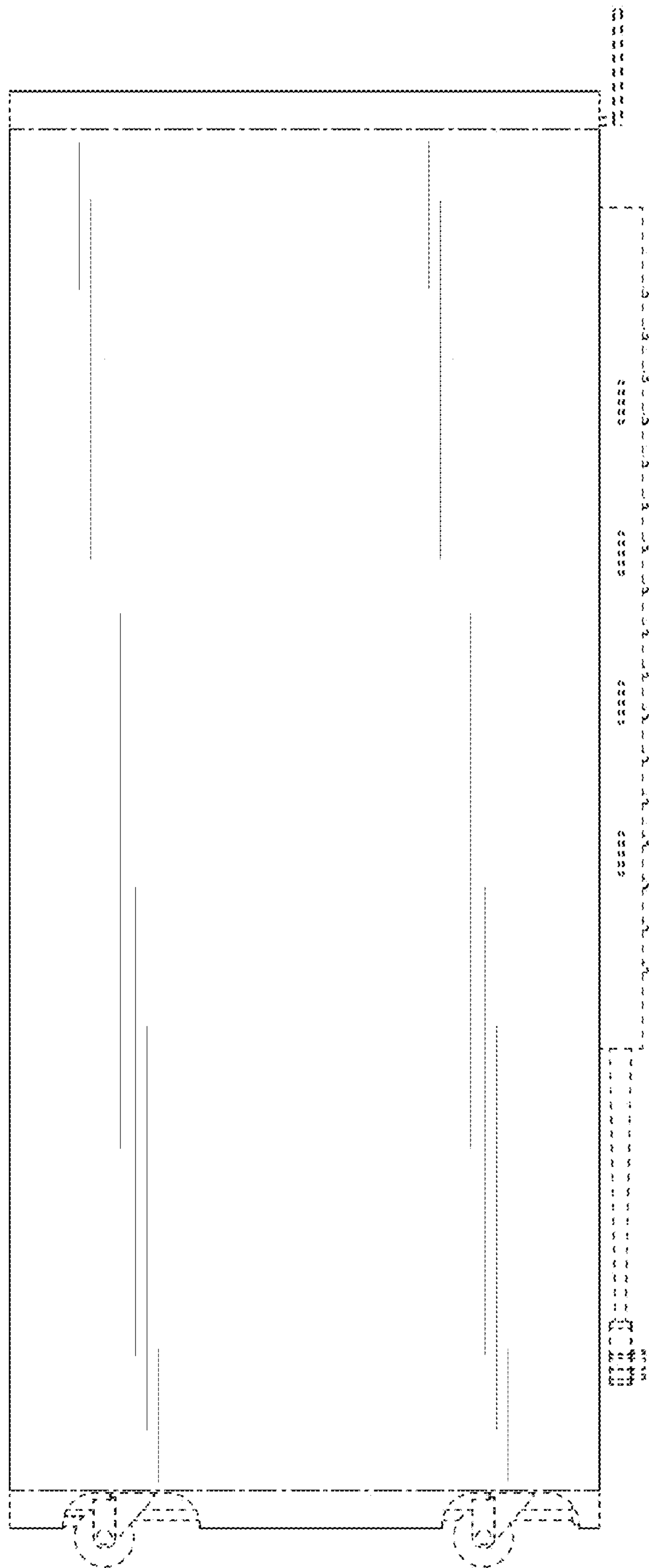


FIG. 5

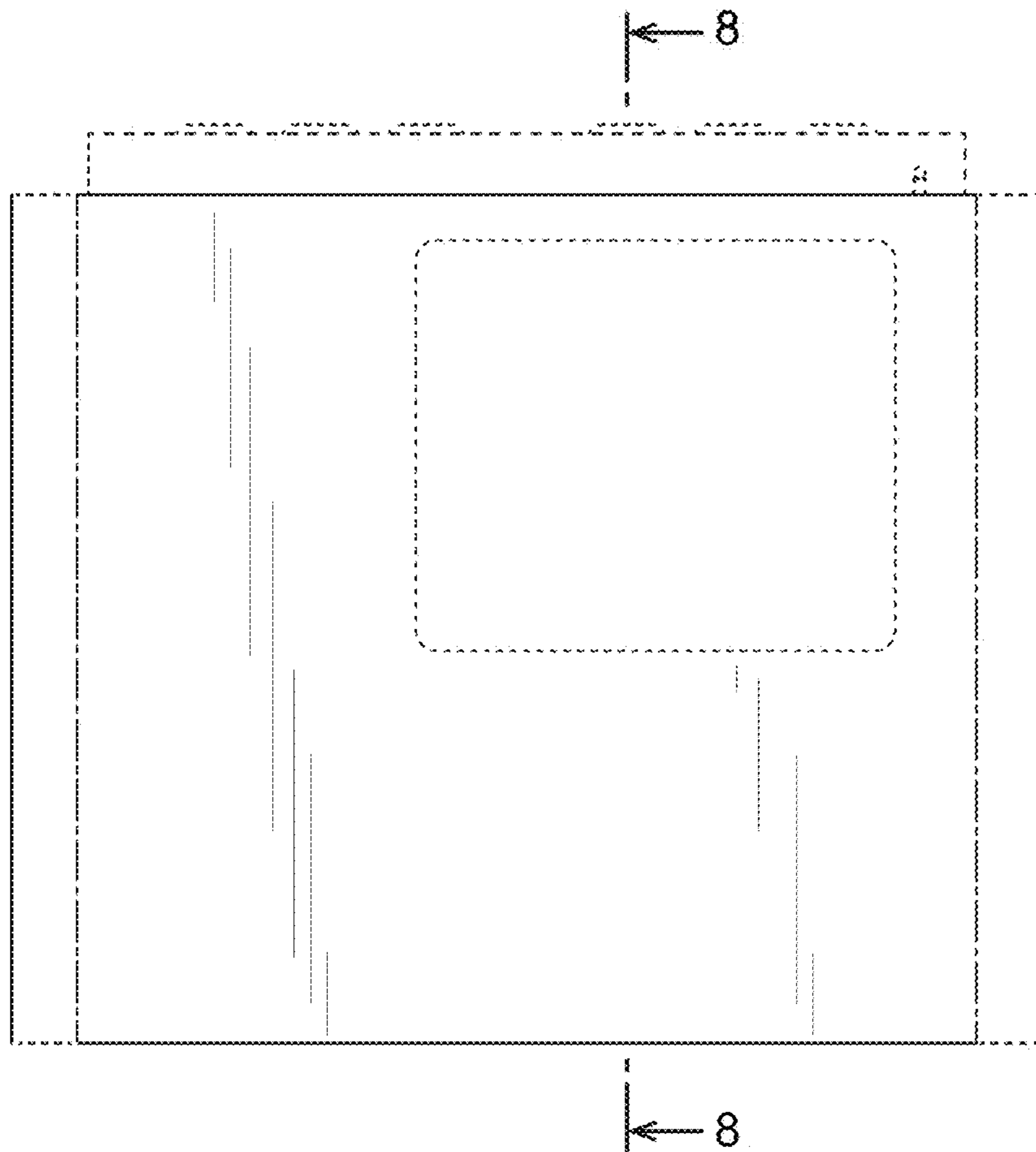


FIG. 6



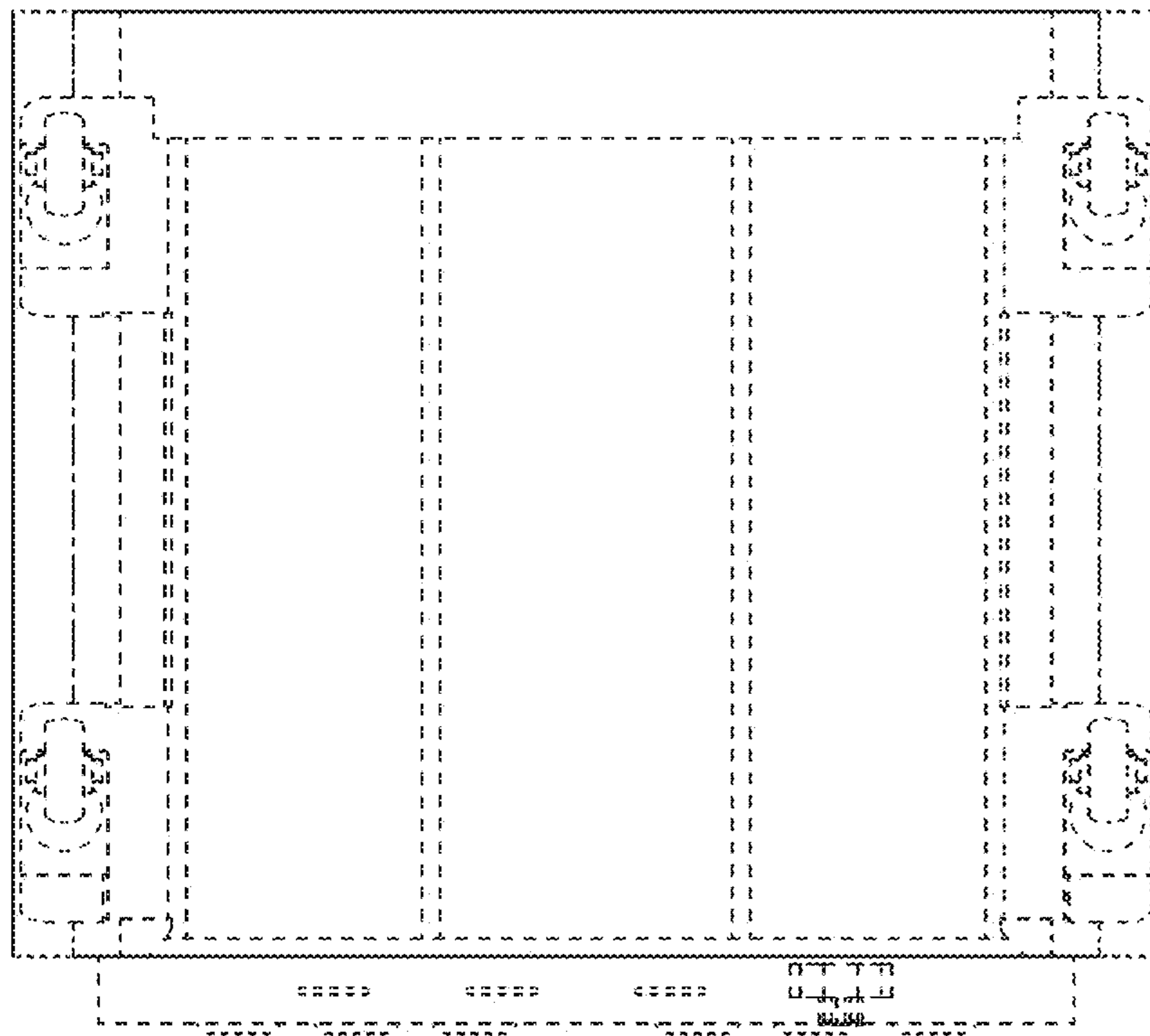


FIG. 7

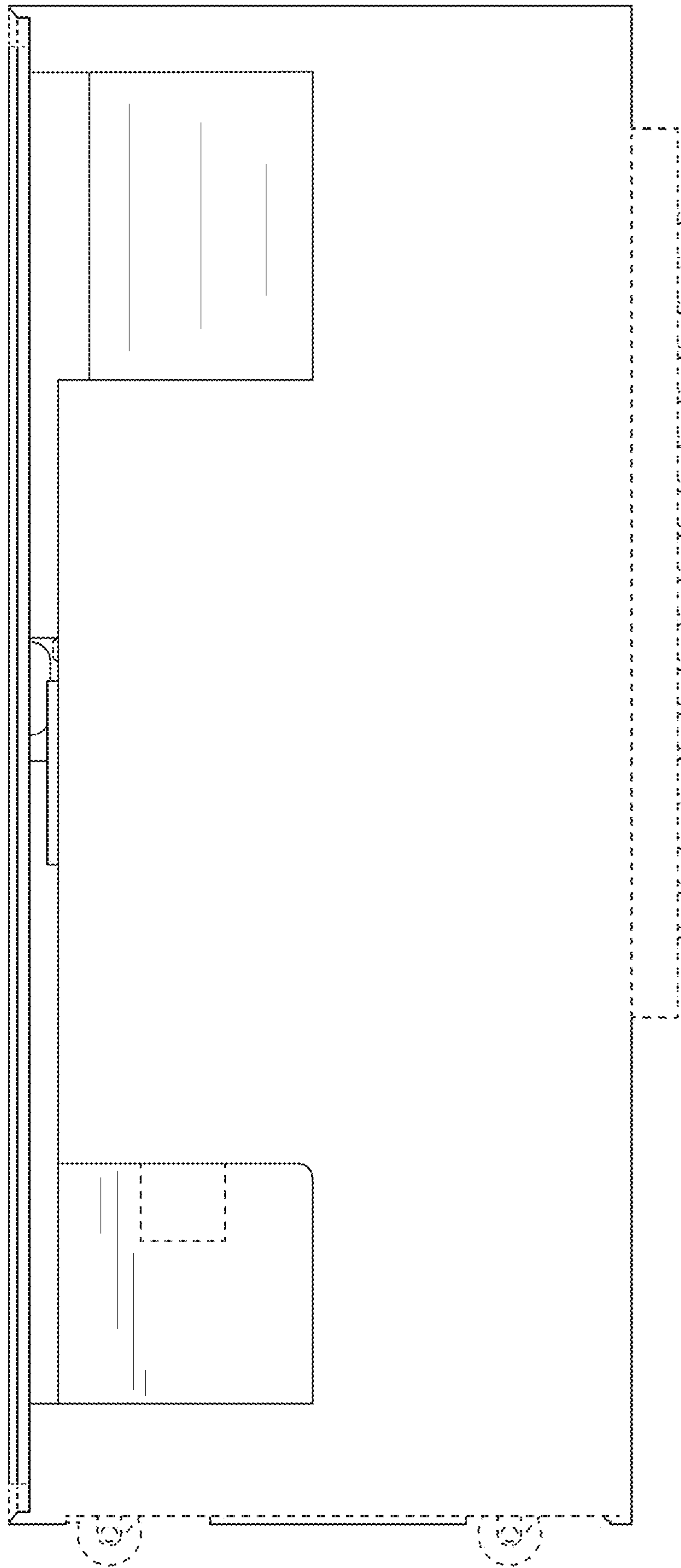


FIG. 8

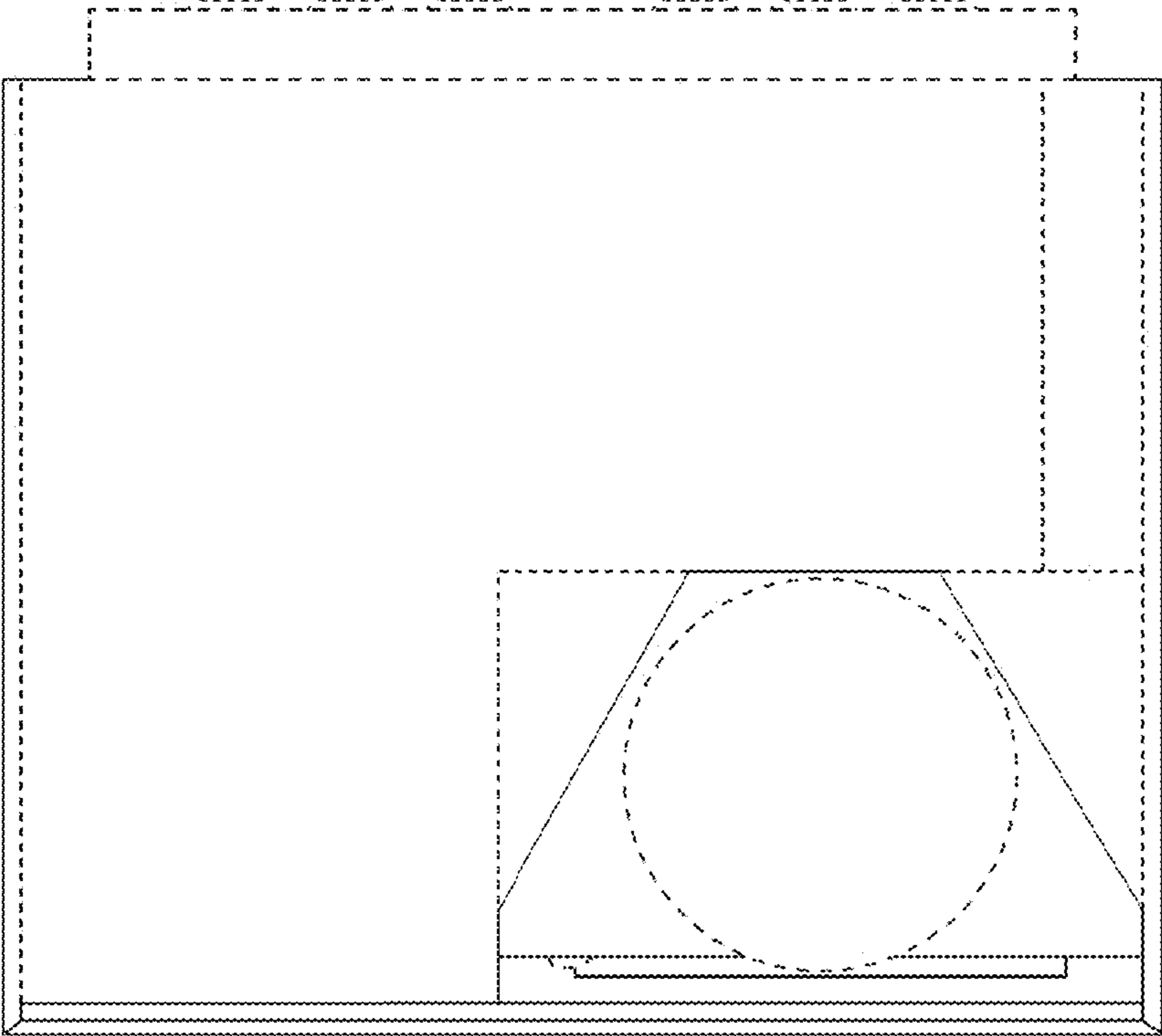


FIG. 9

UNITED STATES PATENT AND TRADEMARK OFFICE  
**CERTIFICATE OF CORRECTION**

PATENT NO. : D970,957 S  
APPLICATION NO. : 29/723058  
DATED : November 29, 2022  
INVENTOR(S) : Adam Reineck et al.

Page 1 of 1

It is certified that error appears in the above-identified patent and that said Letters Patent is hereby corrected as shown below:

On the Title Page

In the Title, Item (54):

**“ROASTING HOUSING”**

Should read:

**-- ROASTER HOUSING --**

Signed and Sealed this  
Ninth Day of May, 2023



Katherine Kelly Vidal  
*Director of the United States Patent and Trademark Office*