

US00D970955S

(12) **United States Design Patent** (10) **Patent No.:** **US D970,955 S**
Yu (45) **Date of Patent:** **** Nov. 29, 2022**

(54) **PIZZA OVEN**

(71) Applicant: **Guangdong Sheng Bao Industrial Co., Ltd.**, Foshan (CN)

(72) Inventor: **Puyu Yu**, Foshan (CN)

(**) Term: **15 Years**

(21) Appl. No.: **29/791,534**

(22) Filed: **Feb. 28, 2022**

(30) **Foreign Application Priority Data**

Dec. 21, 2021 (CN) 202130845241.7

(51) **LOC (13) Cl.** **07-02**

(52) **U.S. Cl.**
USPC **D7/339**

(58) **Field of Classification Search**
USPC D7/323, 328–334, 339–349, 350.1, 390, D7/402–406; D8/300–306; D23/342, D23/343
CPC ... A21B 2/00; A47J 37/00; A47J 37/06; A47J 37/0611; A47J 37/0704; A47J 37/08; A47J 37/0807; A47J 37/0814; A47J 37/0835; A47J 37/0842; A47J 37/085; A47J 37/0864; A47J 37/0878; A47J 37/0885; A47J 37/0892; F24B 1/205; F24B 5/087; F24C 7/00; F24C 7/002; F24C 7/046; F24C 7/067; F24C 15/02; F24C 15/04; F24C 15/10; F24C 15/102
See application file for complete search history.

(56) **References Cited**

U.S. PATENT DOCUMENTS

- 1,199,605 A * 9/1916 Potter F24B 1/205 126/29
- D693,166 S * 11/2013 Measom D7/350.1
- D746,625 S * 1/2016 Miller et al.
- D775,489 S * 1/2017 Zemel D7/332
- D845,695 S * 4/2019 Wu D7/334
- D849,908 S * 5/2019 Wu D23/343

(Continued)

OTHER PUBLICATIONS

Bakebros by Foodparty Outdoor Pizza Oven. Date First Available on Amazon.com Jun. 30, 2021. <https://www.amazon.com/dp/B0989VK3X1/ref> (Year: 2021).*

Primary Examiner — Ricky Pham

(57) **CLAIM**

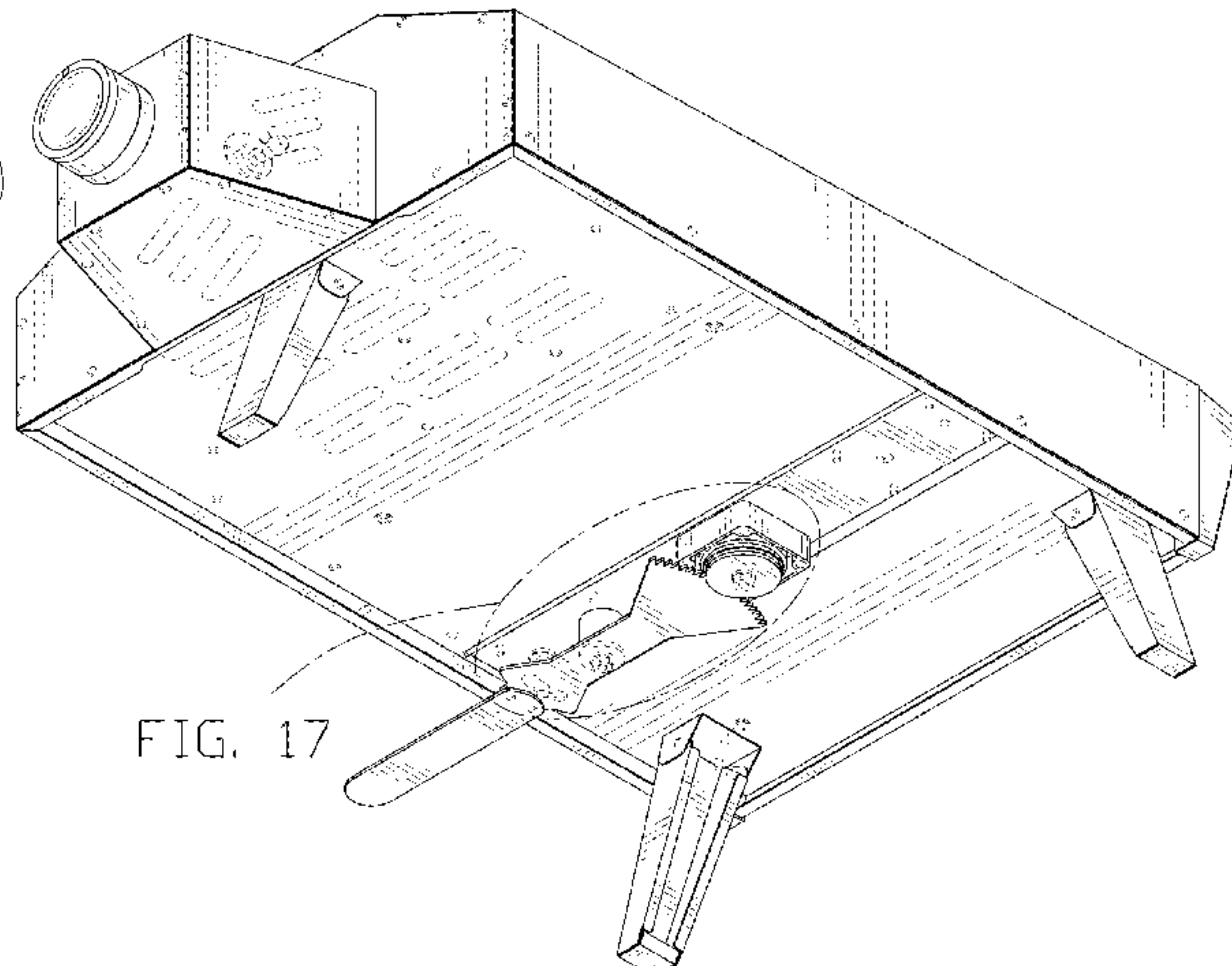
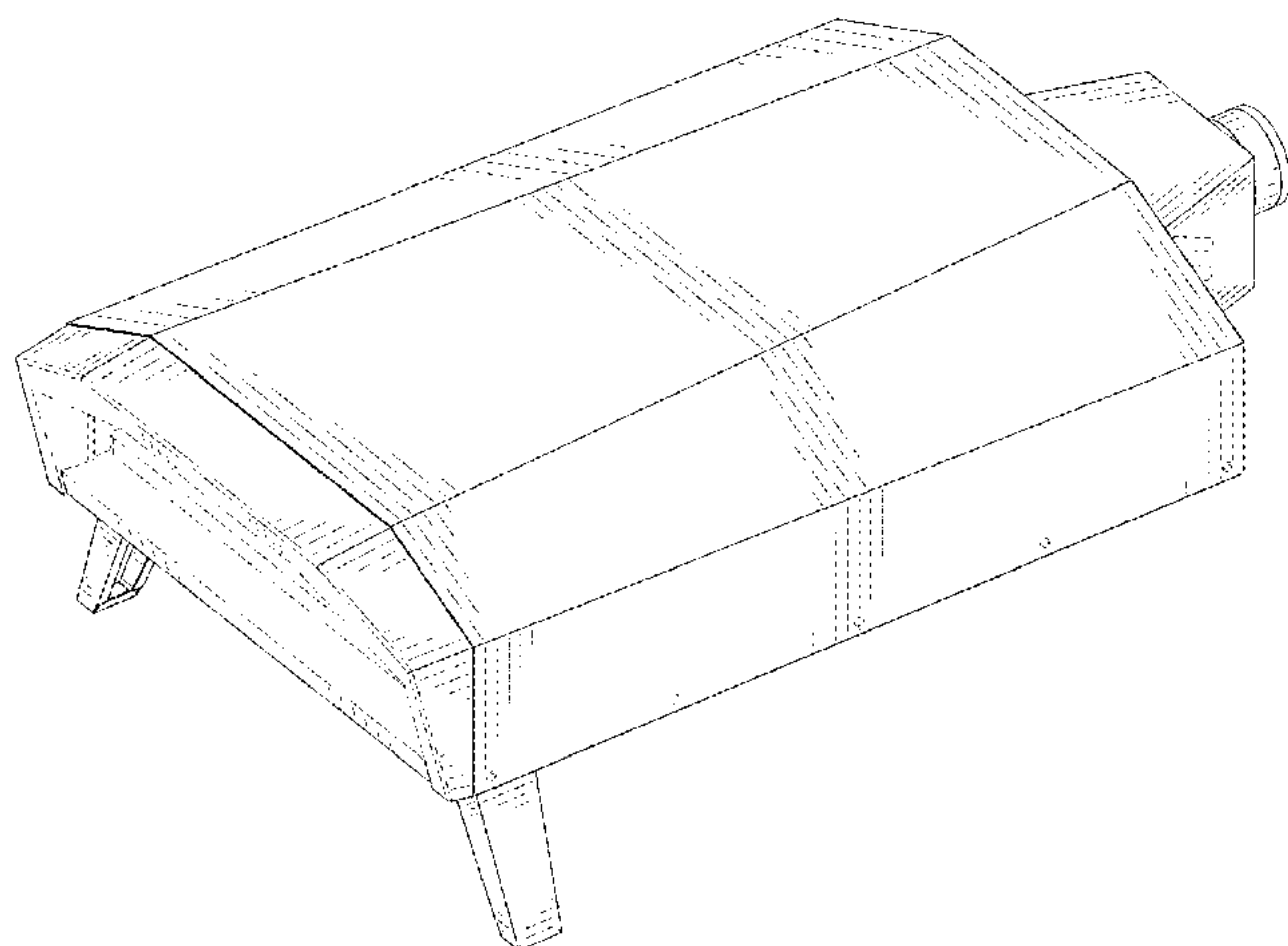
The ornamental design for a pizza oven, as shown and described.

DESCRIPTION

FIG. 1 is a front and top perspective view of a first embodiment of a pizza oven, showing my new design; FIG. 2 is a rear and bottom perspective view thereof; FIG. 3 is a front elevation view thereof; FIG. 4 is a rear elevation view thereof; FIG. 5 is a left side elevation view thereof; FIG. 6 is a right side elevation view thereof; FIG. 7 is a top plan view thereof; FIG. 8 is a bottom plan view thereof; FIG. 9 is a front and top perspective view of a second embodiment of the pizza oven; FIG. 10 is a rear and bottom perspective view thereof; FIG. 11 is a front view thereof; FIG. 12 is a rear view thereof; FIG. 13 is a left side view thereof; FIG. 14 is a right side view thereof; FIG. 15 is a top view thereof; FIG. 16 is a bottom view thereof; and, FIG. 17 is an enlarged view of a portion labeled, 'FIG. 17' in FIG. 10.

The broken lines in the figures illustrate portions of the pizza oven that form no part of the claimed design. The dash dot dash lines in FIGS. 10 and 17 are for the purpose of depicting the boundary lines of the enlarged view and form no part of the claimed design.

1 Claim, 17 Drawing Sheets



(56)

References Cited

U.S. PATENT DOCUMENTS

D853,774 S * 7/2019 Tapaninaho D7/339
D862,969 S * 10/2019 Tapaninaho D7/339
D909,551 S * 2/2021 Wu D23/342
D925,962 S * 7/2021 Tapaninaho D7/332
2018/0213973 A1* 8/2018 Tapaninaho F24B 5/087
2019/0049117 A1* 2/2019 Tapaninaho A47J 37/0704

* cited by examiner

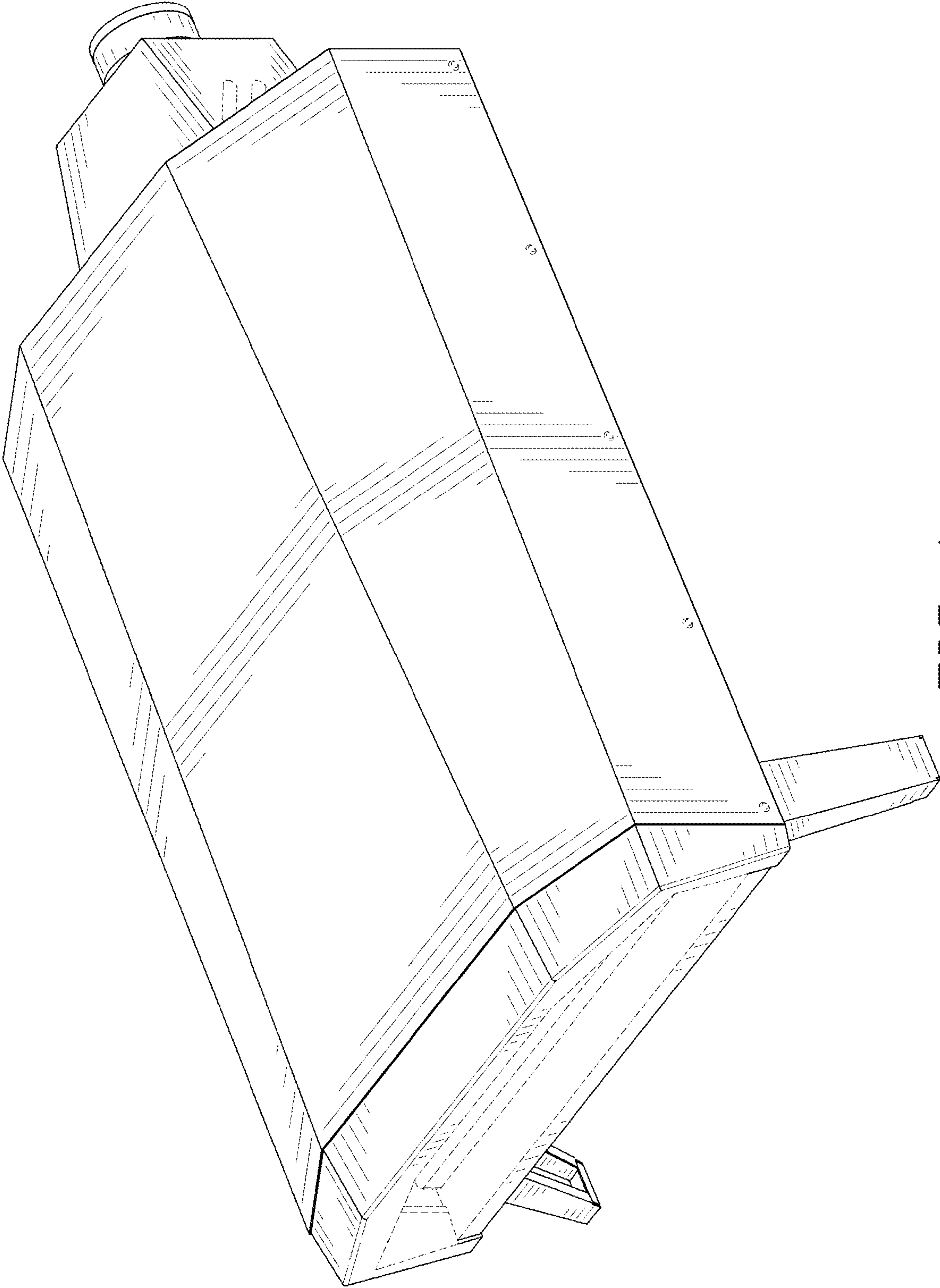


FIG. 1

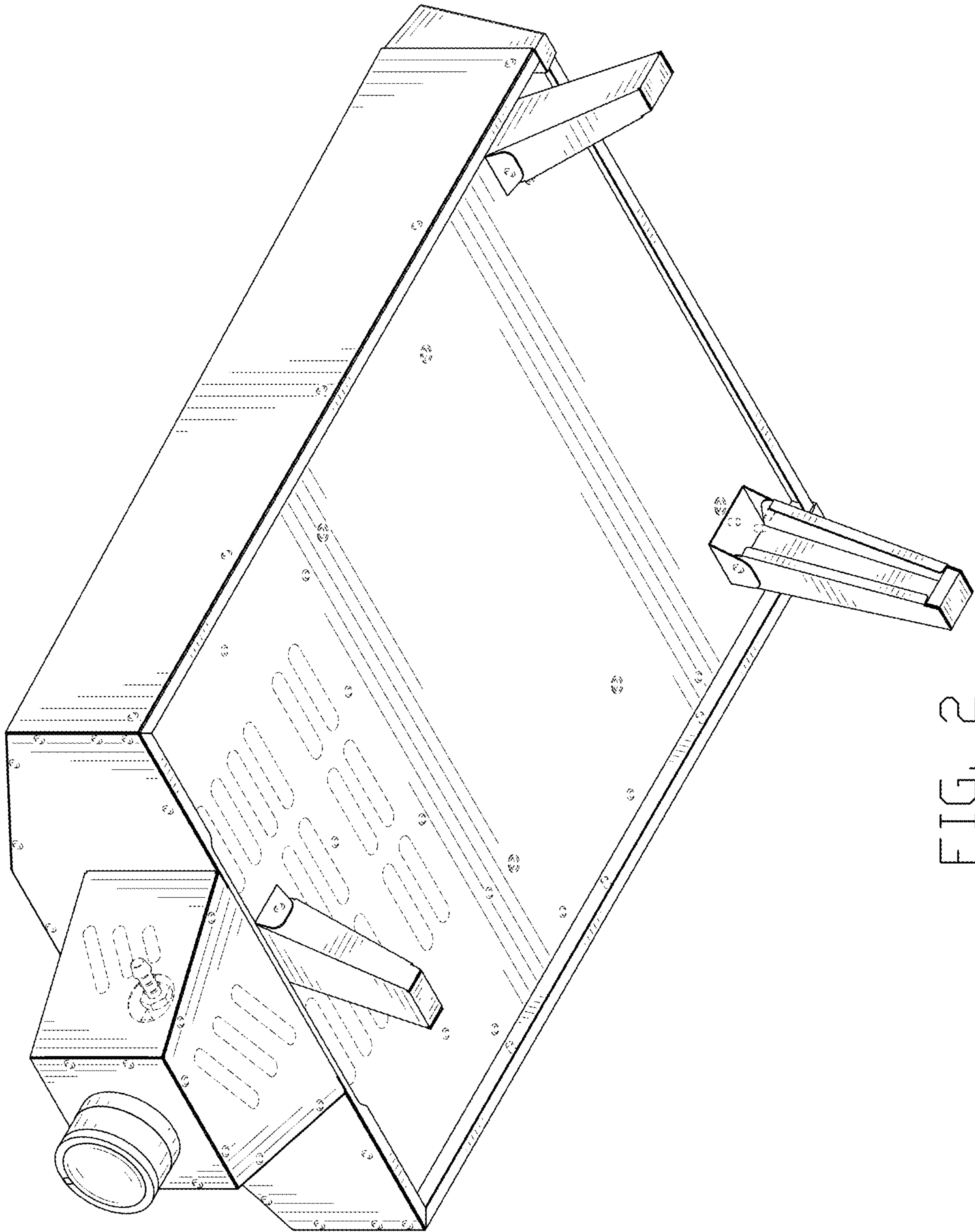


FIG. 2

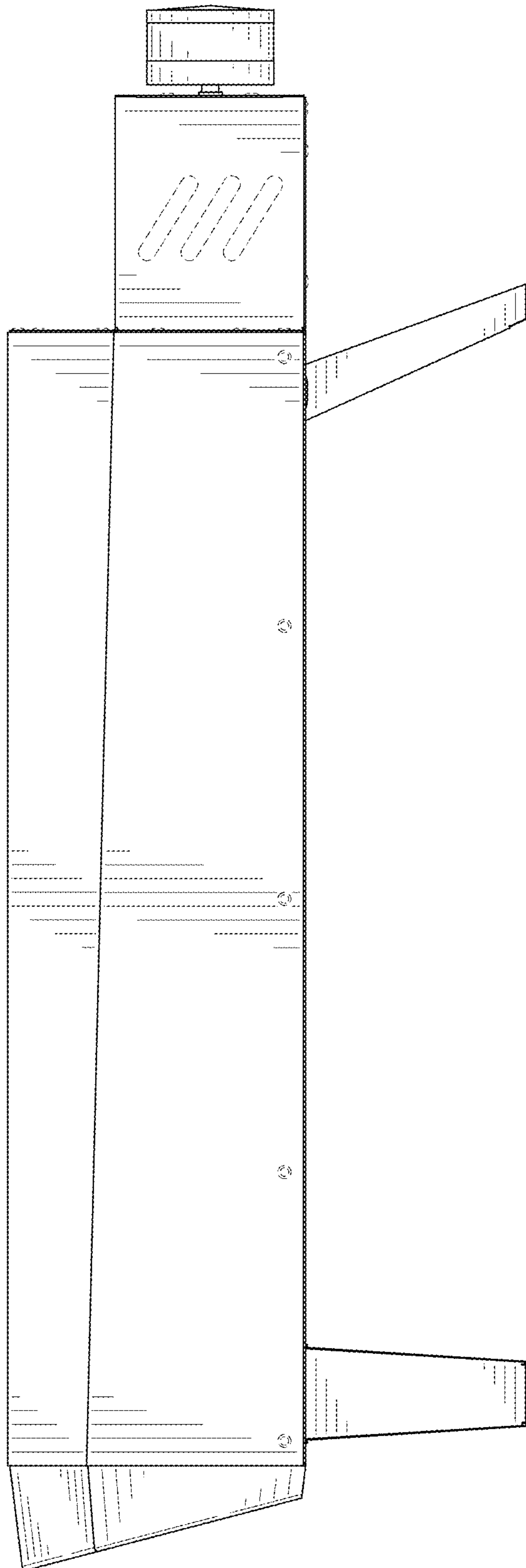


FIG. 3

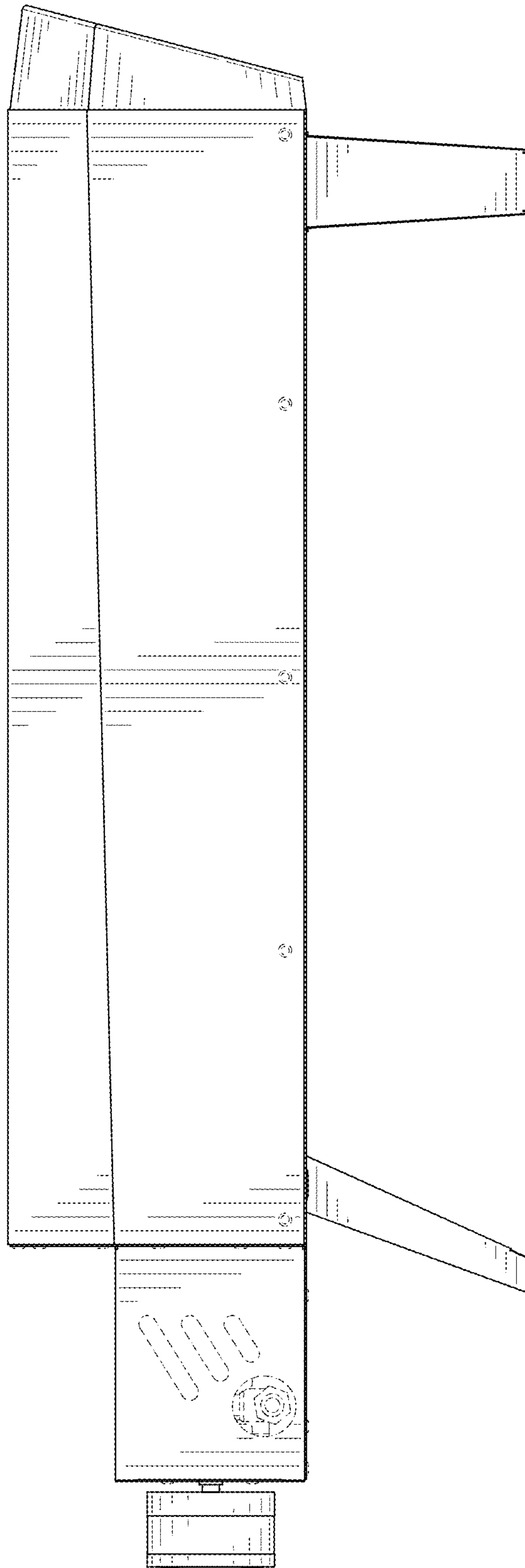


FIG. 4

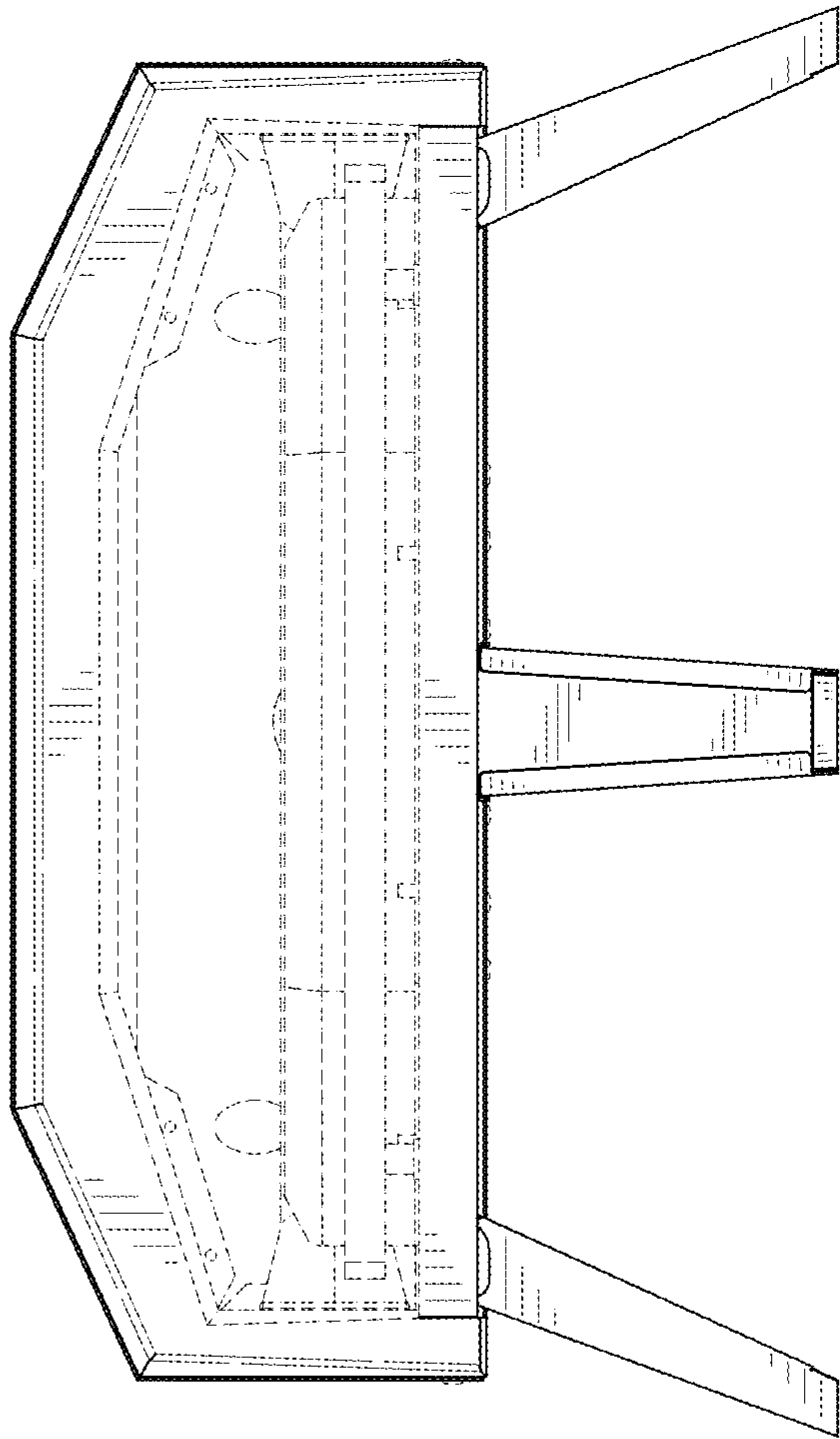


FIG. 5

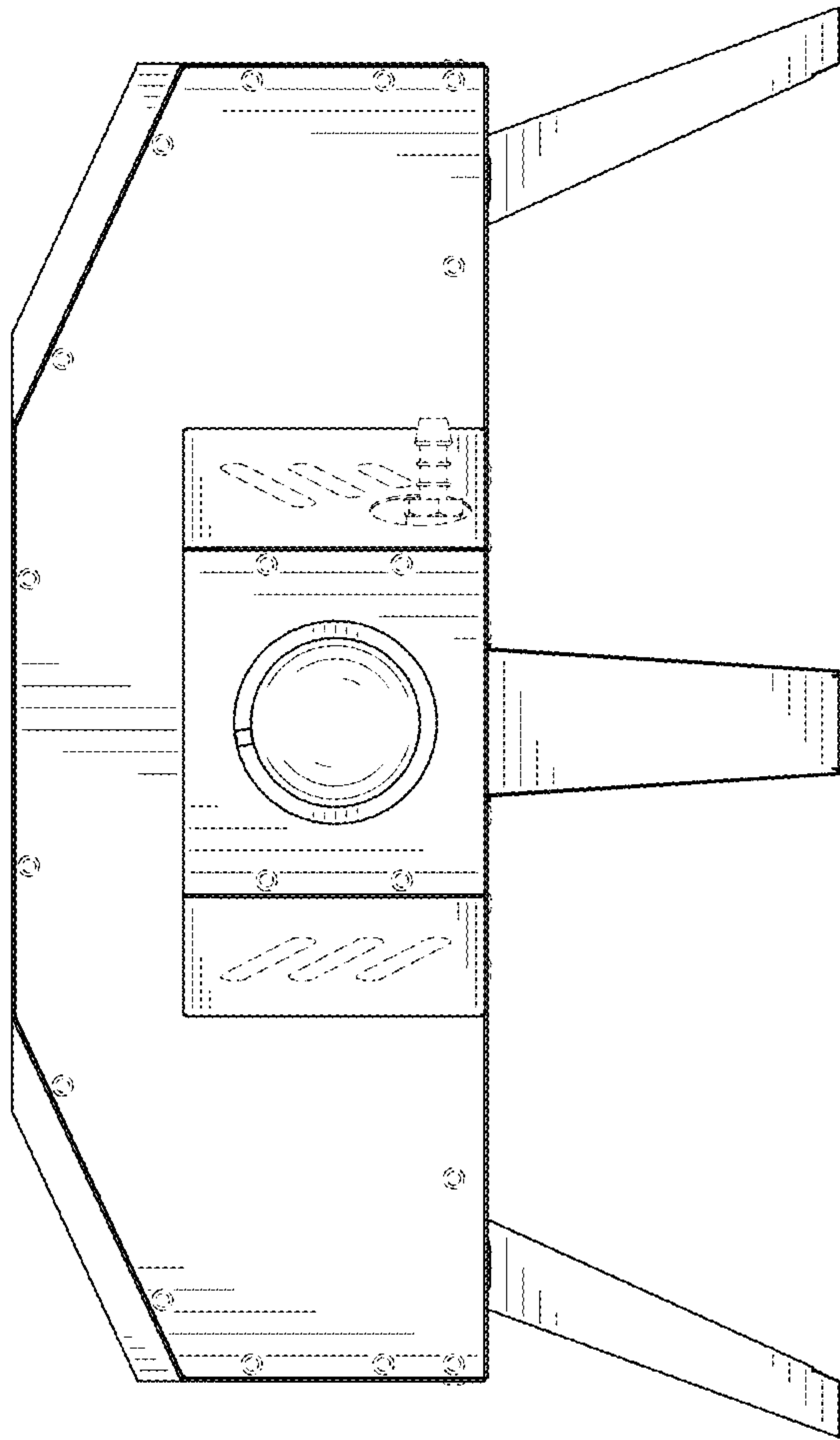


FIG. 6

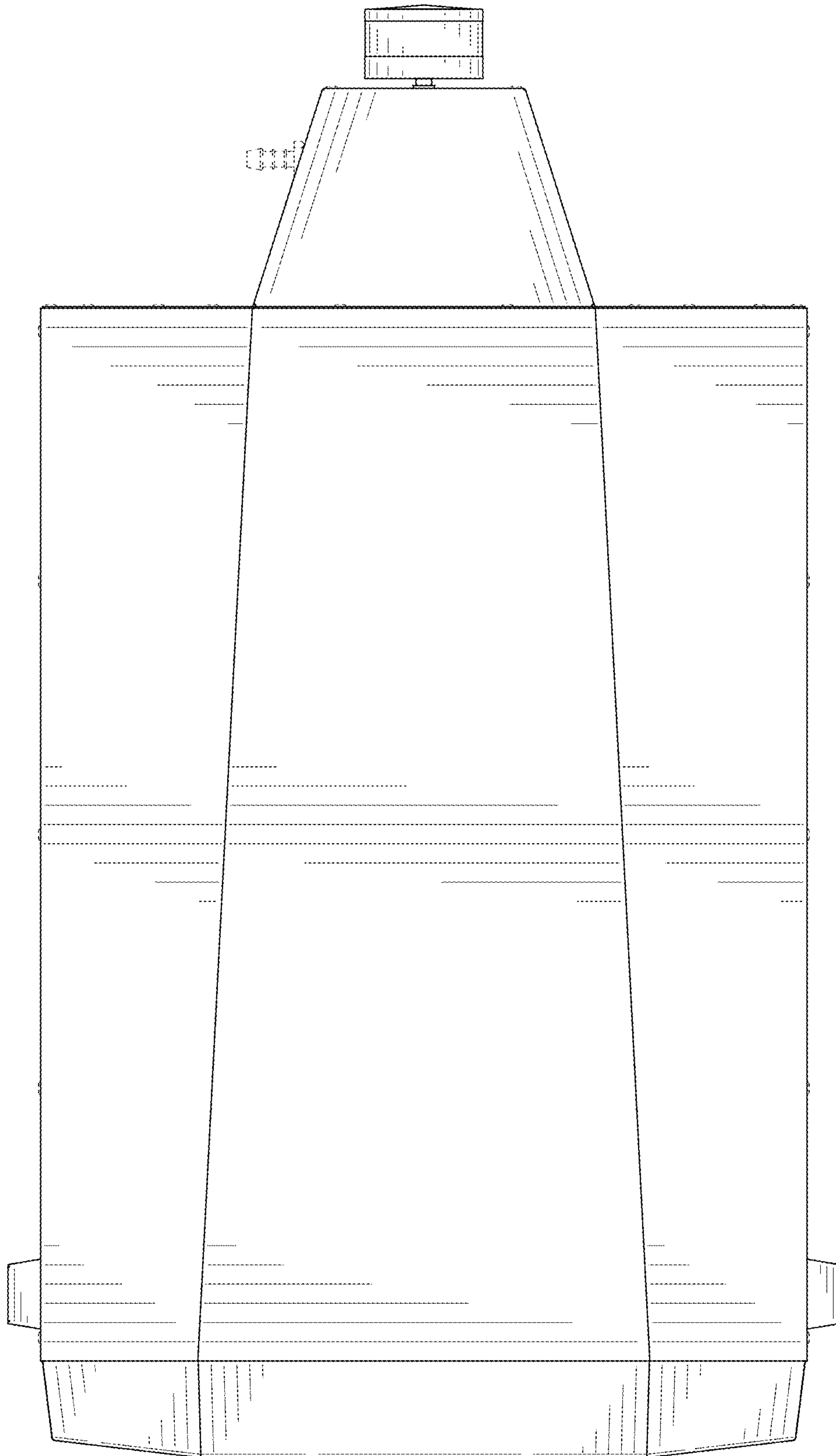


FIG. 7

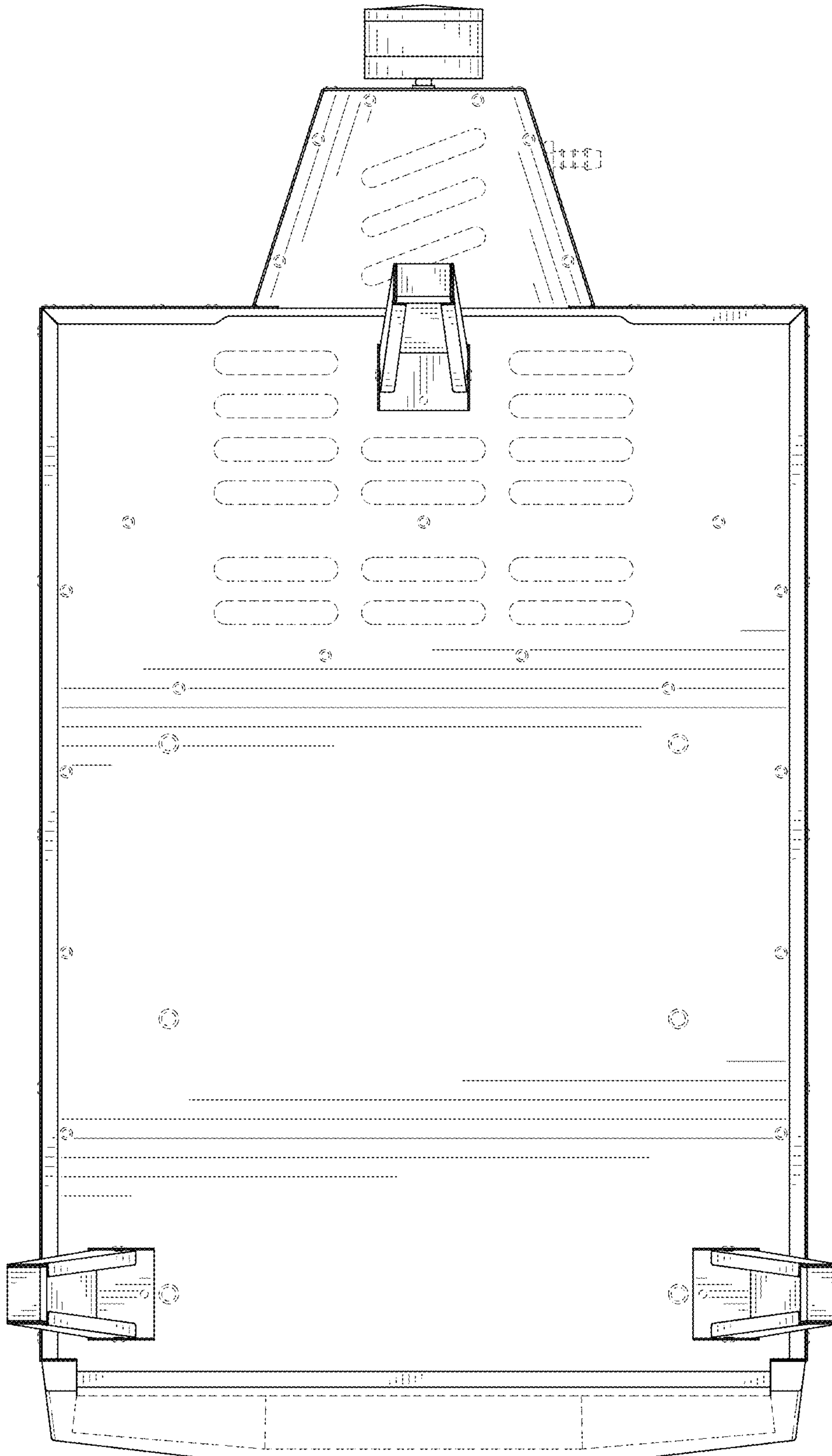


FIG. 8

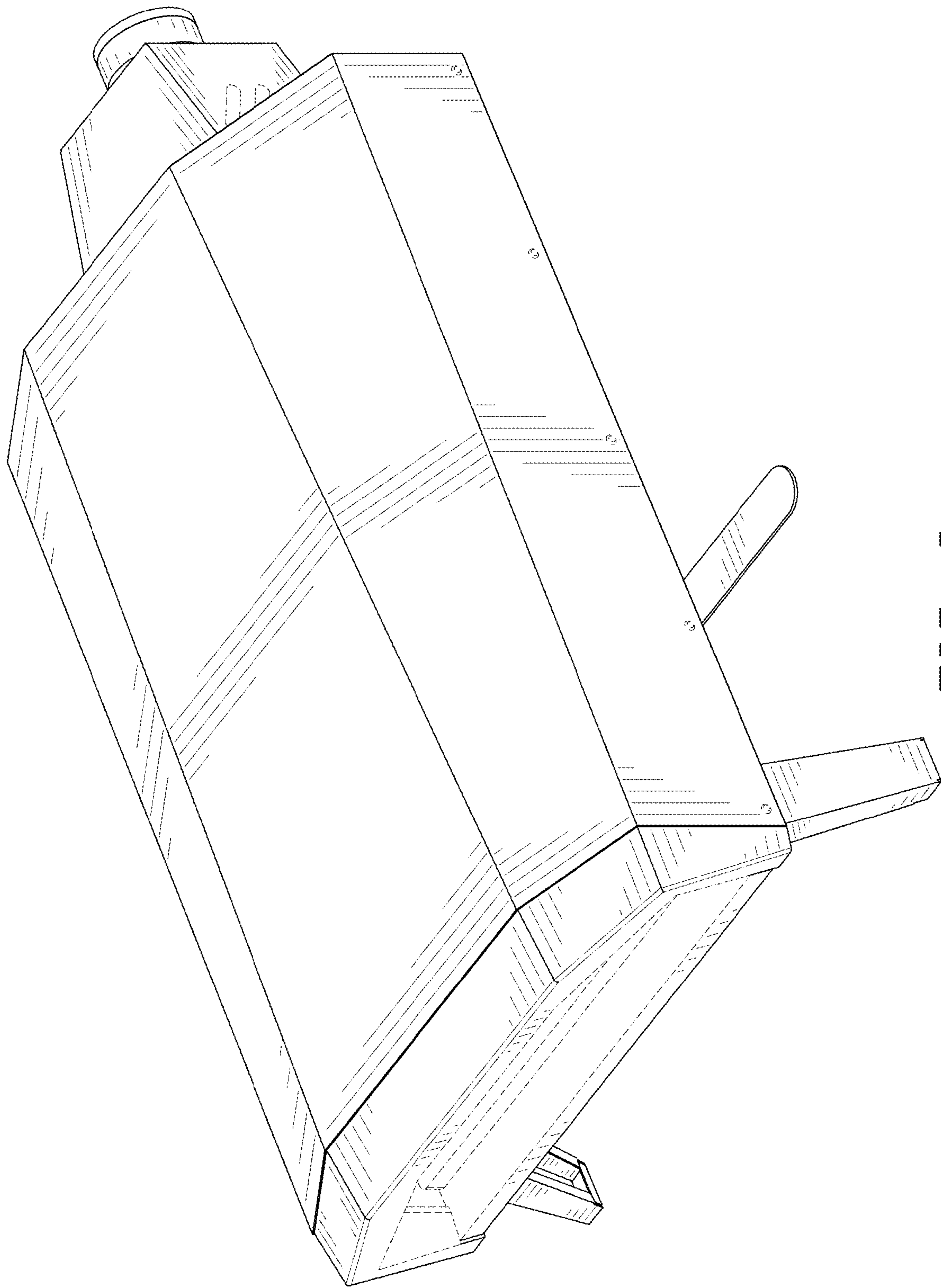


FIG. 9

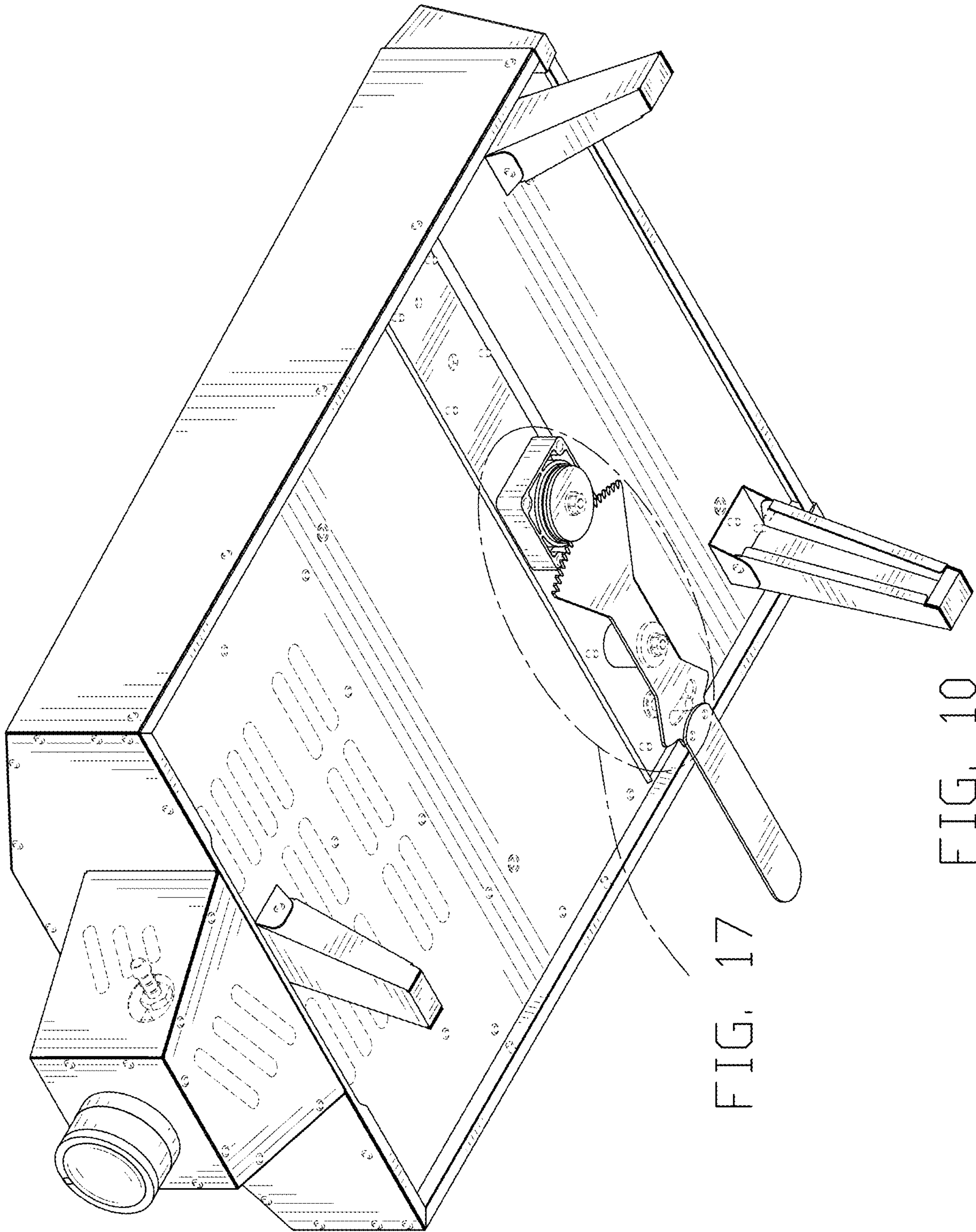


FIG. 10

FIG. 17

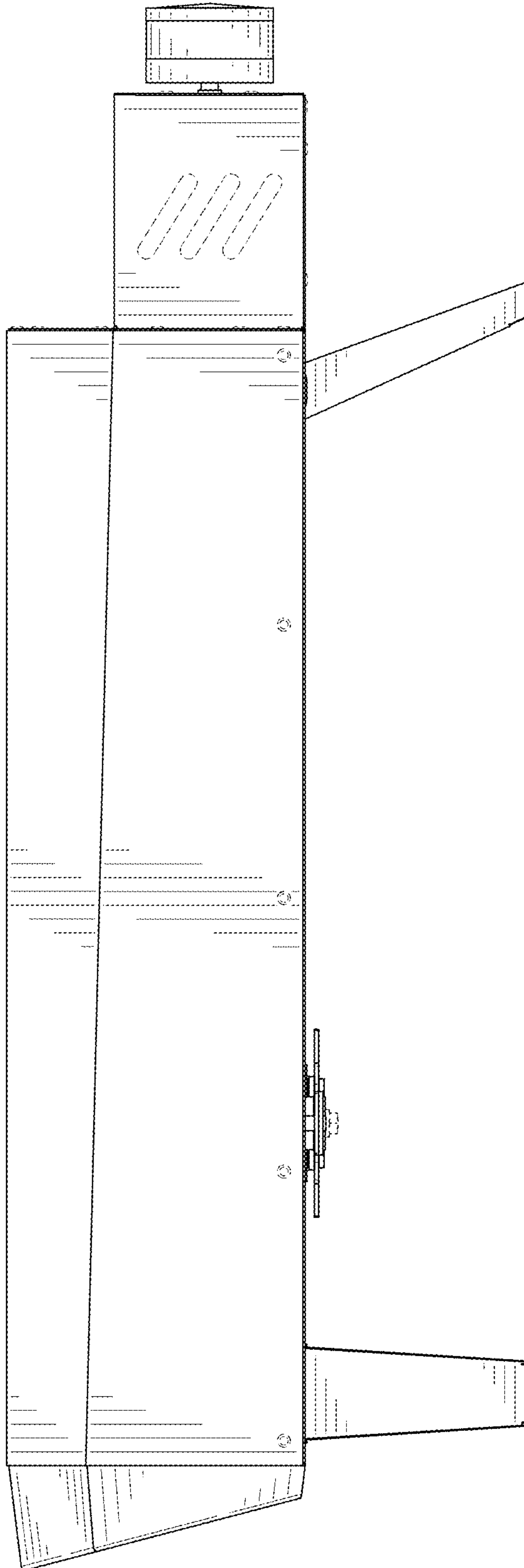


FIG. 11

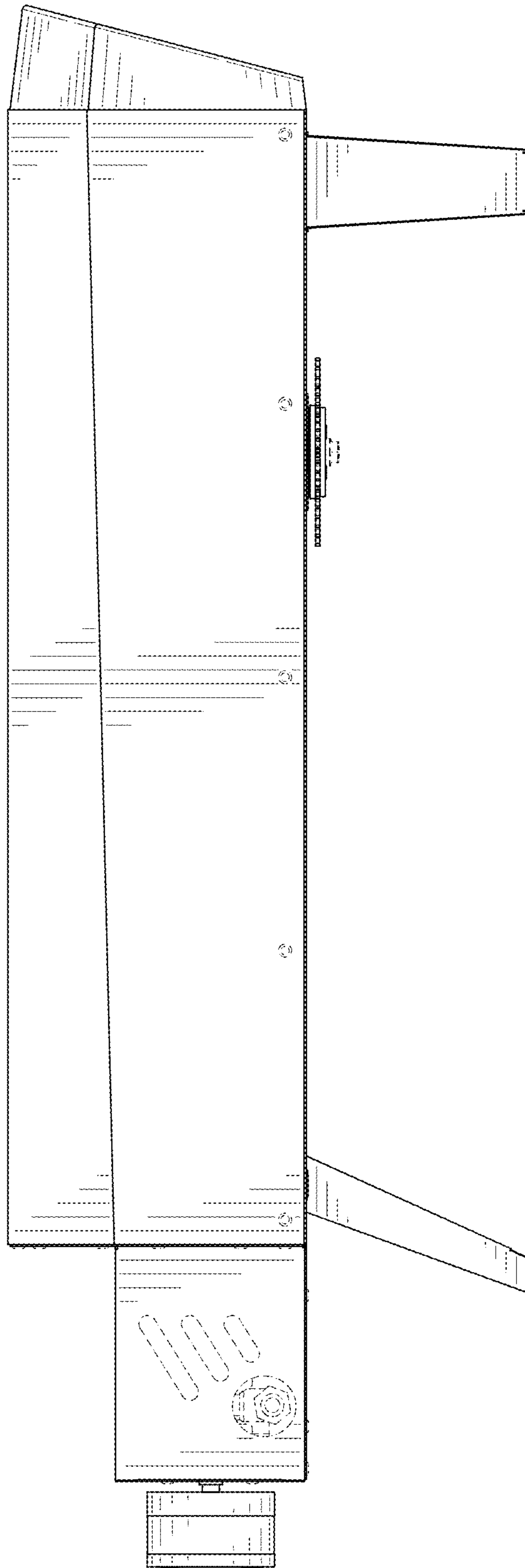


FIG. 12

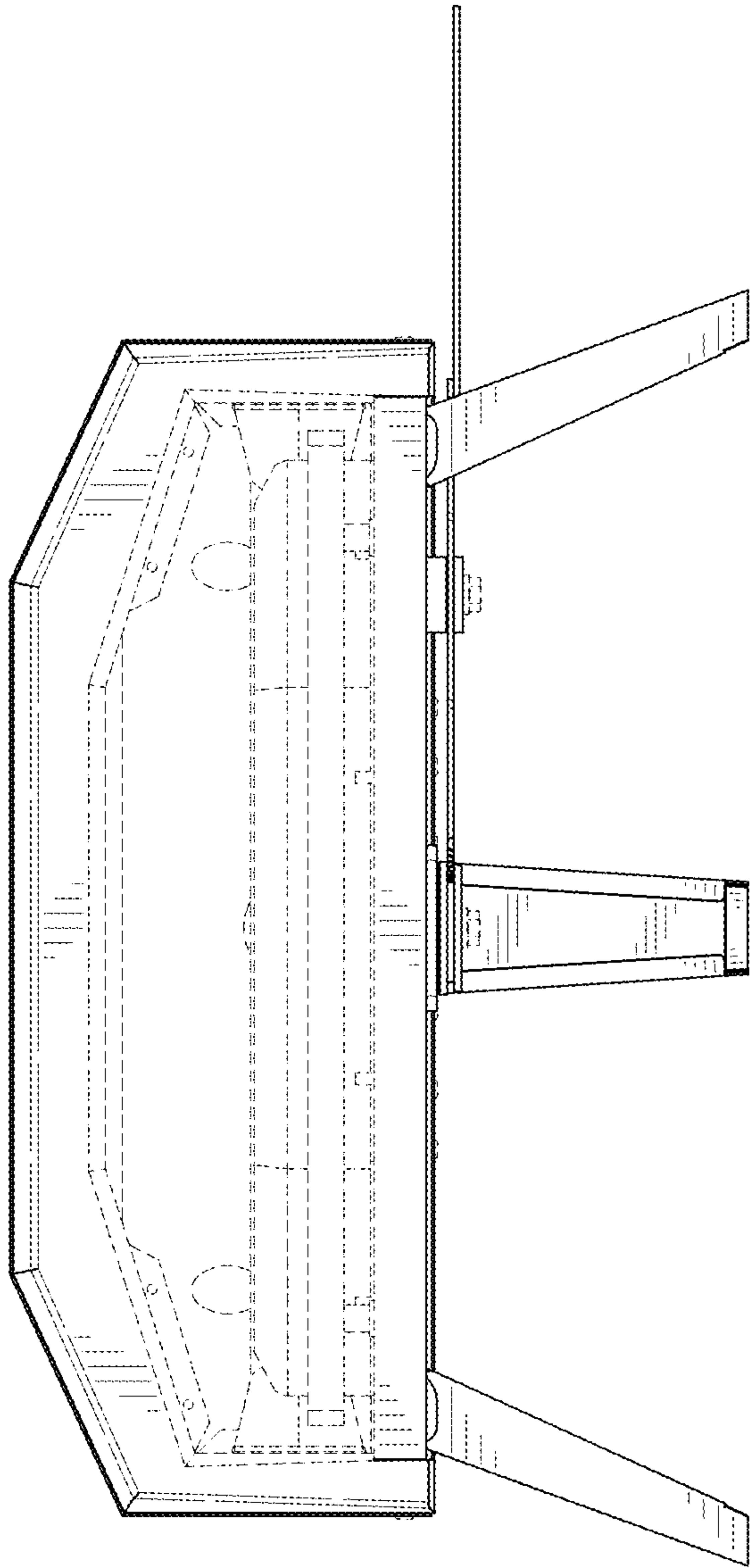


FIG. 13

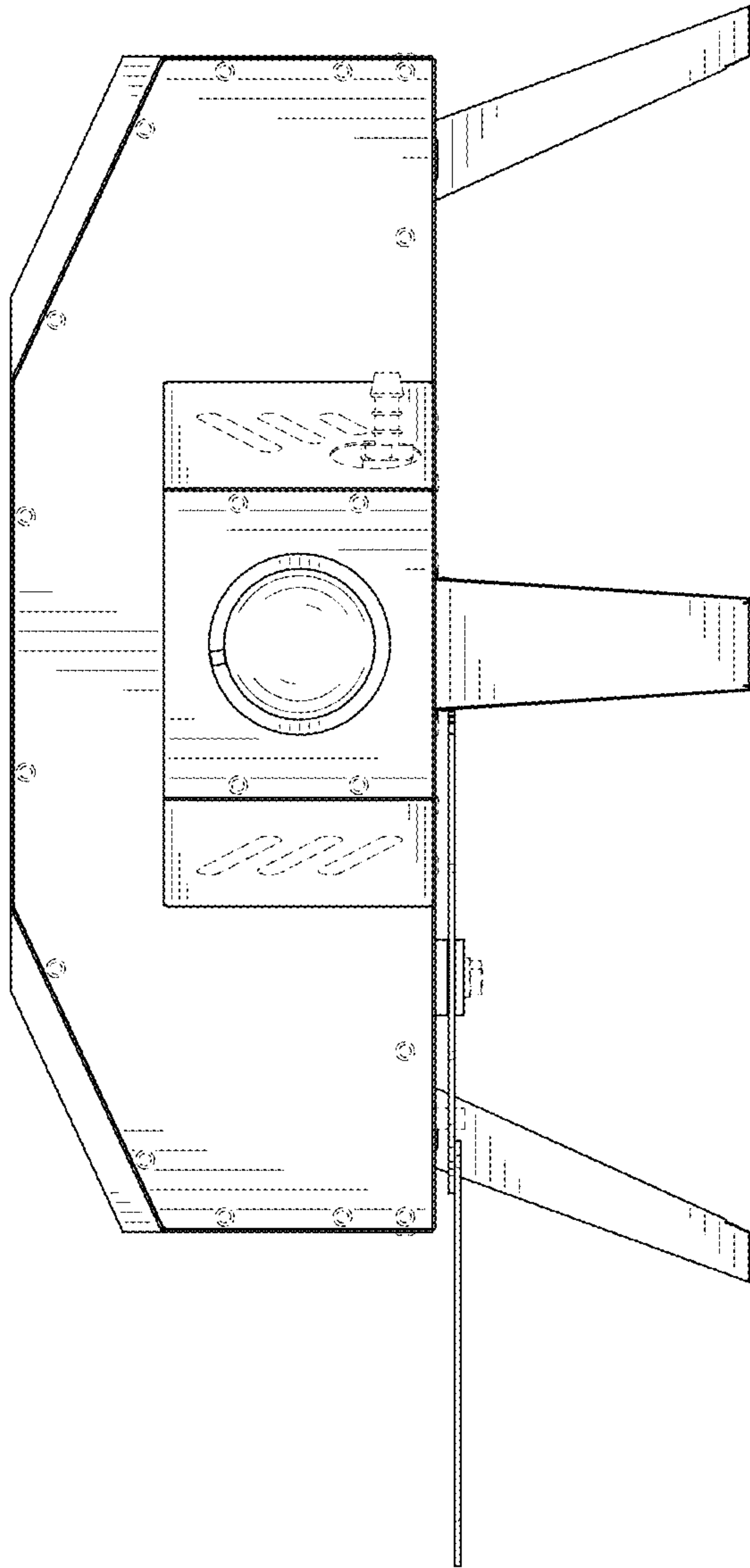


FIG. 14

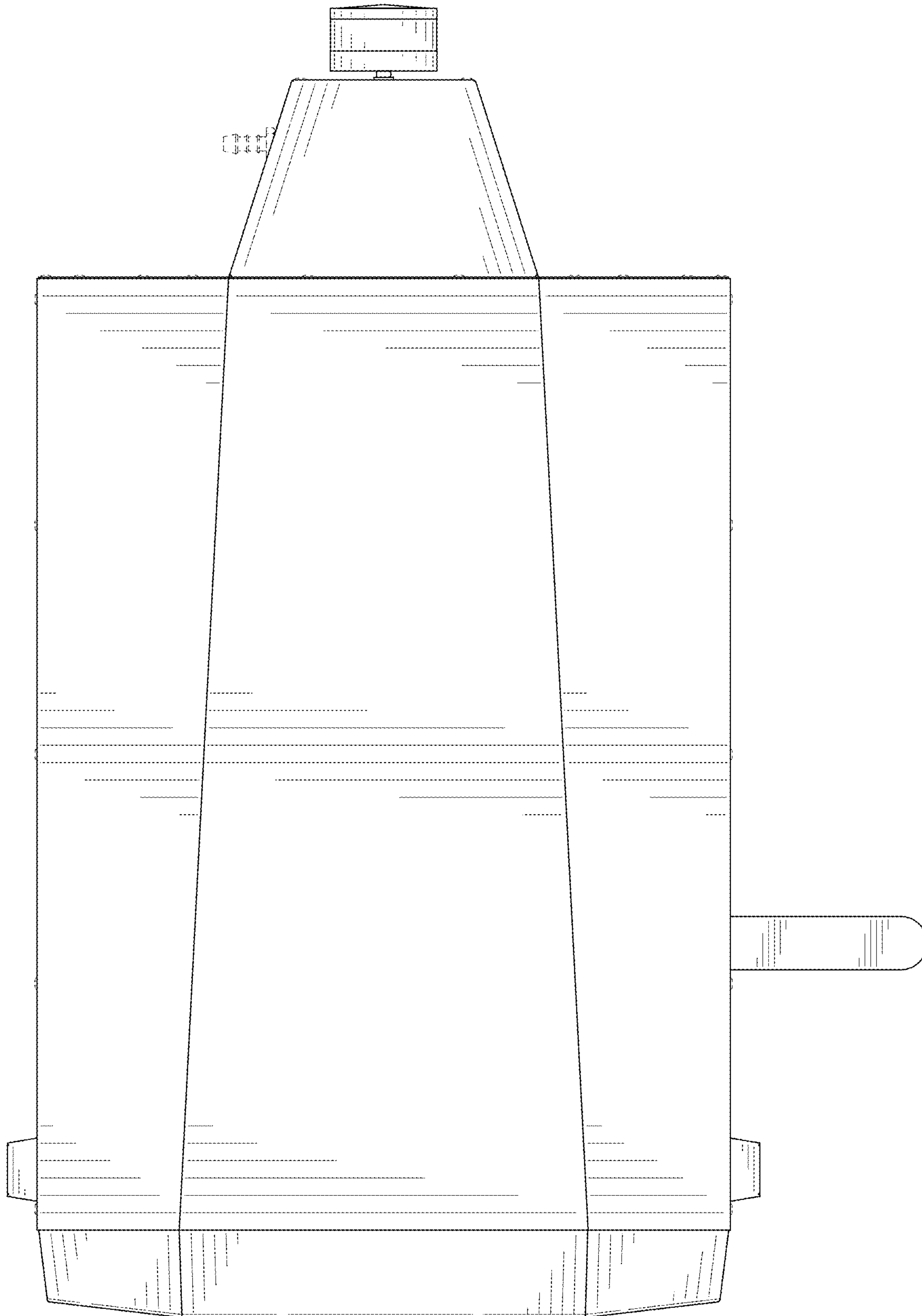


FIG. 15

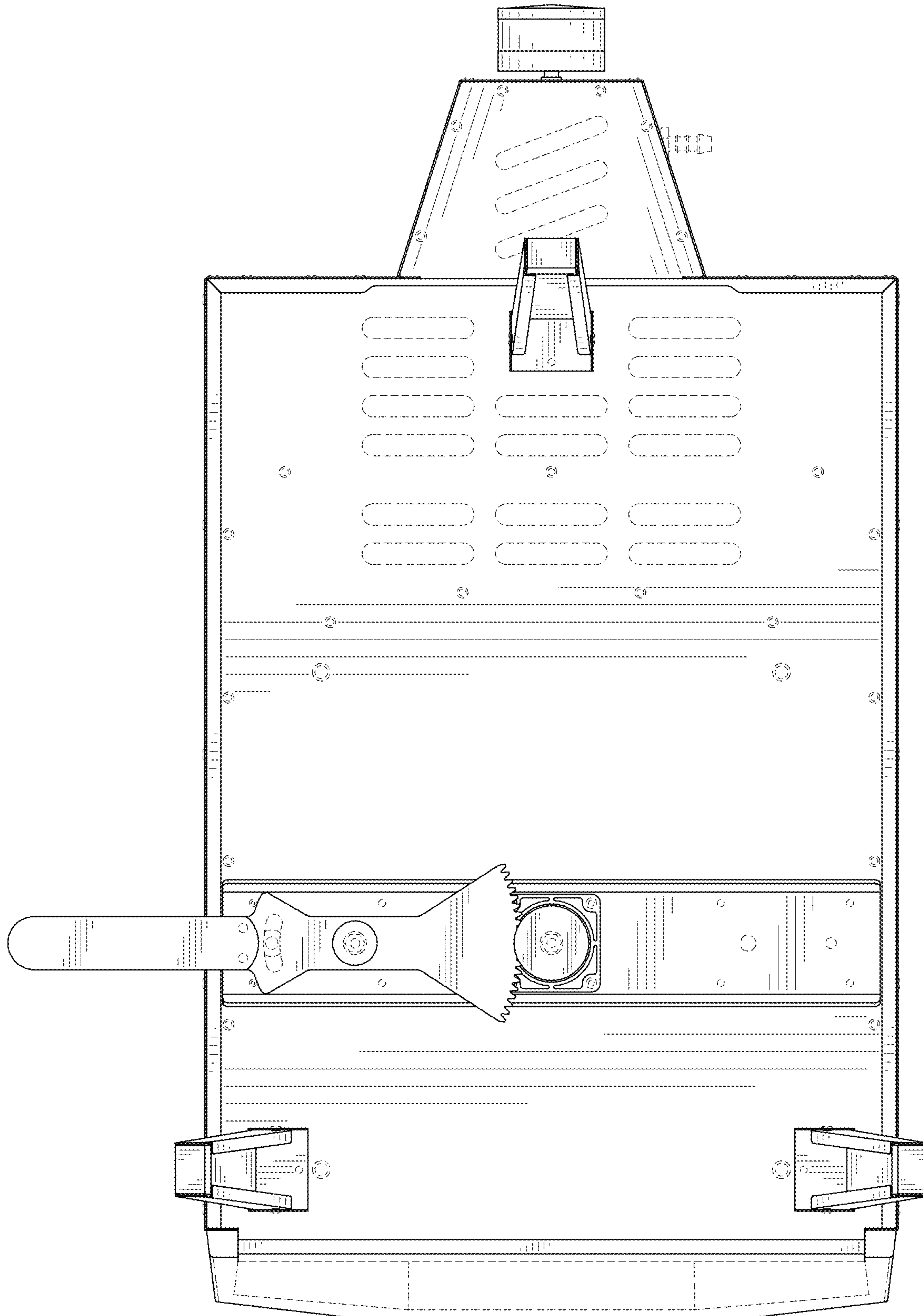


FIG. 16

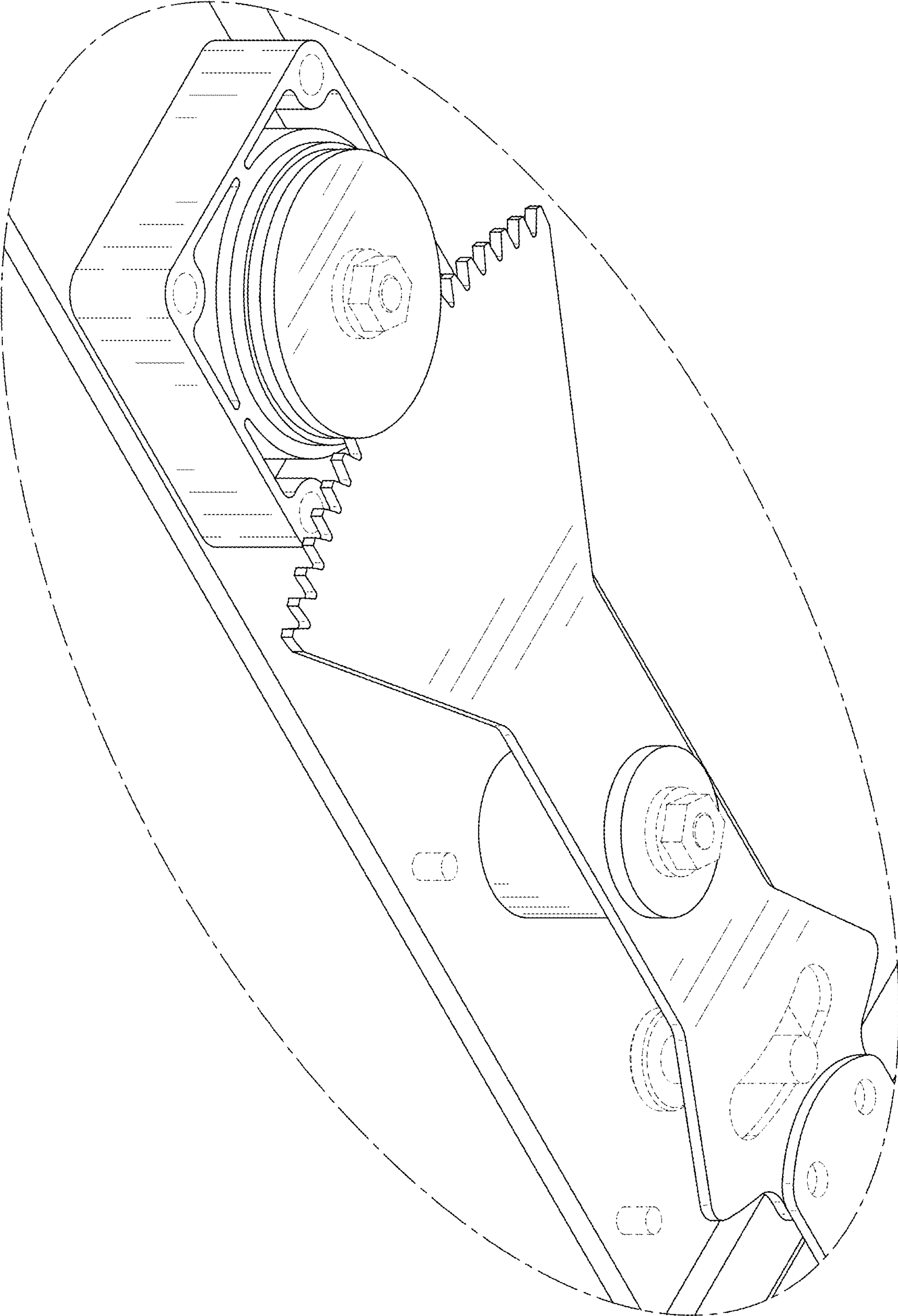


FIG. 17