



US00D970954S

(12) **United States Design Patent** (10) **Patent No.:** **US D970,954 S**
Kim et al. (45) **Date of Patent:** **** Nov. 29, 2022**

(54) **TOASTER**

(71) Applicant: **Samsung Electronics Co., Ltd.**,
Suwon-si (KR)

(72) Inventors: **Yeon-Su Kim**, Suwon-si (KR);
June-Hyuck Choi, Suwon-si (KR);
Yeon-Young Nam, Suwon-si (KR);
Gi-Sung Han, Suwon-si (KR);
Bo-Kyeong Lee, Suwon-si (KR)

(73) Assignee: **Samsung Electronics Co., Ltd.**,
Suwon-si (KR)

(**) Term: **15 Years**

(21) Appl. No.: **29/784,332**

(22) Filed: **May 19, 2021**

(30) **Foreign Application Priority Data**

Mar. 26, 2021 (KR) 30-2021-0014563

(51) **LOC (13) Cl.** **07-02**

(52) **U.S. Cl.**
USPC **D7/330**

(58) **Field of Classification Search**
USPC D7/323, 328-330, 390
CPC ... A21B 2/00; A47J 37/00; A47J 37/06; A47J
37/0611; A47J 37/08; A47J 37/0807;
A47J 37/0814; A47J 37/0821; A47J
37/0835; A47J 37/0842; A47J 37/085;
A47J 37/0864; A47J 37/0878; A47J
37/0885; A47J 37/0892; F24C 15/10;
F24C 15/102

See application file for complete search history.

(56) **References Cited**

U.S. PATENT DOCUMENTS

D472,421 S * 4/2003 To D7/330
D525,817 S 8/2006 Brown
D553,421 S * 10/2007 Kim D7/330

D567,570 S * 4/2008 O'Loughlin D7/330
D640,893 S * 7/2011 Lindquist D7/330
D746,093 S 12/2015 Bazzicalupo et al.
D759,417 S * 6/2016 Carpenter D7/330
D761,610 S * 7/2016 Carpenter D7/330
D791,526 S * 7/2017 Rose D7/330
D810,492 S * 2/2018 Carpenter D7/328
D814,223 S * 4/2018 Barquin D7/330
D838,132 S * 1/2019 Kowalewski D7/330

(Continued)

FOREIGN PATENT DOCUMENTS

EM 000305867-0001 3/2005
EM 001705328-0003 5/2010

(Continued)

OTHER PUBLICATIONS

Zwilling Enfinigy Cool Touch 2 Long Slot Toaster. Date First Available on Amazon.com Dec. 11, 2020. <https://www.amazon.com/dp/B08NCG29SH/ref> (Year: 2020).*

Primary Examiner — Ricky Pham

(74) *Attorney, Agent, or Firm* — NSIP Law

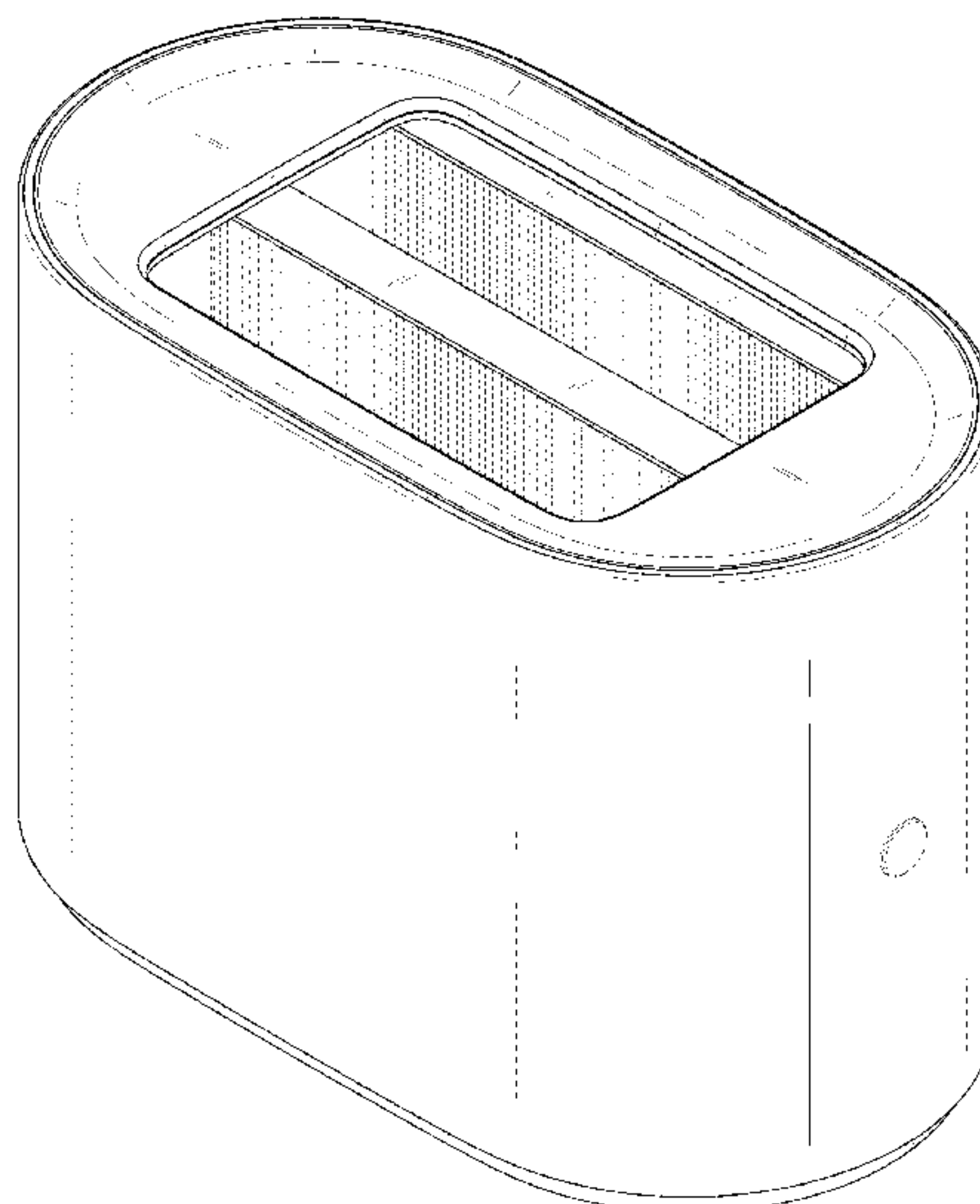
(57) **CLAIM**

We claim the ornamental design for a toaster, as shown and described.

DESCRIPTION

FIG. 1 is a front perspective view of a toaster showing our new design;
FIG. 2 is a front view thereof;
FIG. 3 is a rear view thereof;
FIG. 4 is a left-side view thereof;
FIG. 5 is a right-side view thereof;
FIG. 6 is a top view thereof; and,
FIG. 7 is a bottom view thereof.
The evenly dashed broken lines in the figures depict portions of the toaster which form no part of the claimed design.

1 Claim, 7 Drawing Sheets



(56)

References Cited

U.S. PATENT DOCUMENTS

D843,769 S * 3/2019 Chen D7/330
D886,505 S * 6/2020 Thun D7/330
D930,420 S * 9/2021 Baur D7/330

FOREIGN PATENT DOCUMENTS

EM 002328476-0003 10/2013
WO DM/100 506 3/2018

* cited by examiner

FIG. 1

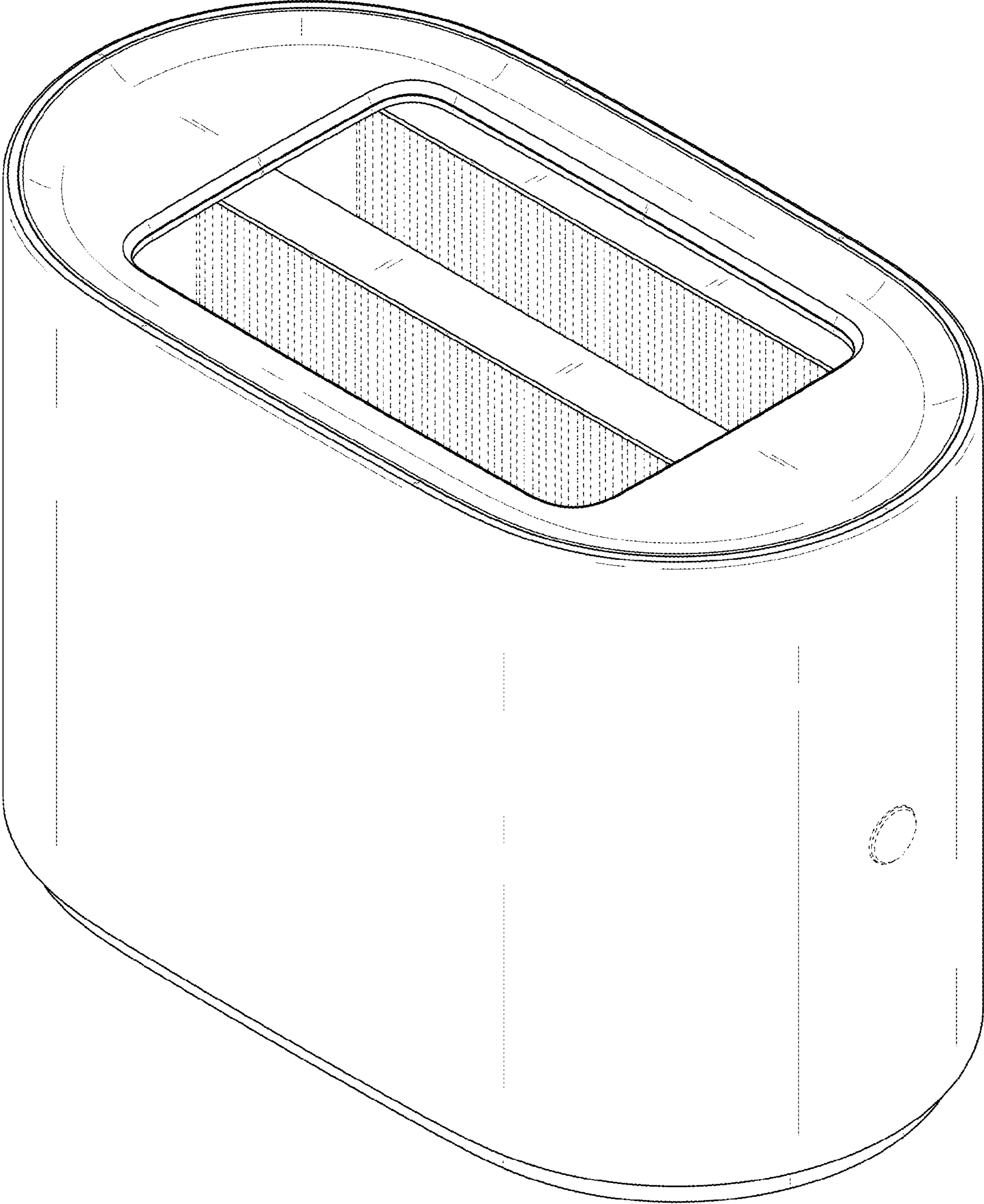


FIG. 2

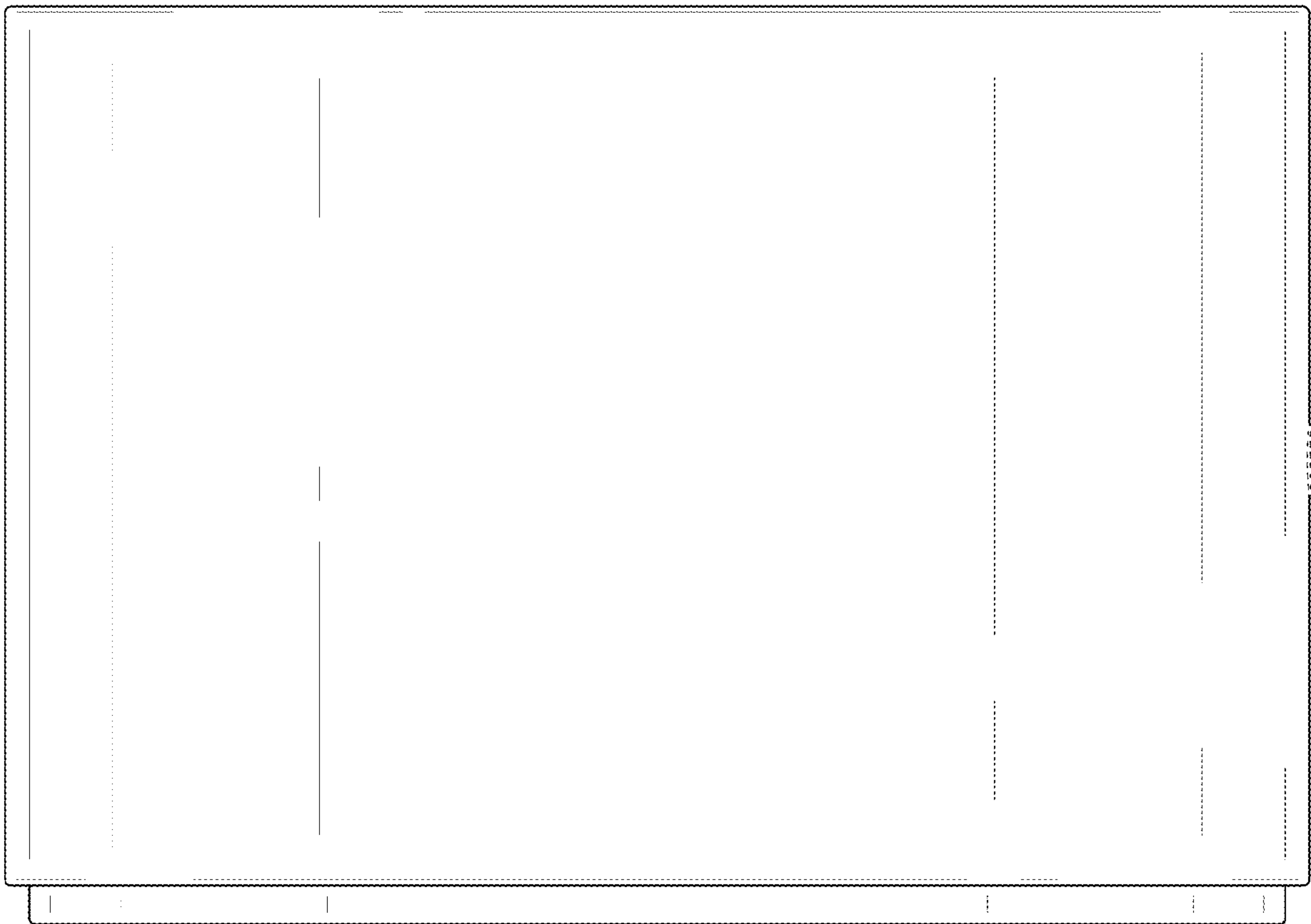


FIG. 3

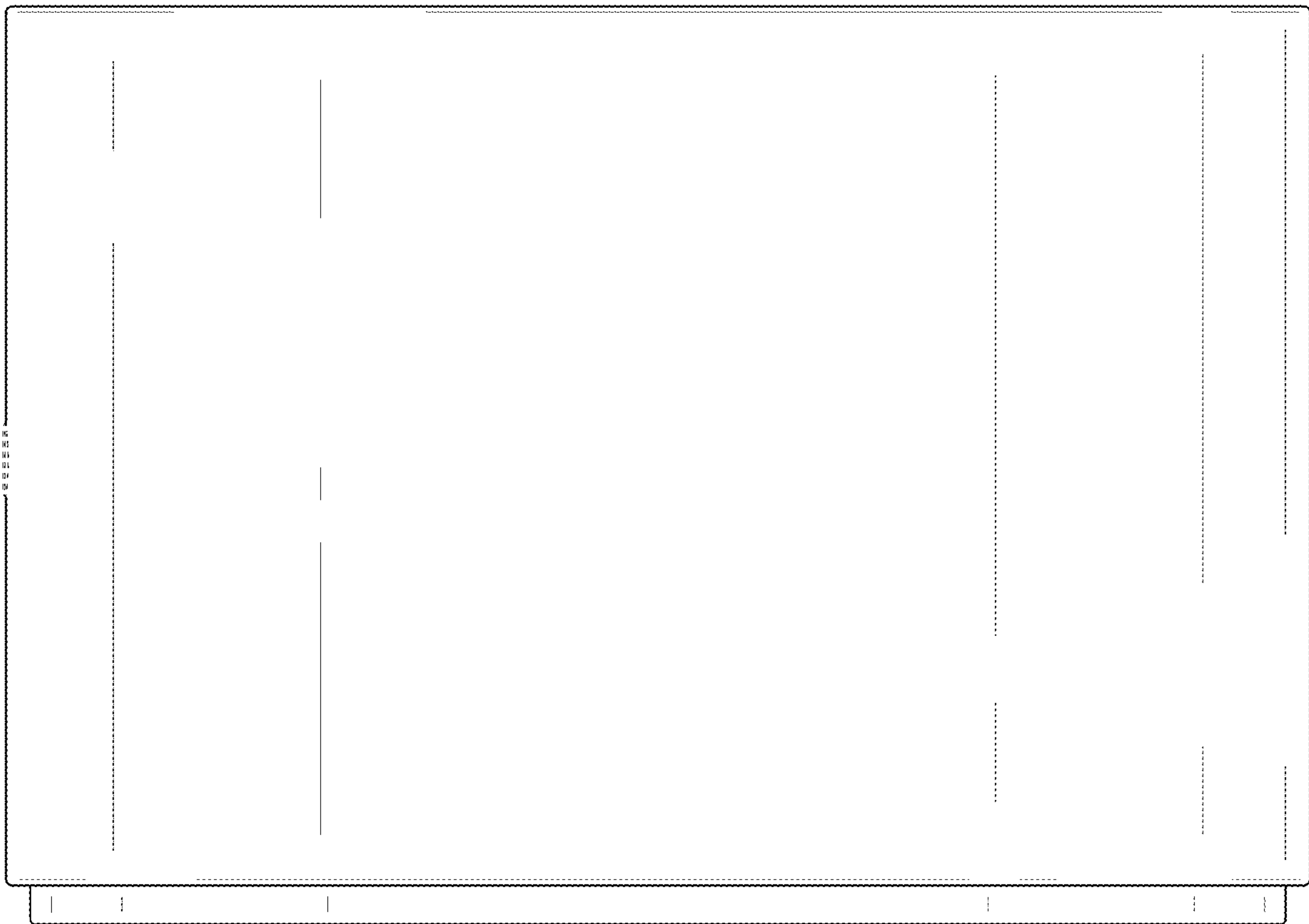


FIG. 4

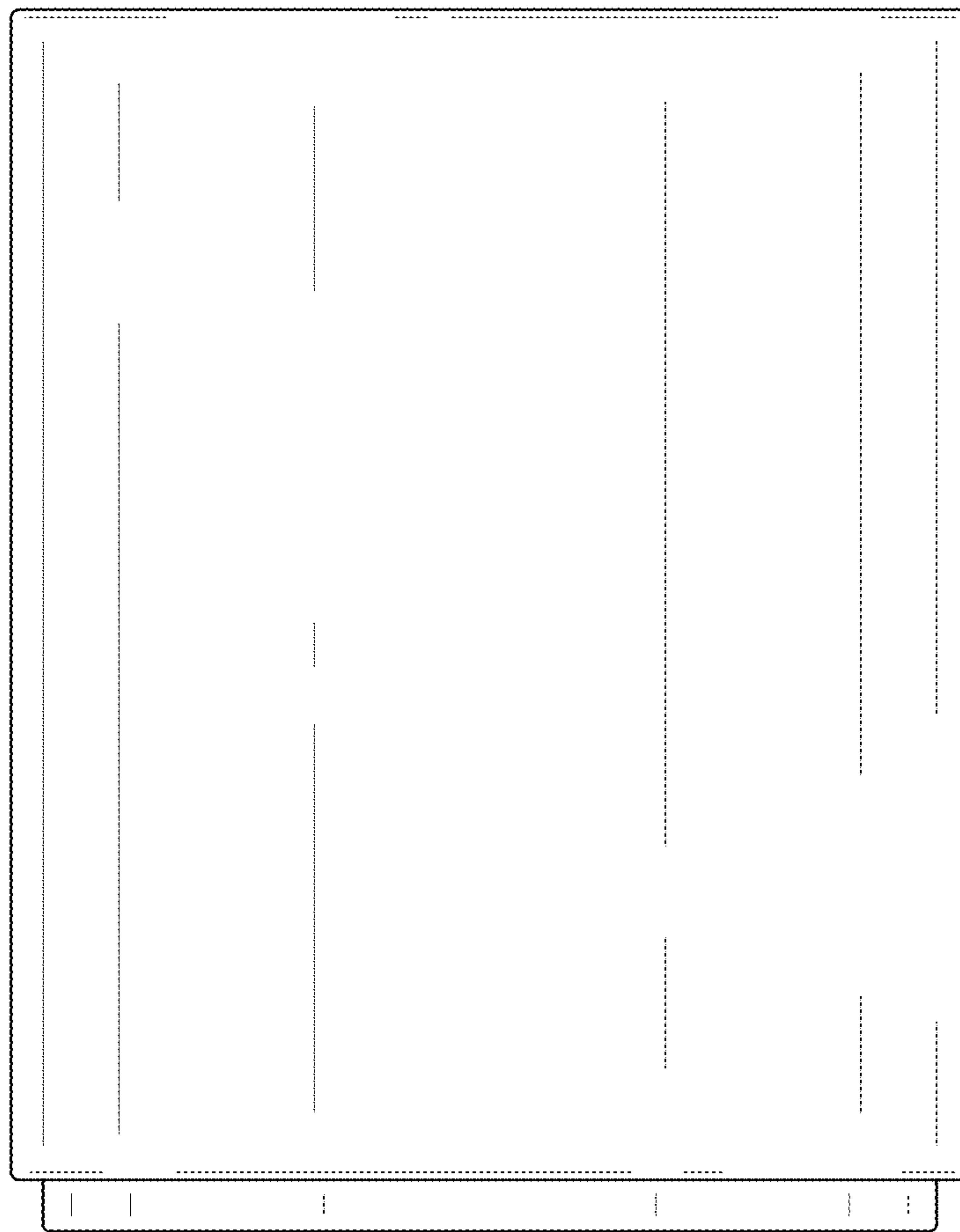


FIG. 5

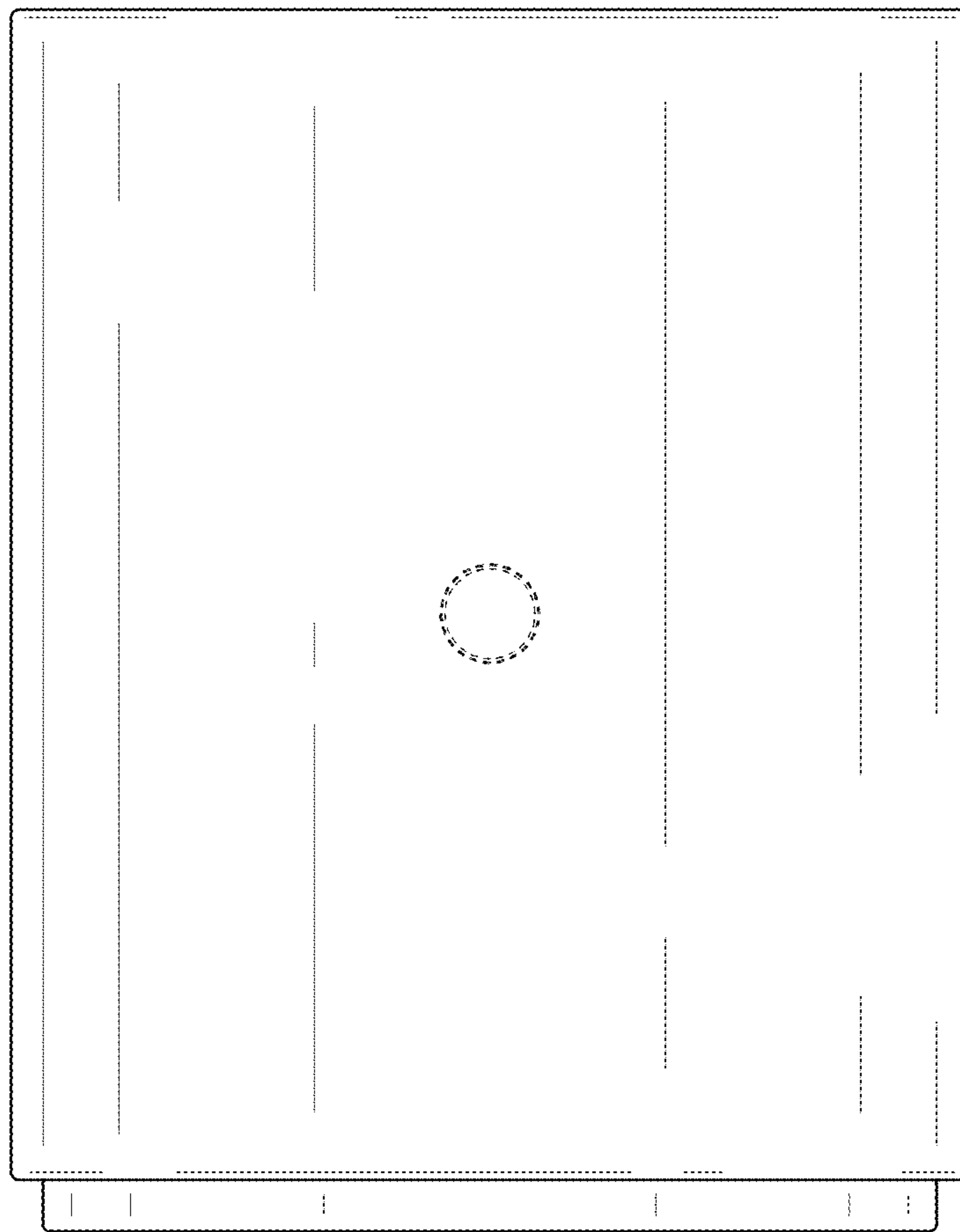


FIG. 6

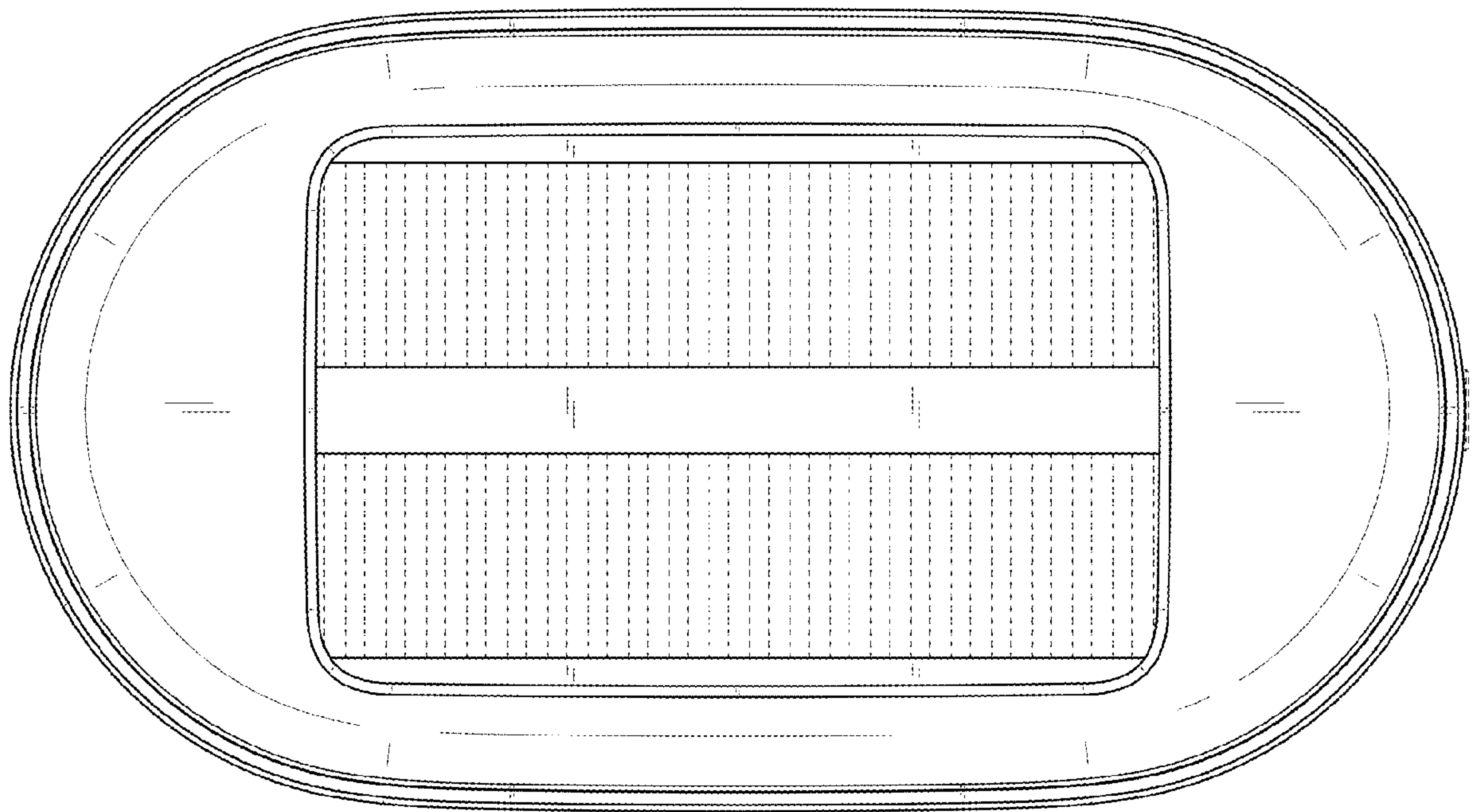


FIG. 7

