



US00D970953S

(12) **United States Design Patent** (10) **Patent No.:** **US D970,953 S**
Rios (45) **Date of Patent:** **** Nov. 29, 2022**

(54) **TOASTER**
(71) Applicant: **CONAIR LLC**, Stamford, CT (US)
(72) Inventor: **Erick Rios**, New Haven, CT (US)
(73) Assignee: **Conair LLC**, Stamford, CT (US)
(**) Term: **15 Years**
(21) Appl. No.: **29/781,952**
(22) Filed: **May 3, 2021**
(51) **LOC (13) Cl.** **07-02**
(52) **U.S. Cl.**
USPC **D7/330**
(58) **Field of Classification Search**
USPC D7/323, 328-330, 390
CPC ... A21B 2/00; A47J 37/00; A47J 37/06; A47J
37/0611; A47J 37/08; A47J 37/0807;
A47J 37/0814; A47J 37/0821; A47J
37/0835; A47J 37/0842; A47J 37/085;
A47J 37/0864; A47J 37/0878; A47J
37/0885; A47J 37/0892; F24C 15/10;
F24C 15/102
See application file for complete search history.

(56) **References Cited**
U.S. PATENT DOCUMENTS
D193,599 S * 9/1962 De Fano D7/330
3,866,525 A * 2/1975 Oxel A47J 37/0878
99/357
D359,876 S 7/1995 Osit
D423,865 S 5/2000 Gaynor et al.
D440,460 S 4/2001 Davis et al.
D445,629 S 7/2001 Davis et al.
D598,697 S 8/2009 Depra
D628,429 S * 12/2010 Ye D7/330
D644,473 S * 9/2011 Pantaleo D7/330
8,239,784 B2 8/2012 Hotelling et al.
D702,074 S 4/2014 De'Longhi et al.
D724,885 S 3/2015 Kunz

D746,624 S 1/2016 Sun
D749,348 S * 2/2016 Carlson D7/330
D765,456 S 9/2016 Lee et al.
D777,501 S 1/2017 Lee et al.
D796,890 S 9/2017 De'Longhi et al.
D807,677 S * 1/2018 Ho D7/330
D838,132 S 1/2019 Kowalewski et al.
D859,856 S 9/2019 Josancy
10,660,466 B2 5/2020 Yazvin et al.
D886,505 S * 6/2020 Thun D7/330
D927,239 S * 8/2021 Brega D7/330
D927,915 S * 8/2021 Brega D7/330
D929,168 S * 8/2021 Lin D7/330
D932,821 S * 10/2021 Wu D7/330
(Continued)

OTHER PUBLICATIONS

BBday Long Slot Toaster. Date First Available on Amazon.com Jan. 9, 2021. <https://www.amazon.com/BBday-Stainless-Toasters-Touchscreen-Removable/dp/B08SJM24RY/ref> (Year: 2021).*

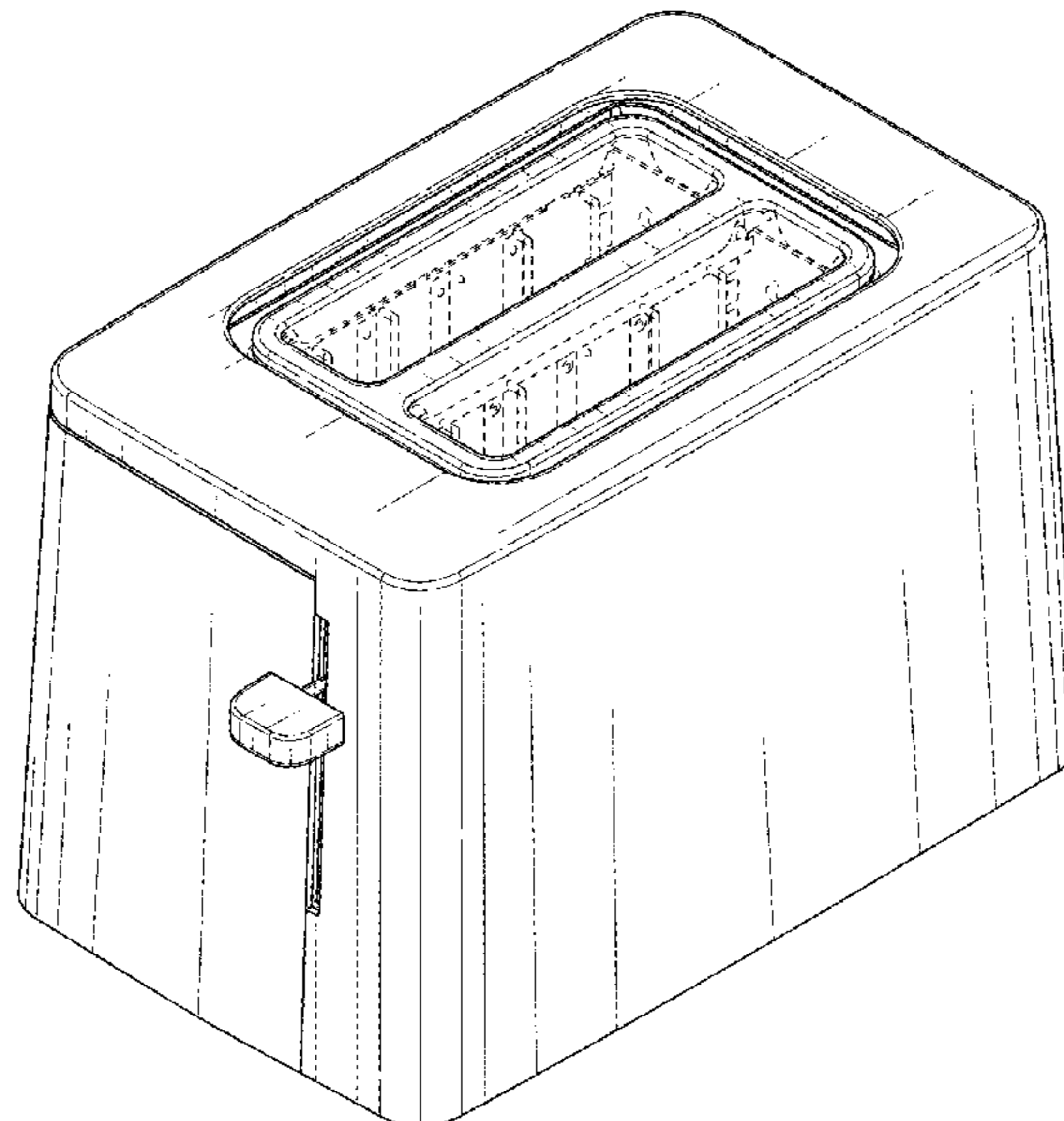
Primary Examiner — Ricky Pham
(74) *Attorney, Agent, or Firm* — Grogan, Tuccillo & Vanderleeden, LLP

(57) **CLAIM**
The ornamental design for a toaster, as shown and described.

DESCRIPTION

FIG. 1 is a perspective view of a toaster showing a new design;
FIG. 2 is a front elevational view thereof;
FIG. 3 is a rear elevational view thereof;
FIG. 4 is a left side elevational view thereof;
FIG. 5 is right side elevational view thereof;
FIG. 6 is a top plan view thereof; and,
FIG. 7 is a bottom plan view thereof.
The broken lines are for illustrative purposes only and form no part of the claimed design.

1 Claim, 7 Drawing Sheets



(56)

References Cited

U.S. PATENT DOCUMENTS

D944,582 S * 3/2022 Qin D7/330
2015/0345068 A1 12/2015 Coffman et al.
2018/0217709 A1 8/2018 Hotelling

* cited by examiner

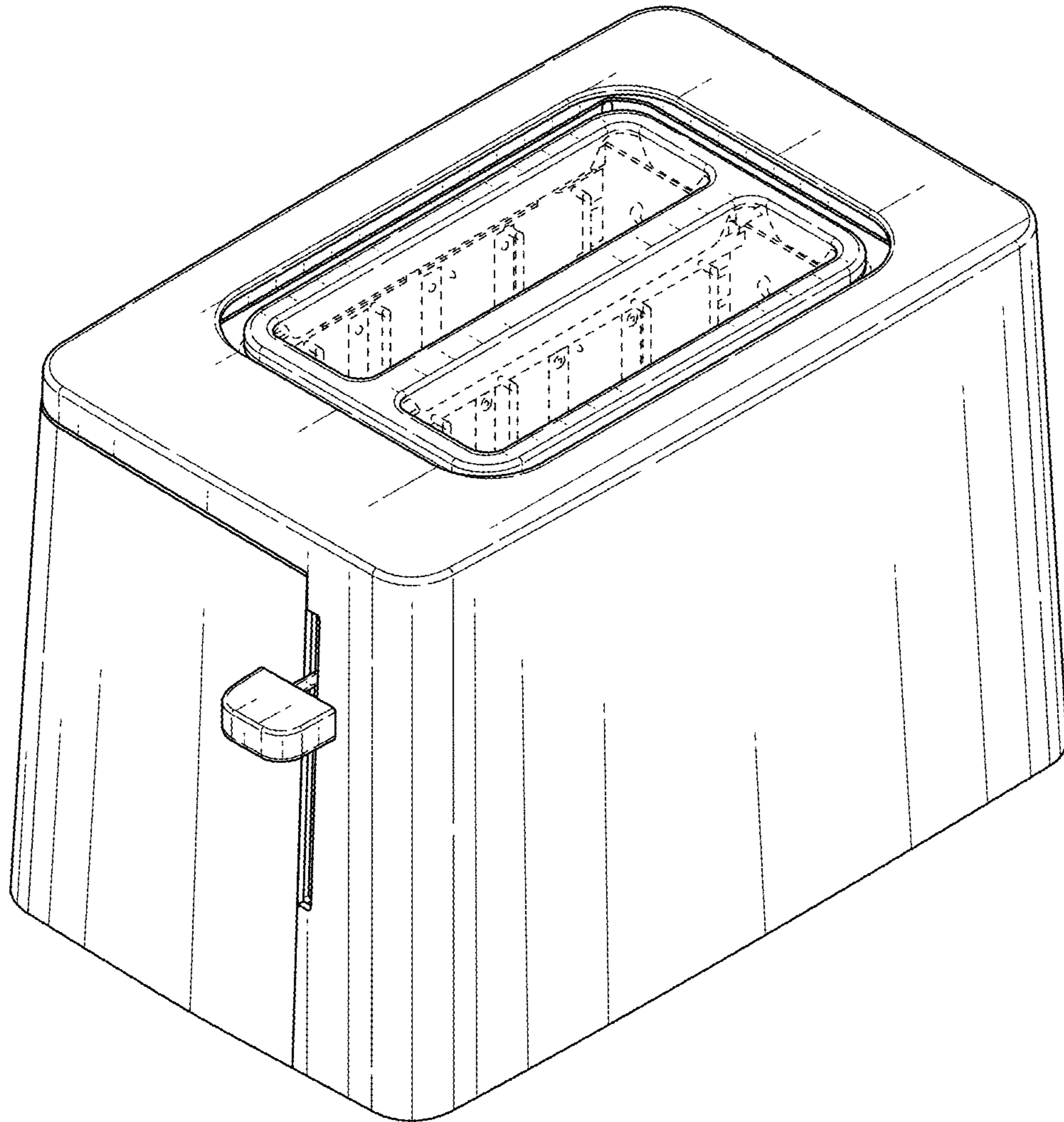


FIG. 1

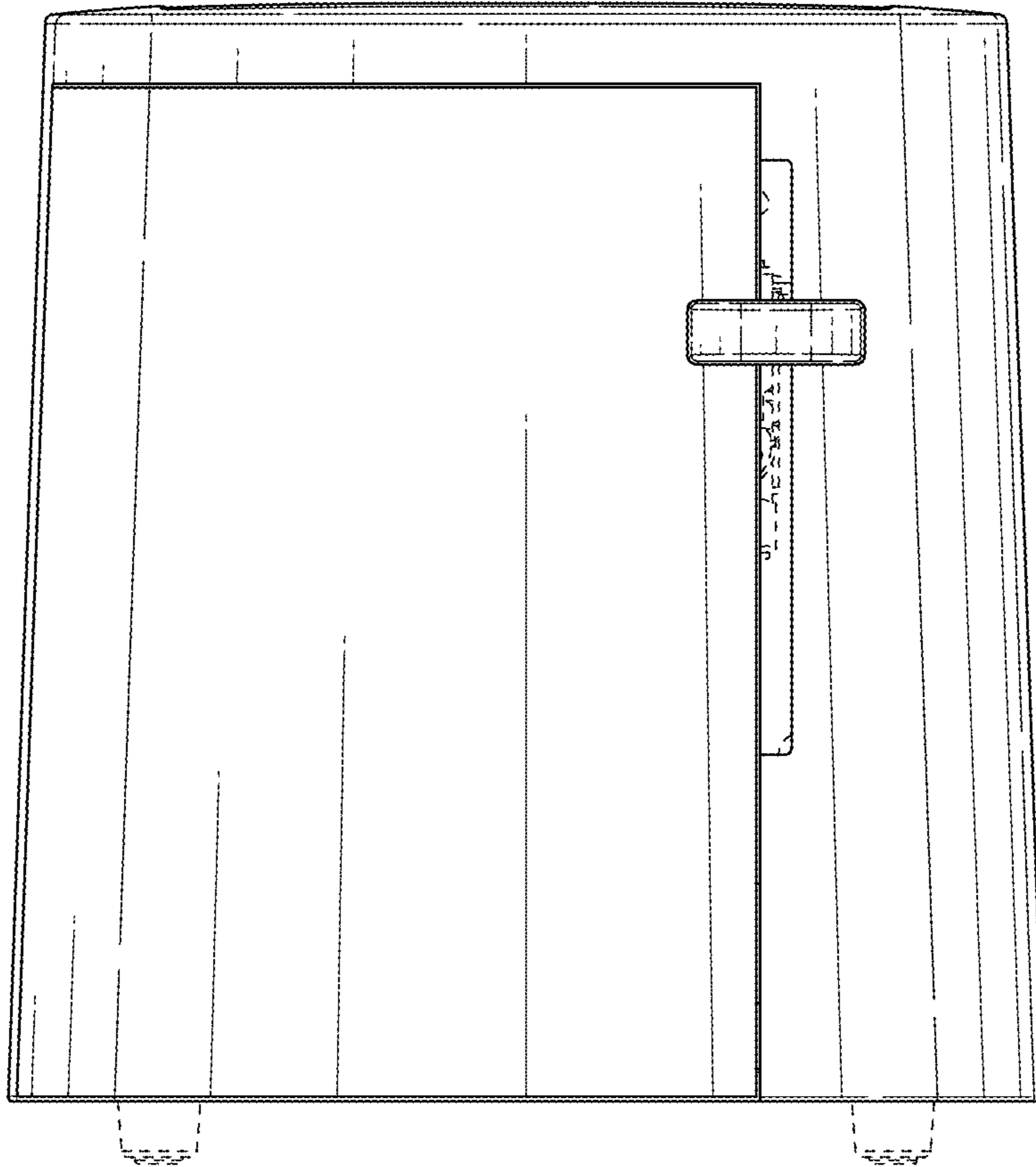


FIG. 2

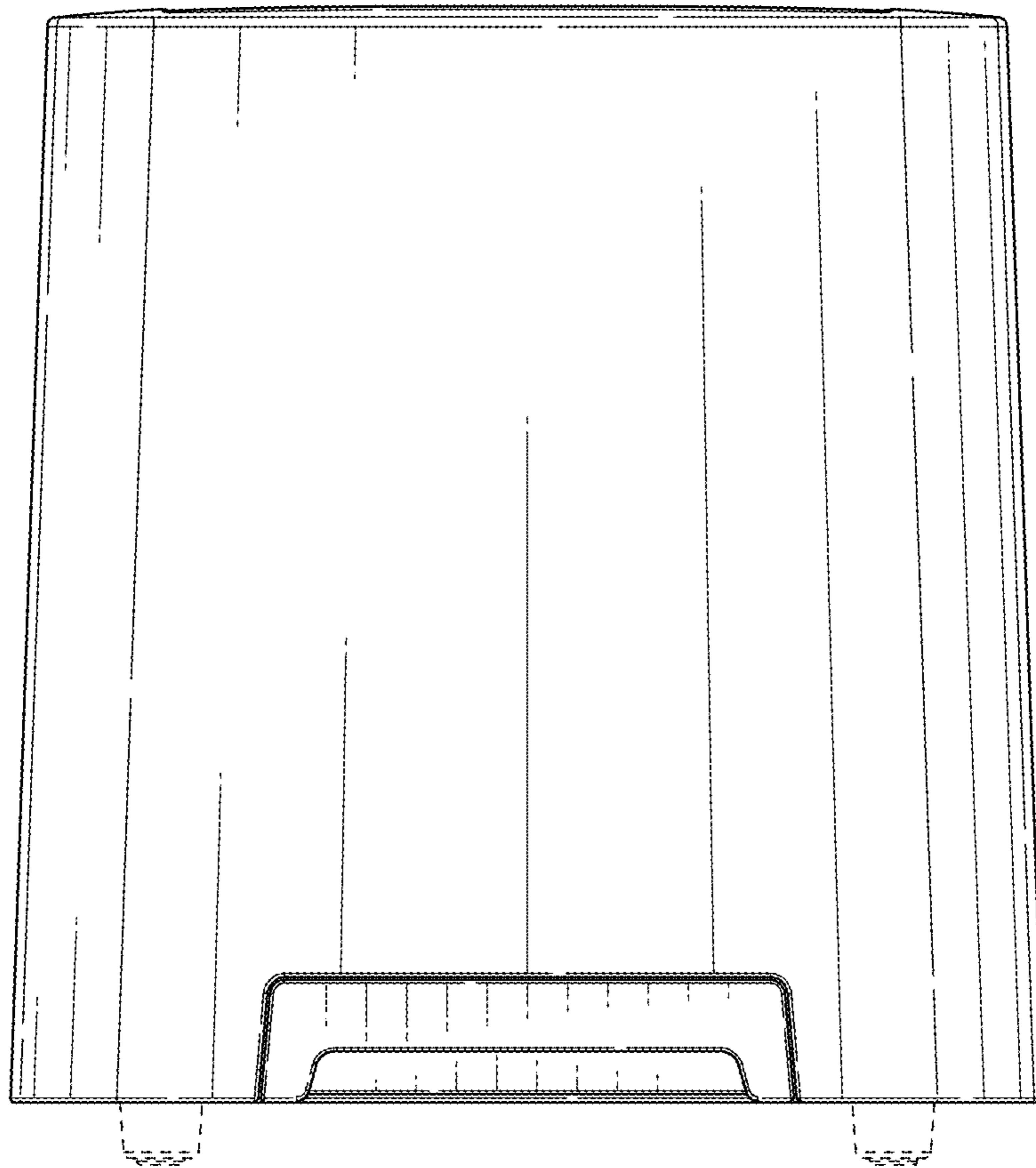


FIG. 3

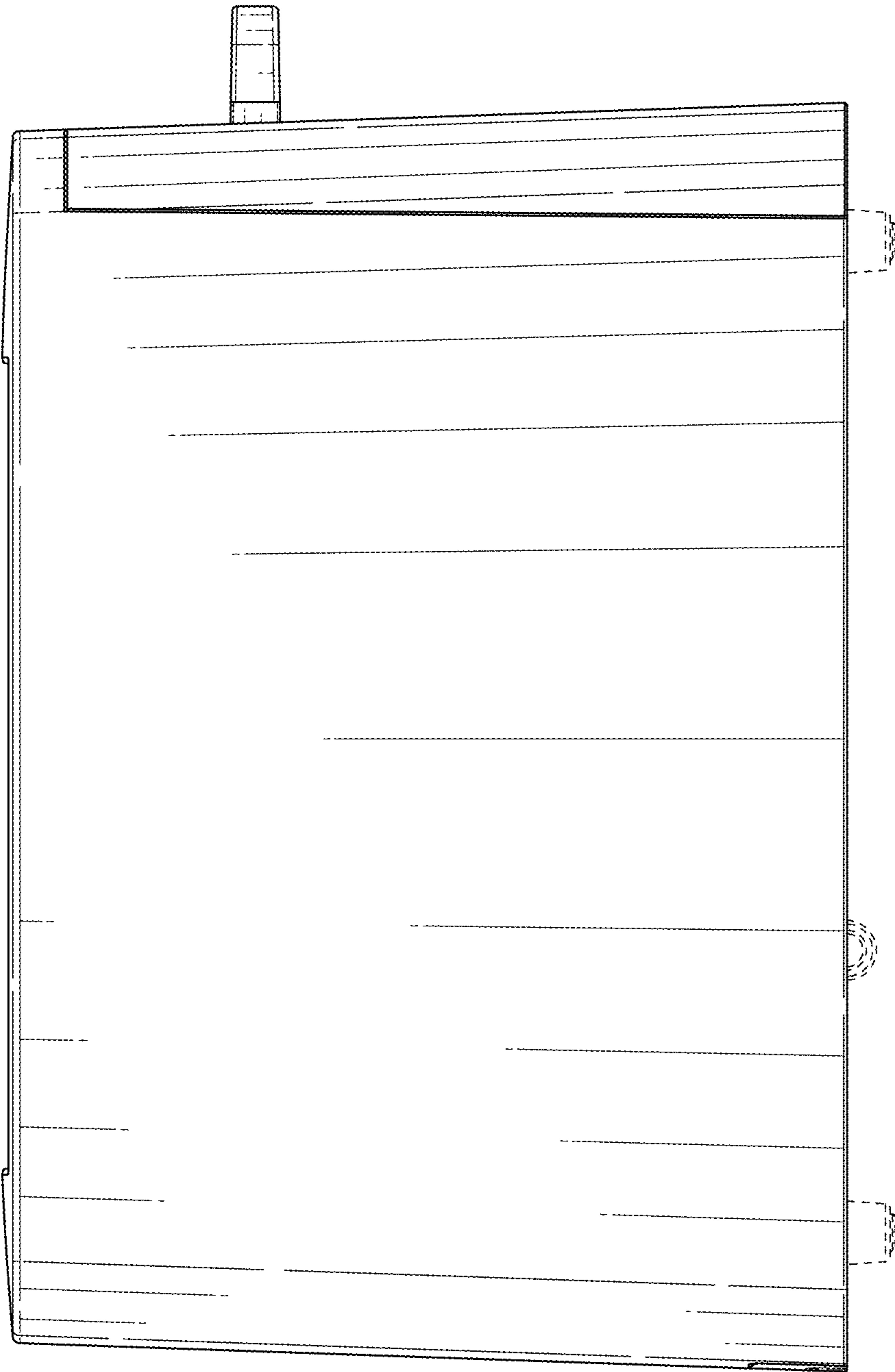


FIG. 4

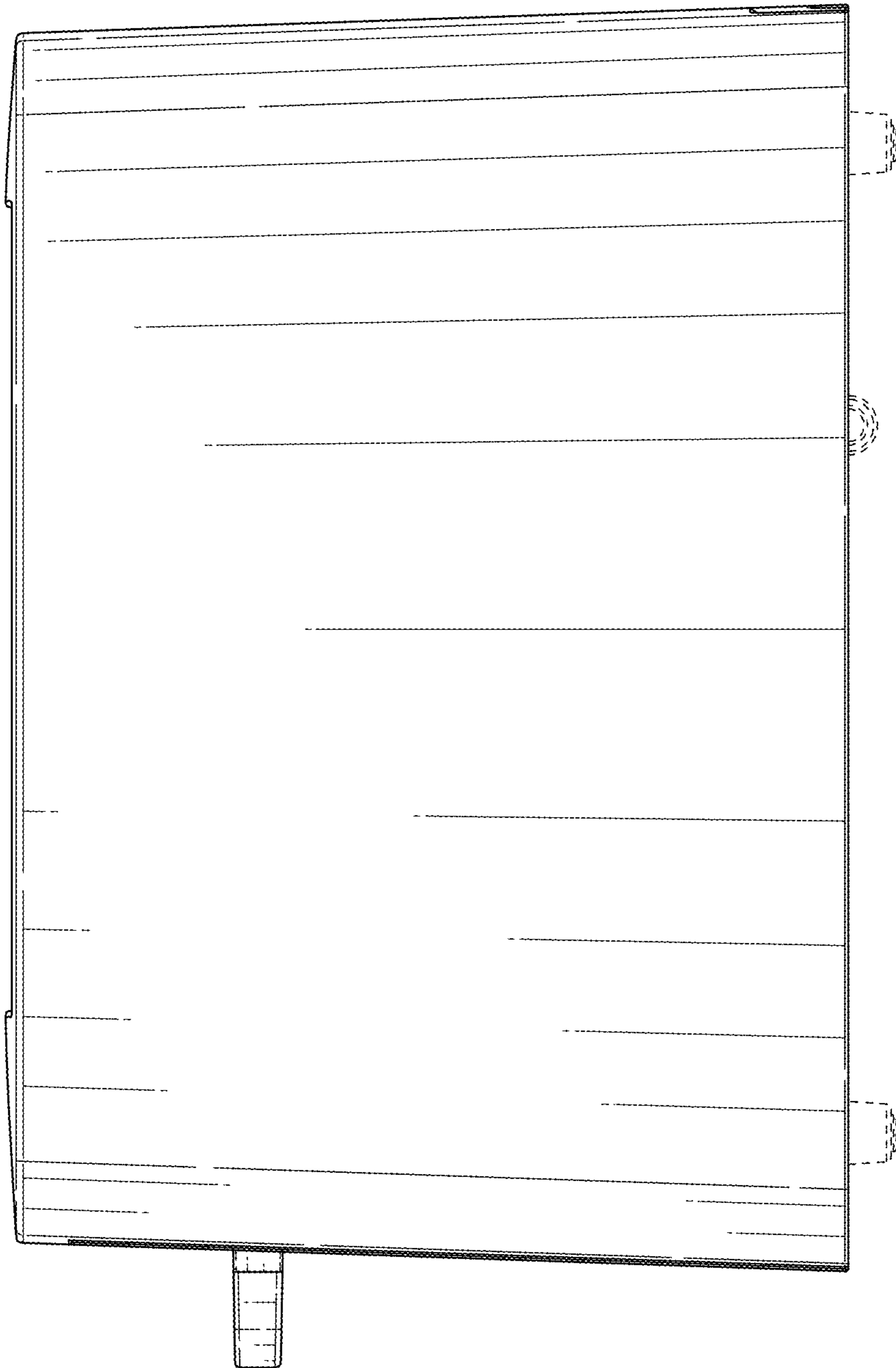


FIG. 5

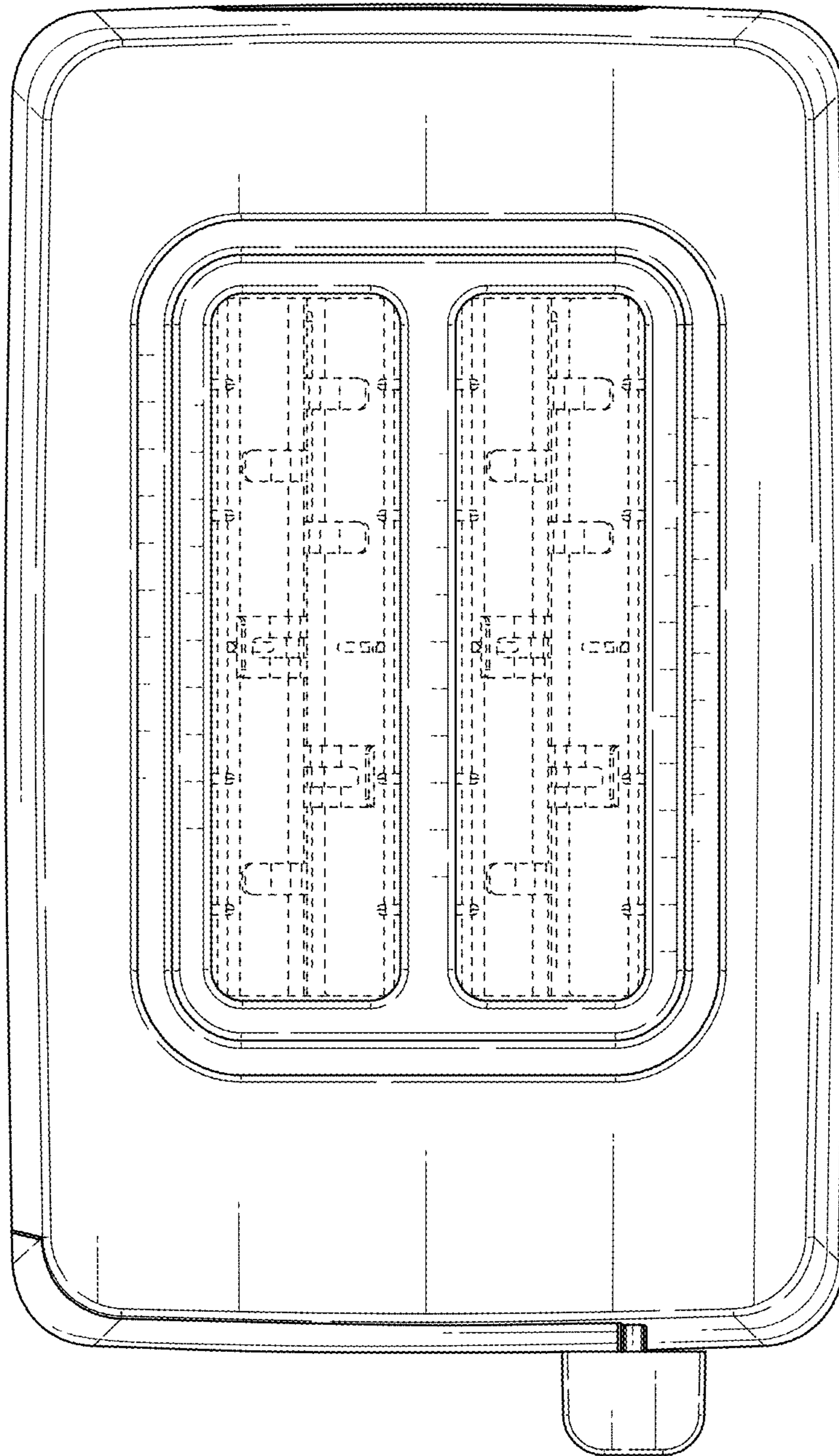


FIG. 6

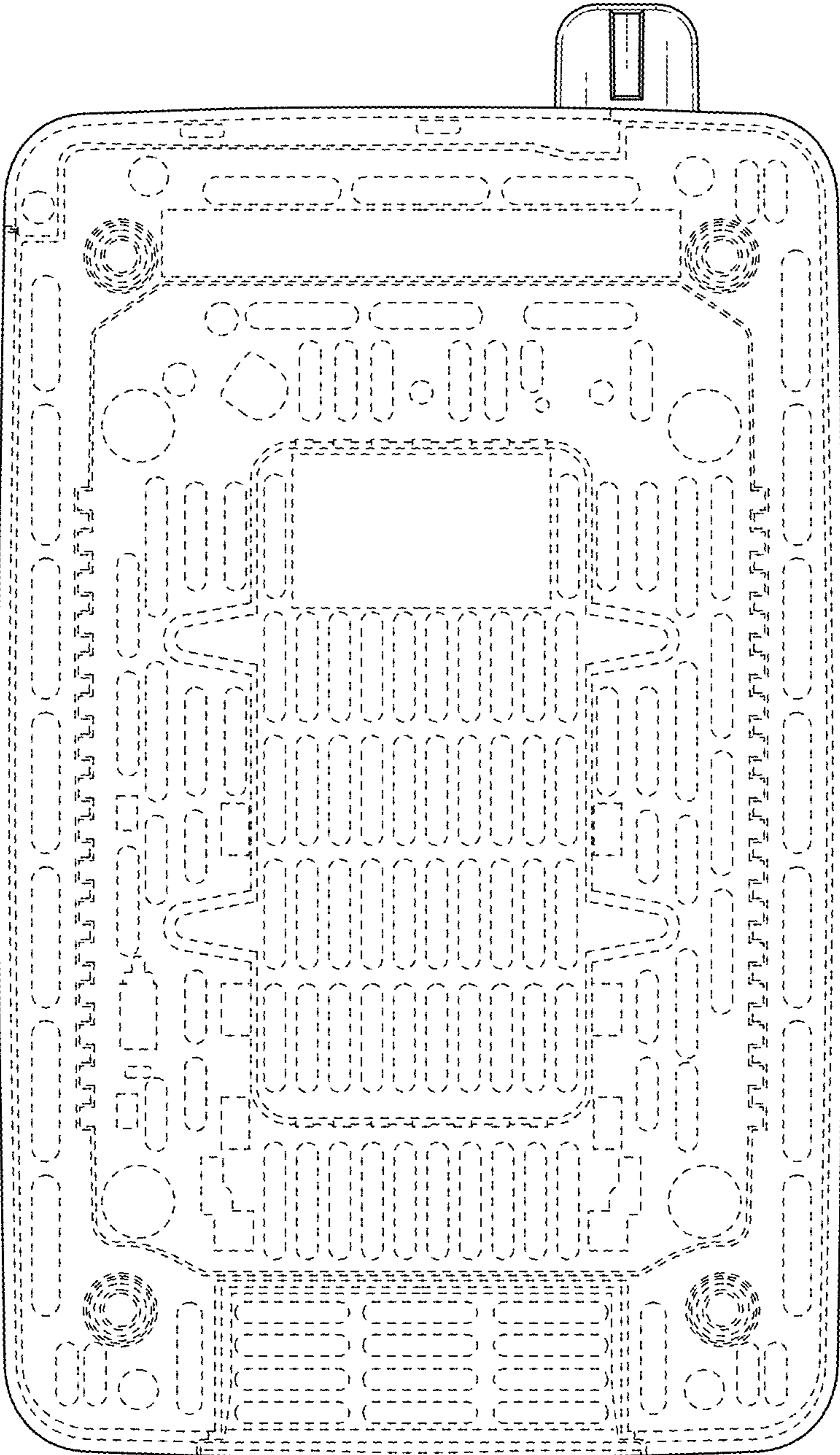


FIG. 7