



US00D970952S

(12) **United States Design Patent** (10) **Patent No.:** **US D970,952 S**  
**Wong** (45) **Date of Patent:** **\*\* Nov. 29, 2022**

(54) **OVEN**  
(71) Applicant: **CONAIR CORPORATION**, Stamford, CT (US)  
(72) Inventor: **Chi Ho Kurt Wong**, Yuen Long (HK)  
(73) Assignee: **Conair LLC**, Stamford, CT (US)  
(\*\*) Term: **15 Years**

D570,638 S 6/2008 Barnes  
D583,184 S \* 12/2008 Delong ..... D7/329  
D708,005 S \* 7/2014 Kurt ..... D7/350.4  
D749,886 S \* 2/2016 Prats ..... D7/330  
D788,514 S \* 6/2017 Bock ..... D7/329  
D794,994 S 8/2017 Bond et al.  
D896,019 S 9/2020 Musanta et al.  
D911,093 S 2/2021 Man  
D912,457 S \* 3/2021 Miller ..... D7/350.1  
D913,028 S \* 3/2021 Wong ..... D7/350.4  
D939,263 S \* 12/2021 Kang ..... D7/348  
2019/0282029 A1 9/2019 Goldberg

(21) Appl. No.: **29/769,543**

**FOREIGN PATENT DOCUMENTS**

(22) Filed: **Feb. 5, 2021**  
(51) **LOC (13) Cl.** ..... **07-02**  
(52) **U.S. Cl.**  
USPC ..... **D7/329; D7/328; D7/330**  
(58) **Field of Classification Search**  
USPC ..... D7/323, 328-330, 350.1, 350.4, 390  
CPC ... A21B 2/00; A47J 37/00; A47J 37/06; A47J  
37/0611; A47J 37/0635; A47J 37/08;  
A47J 37/0807; A47J 37/0814; A47J  
37/0835; A47J 37/0842; A47J 37/085;  
A47J 37/0864; A47J 37/0878; A47J  
37/0885; A47J 37/0892; F24C 15/10;  
F24C 15/102

CA 194288 3/2020  
WO 206589 10/2020

\* cited by examiner

*Primary Examiner* — Ricky Pham

(74) *Attorney, Agent, or Firm* — Ruggiero McAllister & McMahon, LLC

See application file for complete search history.

(57) **CLAIM**

The ornamental design for an oven, as shown and described.

(56) **References Cited**

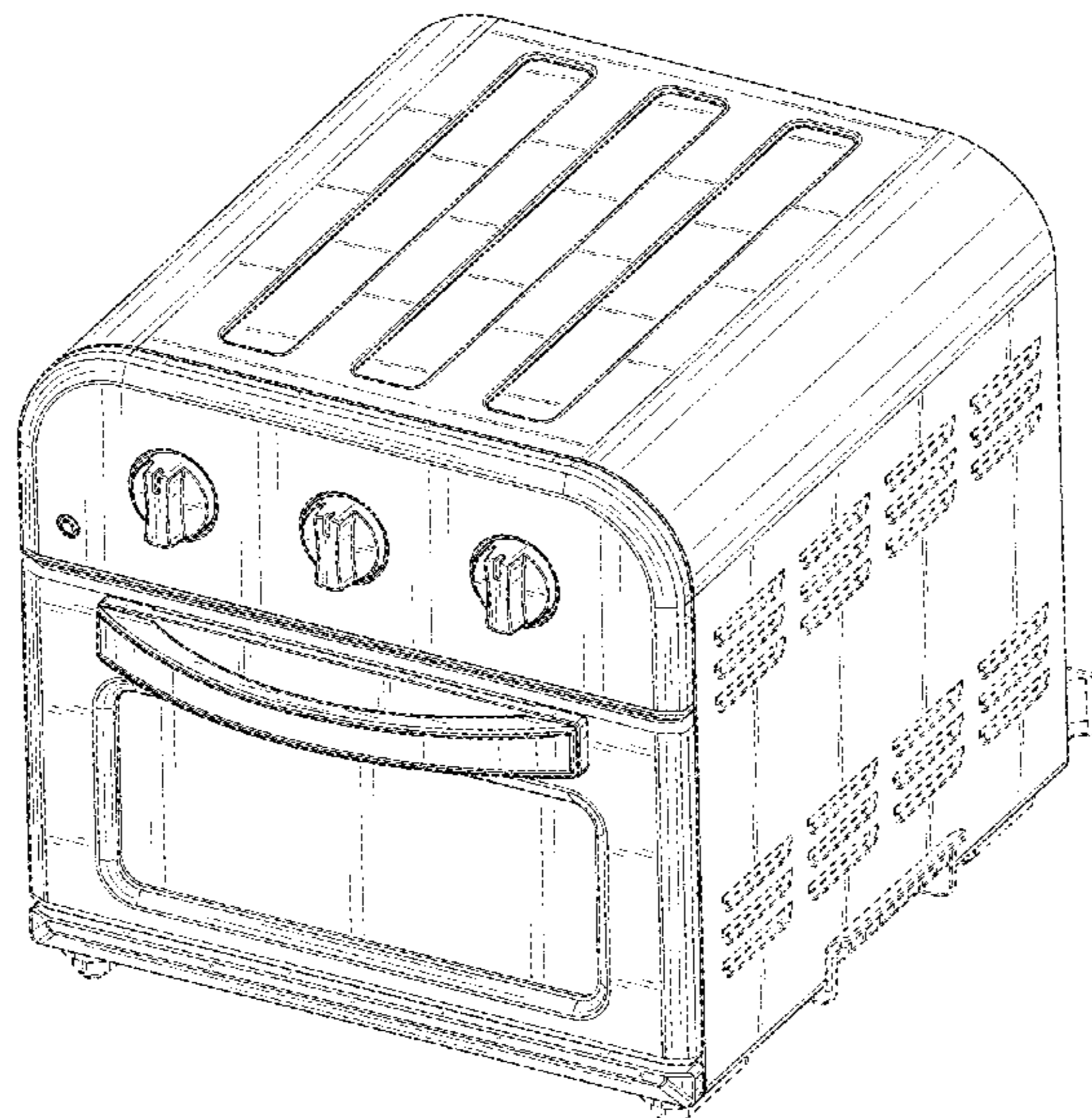
**DESCRIPTION**

**U.S. PATENT DOCUMENTS**

2,089,315 A 8/1937 Wheeler  
2,329,937 A 9/1943 Orkfritz  
4,901,631 A 2/1990 Russell et al.  
4,972,767 A 11/1990 Russell et al.  
5,054,382 A 10/1991 Ward et al.  
5,694,831 A 12/1997 Haroun et al.  
5,735,191 A 4/1998 Russell et al.  
D427,838 S \* 7/2000 Lee ..... D7/329  
D453,281 S \* 2/2002 Plumtre ..... D7/330  
7,105,778 B1 \* 9/2006 DeLong ..... A47J 37/0635  
99/357  
D549,034 S \* 8/2007 Garman ..... D7/329

FIG. 1 is a front perspective view of an ornamental design for an oven according to the present invention; FIG. 2 is a front elevational view of the oven of FIG. 1; FIG. 3 is a rear elevational view of the oven of FIG. 1; FIG. 4 is a left side elevational view of the oven of FIG. 1; FIG. 5 is a right side elevational view of the oven of FIG. 1; FIG. 6 is a top plan view of the oven of FIG. 1; and, FIG. 7 is a bottom plan view of the oven of FIG. 1. The broken lines shown in FIGS. 1-7 are for the purpose of illustrating environmental structure and form no part of the claimed design.

**1 Claim, 7 Drawing Sheets**



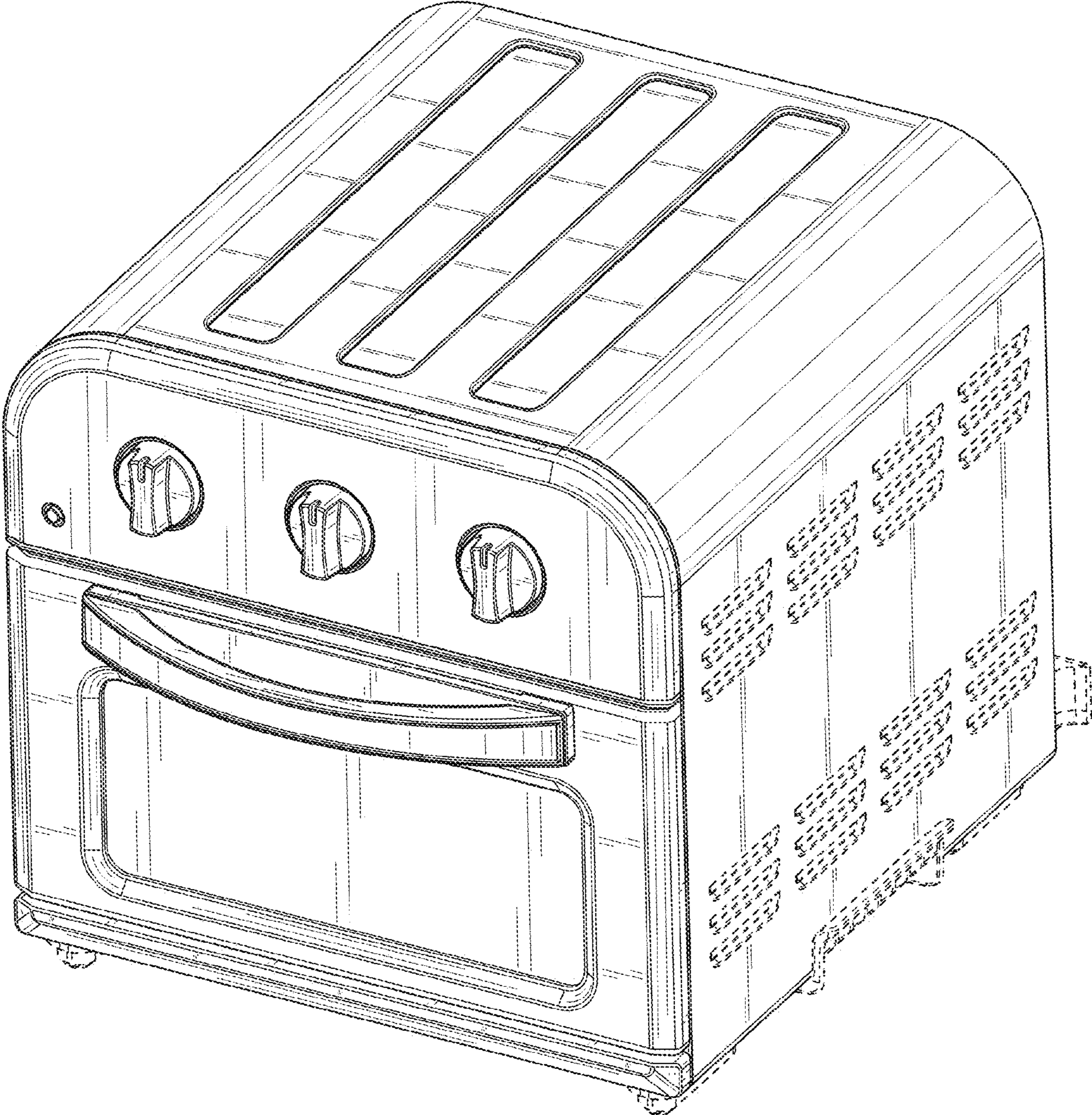


FIG. 1

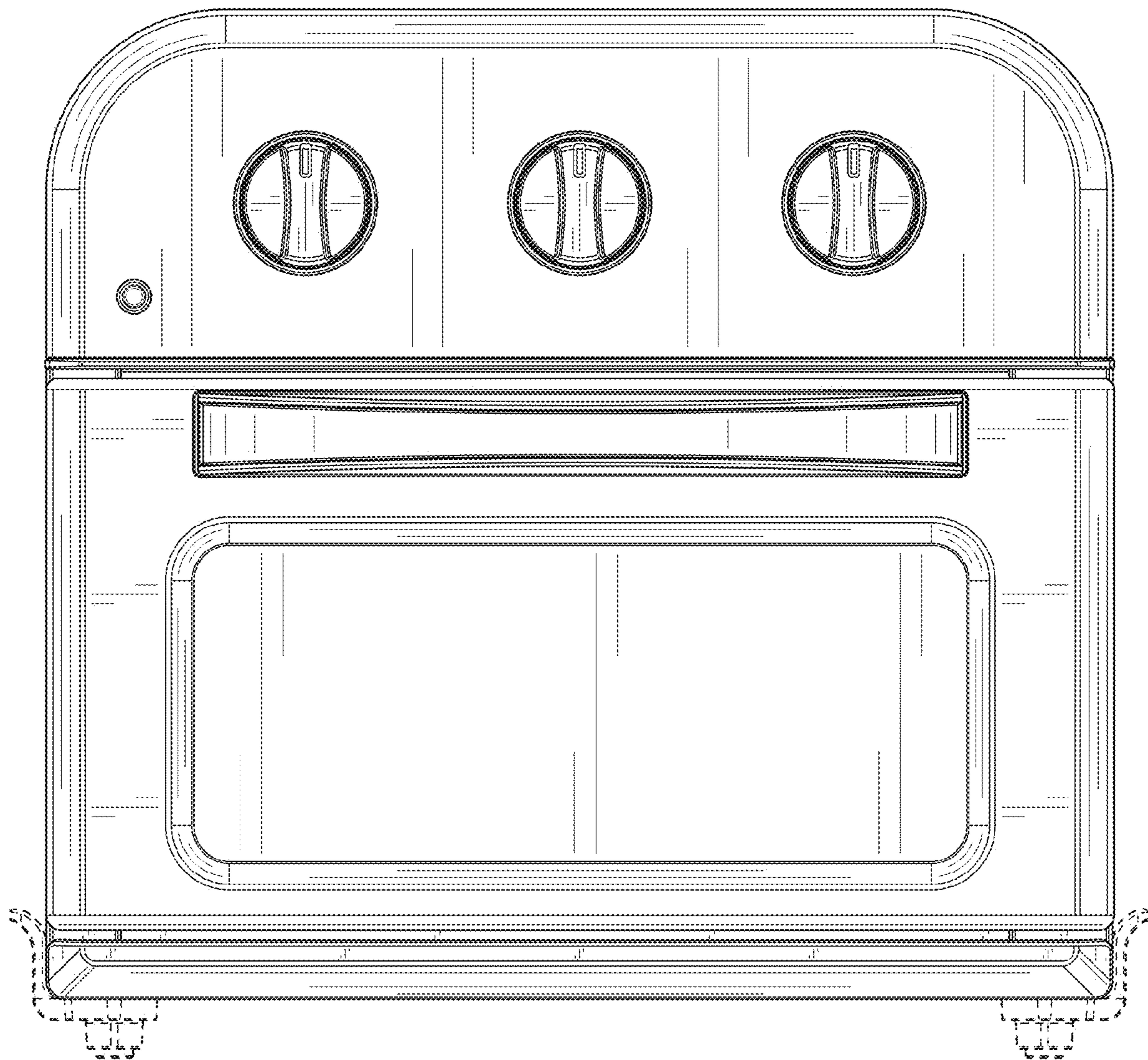


FIG. 2

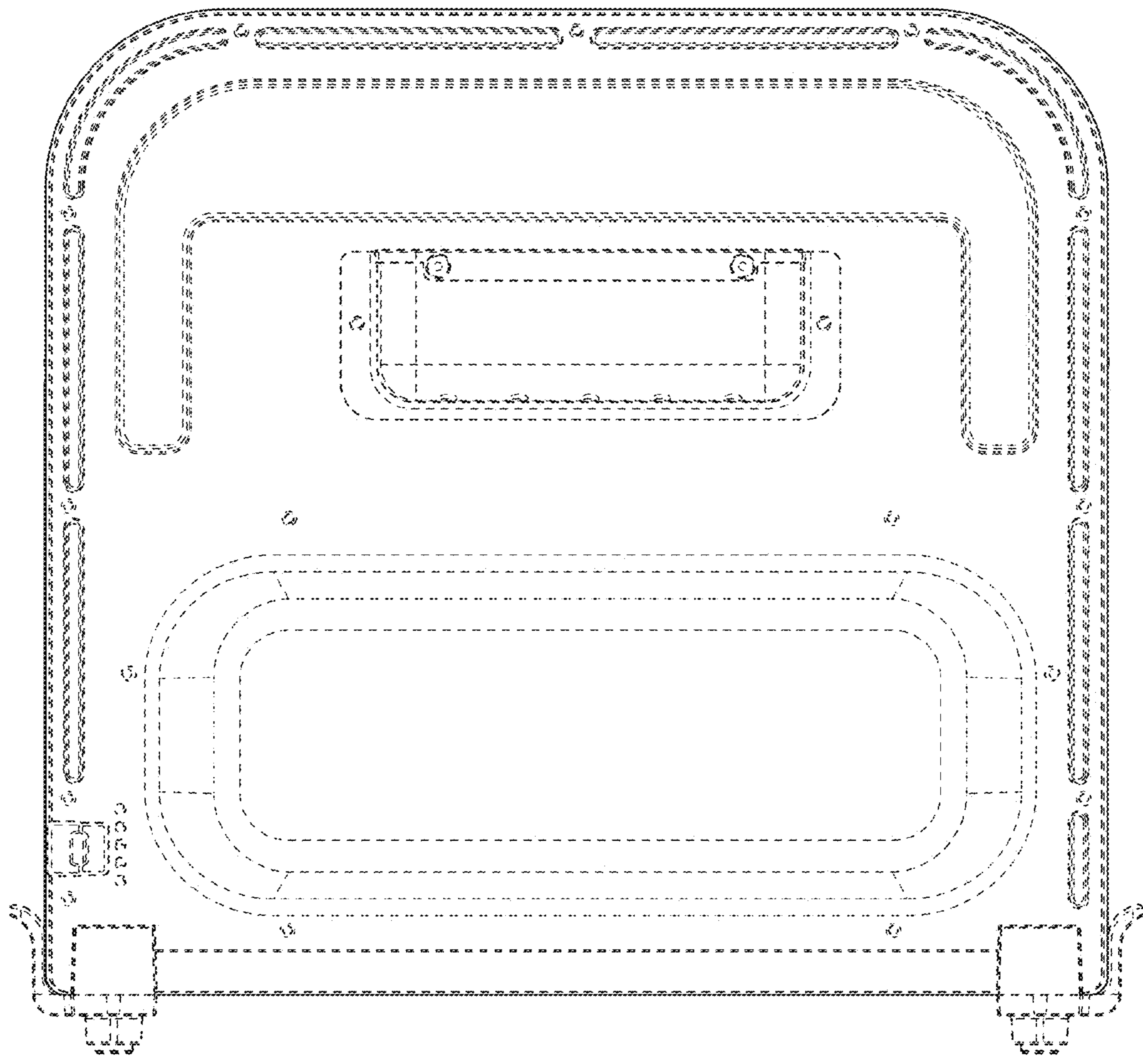


FIG. 3

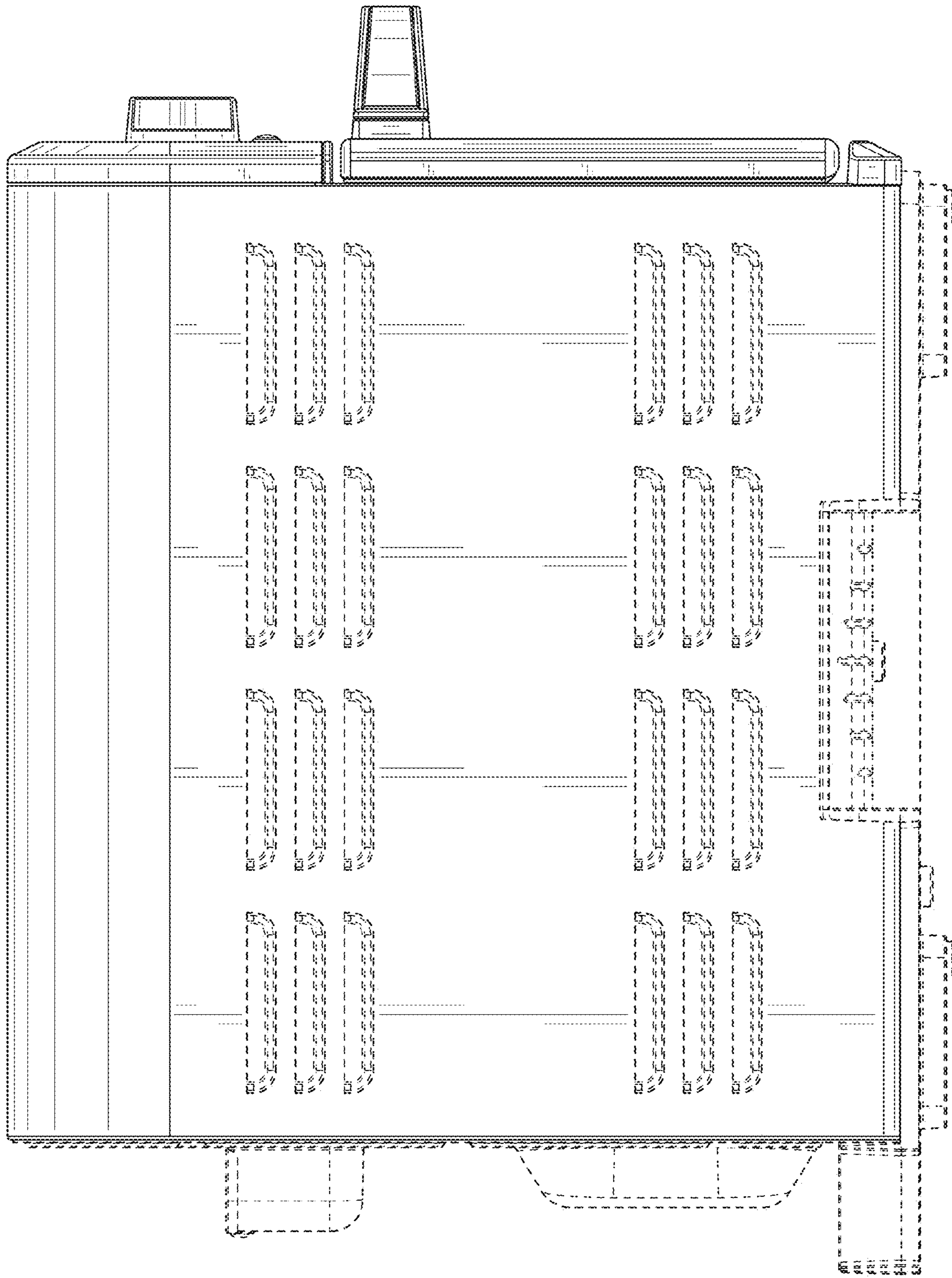


FIG. 4

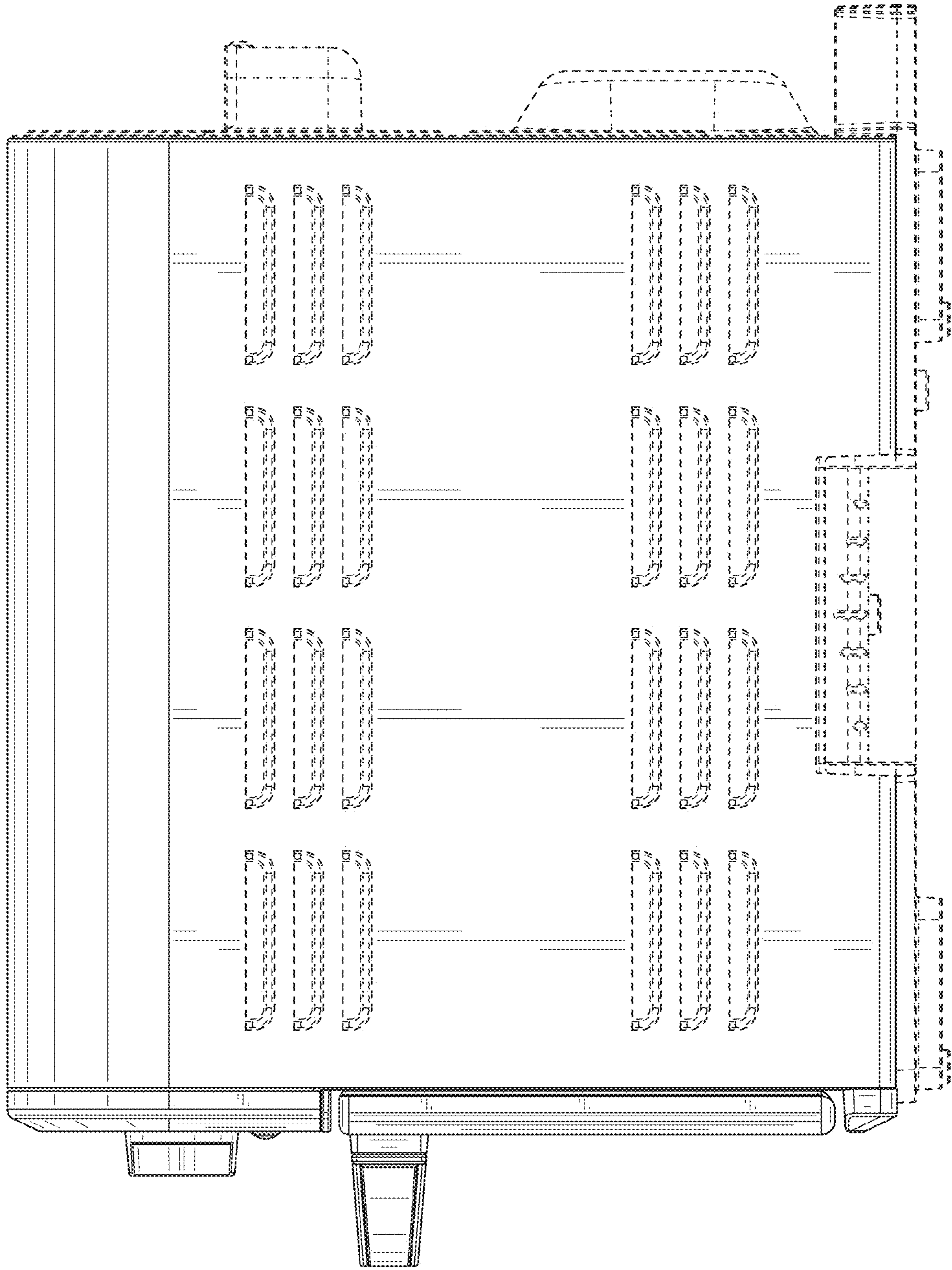


FIG. 5

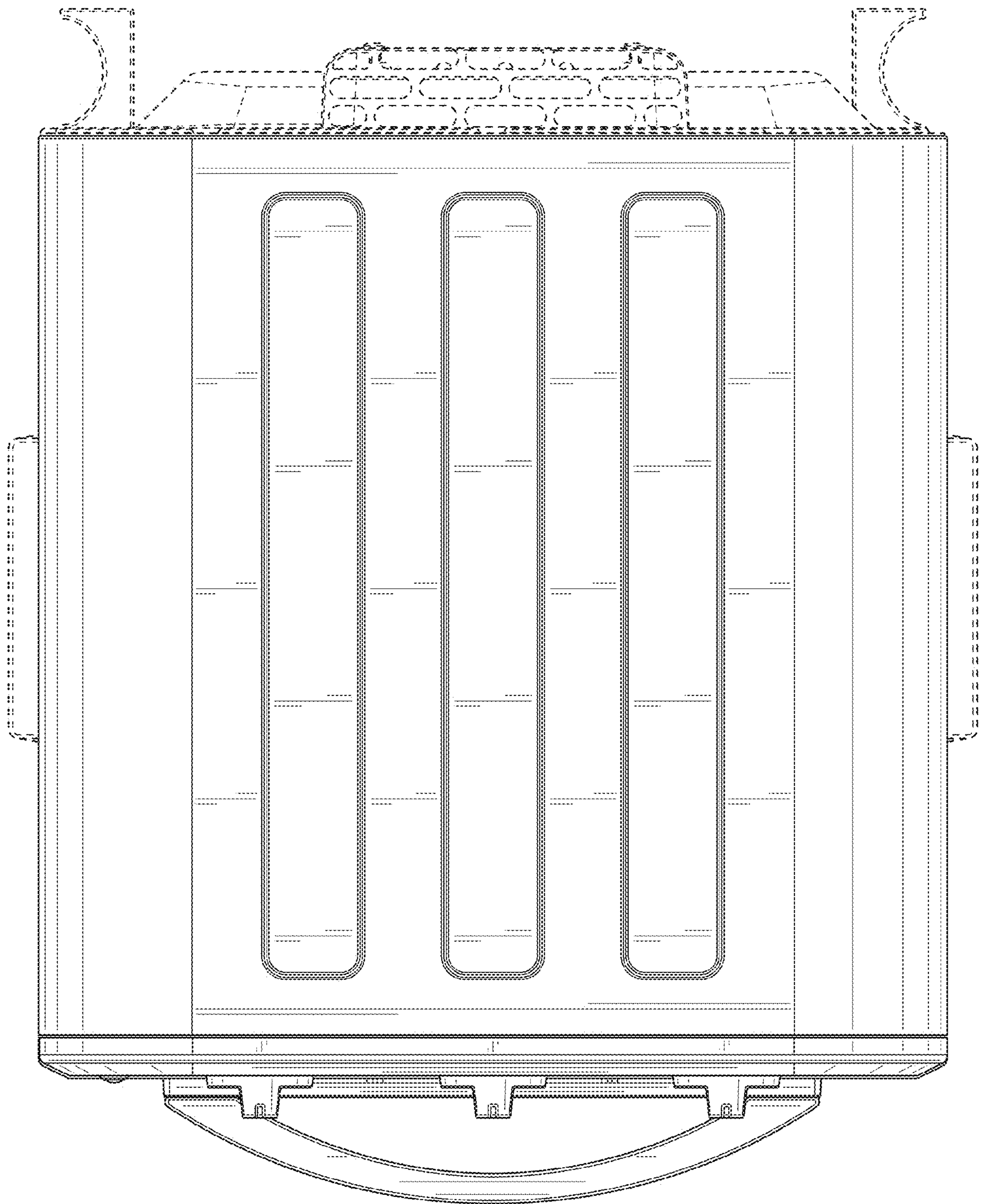


FIG. 6

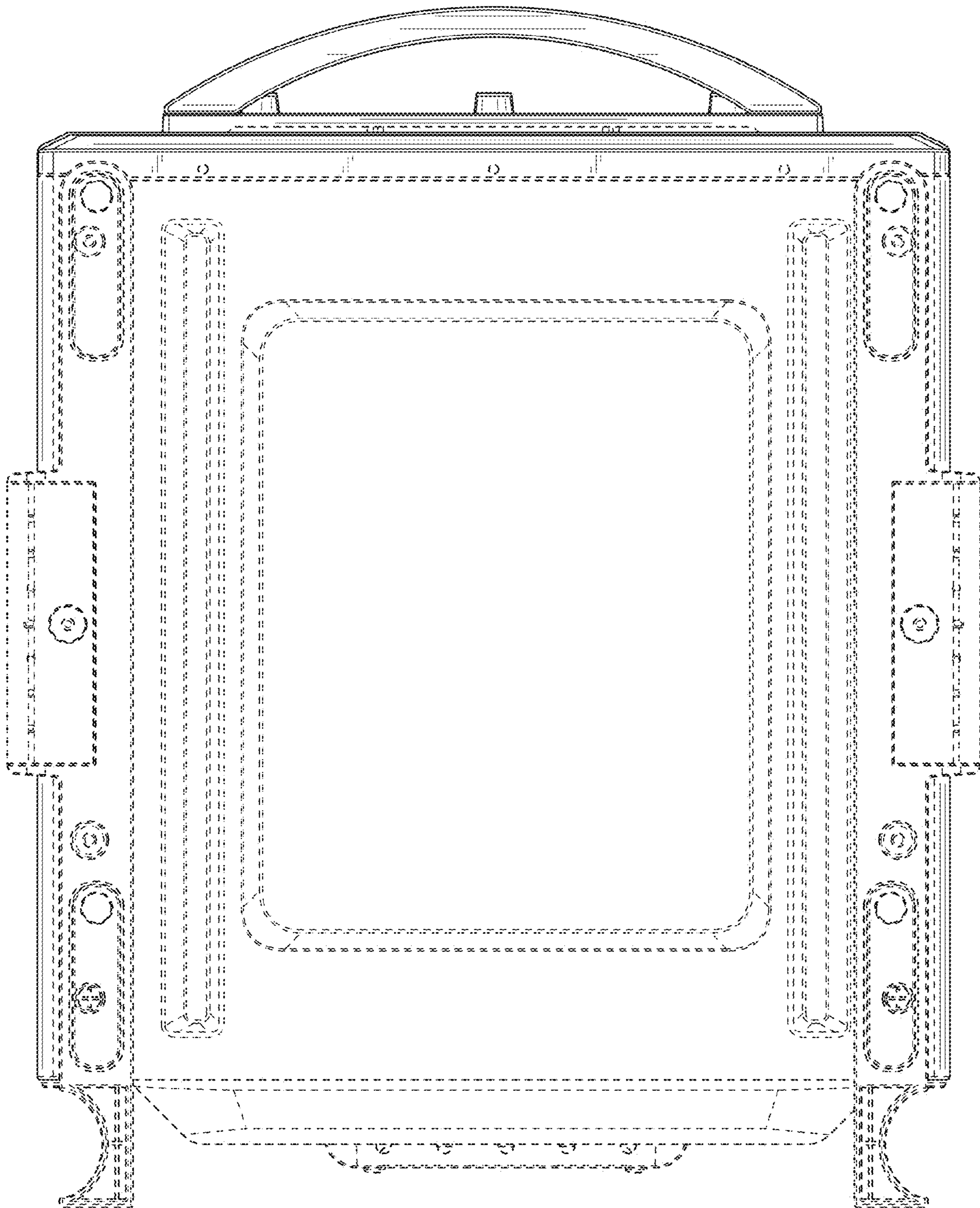


FIG. 7