



US00D970951S

(12) **United States Design Patent**
Hung et al.

(10) **Patent No.:** **US D970,951 S**

(45) **Date of Patent:** **** Nov. 29, 2022**

(54) **WATER DISPENSER**

(71) Applicant: **BEIJING XIAOMI MOBILE SOFTWARE CO., LTD.**, Beijing (CN)

(72) Inventors: **Wei-Hung Hung**, Beijing (CN); **Lei Zhang**, Beijing (CN); **Ningning Li**, Beijing (CN)

(73) Assignee: **Beijing Xiaomi Mobile Software Co., Ltd.**, Beijing (CN)

(**) Term: **15 Years**

(21) Appl. No.: **35/511,530**

(22) Filed: **Sep. 10, 2020**

(80) **Hague Agreement Data**

Int. Filing Date: **Sep. 10, 2020**
Int. Reg. No.: **DM/210277**
Int. Reg. Date: **Sep. 10, 2020**
Int. Reg. Pub. Date: **Mar. 12, 2021**

(30) **Foreign Application Priority Data**

Mar. 12, 2020 (CN) 202030081526.3

(51) **LOC (13) Cl.** **20-01**

(52) **U.S. Cl.**
USPC **D7/311**

(58) **Field of Classification Search**
USPC D7/300.2, 319, 323, 337, 350.1, 354,
D7/358, 381, 407, 416, 510, 511, 524,
D7/530, 536, 554.2, 562, 598, 605
CPC . A23G 23/00; A23L 5/10; A47G 23/00; A47J
43/28; B24B 9/12; Y10S 215/05; Y10S
215/06
See application file for complete search history.

(56) **References Cited**

U.S. PATENT DOCUMENTS

D375,431 S * 11/1996 Credle, Jr. D7/311
D555,968 S * 11/2007 Pfeifer D7/311

D571,598 S * 6/2008 Moore D7/311
D604,087 S * 11/2009 Lavy D7/311
D613,107 S * 4/2010 Hausner D7/311
D732,330 S * 6/2015 Cha D7/311
D732,331 S * 6/2015 Tomasson D7/311
D735,515 S * 8/2015 Fusco D7/311
D743,728 S * 11/2015 Tomasson D7/311
D757,477 S * 5/2016 Wang D7/313
D769,663 S * 10/2016 Palermo D7/311
D775,887 S * 1/2017 Atkin D7/311
D777,498 S * 1/2017 Bandixen D7/311
D786,603 S * 5/2017 Palermo D7/311
D807,691 S * 1/2018 Connell D7/378
D822,154 S * 7/2018 Lee D23/207
D831,398 S * 10/2018 Cahen D7/311
D838,531 S * 1/2019 Bodum D7/311
D879,530 S * 3/2020 Cauwood D7/311

(Continued)

Primary Examiner — Karen S Acker

(74) *Attorney, Agent, or Firm* — Amster, Rothstein & Ebenstein LLP

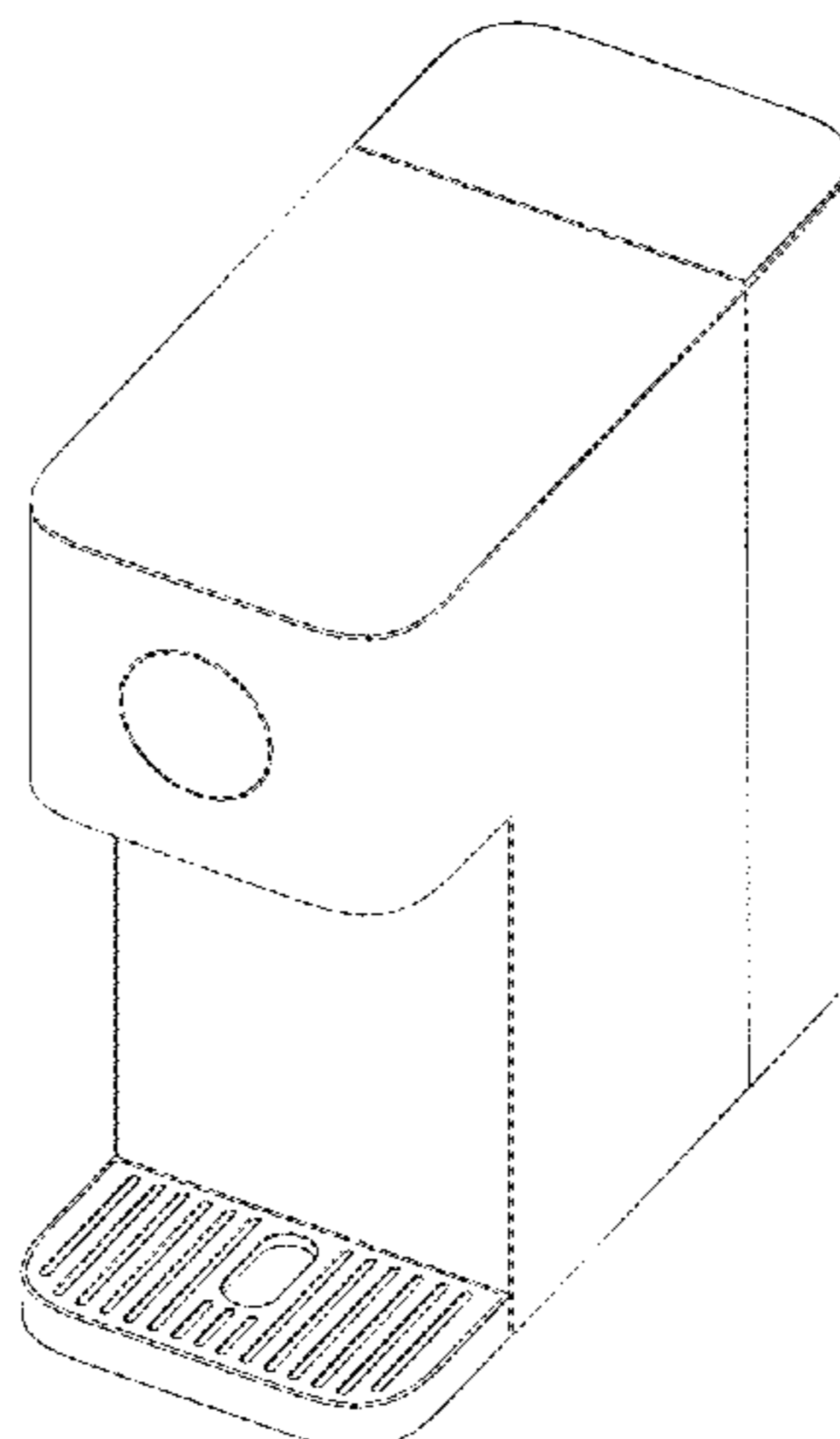
(57) **CLAIM**

The ornamental design for a water dispenser, as shown and described.

DESCRIPTION

1.1 is a front elevation view of a water dispenser showing our new design;
1.2 is a back elevation view thereof;
1.3 is a left side elevation view thereof;
1.4 is a right side elevation view thereof;
1.5 is a top plan view thereof;
1.6 is a bottom plan view thereof; and
1.7 is a top perspective view, thereof; and
1.8 is a bottom perspective view thereof.
The broken lines depict portions of the water dispenser that form no part of the claimed design. Providing filtered and purified water for drinking is the intended use of the water dispenser according to the new design.

1 Claim, 6 Drawing Sheets



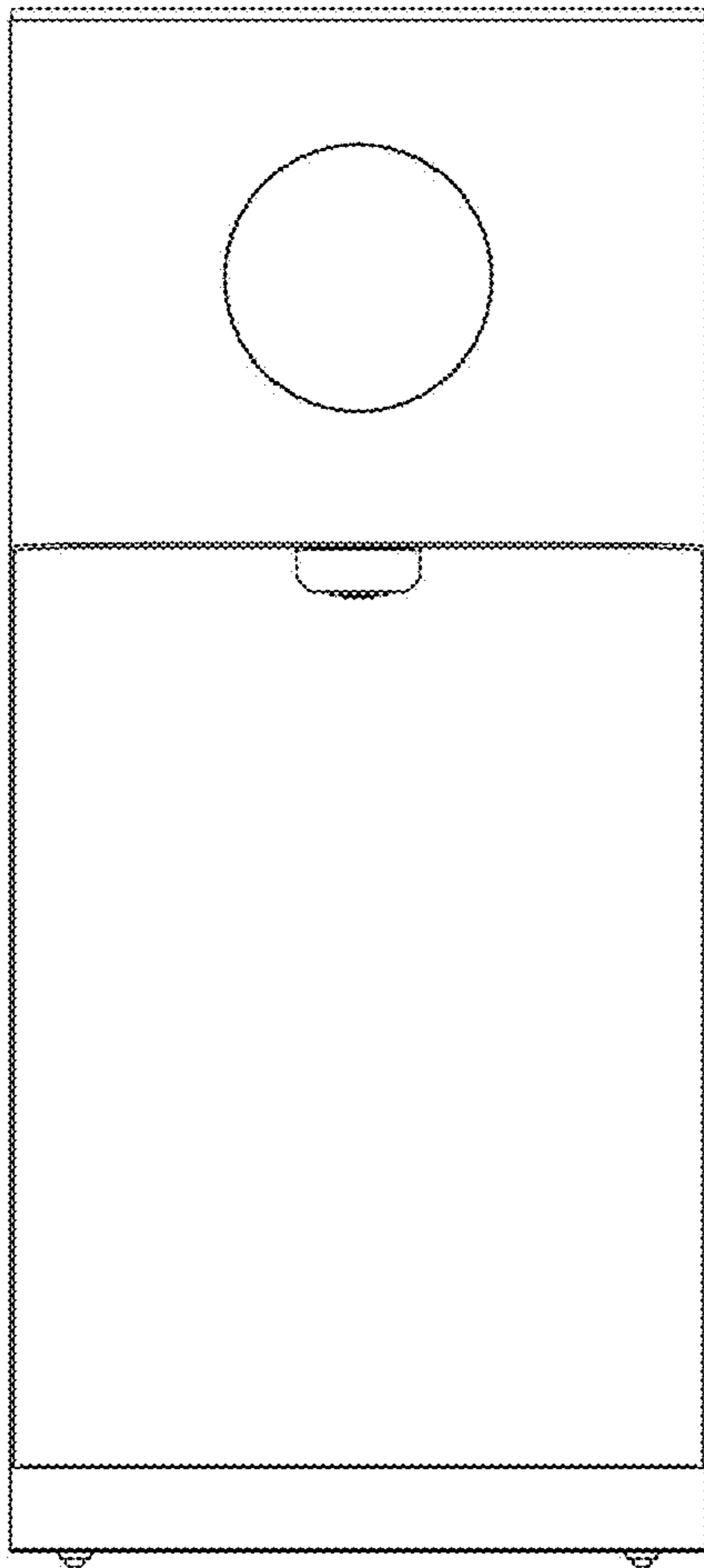
(56)

References Cited

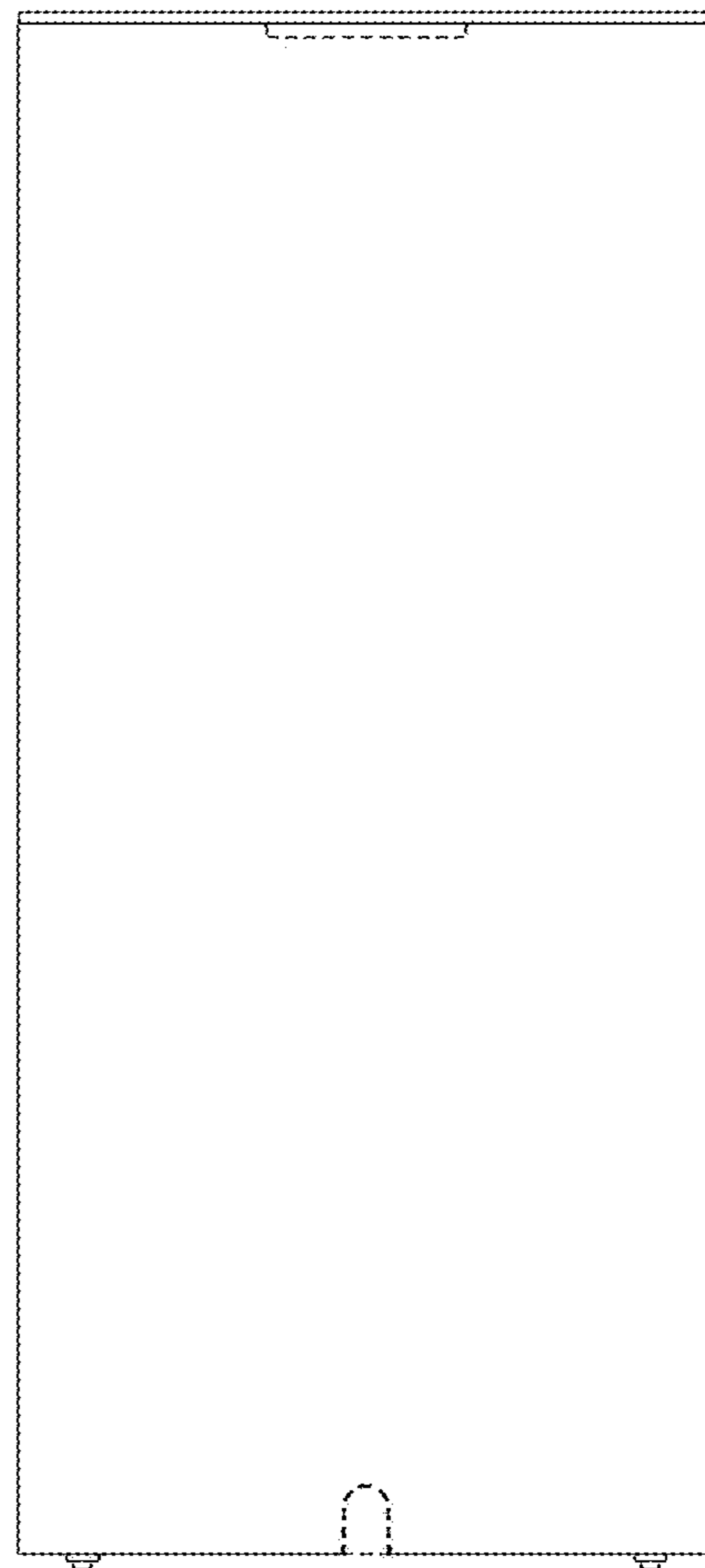
U.S. PATENT DOCUMENTS

D888,485 S *	6/2020	Kim	D23/209
D891,845 S *	8/2020	Rummel	D7/308
D893,234 S *	8/2020	Broen	D7/397
D907,174 S *	1/2021	Park	D23/207
D931,408 S *	9/2021	Cho	D23/207

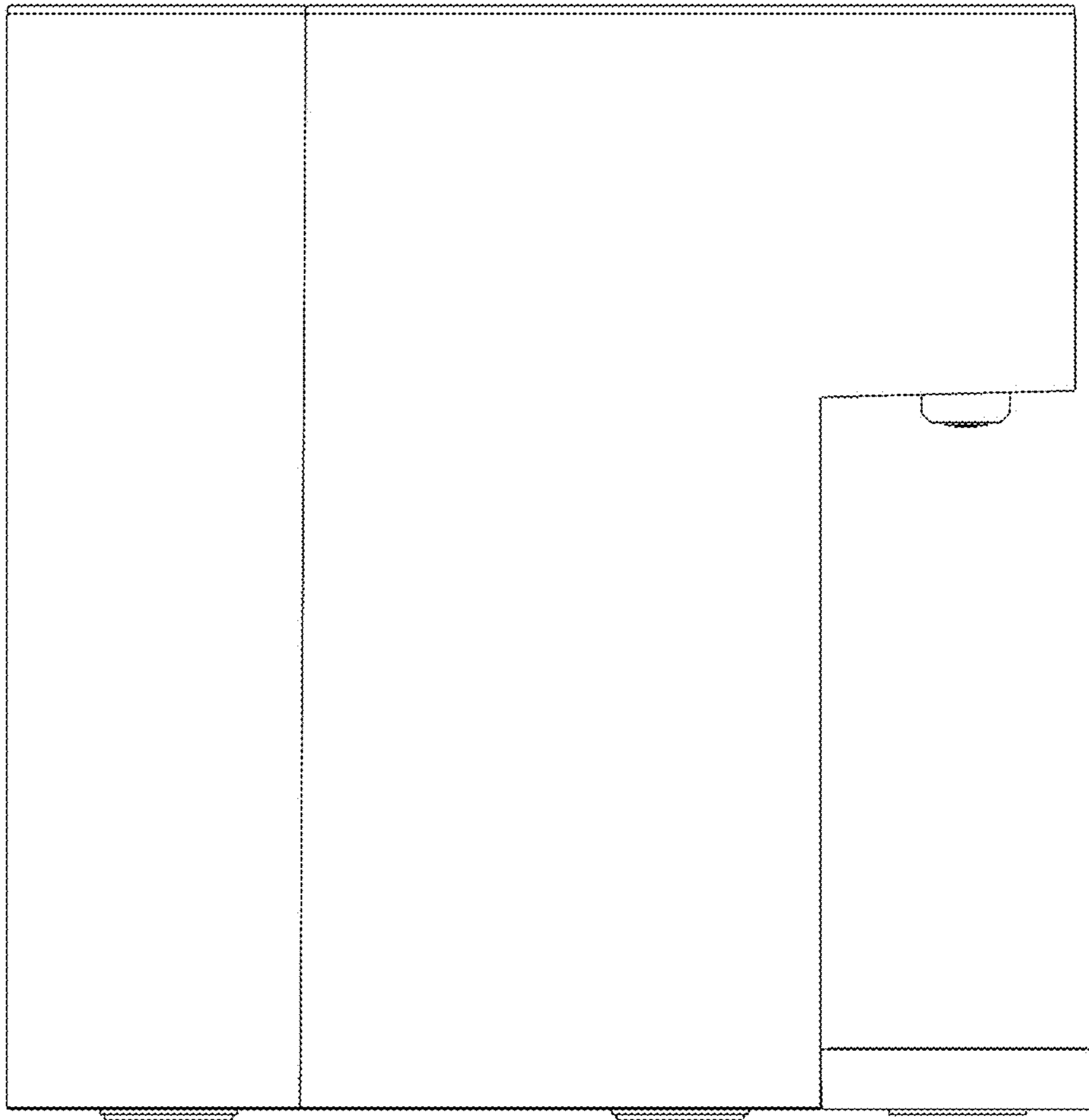
* cited by examiner



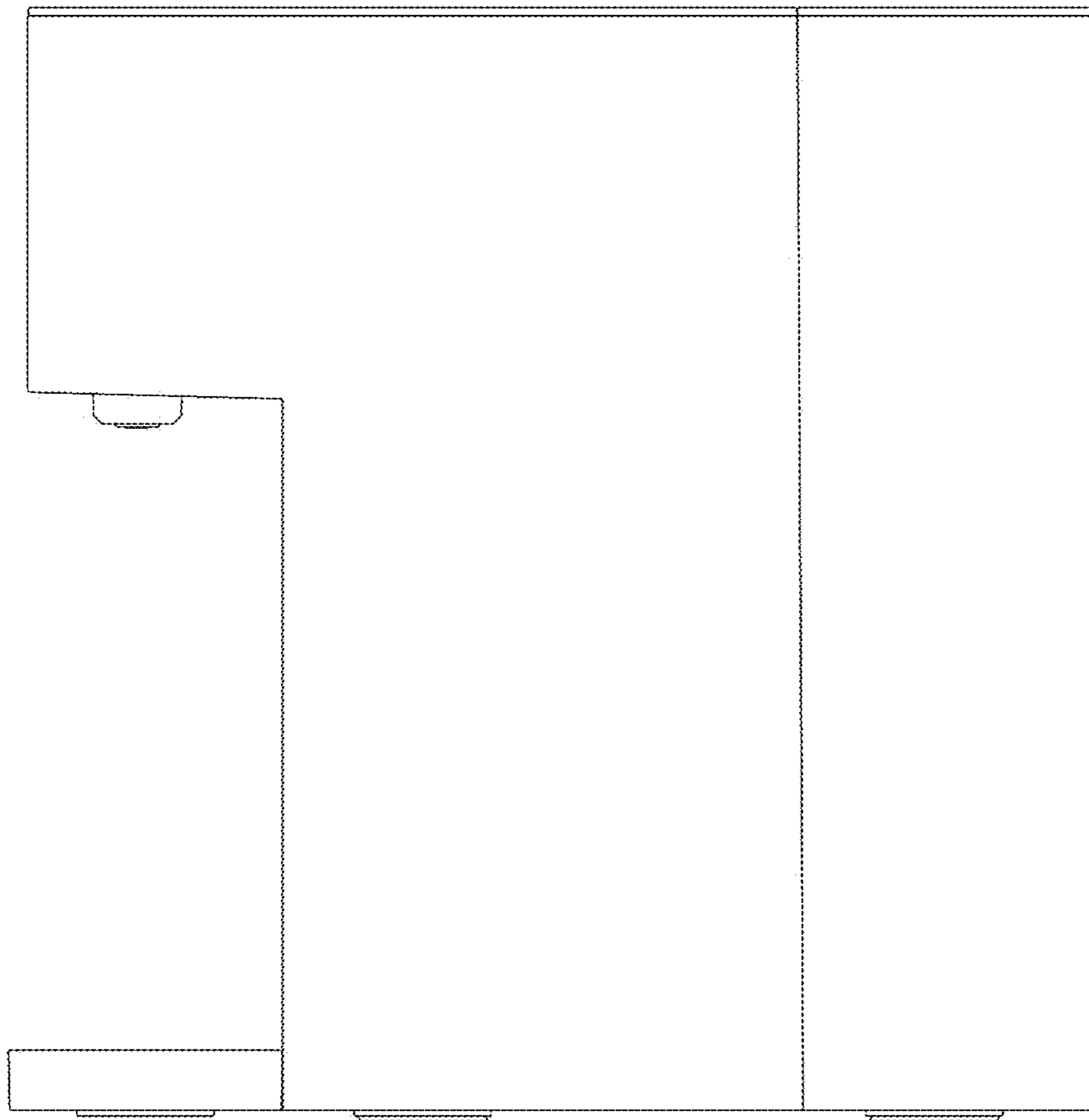
1.1



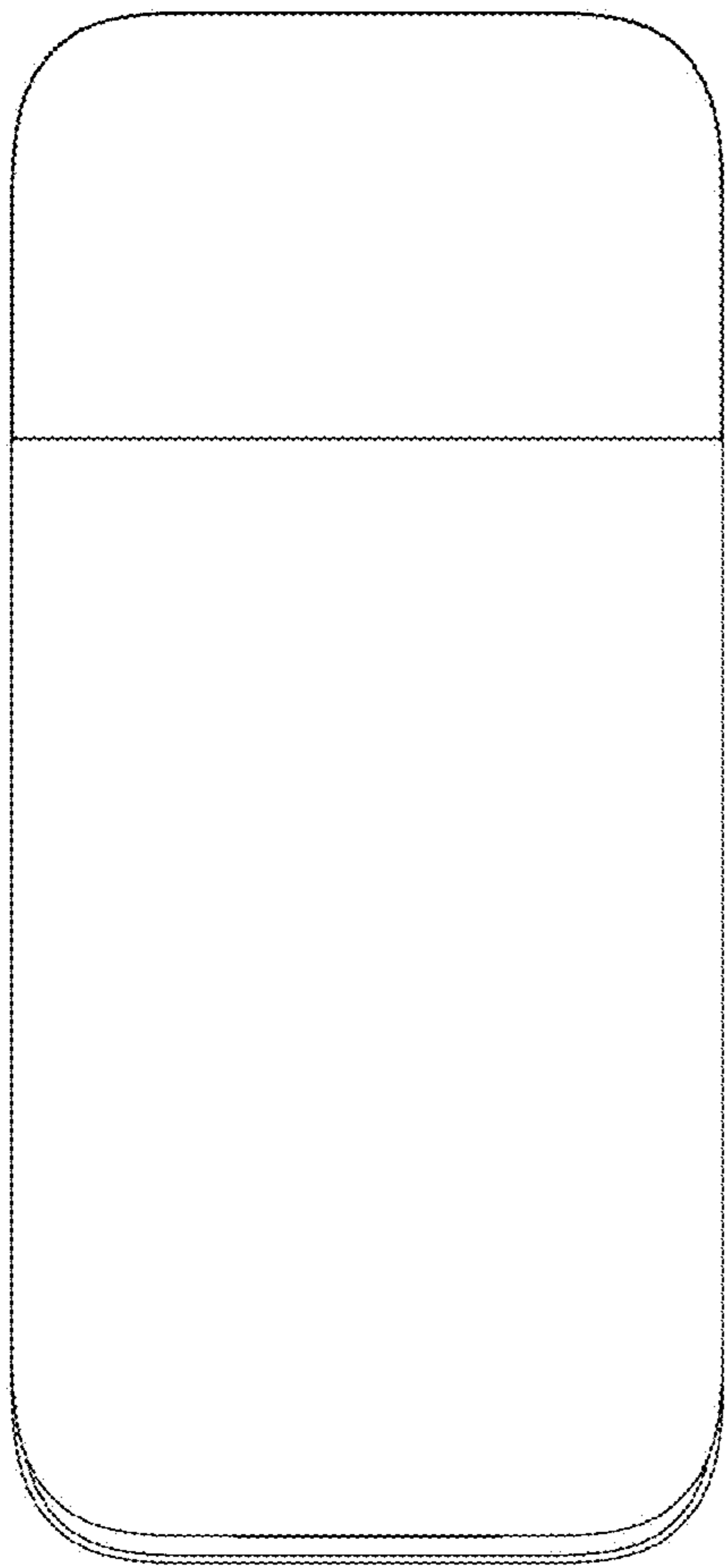
1.2



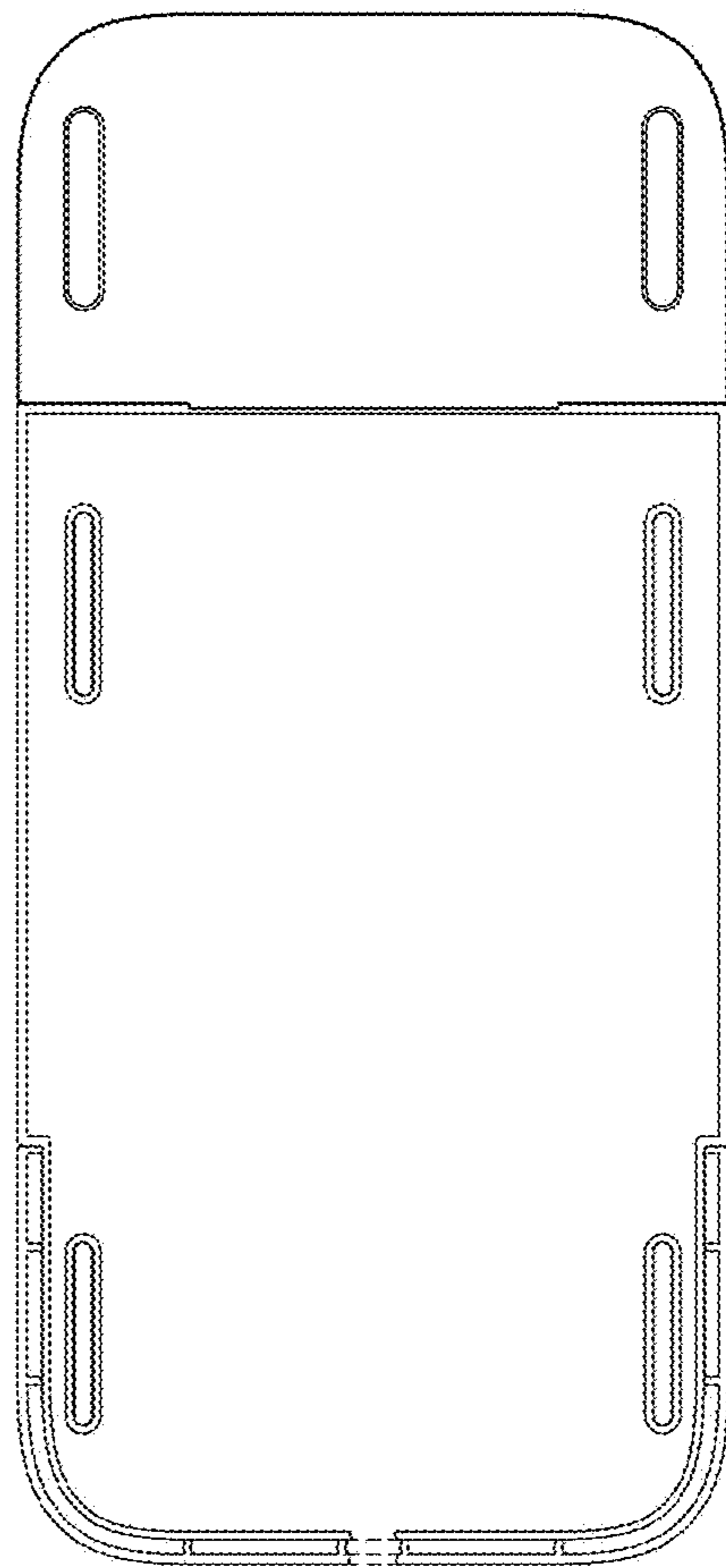
1.3



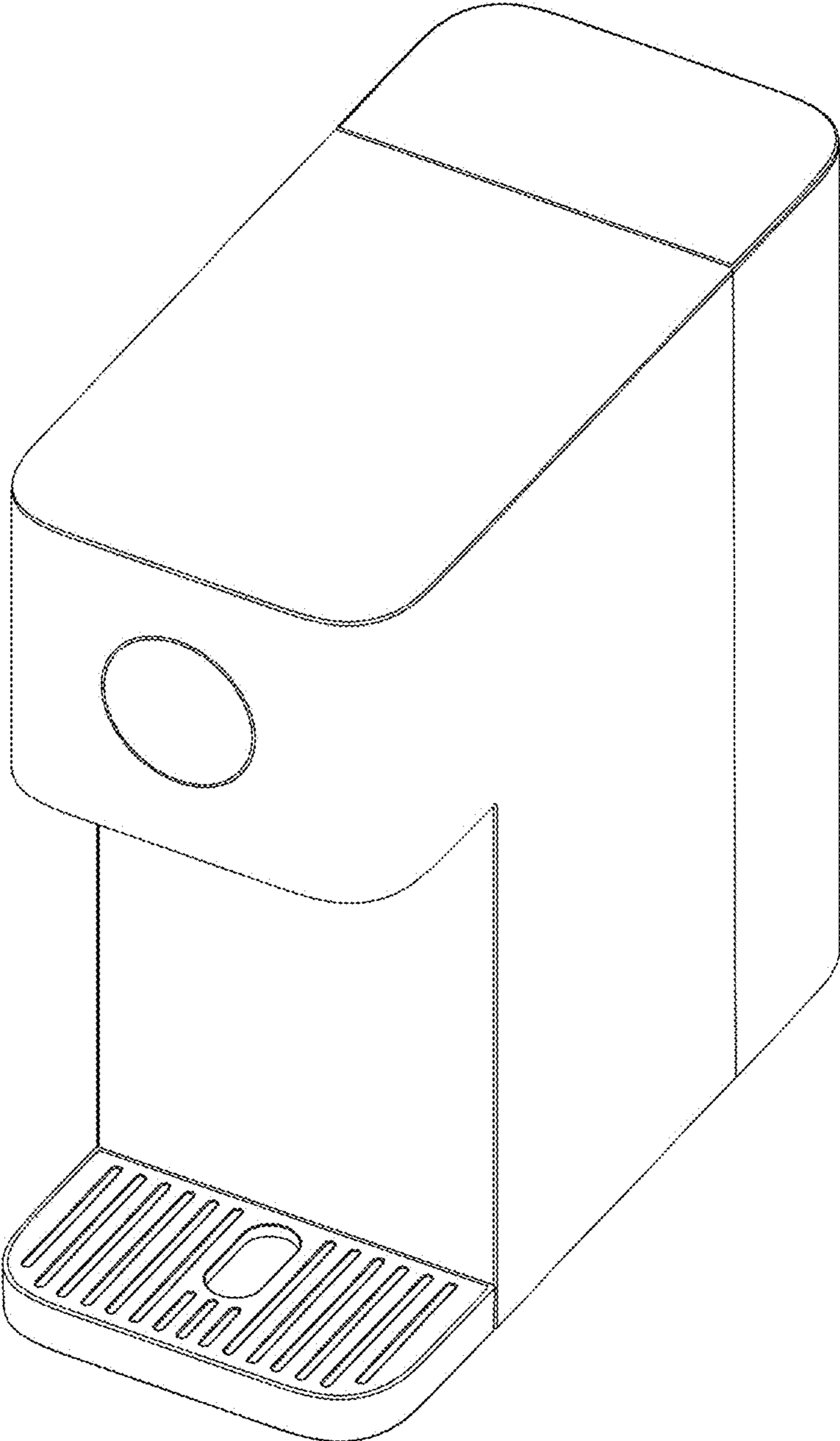
1.4



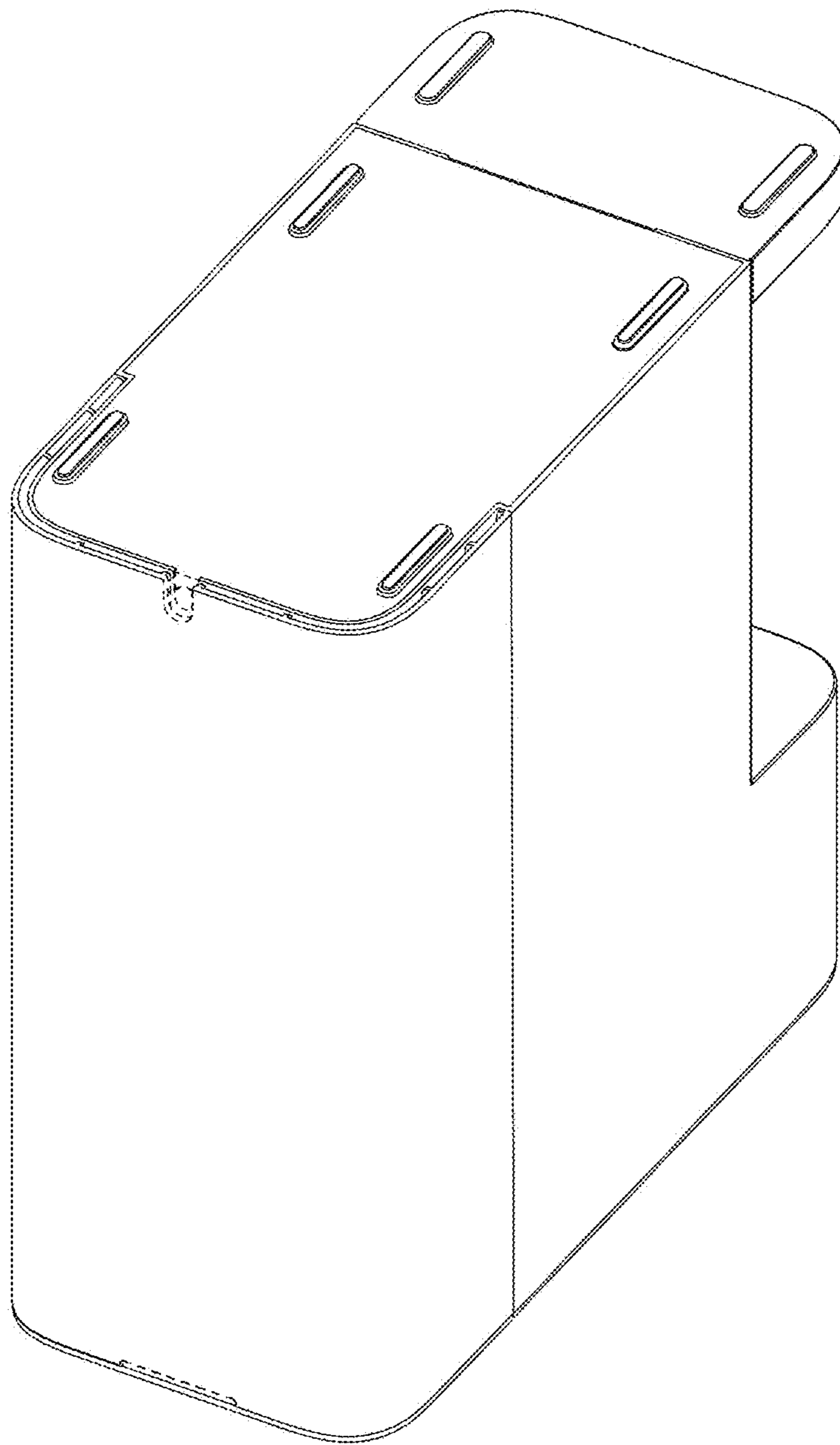
1.5



1.6



1.7



1.8