



US00D970948S

(12) **United States Design Patent**
Mezzera

(10) **Patent No.:** **US D970,948 S**

(45) **Date of Patent:** **** Nov. 29, 2022**

- (54) **BACK AND SEAT FOR A CHAIR**
- (71) Applicant: **Marcelo Mezzera**, Rancho Santa Margarita, CA (US)
- (72) Inventor: **Marcelo Mezzera**, Rancho Santa Margarita, CA (US)
- (**) Term: **15 Years**
- (21) Appl. No.: **29/774,982**
- (22) Filed: **Mar. 19, 2021**
- (51) **LOC (13) Cl.** **06-01**
- (52) **U.S. Cl.**
USPC **D6/716**
- (58) **Field of Classification Search**
USPC D6/349, 350, 356, 360, 362, 364, 365, D6/366, 367, 371, 372, 374, 375, 376, D6/379, 380, 716, 716.1
CPC A47C 1/02; A47C 1/022; A47C 1/024; A47C 1/032; A47C 1/03255; A47C 1/034; A47C 1/035; A47C 1/04; A47C 1/06; A47C 3/18; A47C 3/20; A47C 3/025; A47C 3/026; A47C 7/18; A47C 7/24; A47C 7/36; A47C 7/46; A47C 9/007; A47C 9/02; A47C 5/04
See application file for complete search history.

D532,227 S	*	11/2006	Smith	D6/366
D769,633 S	*	10/2016	Mezzera	D6/366
D770,820 S	*	11/2016	Mezzera	D6/366
D918,611 S	*	5/2021	Wang	D6/366
D935,251 S	*	11/2021	Bhakta	D6/716
D935,252 S	*	11/2021	Bhakta	D6/716
D949,613 S	*	4/2022	Rowe	D6/716

* cited by examiner

Primary Examiner — R. Johnson

(74) *Attorney, Agent, or Firm* — Morland C. Fischer

(57) **CLAIM**

The ornamental design for a back and seat for a chair, shown and described.

DESCRIPTION

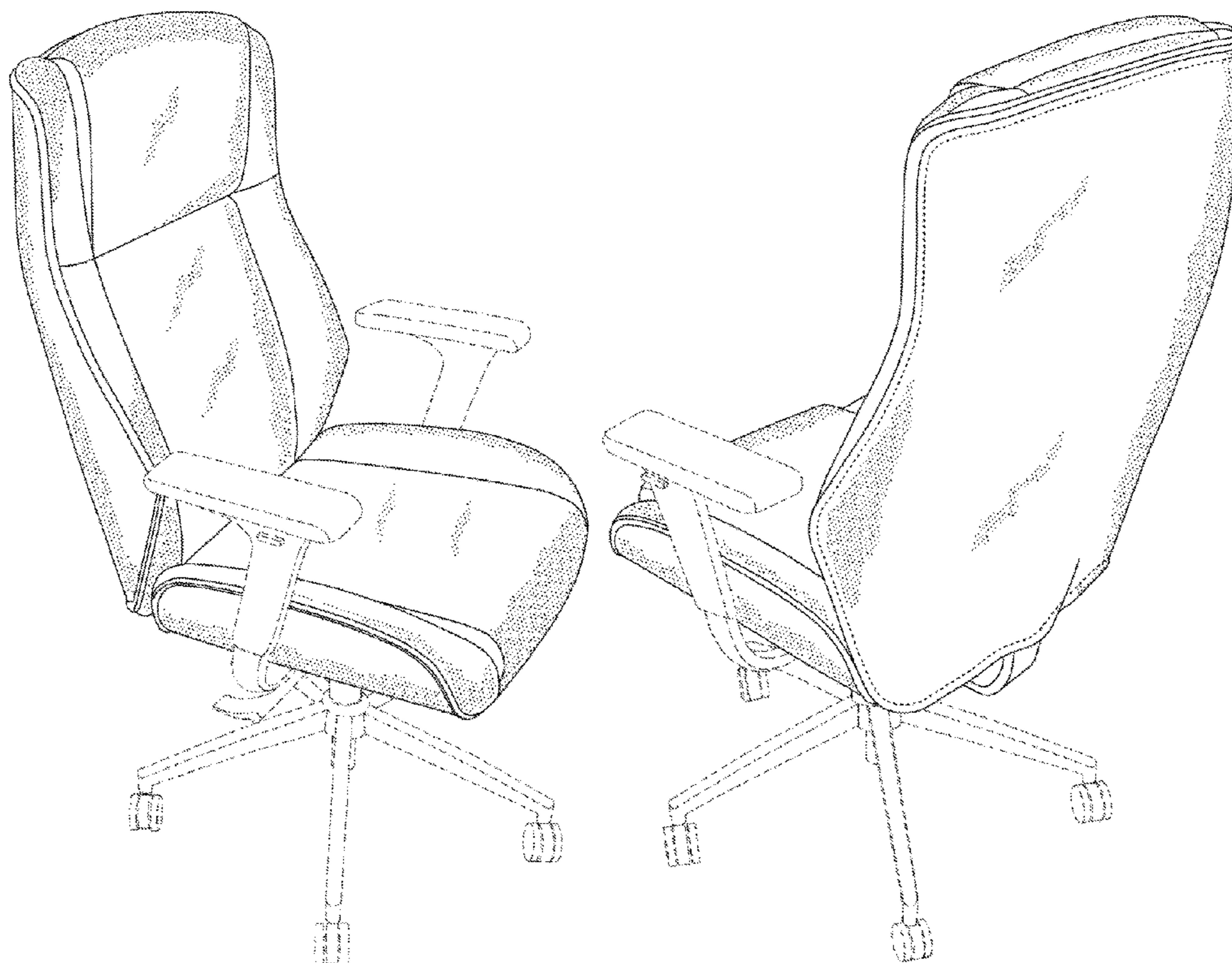
FIG. 1 is a perspective view showing the right side, top and front of a back and seat for a chair showing my new design; FIG. 2 is a perspective view showing the left side, top and rear thereof; FIG. 3 is a front elevational view thereof; FIG. 4 is a left side elevational view thereof; FIG. 5 is a rear elevational view thereof; FIG. 6 is a right side elevational view thereof; FIG. 7 is a top plan view thereof; and, FIG. 8 is a bottom plan view thereof. The short broken lines in the figures are understood to represent stitching. The long broken lines represent environment that forms no part of the claimed design.

1 Claim, 7 Drawing Sheets

(56) **References Cited**

U.S. PATENT DOCUMENTS

D467,442 S	*	12/2002	Zaidman	D6/366
D531,434 S	*	11/2006	True	D6/366



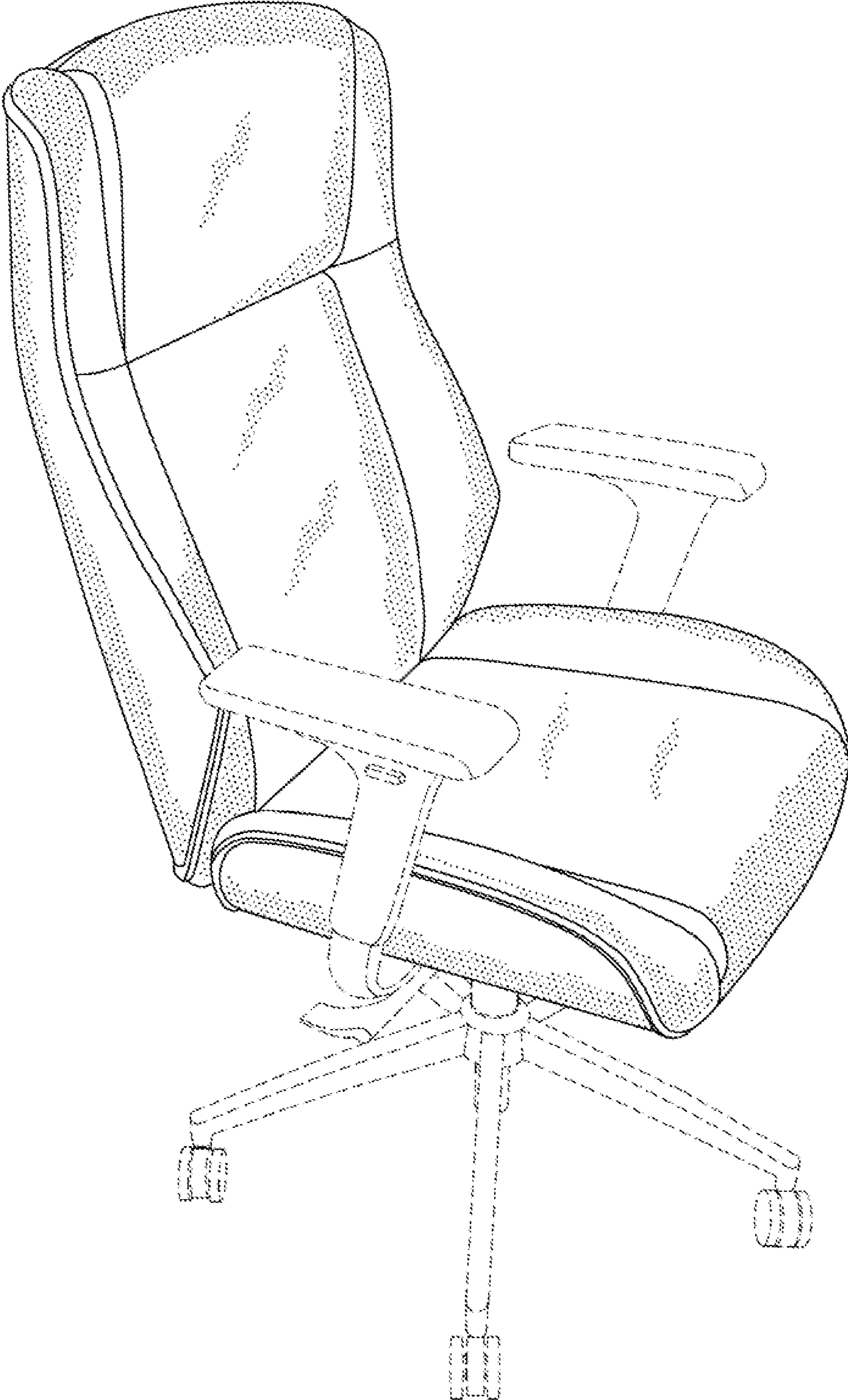


FIG. 1

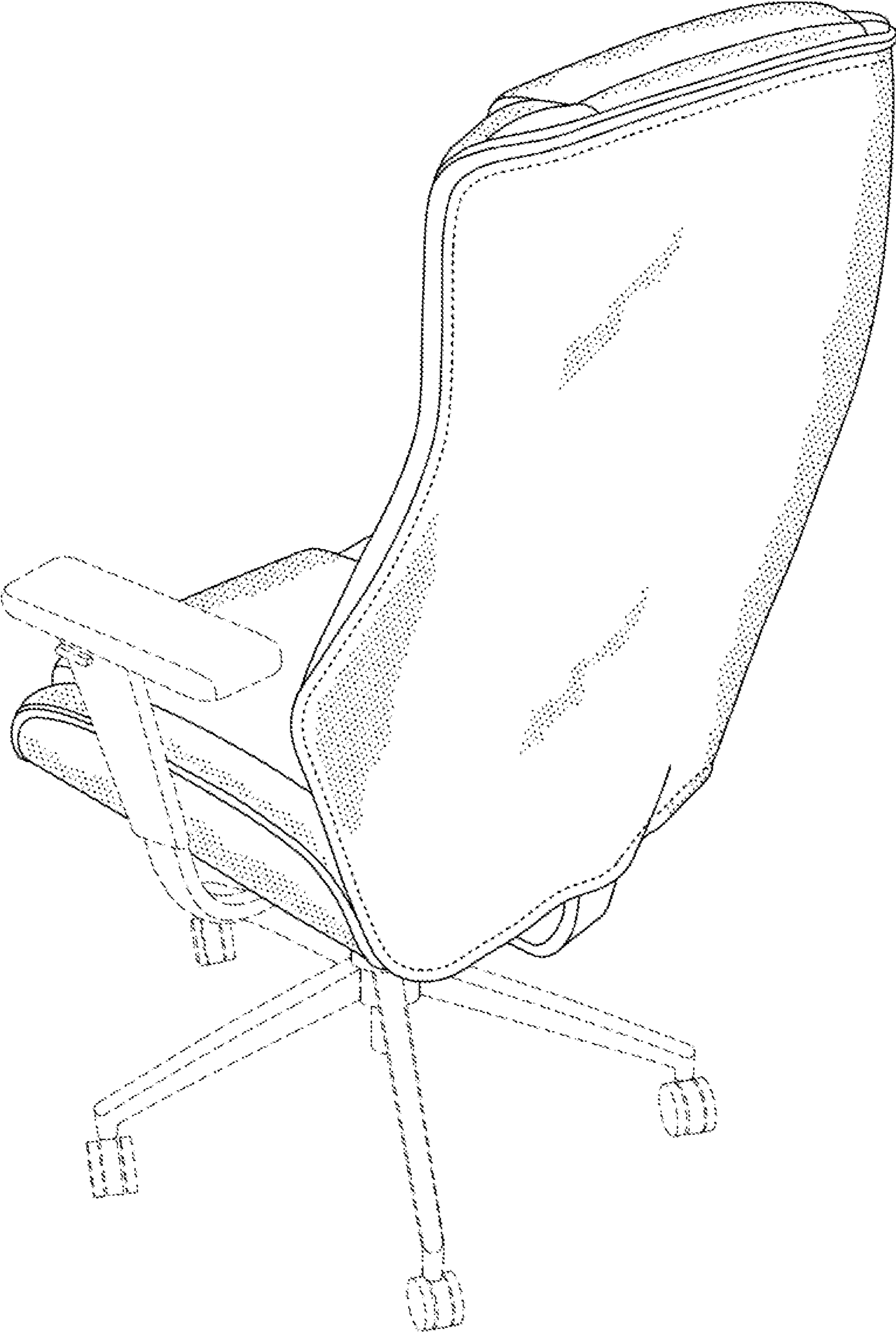


FIG. 2

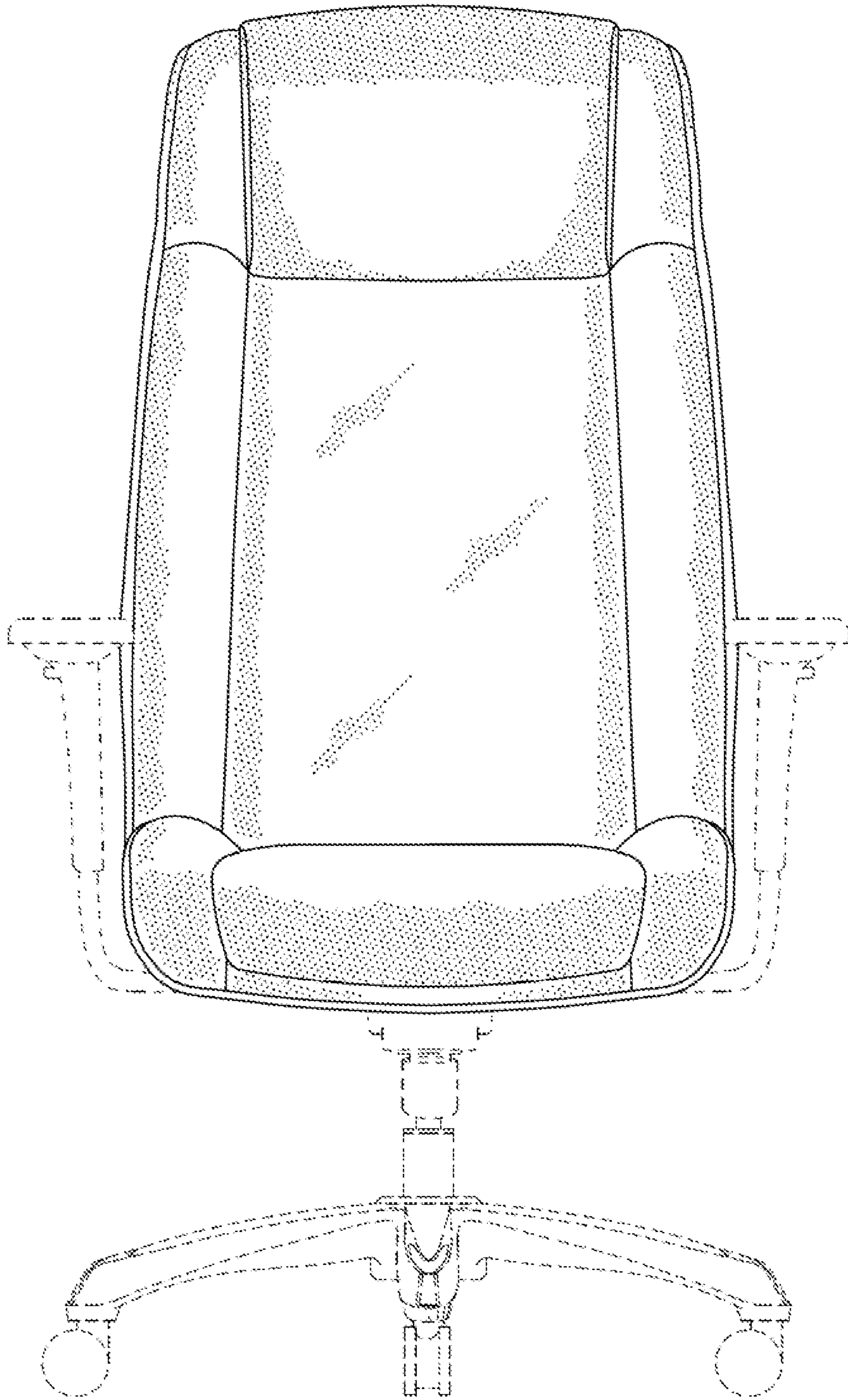


FIG. 3

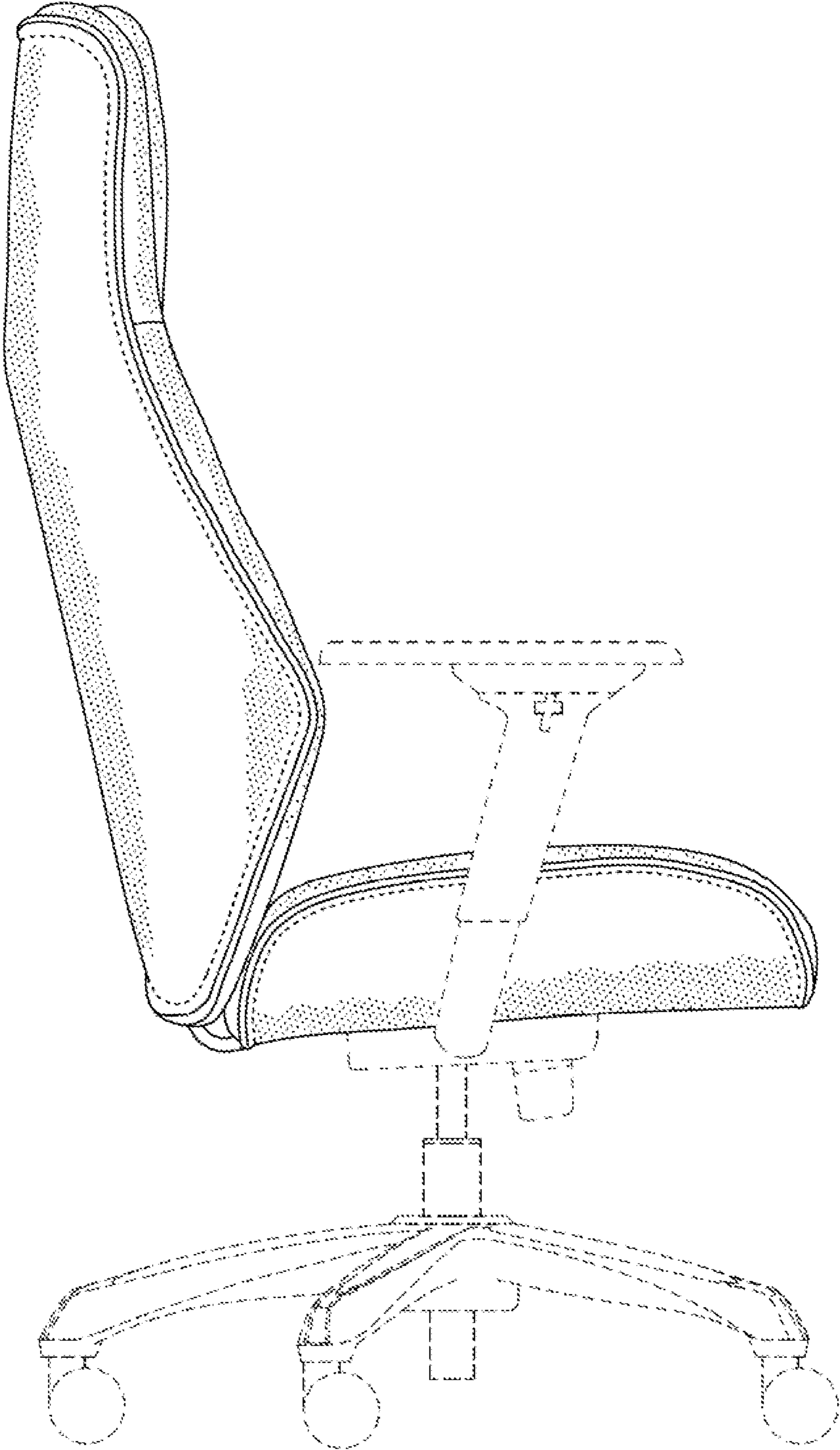


FIG. 4

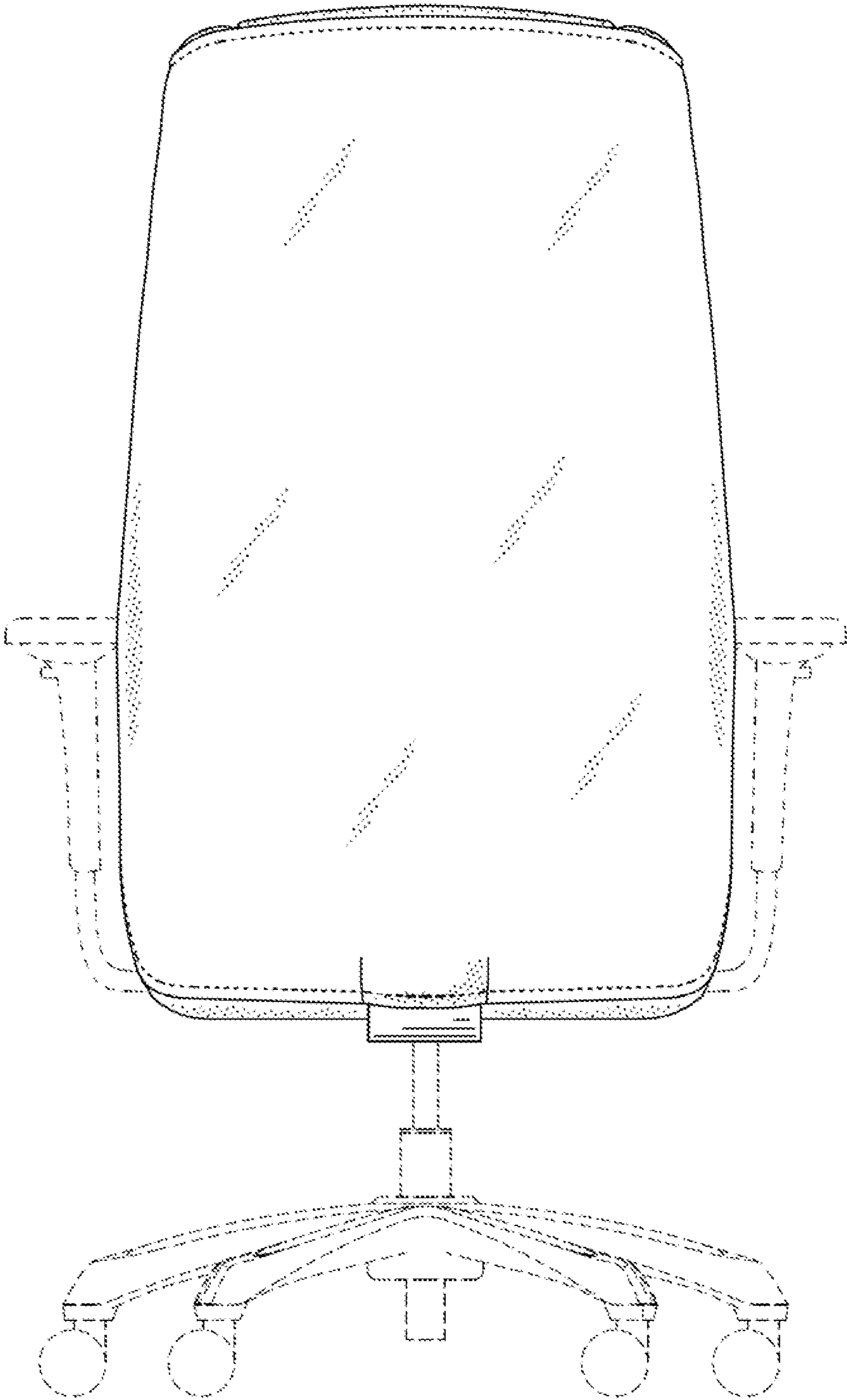


FIG. 5

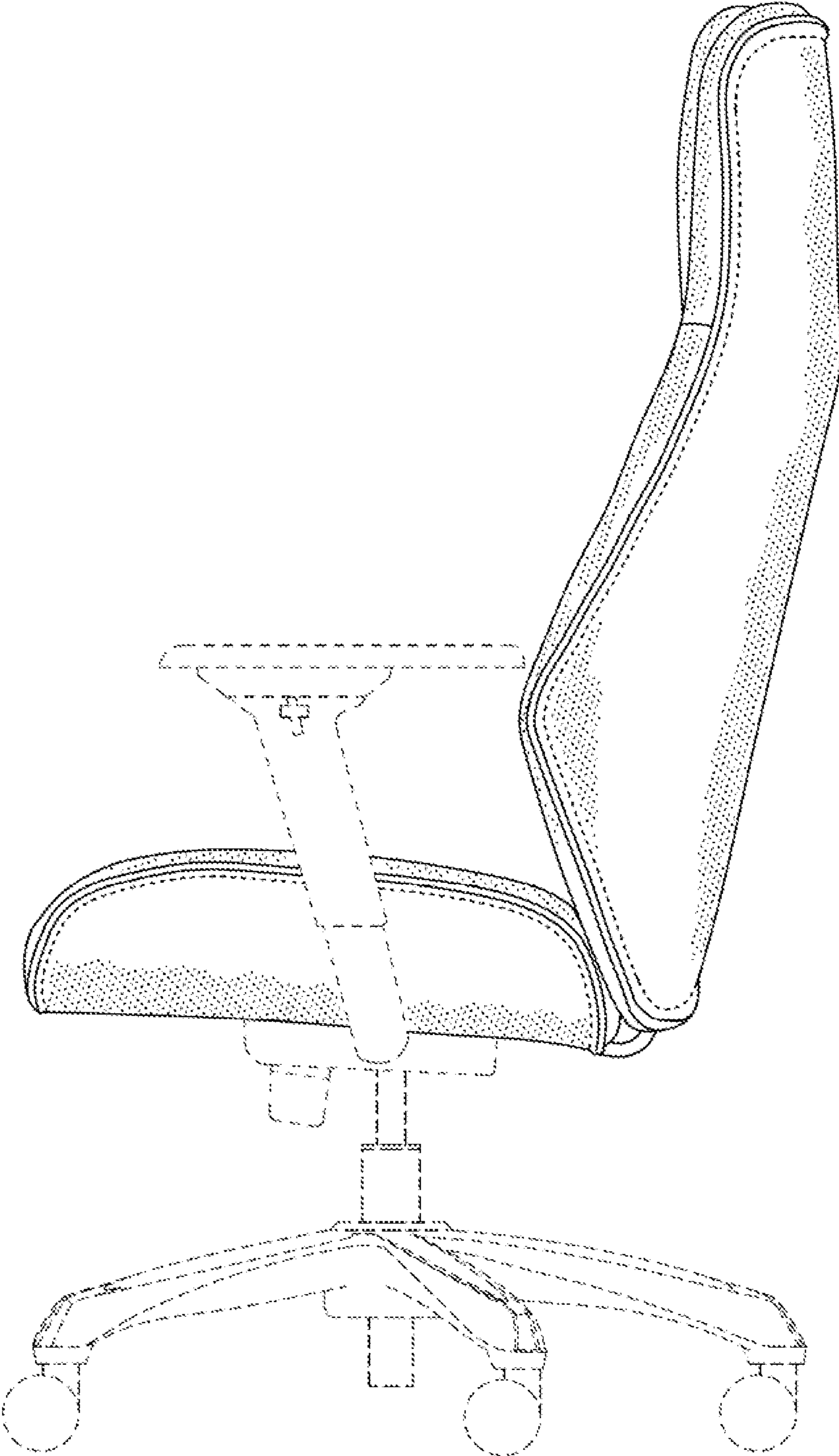


FIG. 6

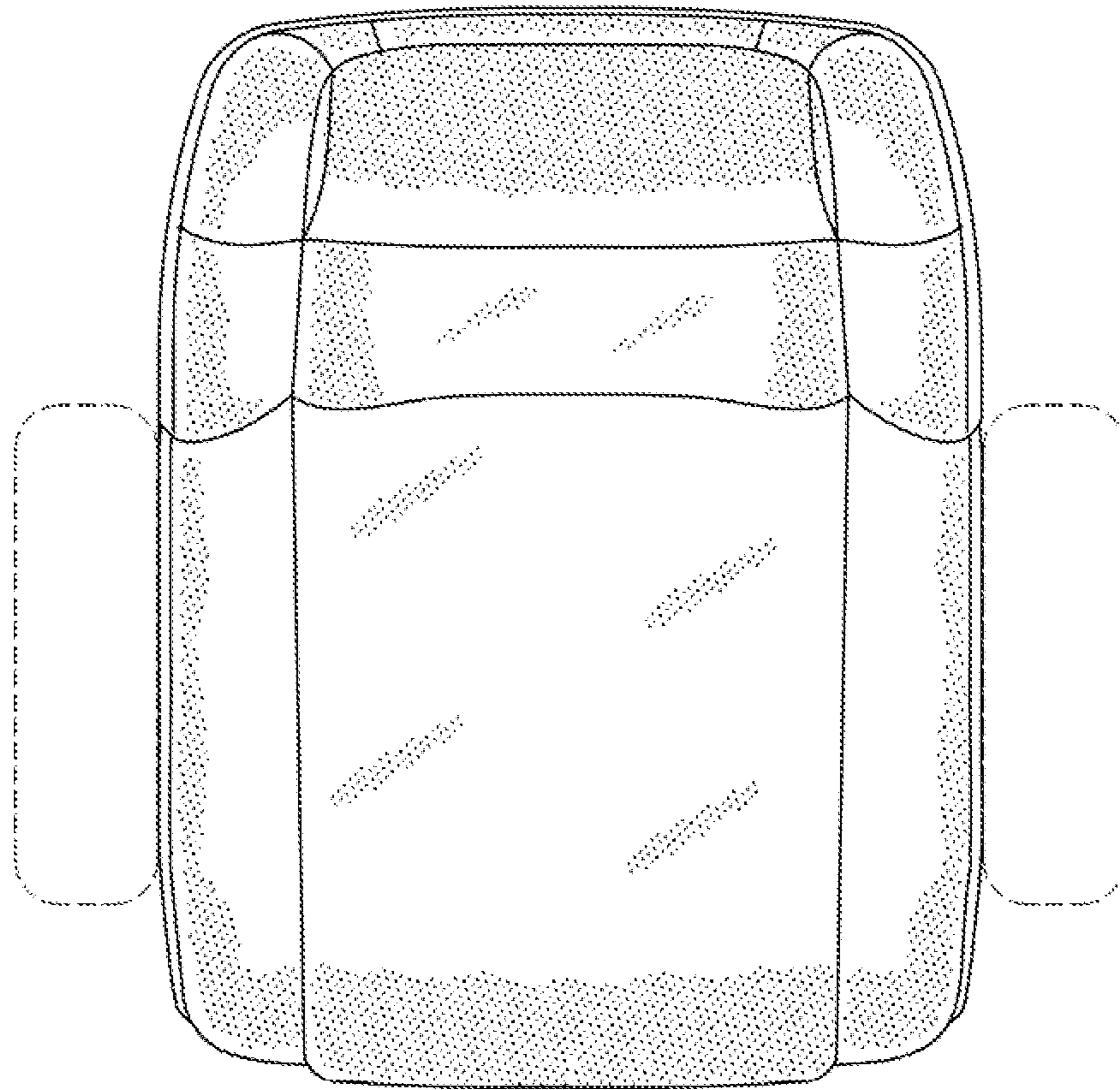


FIG. 7

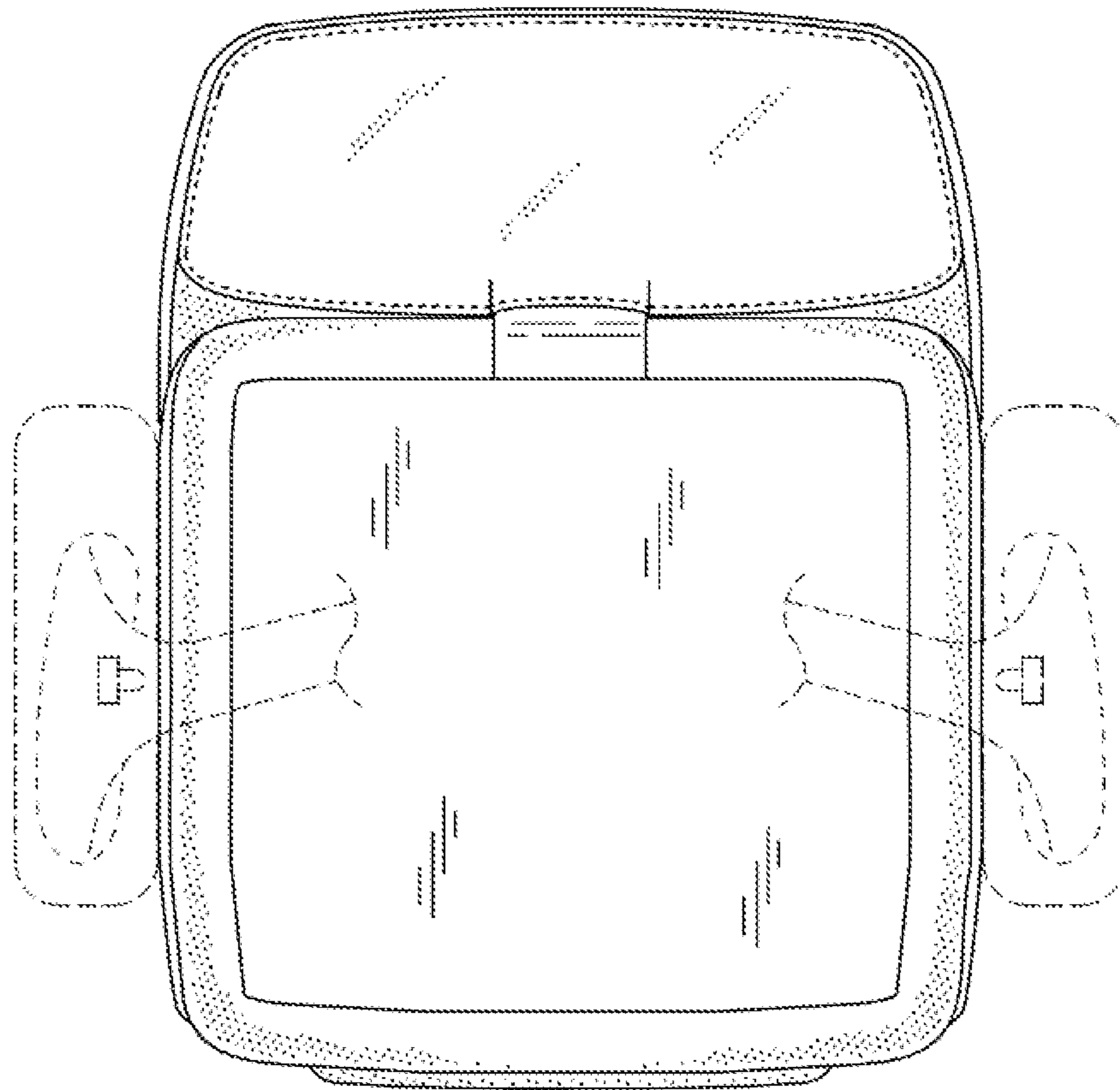


FIG. 8