



US00D970947S

(12) **United States Design Patent**
Bhakta

(10) **Patent No.:** **US D970,947 S**

(45) **Date of Patent:** **** Nov. 29, 2022**

(54) **BACK AND SEAT FOR A CHAIR**

(71) Applicant: **Jayesh Bhakta**, Corona, CA (US)

(72) Inventor: **Jayesh Bhakta**, Corona, CA (US)

(**) Term: **15 Years**

(21) Appl. No.: **29/774,974**

(22) Filed: **Mar. 19, 2021**

(51) **LOC (13) Cl.** **06-01**

(52) **U.S. Cl.**
USPC **D6/716**

(58) **Field of Classification Search**

USPC D6/349, 350, 356, 360, 362, 364, 365,
D6/366, 367, 371, 372, 374, 375, 376,
D6/379, 380, 716, 716.1
CPC A47C 1/02; A47C 1/022; A47C 1/024;
A47C 1/032; A47C 1/03255; A47C
1/034; A47C 1/035; A47C 1/04; A47C
1/06; A47C 3/18; A47C 3/20; A47C
3/025; A47C 3/026; A47C 7/18; A47C
7/24; A47C 7/36; A47C 7/46; A47C
9/007; A47C 9/02; A47C 5/04
See application file for complete search history.

(56) **References Cited**

U.S. PATENT DOCUMENTS

D467,442 S * 12/2002 Zaidman D6/366
D531,433 S * 11/2006 Johnson D6/366
D531,434 S * 11/2006 True D6/366
D532,225 S * 11/2006 Egger D6/366

D532,227 S * 11/2006 Smith D6/366
D770,820 S * 11/2016 Mezzera D6/366
D918,611 S * 5/2021 Wang D6/366
D935,252 S * 11/2021 Bhakta D6/716
D935,254 S * 11/2021 Palma D6/716

* cited by examiner

Primary Examiner — R. Johnson

(74) *Attorney, Agent, or Firm* — Morland C. Fischer

(57) **CLAIM**

The ornamental design for a back and seat for a chair, as shown and described.

DESCRIPTION

FIG. 1 is a perspective view showing the right side, top and front of a back and seat for a chair which forms my new design;

FIG. 2 is a perspective view showing the left side, top and rear thereof;

FIG. 3 is a front elevational view thereof;

FIG. 4 is a right side elevational view thereof;

FIG. 5 is a rear elevational view thereof;

FIG. 6 is a left side elevational view thereof;

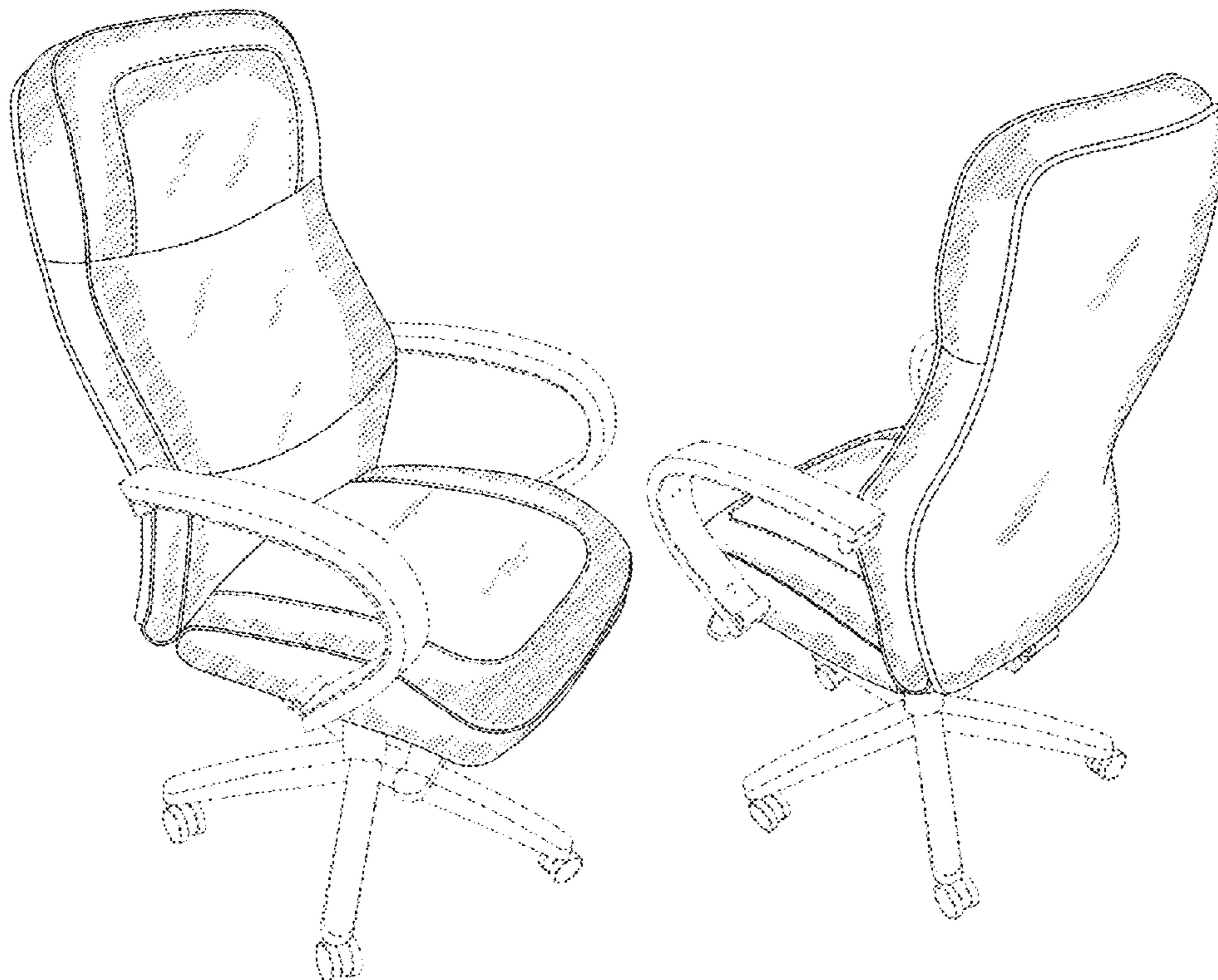
FIG. 7 is a top plan view thereof; and,

FIG. 8 is a bottom plan view thereof.

The short broken lines in the figures are understood to represent stitching.

The long broken lines represent environment that forms no part of the claimed design.

1 Claim, 7 Drawing Sheets



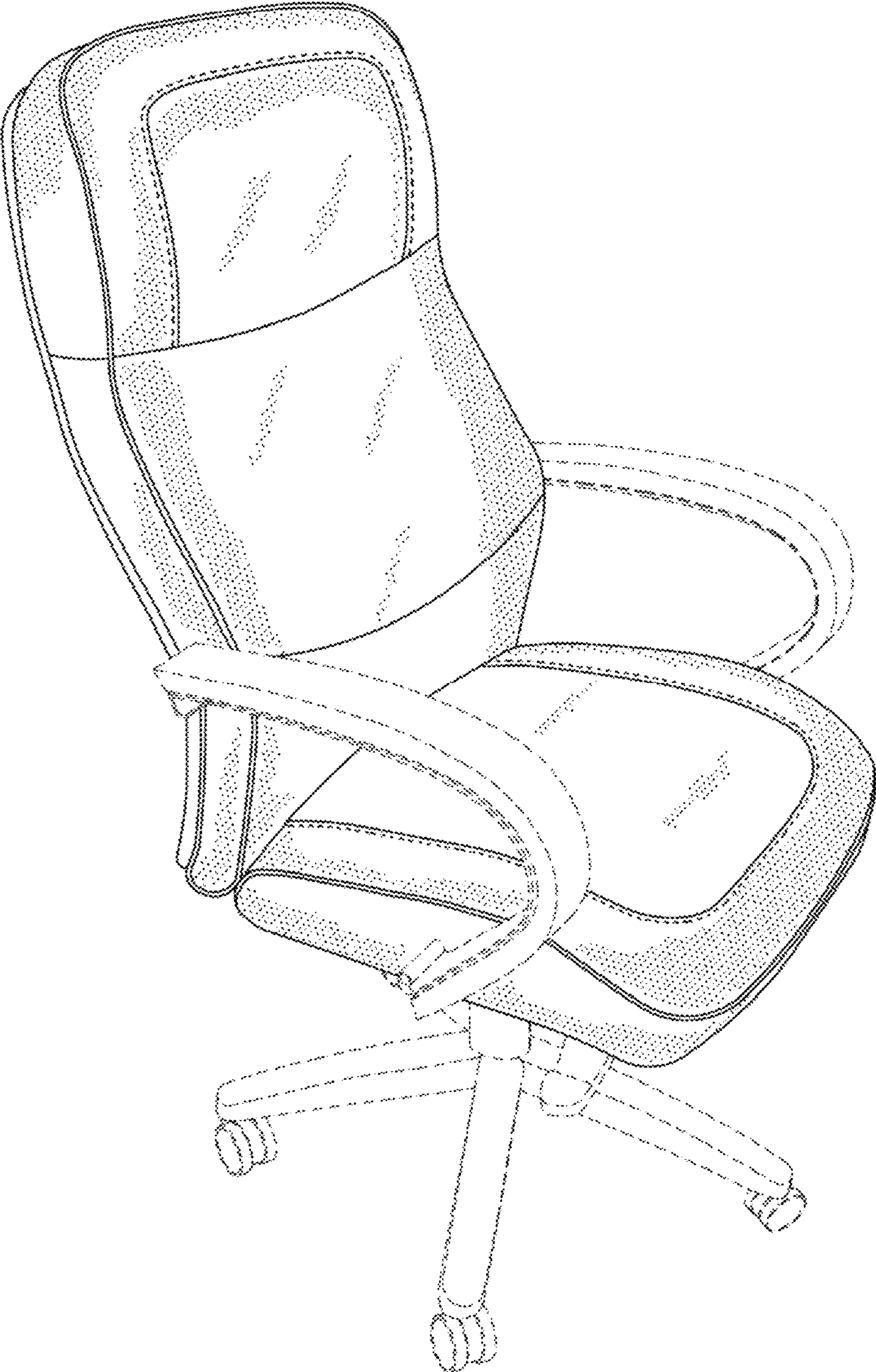


FIG. 1

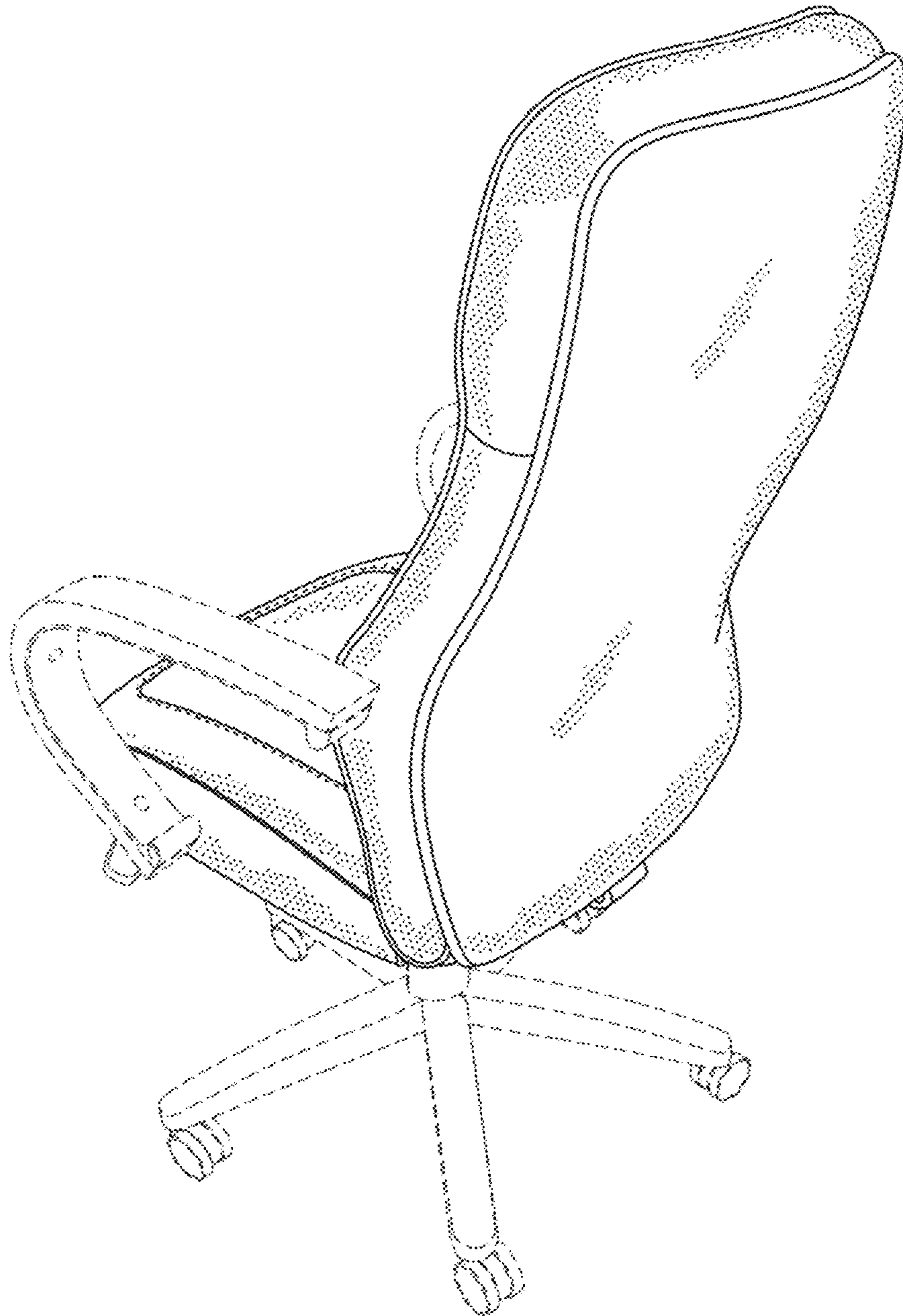


FIG. 2

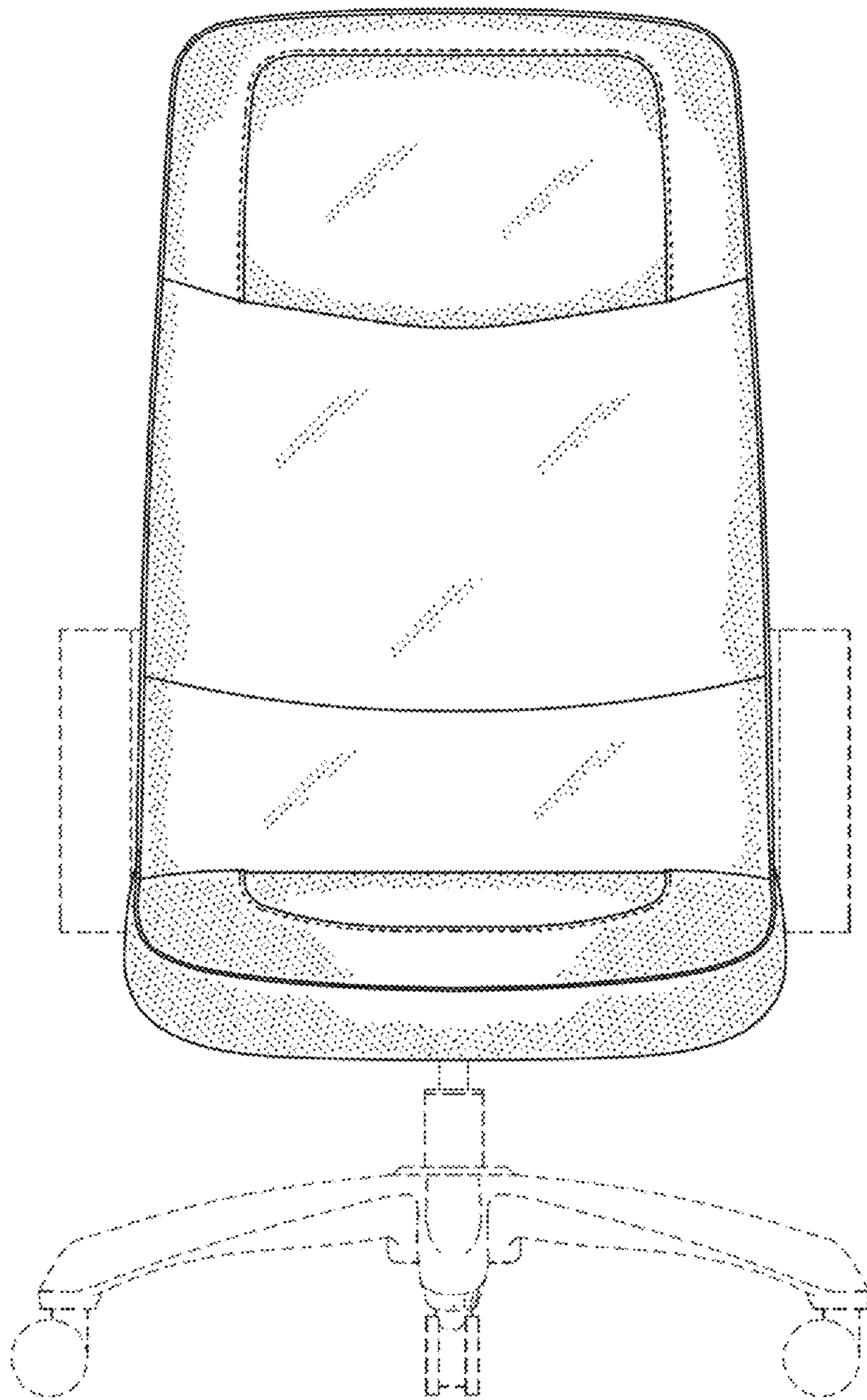


FIG. 3

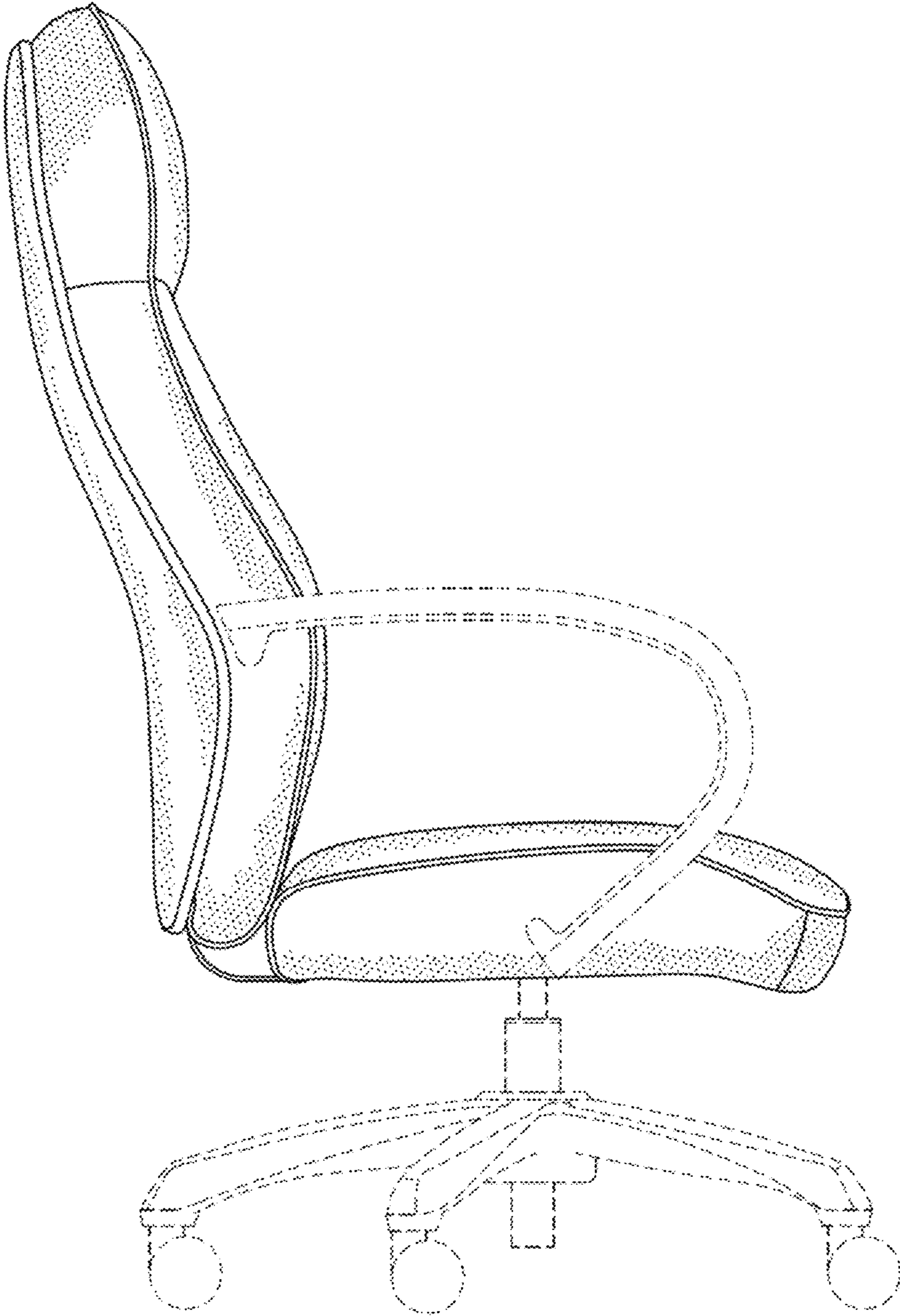


FIG. 4

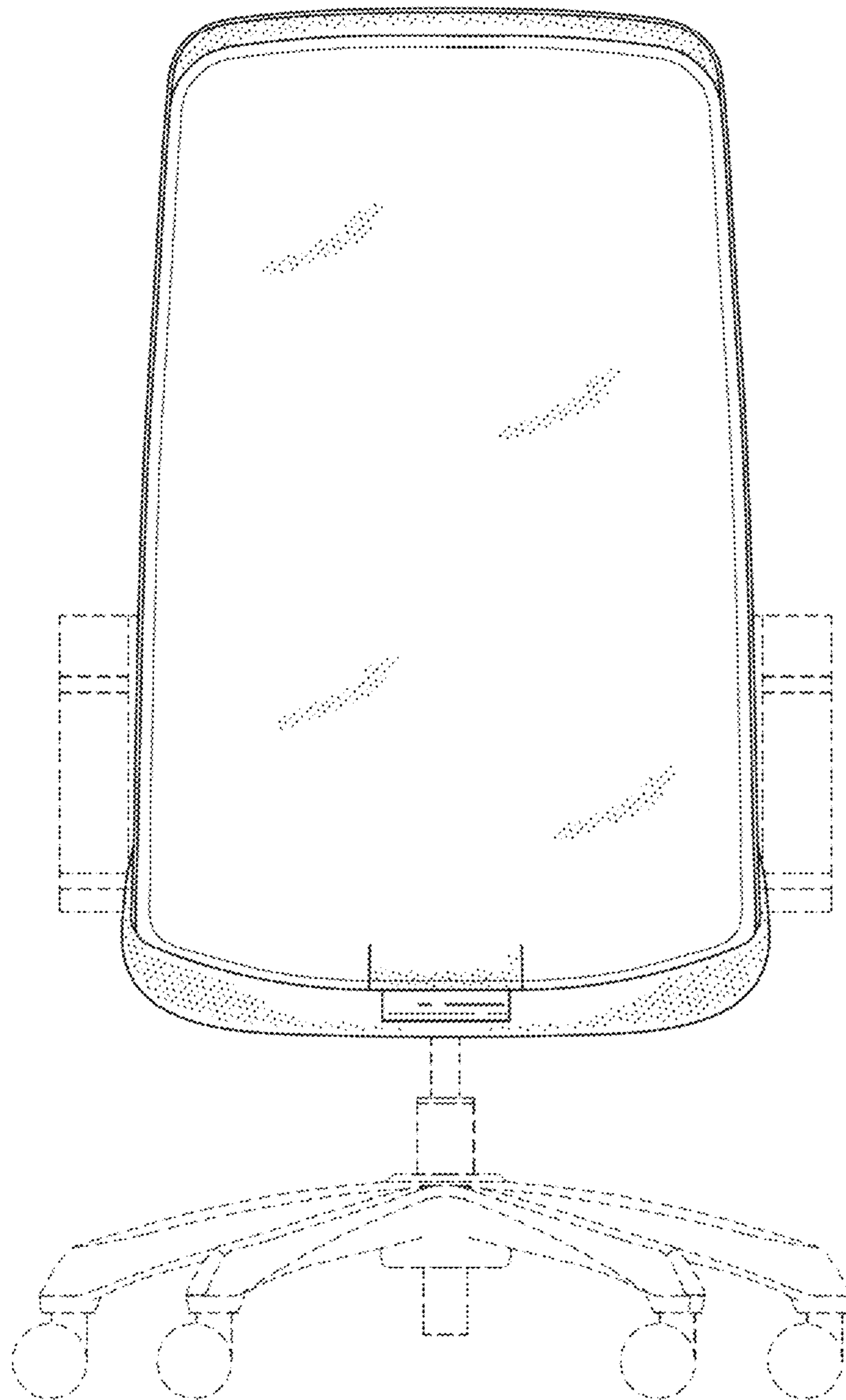


FIG. 5

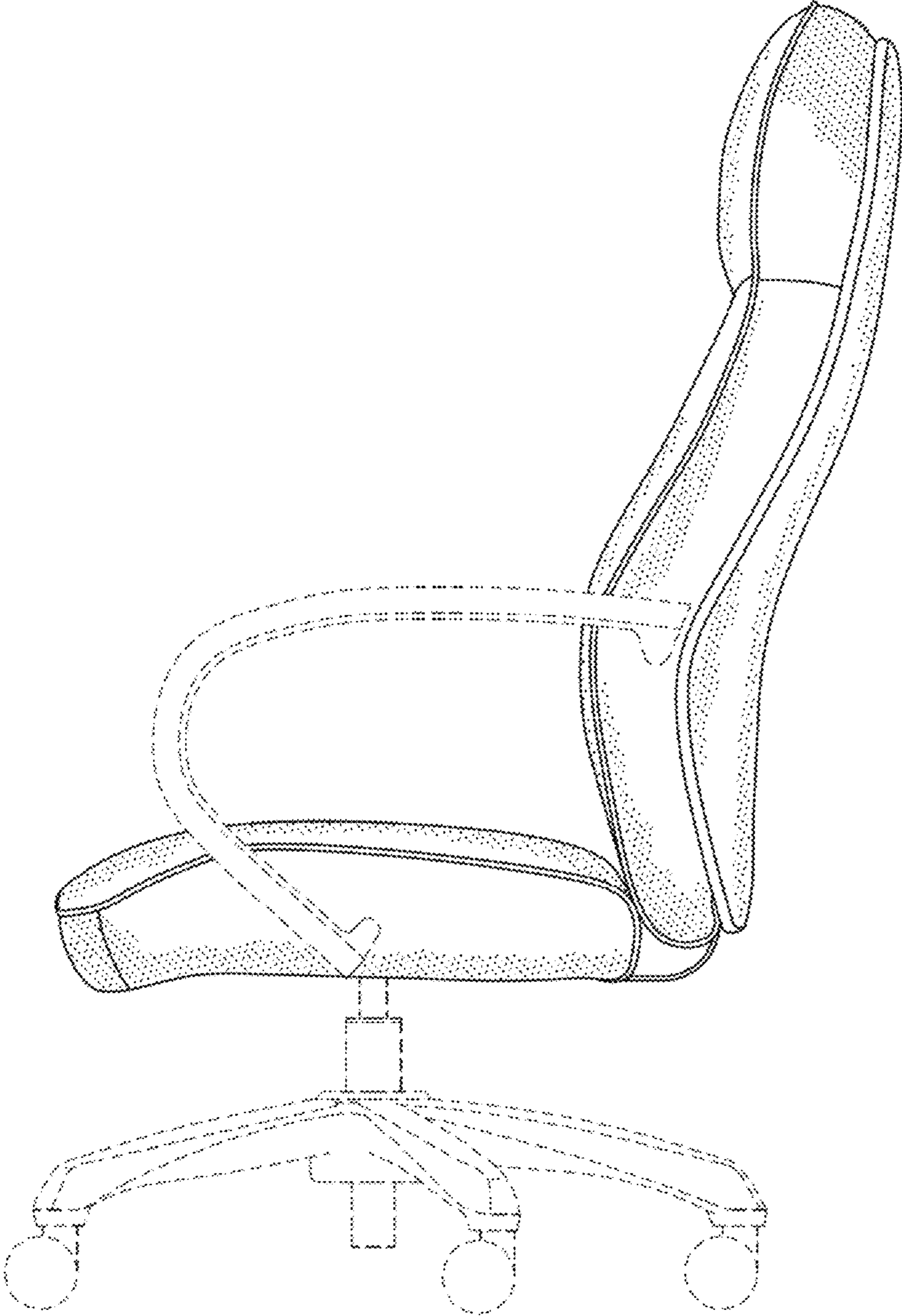


FIG. 6

FIG. 7

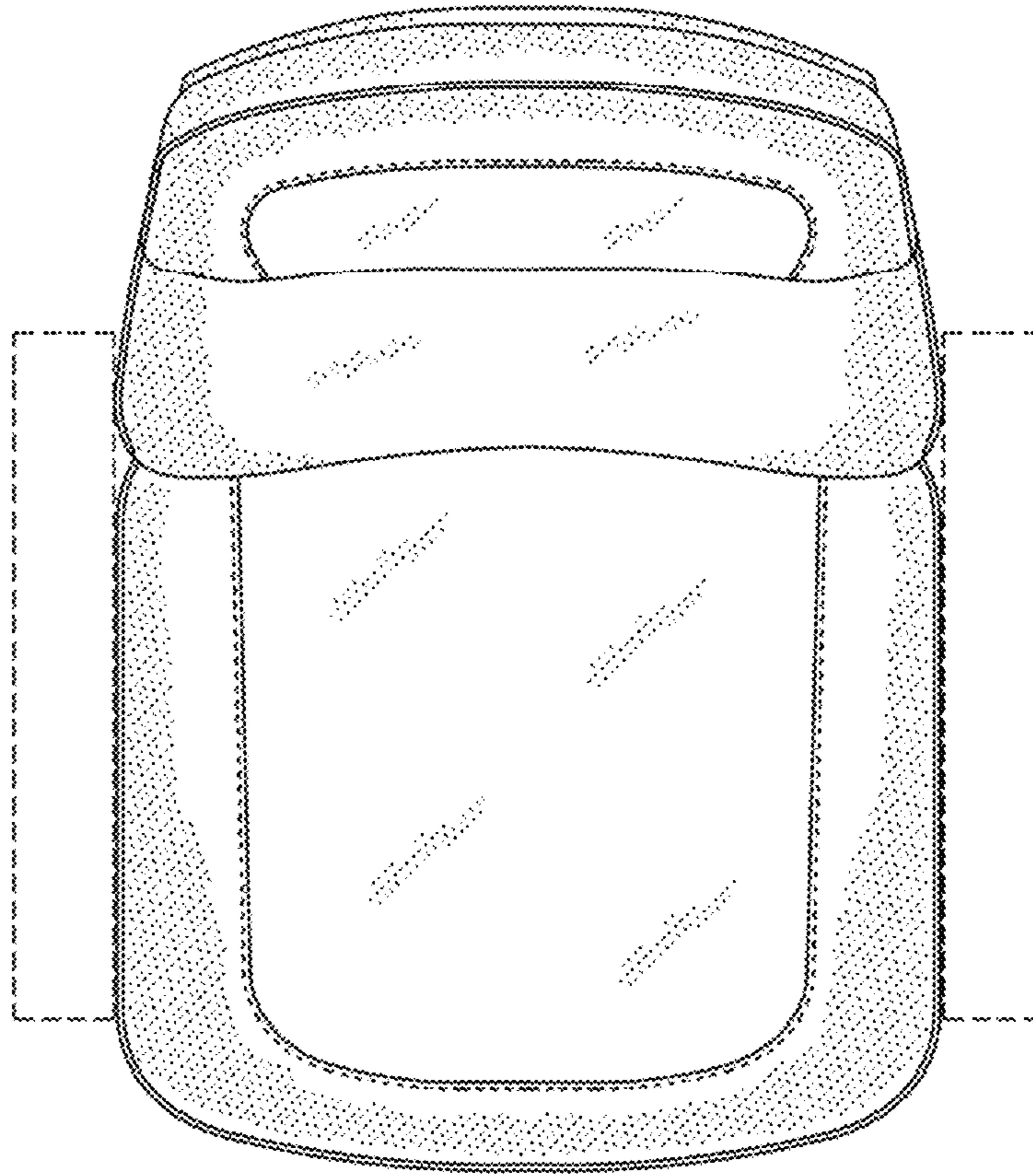


FIG. 8

