



US00D970946S

(12) **United States Design Patent**
Lv

(10) **Patent No.:** **US D970,946 S**

(45) **Date of Patent:** **** Nov. 29, 2022**

(54) **CHAIR**

(71) Applicant: **Baojia Lv**, Bazhou (CN)

(72) Inventor: **Baojia Lv**, Bazhou (CN)

(**) Term: **15 Years**

(21) Appl. No.: **29/735,776**

(22) Filed: **May 24, 2020**

(51) **LOC (13) Cl.** **06-01**

(52) **U.S. Cl.**
USPC **D6/716; D6/375**

(58) **Field of Classification Search**
USPC D6/334-336, 360, 366, 369, 371, 372,
D6/373, 374, 375, 380, 716, 716.1, 716.2,
D6/716.3, 716.4
CPC A47C 3/04; A47C 3/12; A47C 4/02; A47C
4/028; A47C 4/03; A47C 5/12; A47C
7/16

See application file for complete search history.

(56) **References Cited**

U.S. PATENT DOCUMENTS

- 2,812,800 A * 11/1957 Eames A47C 3/12
297/239
- D182,790 S * 5/1958 Cohen D6/375
- 3,261,640 A * 7/1966 Straits A47C 3/12
297/440.14
- D748,927 S * 2/2016 Feichtner D6/375
- D844,357 S * 4/2019 Buffon D6/716

- D858,128 S * 9/2019 Li D6/360
- D859,021 S * 9/2019 Novak D6/369
- D877,525 S * 3/2020 Novak D6/375
- D917,910 S * 5/2021 Li D6/375
- D920,703 S * 6/2021 Li D6/375
- D936,991 S * 11/2021 Li D6/375
- D936,992 S * 11/2021 Li D6/375
- D942,769 S * 2/2022 Li D6/375

OTHER PUBLICATIONS

Beatty Side Chair (Set of 2), allmodern.com, Retrieved Date: Oct. 5, 2022, p. 50, from <https://www.allmodern.com/furniture/pdp/beatty-side-chair-a000096311.html?piid=1129647061> (Year: 2022).*

* cited by examiner

Primary Examiner — Mimosa De
(74) *Attorney, Agent, or Firm* — Bay State IP, LLC

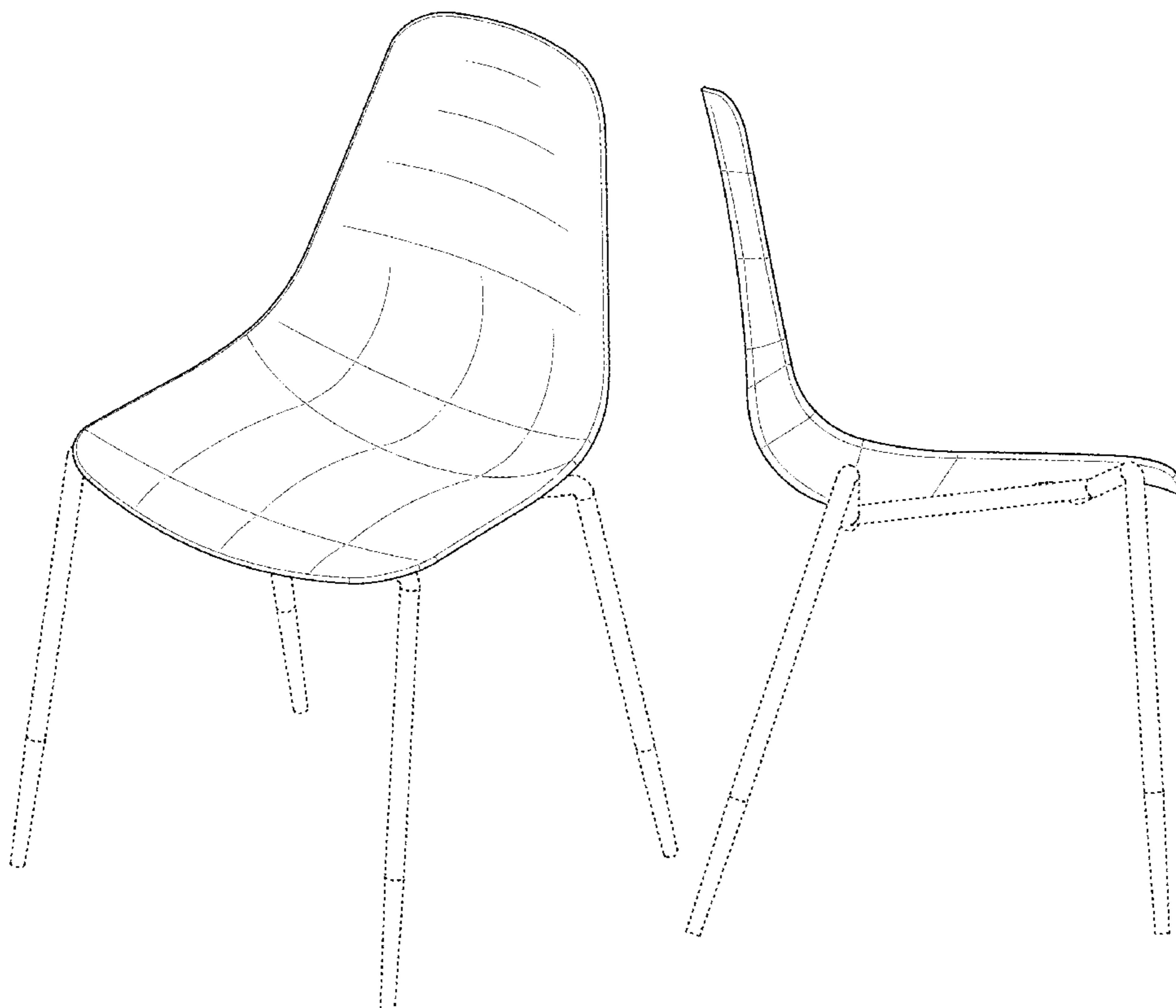
(57) **CLAIM**

The ornamental design for a chair, as shown and described.

DESCRIPTION

FIG. 1 is a perspective view showing my new design;
FIG. 2 is a front view thereof;
FIG. 3 is a back view thereof;
FIG. 4 is a left side view thereof;
FIG. 5 is a right side view thereof;
FIG. 6 is a top view thereof; and,
FIG. 7 is a bottom view thereof.

1 Claim, 7 Drawing Sheets



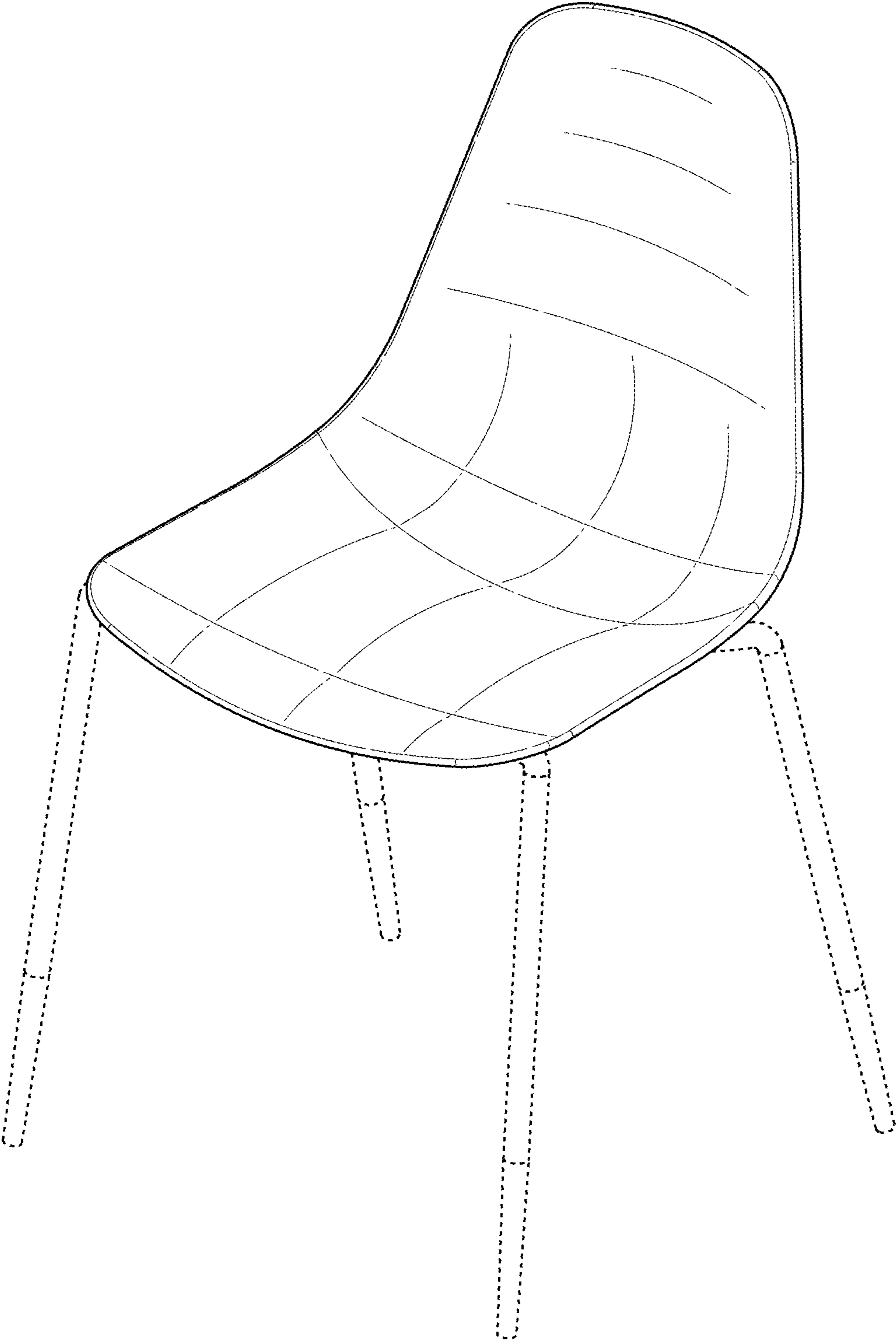


FIG.1

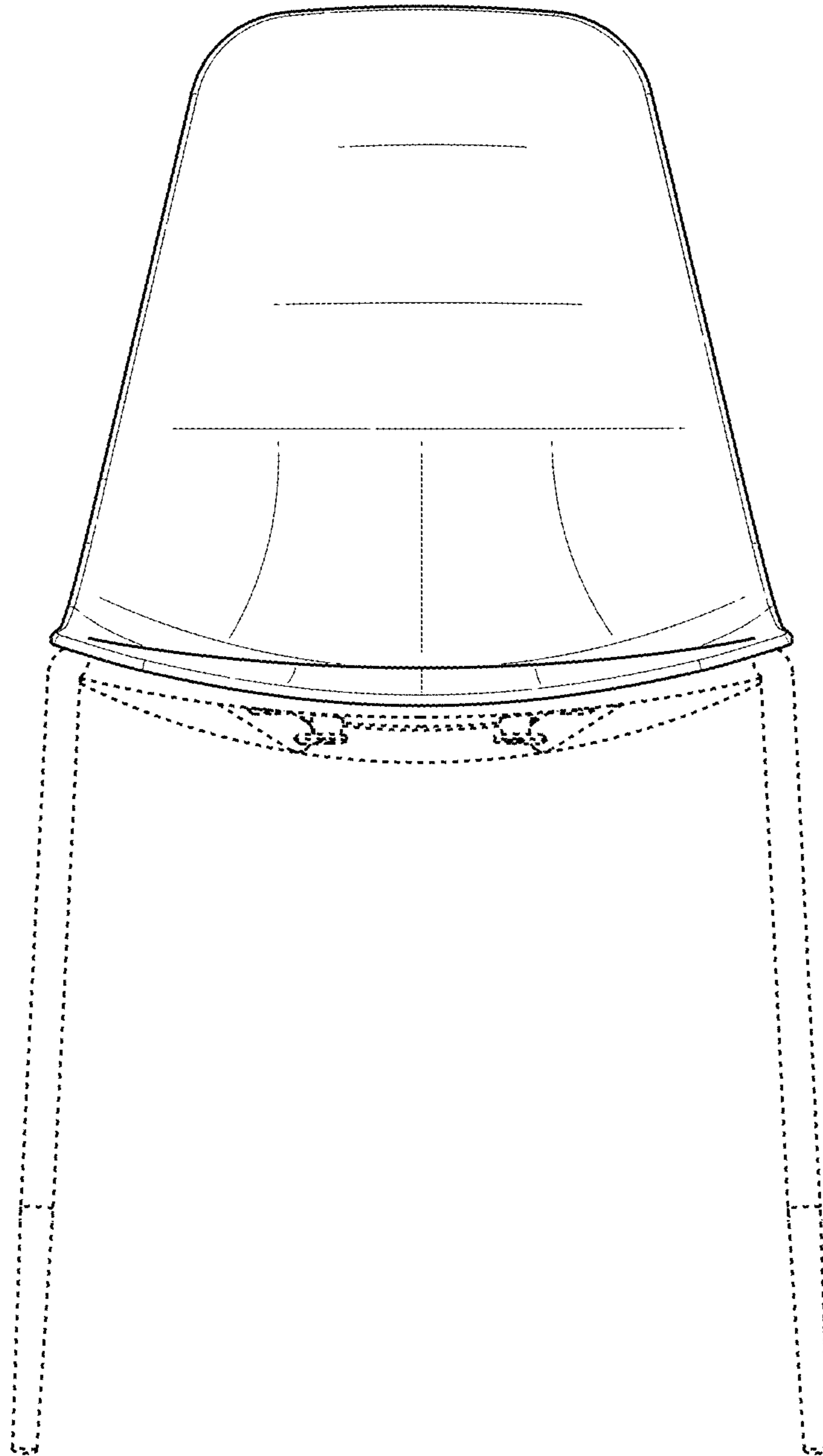


FIG.2

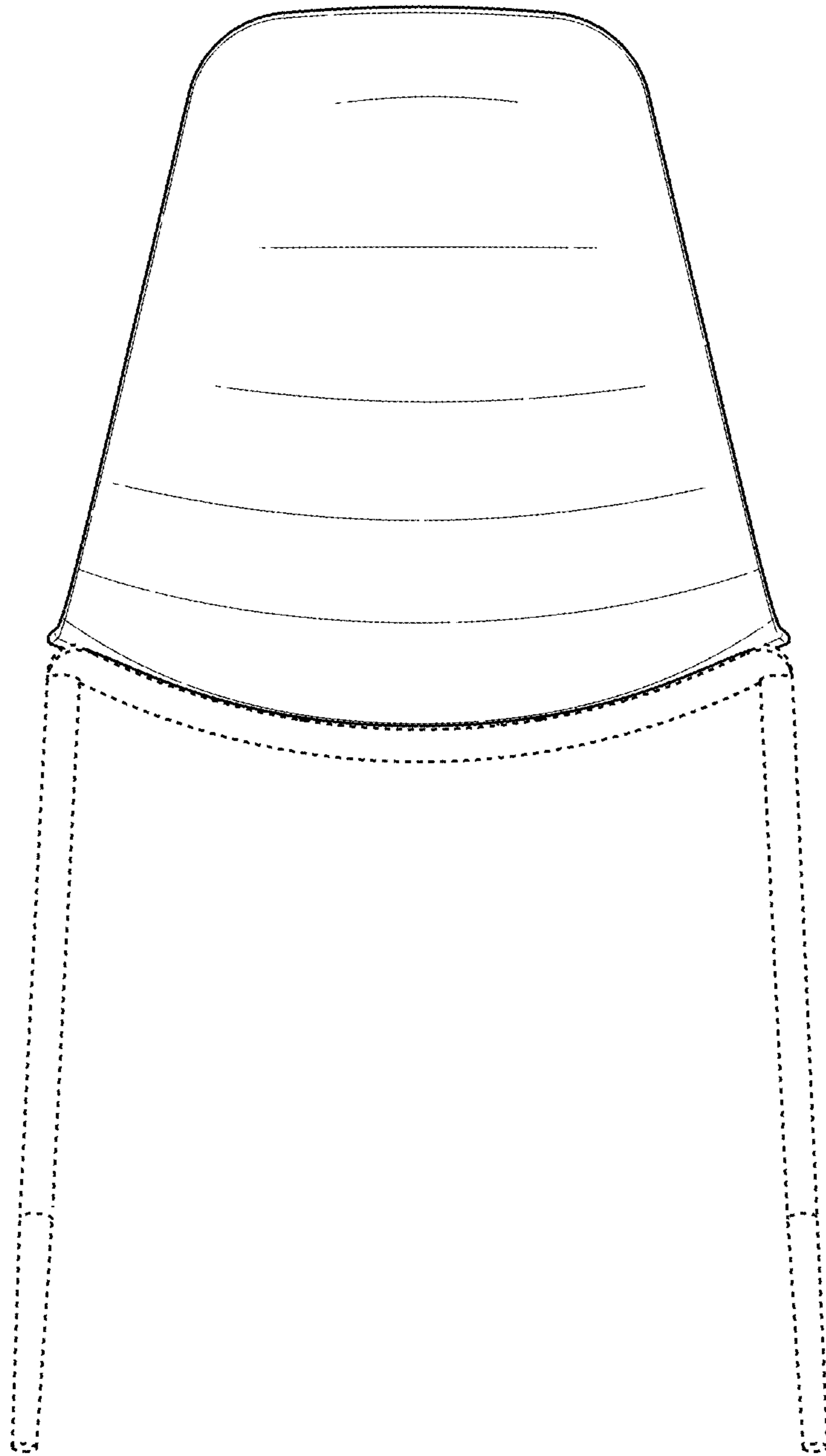


FIG.3

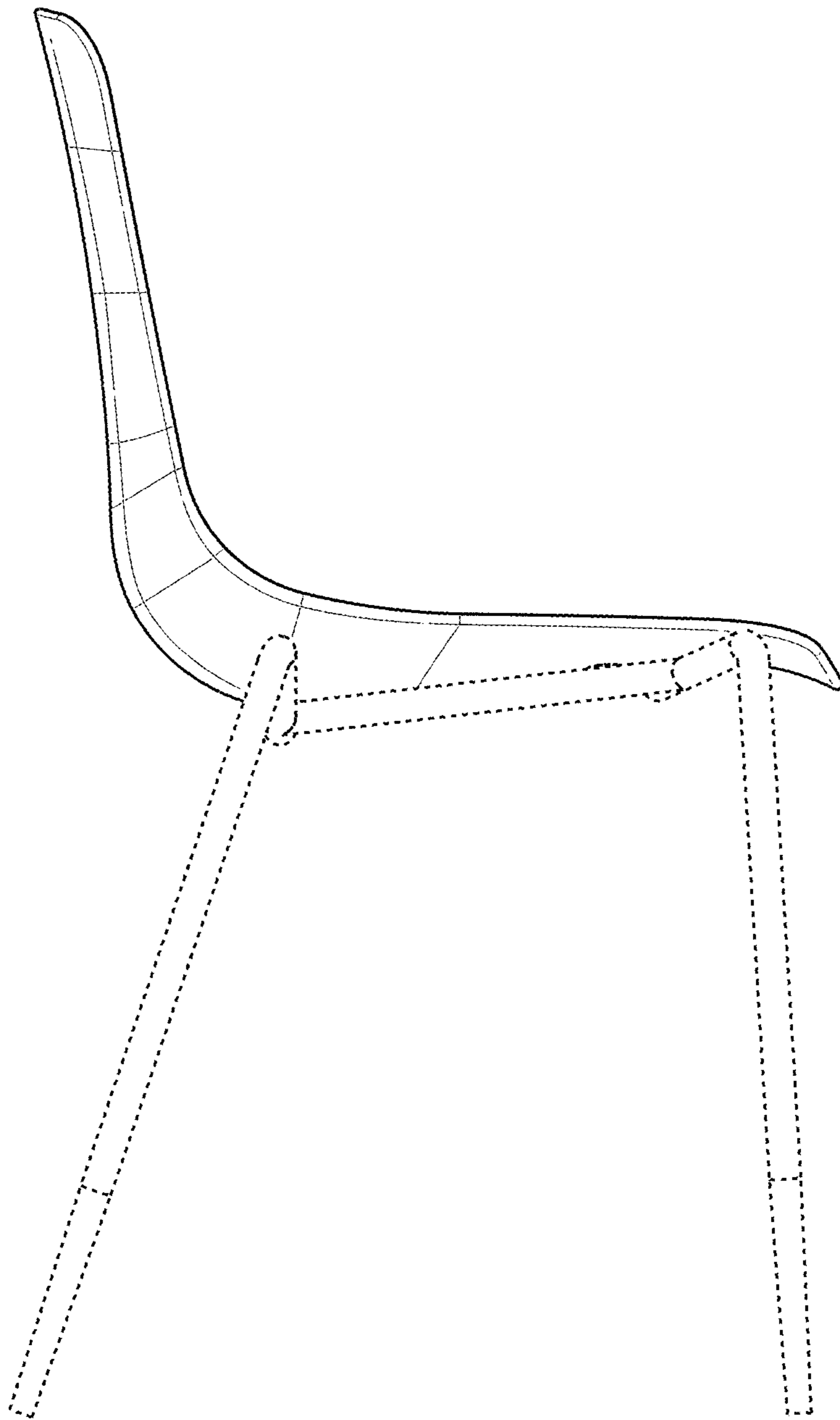


FIG. 4

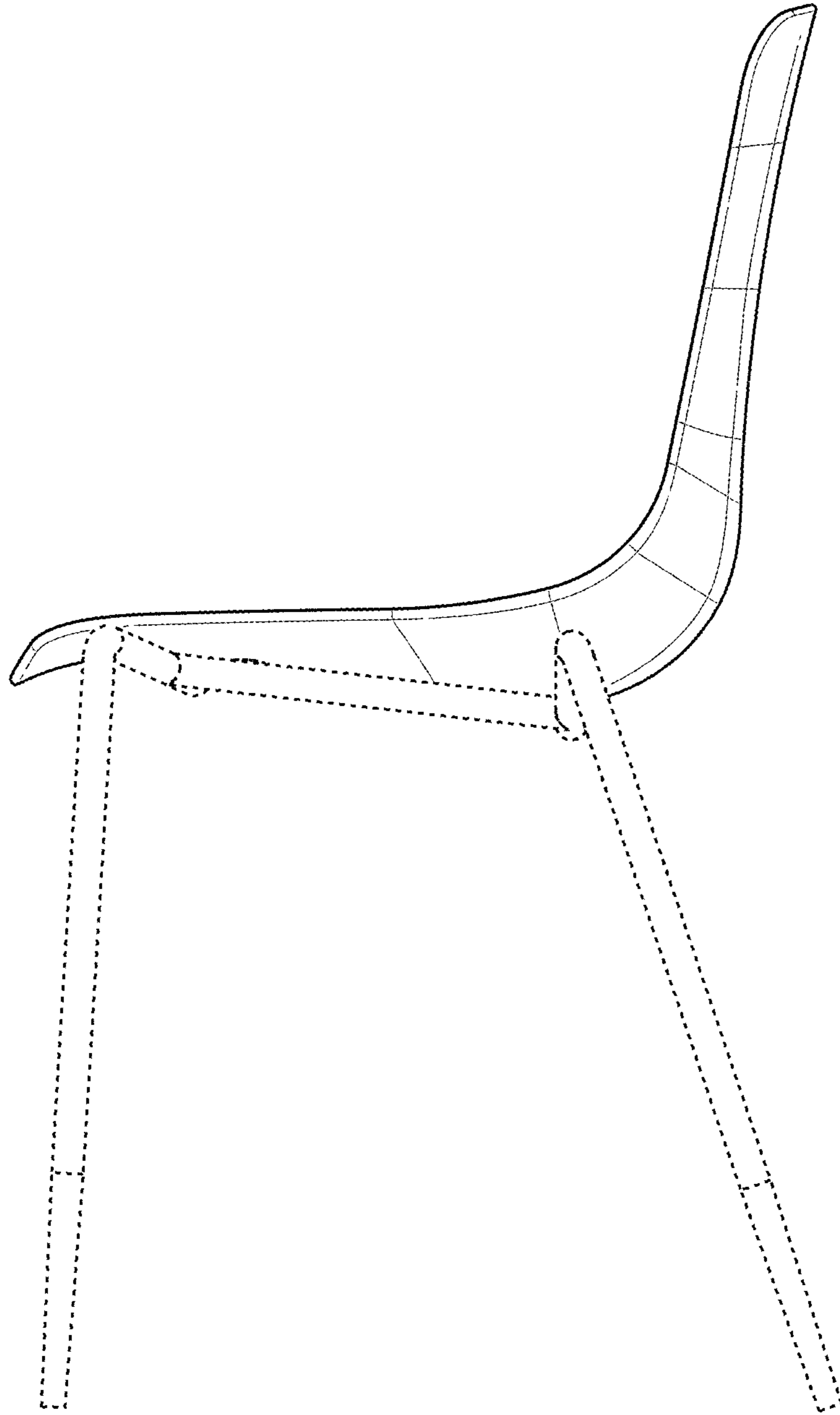


FIG. 5

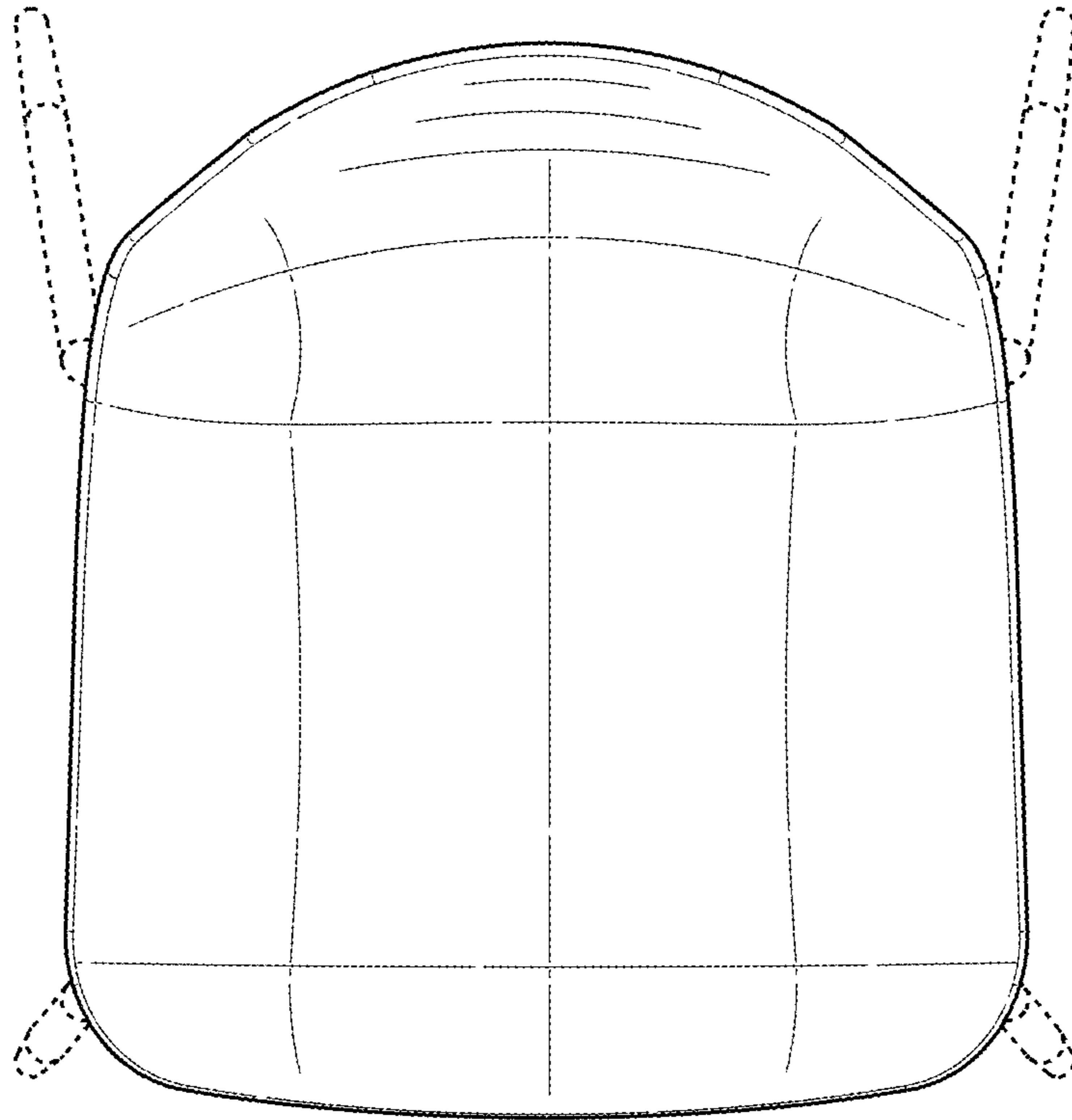


FIG.6

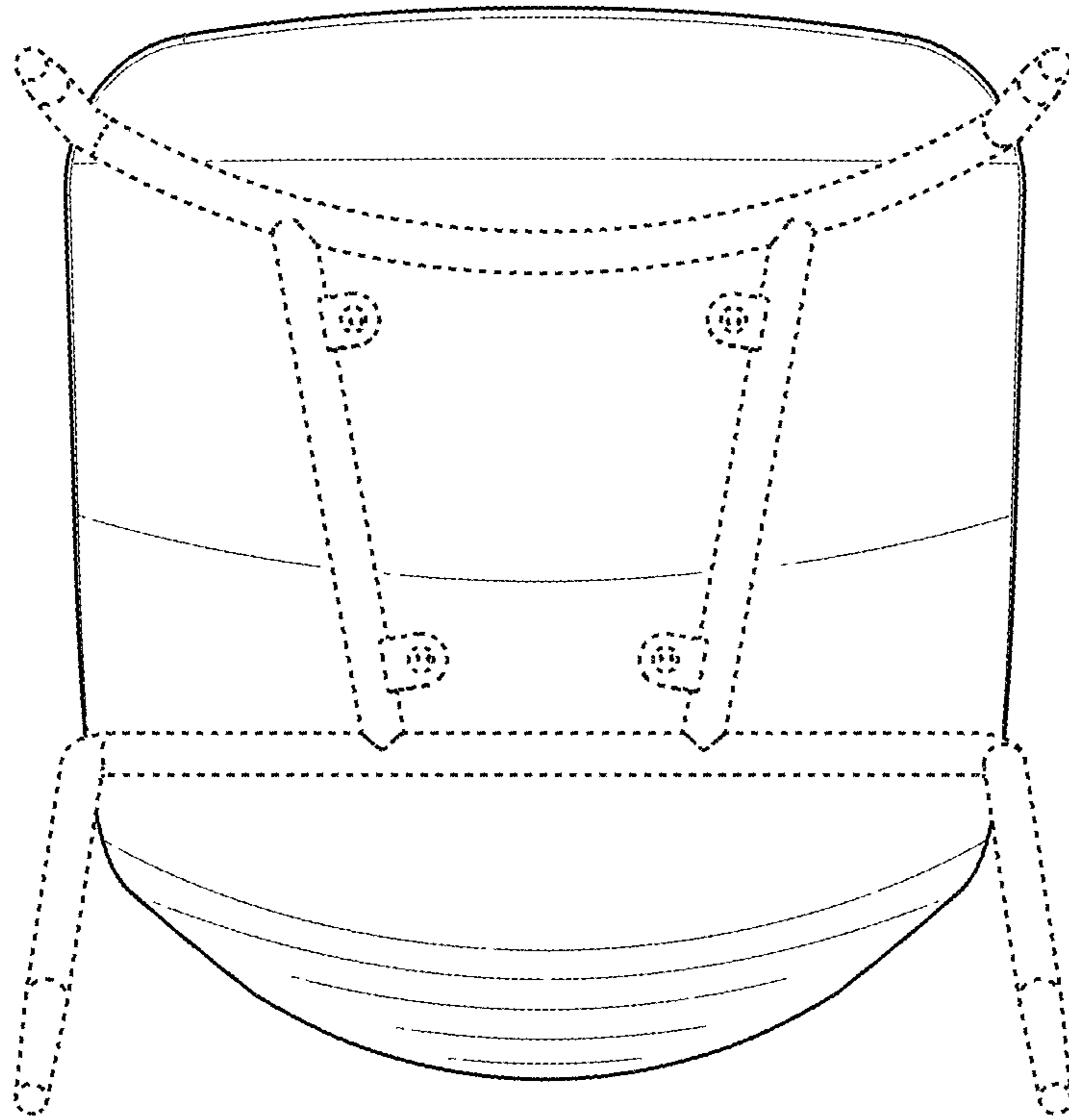


FIG.7