



US00D970945S

(12) **United States Design Patent** (10) **Patent No.:** **US D970,945 S**
Störiko (45) **Date of Patent:** **** Nov. 29, 2022**

(54) **FURNITURE BASE**

(71) Applicant: **Störiko Product Design GmbH**,
Hamburg (DE)

(72) Inventor: **Andreas Störiko**, Hamburg (DE)

(73) Assignee: **Störiko Product Design GmbH**

(**) Term: **15 Years**

(21) Appl. No.: **29/732,649**

(22) Filed: **Apr. 27, 2020**

(30) **Foreign Application Priority Data**

Oct. 29, 2019 (EM) 007136684

(51) **LOC (13) Cl.** **06-06**

(52) **U.S. Cl.**
USPC **D6/708.23**

(58) **Field of Classification Search**
USPC D6/334–336, 364, 365, 366, 367, 708.23,
D6/708.24

CPC A47C 7/002; A47C 7/004; A47C 7/006;
A47C 7/18; A47C 7/24; A47C 7/48;
A47C 3/20; A47C 3/24

See application file for complete search history.

(56) **References Cited**

U.S. PATENT DOCUMENTS

D859,045 S * 9/2019 Dorigo D6/708.23
D907,384 S * 1/2021 Li D6/366
D920,698 S * 6/2021 Li D6/366

OTHER PUBLICATIONS

China manufacturers sale metal chair parts components aluminum alloy adjustable office chair legs, from globalsources.com, Retrieved Date: Aug. 11, 2022, pp. 1 and 2, from <https://www.globalsources.com/furniture-legs/chair-base-1181778530p.htm> (Year: 2022).*

* cited by examiner

Primary Examiner — Mimosa De

(74) *Attorney, Agent, or Firm* — Lucian Wayne Beavers;
Patterson Intellectual Property Law, PC

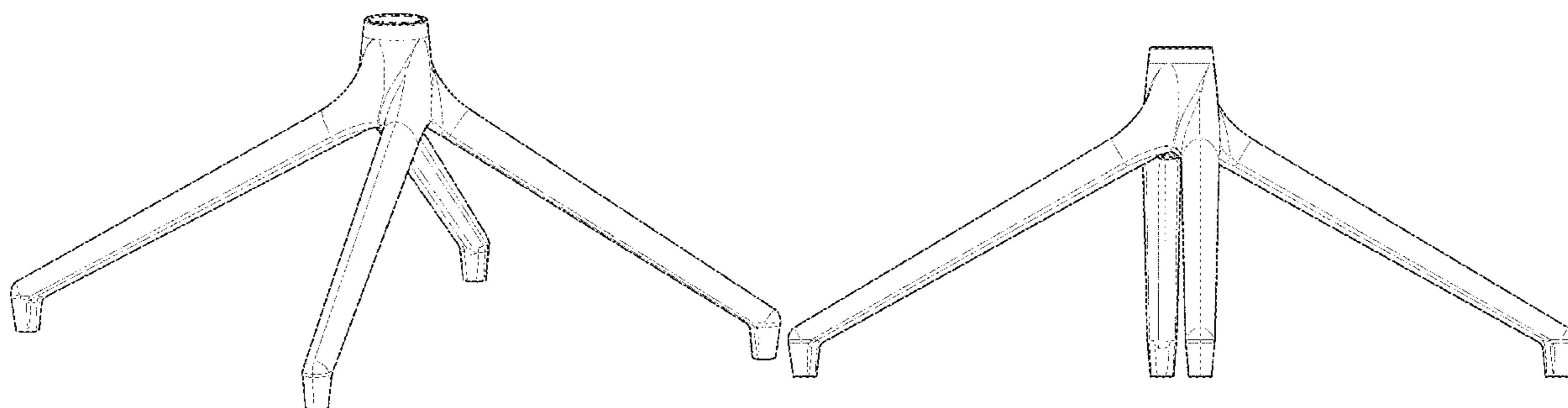
(57) **CLAIM**

What is claimed is the ornamental design for a furniture base, as shown and described.

DESCRIPTION

FIG. 1 is a perspective view of the furniture base.
FIG. 2 is a front elevation view of the furniture base of FIG. 1, the side elevations and rear elevation being identical.
FIG. 3 is a top view of the furniture base of FIG. 1; and,
FIG. 4 is a bottom view of the furniture base of FIG. 1.
The areas within the dashed circles in FIGS. 1, 3 and 4 do not comprise a part of the invention.

1 Claim, 4 Drawing Sheets



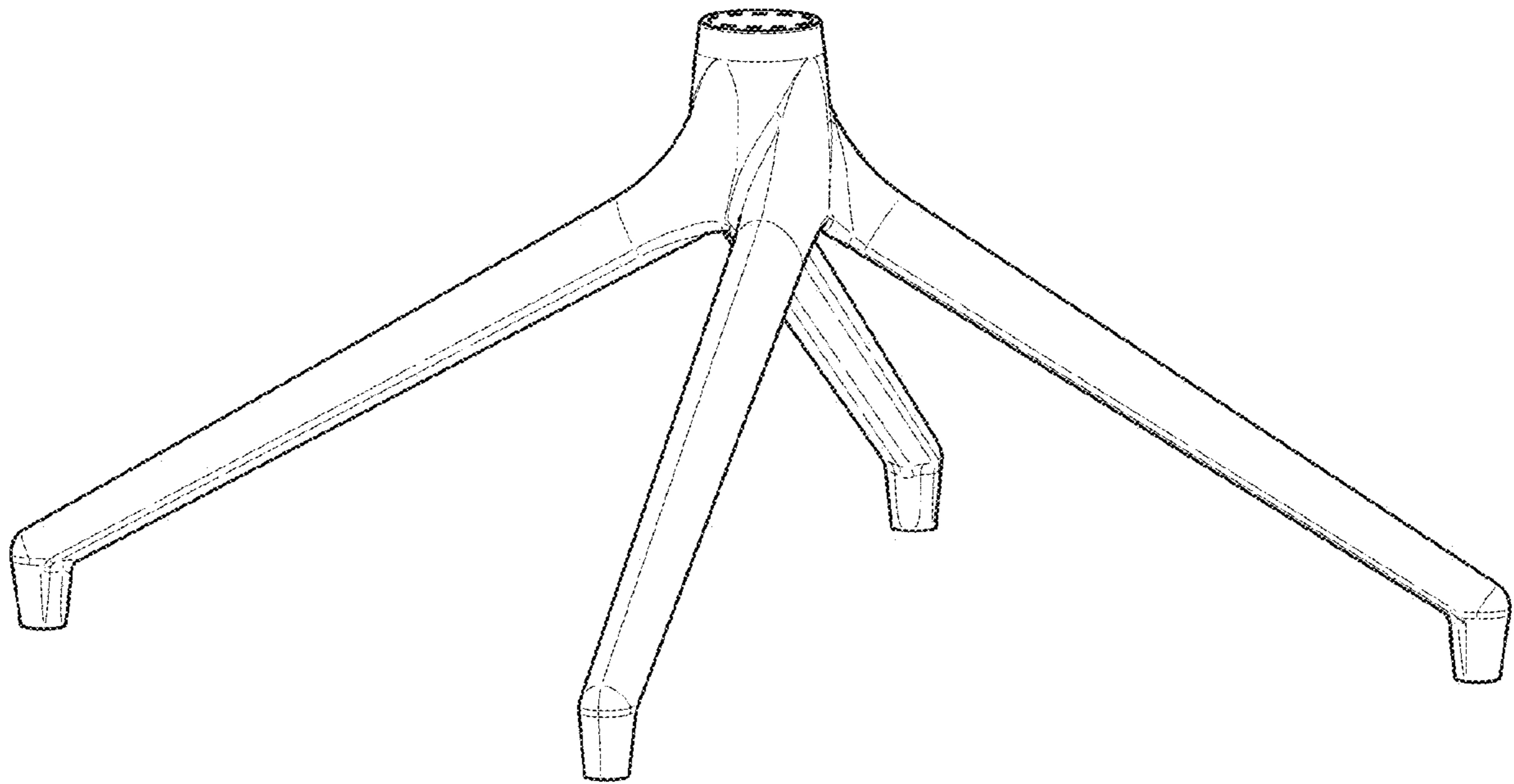


FIG. 1

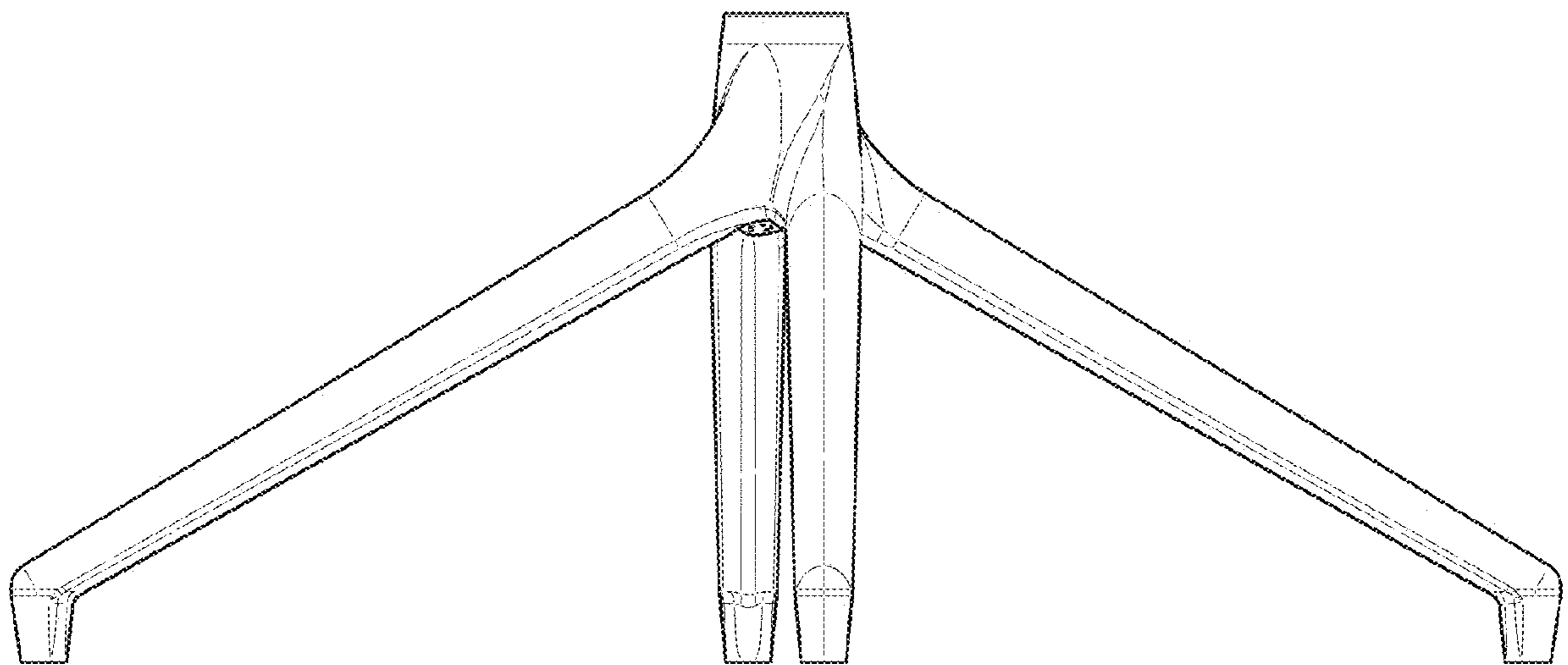


FIG. 2

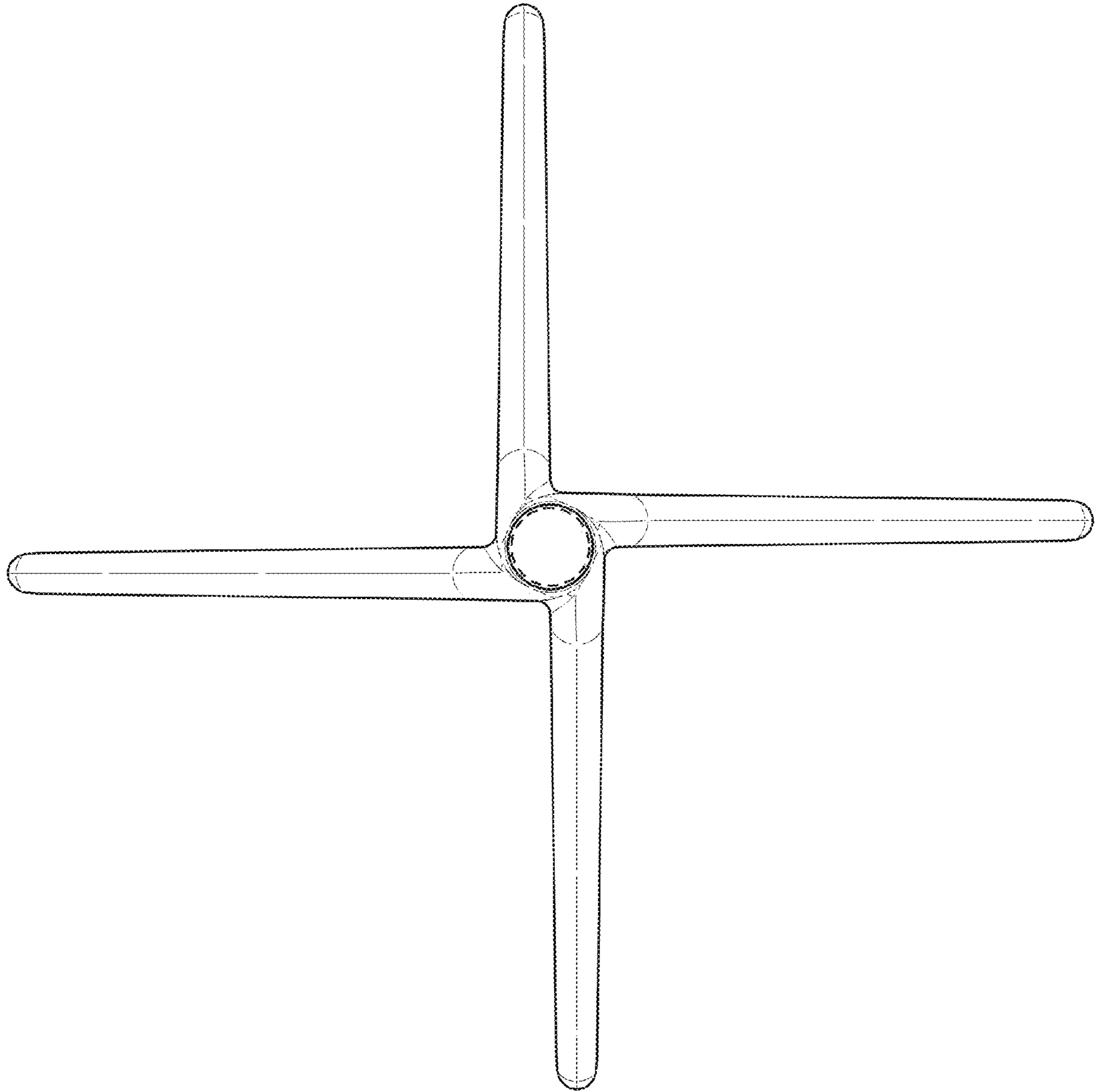


FIG. 3

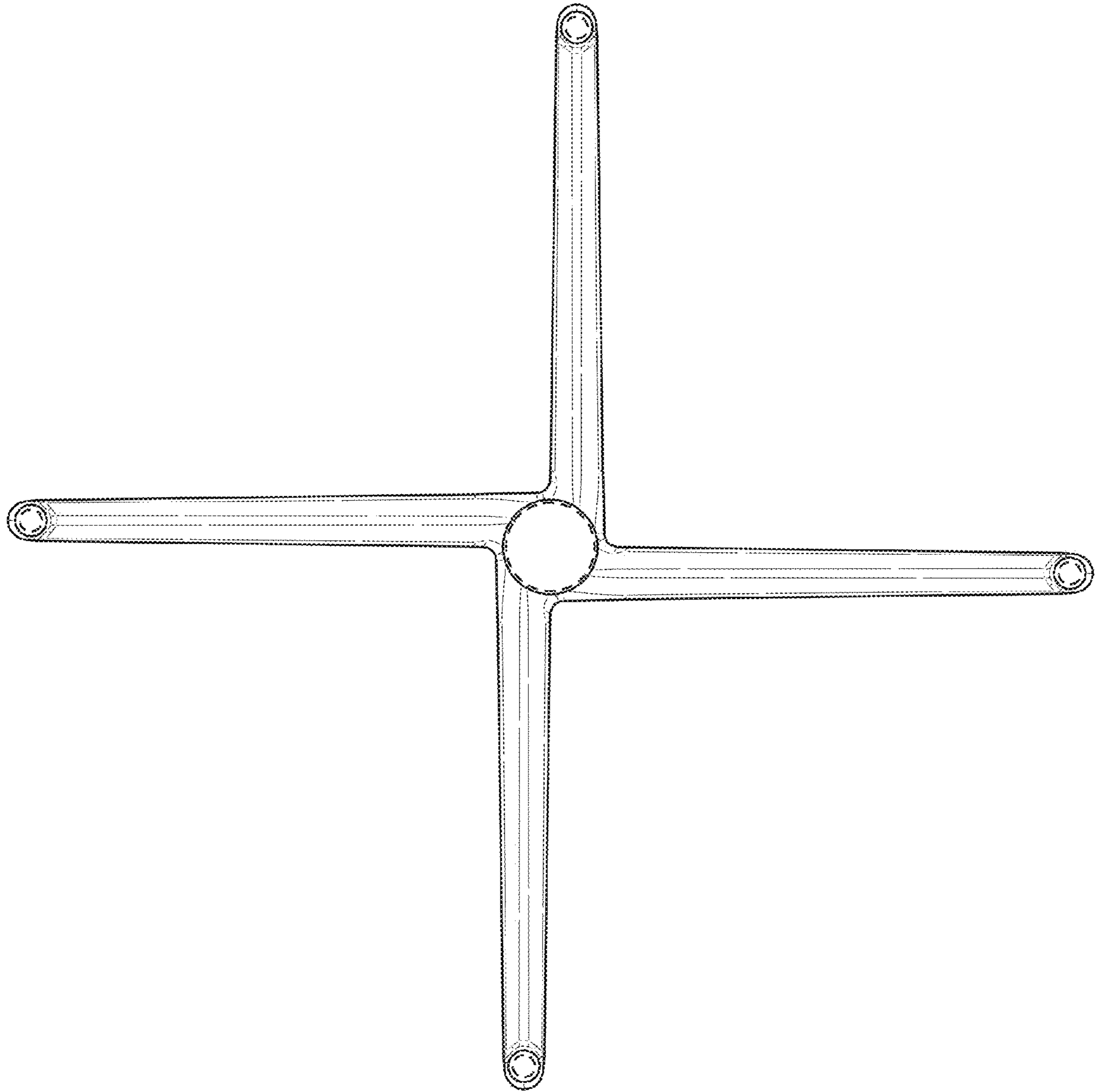


FIG. 4