



US00D970944S

(12) **United States Design Patent** (10) **Patent No.:** **US D970,944 S**  
**Dai** (45) **Date of Patent:** **\*\* Nov. 29, 2022**

(54) **SHELF PARTITION**  
(71) Applicant: **SHENZHEN YIHONG TECHNOLOGY CO., LTD**, Shenzhen (CN)  
(72) Inventor: **Yi Dai**, Shenzhen (CN)  
(73) Assignee: **SHENZHEN YIHONG TECHNOLOGY CO., LTD**, Shenzhen (CN)  
(\*\*) Term: **15 Years**  
(21) Appl. No.: **29/823,598**  
(22) Filed: **Jan. 18, 2022**  
(51) **LOC (13) Cl.** ..... **06-06**  
(52) **U.S. Cl.**  
USPC ..... **D6/706**  
(58) **Field of Classification Search**  
USPC ..... D6/672, 682, 705, 705.2, 706;  
D8/380-381; D3/319  
CPC ..... A47B 67/10; A47B 65/15; A47B 88/00;  
A47B 88/90; A47B 88/975; A47F 5/005;  
A47F 5/0068; A47F 5/105; A47F 3/06  
See application file for complete search history.

(56) **References Cited**

**U.S. PATENT DOCUMENTS**

D269,933 S \* 8/1983 Daenen ..... D7/396.1  
D473,080 S \* 4/2003 Kellogg ..... D6/706  
D482,913 S 12/2003 Lingvall  
D507,915 S \* 8/2005 Nagel ..... D6/706  
D564,764 S \* 3/2008 Springer ..... D6/332  
D596,431 S \* 7/2009 Berger ..... D6/706  
D692,931 S \* 11/2013 Roberson ..... D15/89  
D702,068 S \* 4/2014 Mitten ..... D6/706  
D707,994 S 7/2014 Le  
D723,842 S \* 3/2015 Walker ..... D6/672

D731,562 S \* 6/2015 You ..... D15/89  
D747,749 S \* 1/2016 Lee ..... F25D 25/025  
D15/89  
D760,519 S \* 7/2016 Le ..... D6/706  
D779,865 S \* 2/2017 Bram ..... D6/706  
D835,498 S \* 12/2018 Rassat ..... D8/381  
D843,149 S \* 3/2019 Nilsson ..... D6/706  
D845,688 S \* 4/2019 Dibdin ..... D6/706  
D846,320 S \* 4/2019 Loy ..... D6/682  
D885,813 S \* 6/2020 Snell ..... D6/706  
D889,892 S \* 7/2020 Su ..... D6/705.5  
D891,841 S \* 8/2020 Su ..... D6/705.5  
D901,220 S \* 11/2020 Schwarzmann ..... D6/705  
D911,089 S \* 2/2021 Irgang ..... D6/705  
D929,163 S \* 8/2021 Au ..... D6/706  
D932,774 S \* 10/2021 Horner ..... D3/319  
D937,013 S \* 11/2021 Smith ..... D6/643  
D944,015 S \* 2/2022 Greenwood ..... D3/319  
D945,781 S \* 3/2022 Levy ..... D6/332

\* cited by examiner

*Primary Examiner* — Kelley A Donnelly

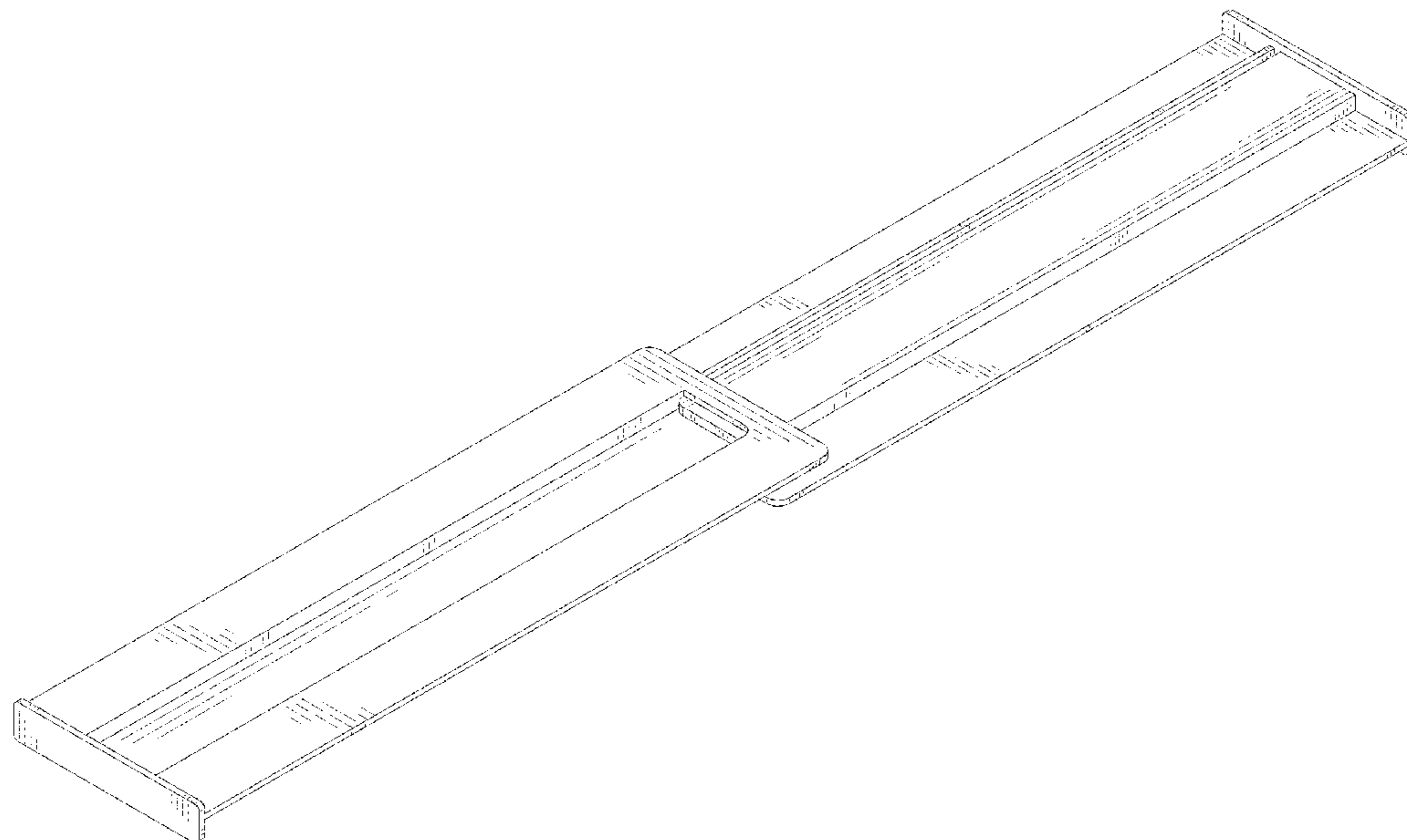
(57) **CLAIM**

The ornamental design for a shelf partition, as shown and described.

**DESCRIPTION**

FIG. 1 is a perspective view of a shelf partition showing my new design;  
FIG. 2 is another perspective view thereof;  
FIG. 3 is another perspective view thereof;  
FIG. 4 is a front elevational view thereof;  
FIG. 5 is a rear elevational view thereof;  
FIG. 6 is a left side elevational view thereof;  
FIG. 7 is a right side elevational view thereof;  
FIG. 8 is a top plan view thereof;  
FIG. 9 is a bottom plan view thereof; and,  
FIG. 10 is a perspective view of the shelf partition where the shelf partition is in a configuration of use.

**1 Claim, 10 Drawing Sheets**



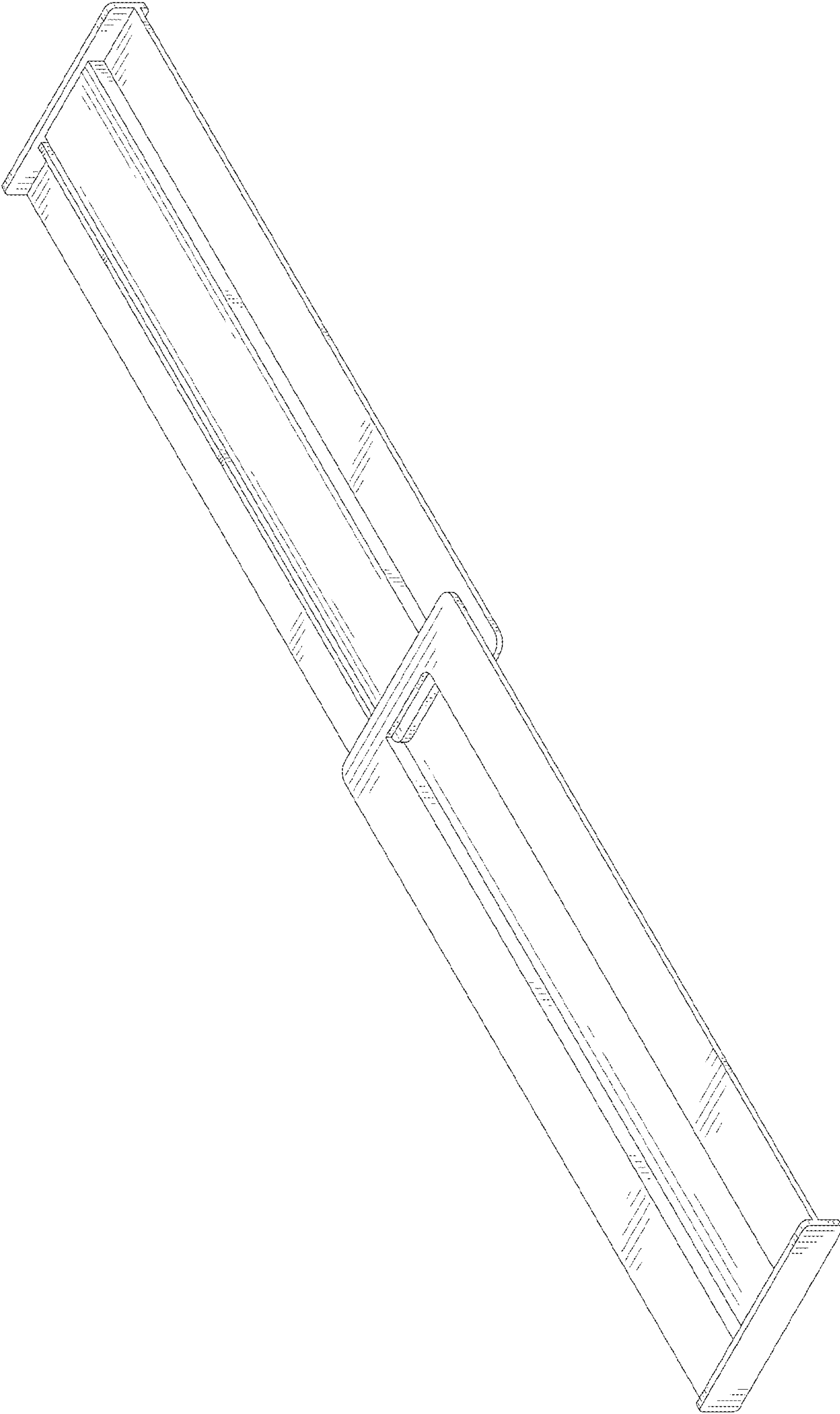


FIG. 1

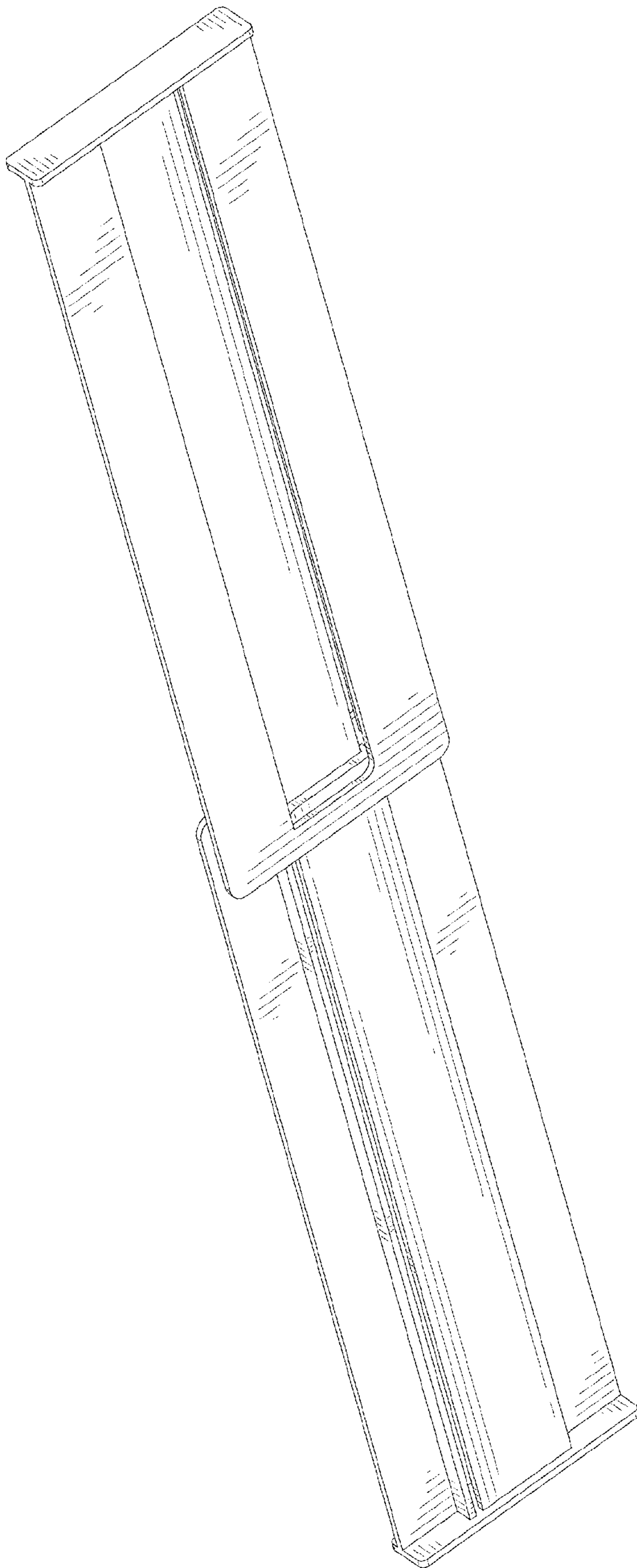


FIG. 2

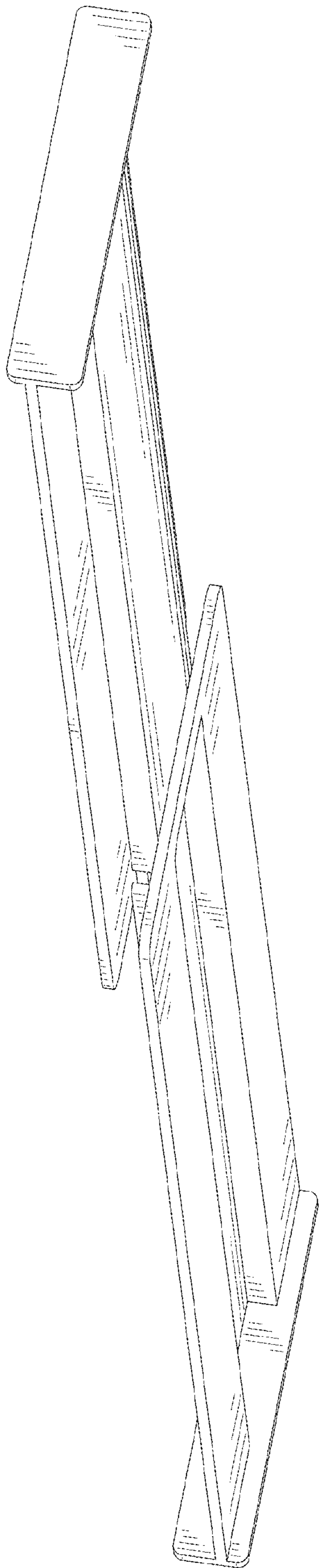


FIG. 3

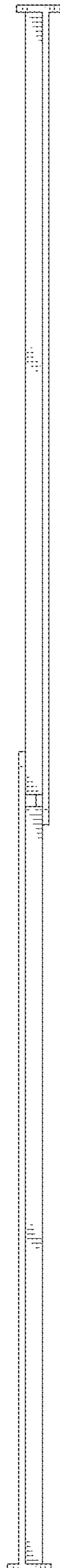


FIG. 4

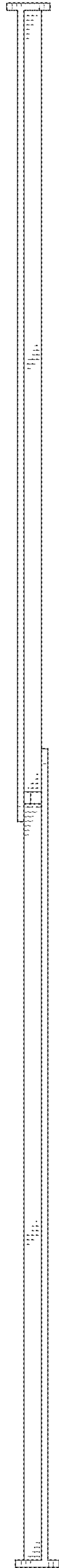


FIG. 5

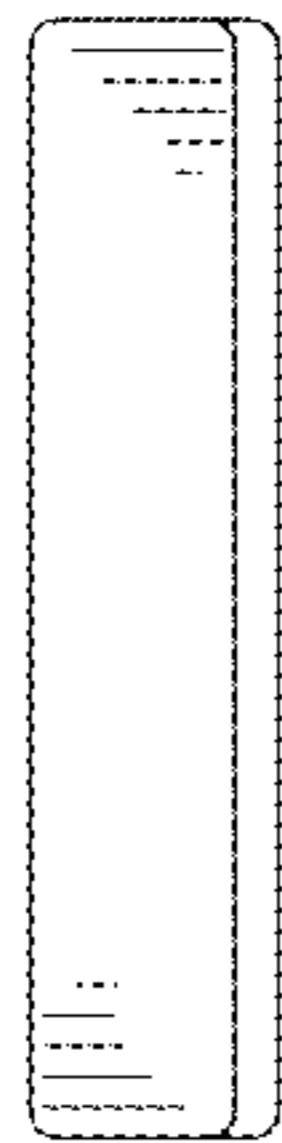


FIG. 6



FIG. 7



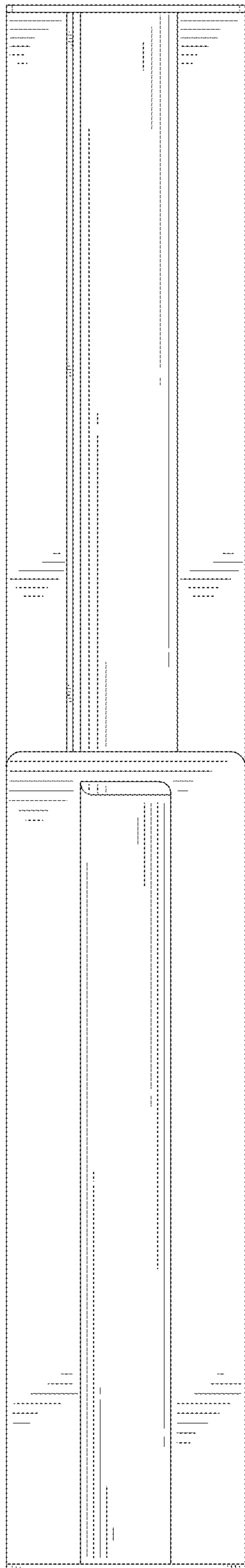


FIG. 8

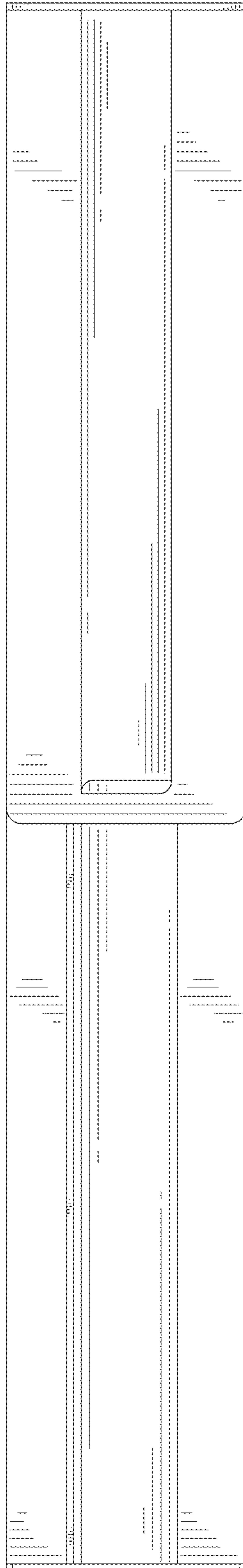


FIG. 9

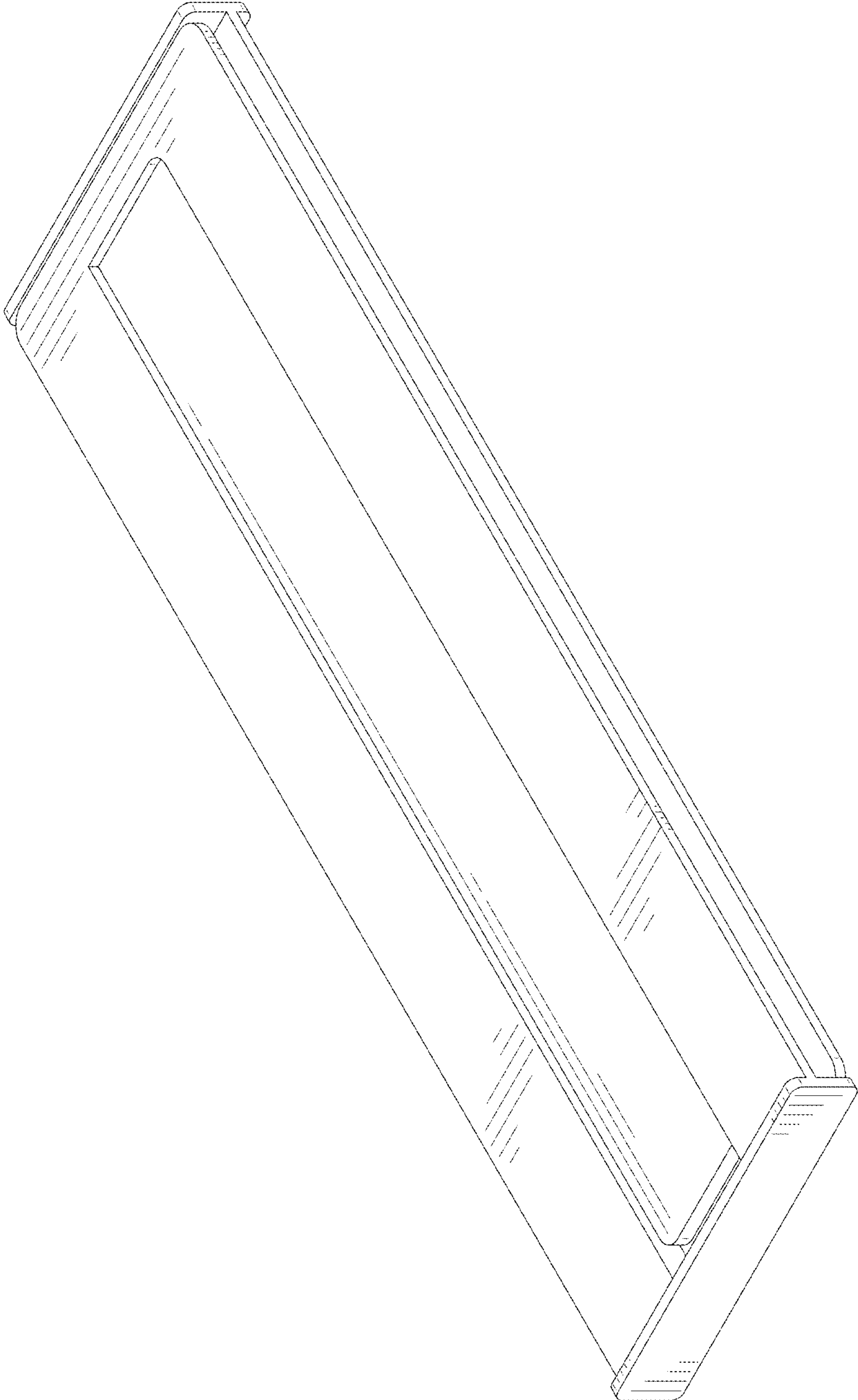


FIG. 10