



US00D970943S

(12) **United States Design Patent** (10) **Patent No.:** **US D970,943 S**
Filice et al. (45) **Date of Patent:** **** Nov. 29, 2022**

(54) **CUSTOMER ASSISTANCE STAND** D372,316 S * 7/1996 Purvis D25/126
5,615,503 A * 4/1997 Current G09F 7/20
40/601
(71) Applicants: **Great Northern Instore**, Des Plaines, IL (US); **Indyme Solutions LLC**, San Diego, CA (US) 5,701,695 A * 12/1997 Current G09F 7/20
40/601
(72) Inventors: **Max Filice**, Des Plaines, IL (US); **Roman Piekosz**, Des Plaines, IL (US); **Joseph Budano**, San Diego, CA (US) D402,819 S * 12/1998 Weil D6/673
6,009,651 A * 1/2000 Current G09F 15/0068
40/605
6,105,292 A * 8/2000 Current G09F 15/0068
40/605
(73) Assignees: **INDYME SOLUTIONS, LLC**, San Diego, CA (US); **GREAT NORTHERN INSTORE, LLC**, Des Plaines, IL (US) D448,214 S * 9/2001 Jeffery D6/698
8,015,738 B2 * 9/2011 Ernetoft G09F 1/065
40/607.1
D659,426 S * 5/2012 Arko D6/700
8,959,813 B2 * 2/2015 Denby G09F 15/0056
40/606.03
9,076,354 B1 * 7/2015 Peota G09F 15/0012

(**) Term: **15 Years**

(21) Appl. No.: **29/732,093**

(22) Filed: **Apr. 21, 2020**

(51) **LOC (13) Cl.** **06-06**

(52) **U.S. Cl.**
USPC **D6/699.4**

(58) **Field of Classification Search**
USPC D6/698, 699, 699.4, 700; D10/113.4; D14/125, 126, 127, 371; D20/10, 19, 22, D20/27, 39, 41, 42, 99
CPC G09F 15/0012; G09F 15/0056; G09F 7/08; G09F 7/00; G09F 7/02; G09F 7/16; G09F 9/00; G09F 9/3026; G09F 9/33; G09F 9/35; G09F 13/00; G09F 13/22; G09F 15/00; G09F 15/0068; G06F 3/14; H01R 13/514
See application file for complete search history.

(56) **References Cited**

U.S. PATENT DOCUMENTS

1,566,316 A * 12/1925 Davis G09F 15/0056
40/606.18
D181,681 S * 12/1957 Shelton D6/700

* cited by examiner

Primary Examiner — Catherine Ho

(74) *Attorney, Agent, or Firm* — Lewis Kohn & Walker LLP; David M. Kohn; Kari Moyer-Henry

(57) **CLAIM**

We claim the ornamental design for a customer assistance stand, as shown and described.

DESCRIPTION

FIG. 1 is a perspective view of a customer assistance stand, showing our new design;
FIG. 2 is a front view thereof;
FIG. 3 is a side view thereof;
FIG. 4 is a top view thereof; and,
FIG. 5 is a perspective view of a customer assistance stand shown in an environment of use.
The broken line portion of the figure drawings is included to show environment that forms no part of the claimed design.

1 Claim, 3 Drawing Sheets

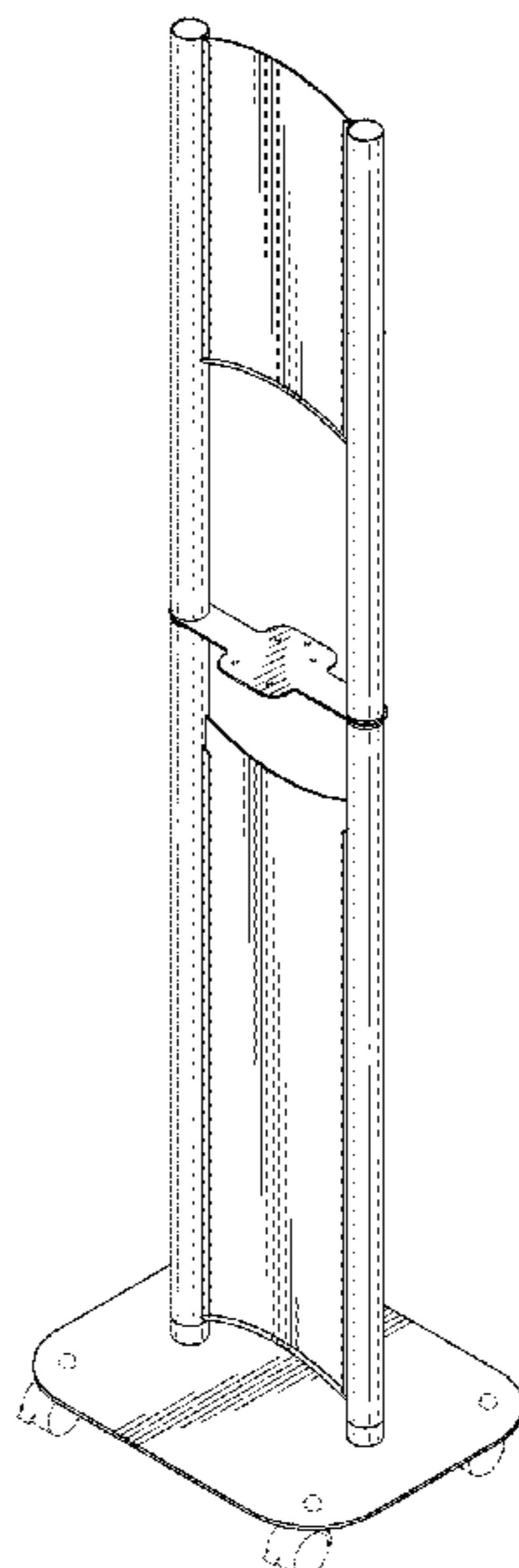


FIG. 1

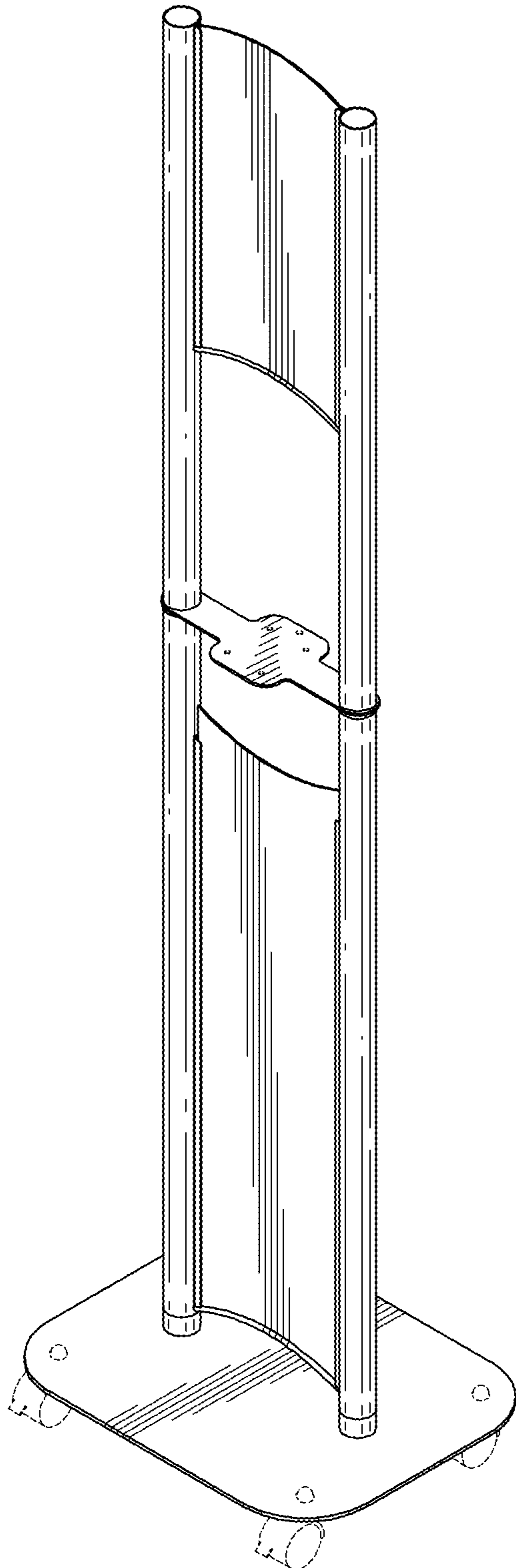


FIG. 2

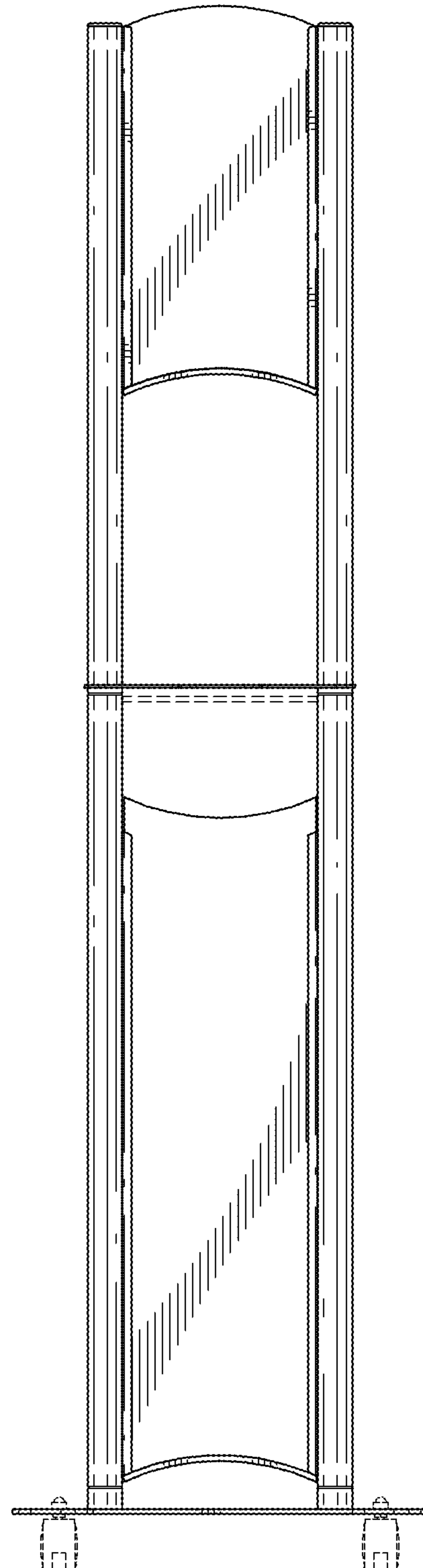


FIG. 3

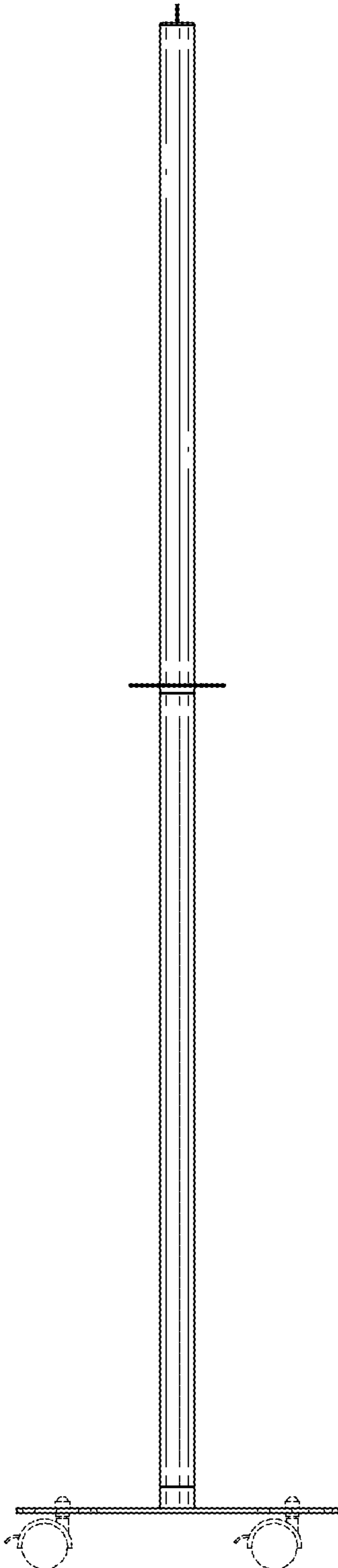


FIG. 4

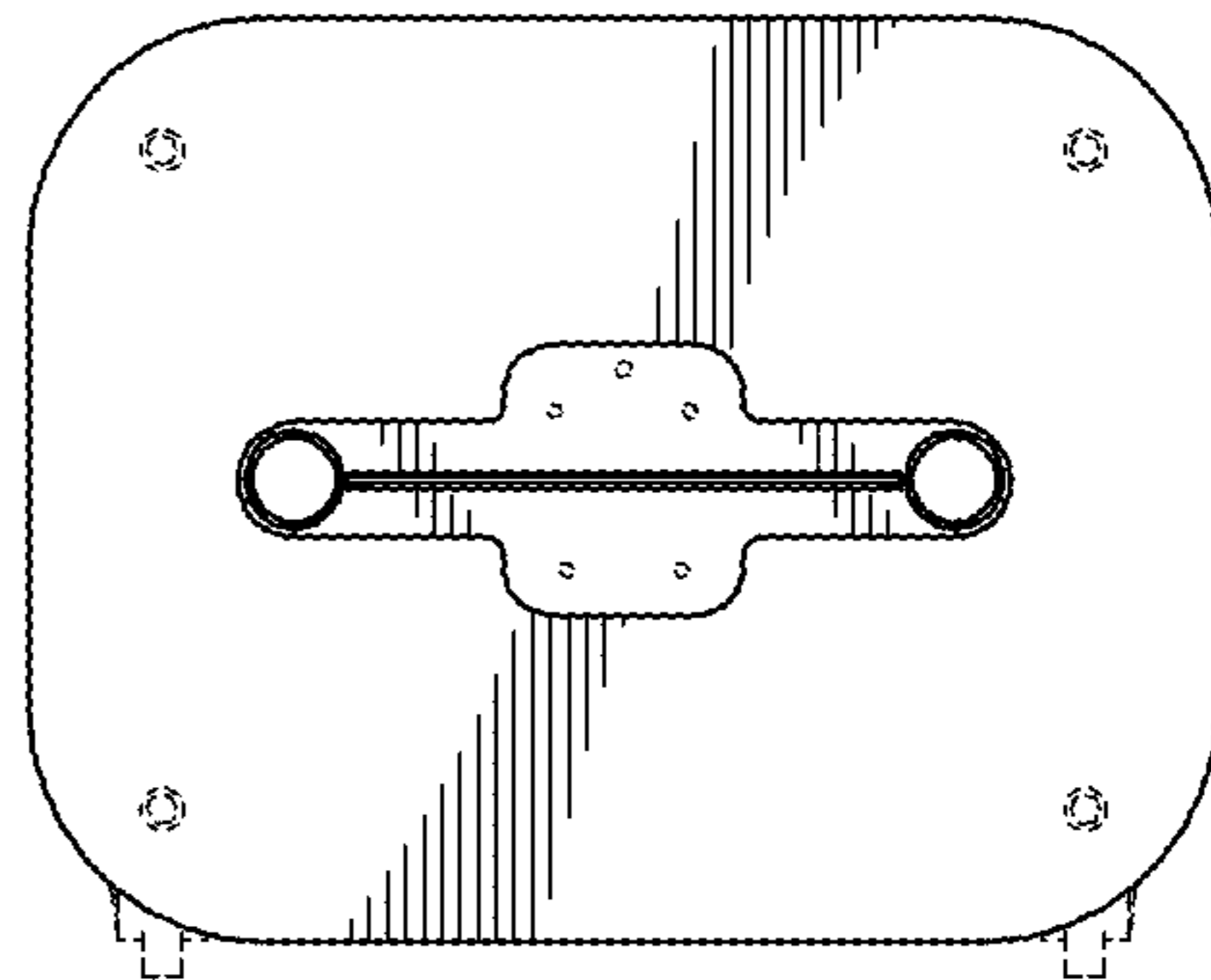


FIG. 5

