



US00D970942S

(12) **United States Design Patent** (10) **Patent No.:** **US D970,942 S**
Wang (45) **Date of Patent:** **** Nov. 29, 2022**

(54) **SOFA TABLE**

(71) Applicant: **Yanyan Wang**, Jinjiang (CN)

(72) Inventor: **Yanyan Wang**, Jinjiang (CN)

(**) Term: **15 Years**

(21) Appl. No.: **29/791,471**

(22) Filed: **Jan. 12, 2022**

(51) **LOC (13) Cl.** **06-03**

(52) **U.S. Cl.**
USPC **D6/694**

(58) **Field of Classification Search**

USPC D6/329, 349, 672, 675, 675.1, 685, 686,
D6/691, 691.1, 691.9, 694

CPC A47B 47/021; A47B 47/028; A47B 96/02;
A47B 7/00; A47B 13/00

See application file for complete search history.

(56) **References Cited**

U.S. PATENT DOCUMENTS

D404,937 S *	2/1999	Tarlow	D6/675.1
D588,831 S	3/2009	Mohundro		
D699,485 S *	2/2014	Hsu	D6/675.1
D703,468 S *	4/2014	Ho	D6/675.1
D758,767 S *	6/2016	Andersson	D6/675.1
D848,770 S *	5/2019	Davis	D6/675.1
D854,864 S *	7/2019	Lim	D6/684
D885,091 S *	5/2020	Davis	D6/675.3
D900,518 S *	11/2020	Davis	D6/691.9
D920,016 S *	5/2021	Ye	D6/675.1
D924,612 S *	7/2021	van Thiel	D6/691.1
D931,022 S *	9/2021	Lin	D6/675.1
D957,170 S *	7/2022	Song	D6/675.1

OTHER PUBLICATIONS

“LVB Industrial Console Table.” Found online Sep. 9, 2022 at www.amazon.com. Product first available May 31, 2021. Retrieved

from URL: <https://www.amazon.com/LVB-Industrial-Console-Hallway-Entryway/dp/B0967K59PD> (Year: 2021).*

“Ecoprso Sofa Table.” Found online Sep. 9, 2022 at www.amazon.com. Product first available Jun. 29, 2021. Retrieved from URL: <https://www.amazon.com/dp/B0987JQM68> (Year: 2021).*

“Sofa Tables Narrow Long Couch Table.” Found online Sep. 9, 2022 at www.amazon.com. Product first available May 15, 2021. Retrieved from URL: <https://www.amazon.com/Inches-Console-Storage-Shelves-Entryway/dp/B094ZND4Q1> (Year: 2021).*

“Hombazaar 3 Tier Console Sofa Table.” Found online Sep. 9, 2022 at www.amazon.com. Product first available Oct. 19, 2019. Retrieved from URL: <https://www.amazon.com/Hombazaar-Console-Industrial-Entryway-Storage/dp/B07YXR2TY2> (Year: 2019).*

Yanyan Wang and Sofa Table <https://www.amazon.com/dp/B0967K59PD>.

* cited by examiner

Primary Examiner — Mary Ann Calabrese

Assistant Examiner — Katelin G Kloberg

(57) **CLAIM**

The ornamental design for a sofa table, as shown and described.

DESCRIPTION

FIG. 1 is a front and top perspective view of a sofa table, showing my new design;

FIG. 2 is a front elevation view thereof;

FIG. 3 is a rear elevation view thereof;

FIG. 4 is a left side elevation view thereof;

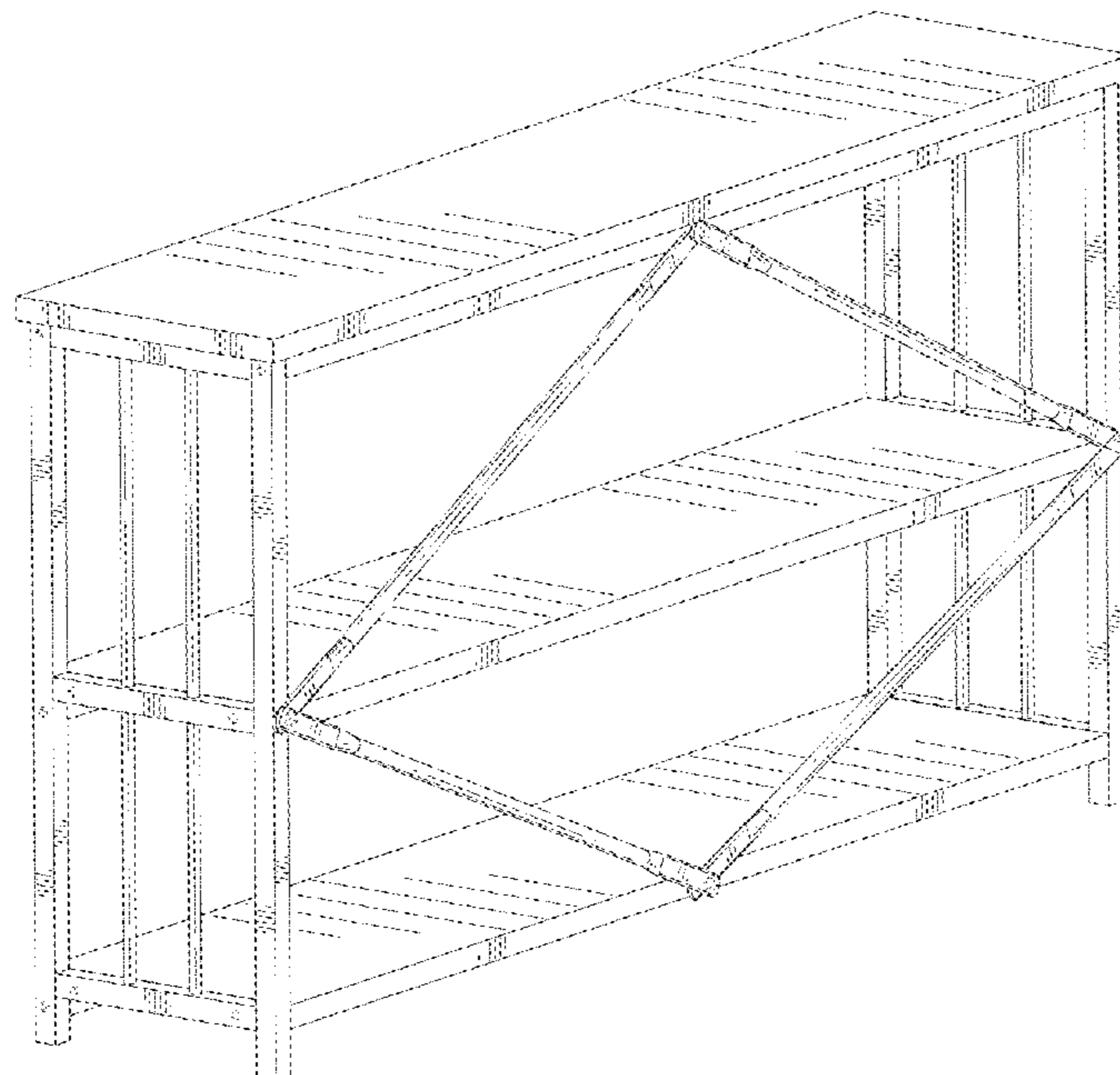
FIG. 5 is a right side elevation view thereof;

FIG. 6 is a top plan view thereof; and,

FIG. 7 is a bottom plan view thereof.

The broken lines in the figures illustrate portions of the sofa table, that form no part of the claimed design.

1 Claim, 7 Drawing Sheets



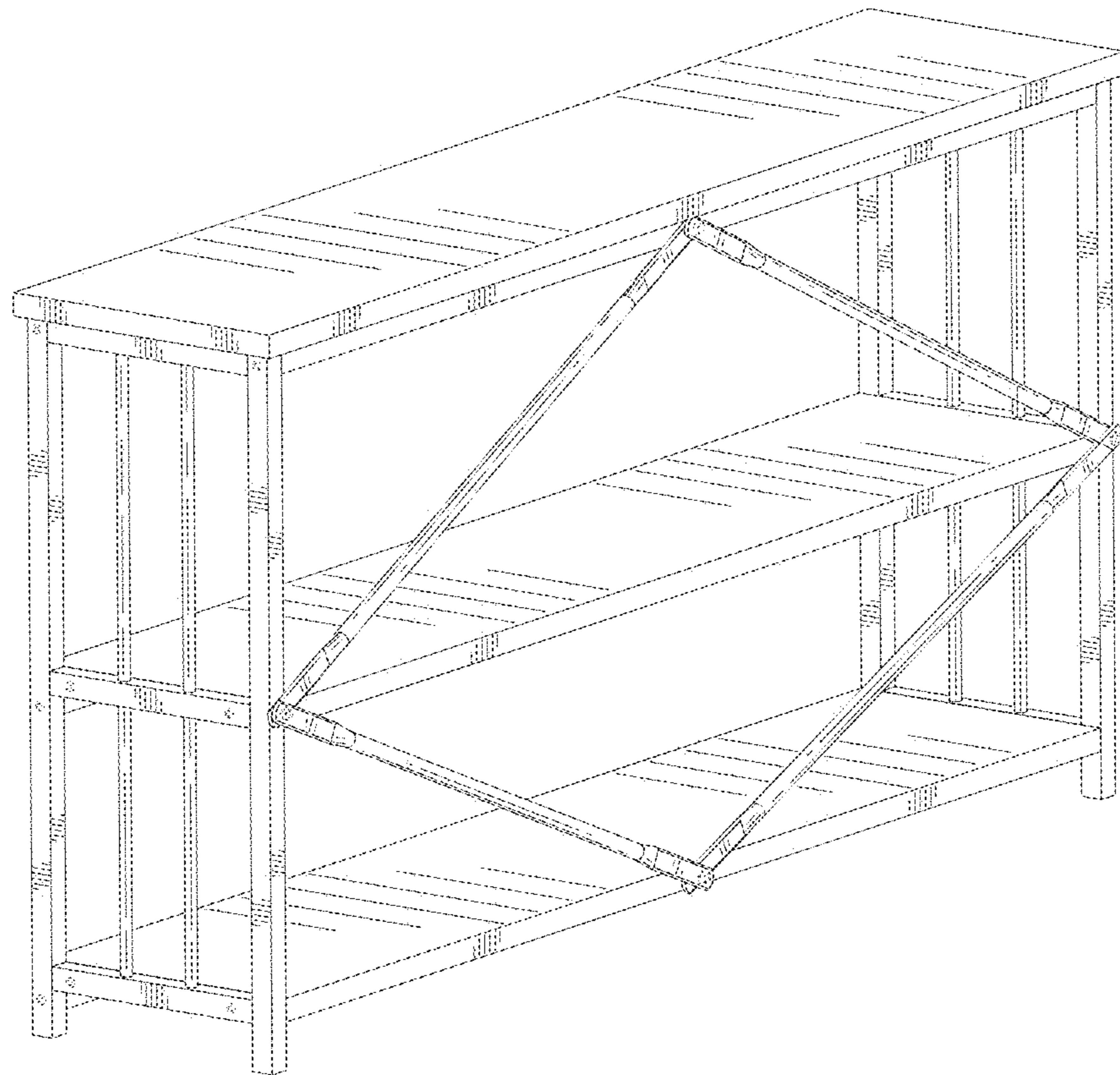


FIG. 1

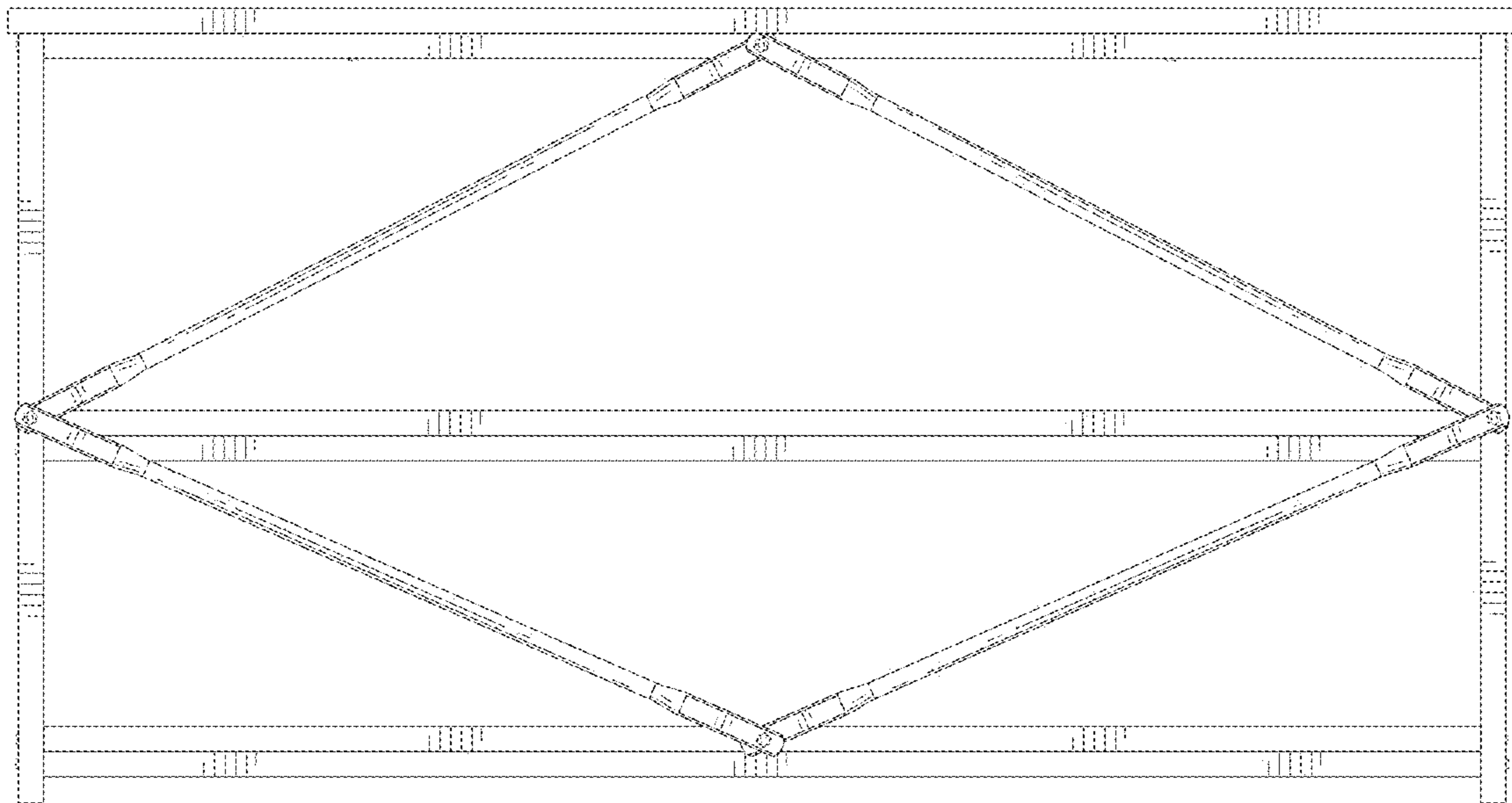


FIG. 2

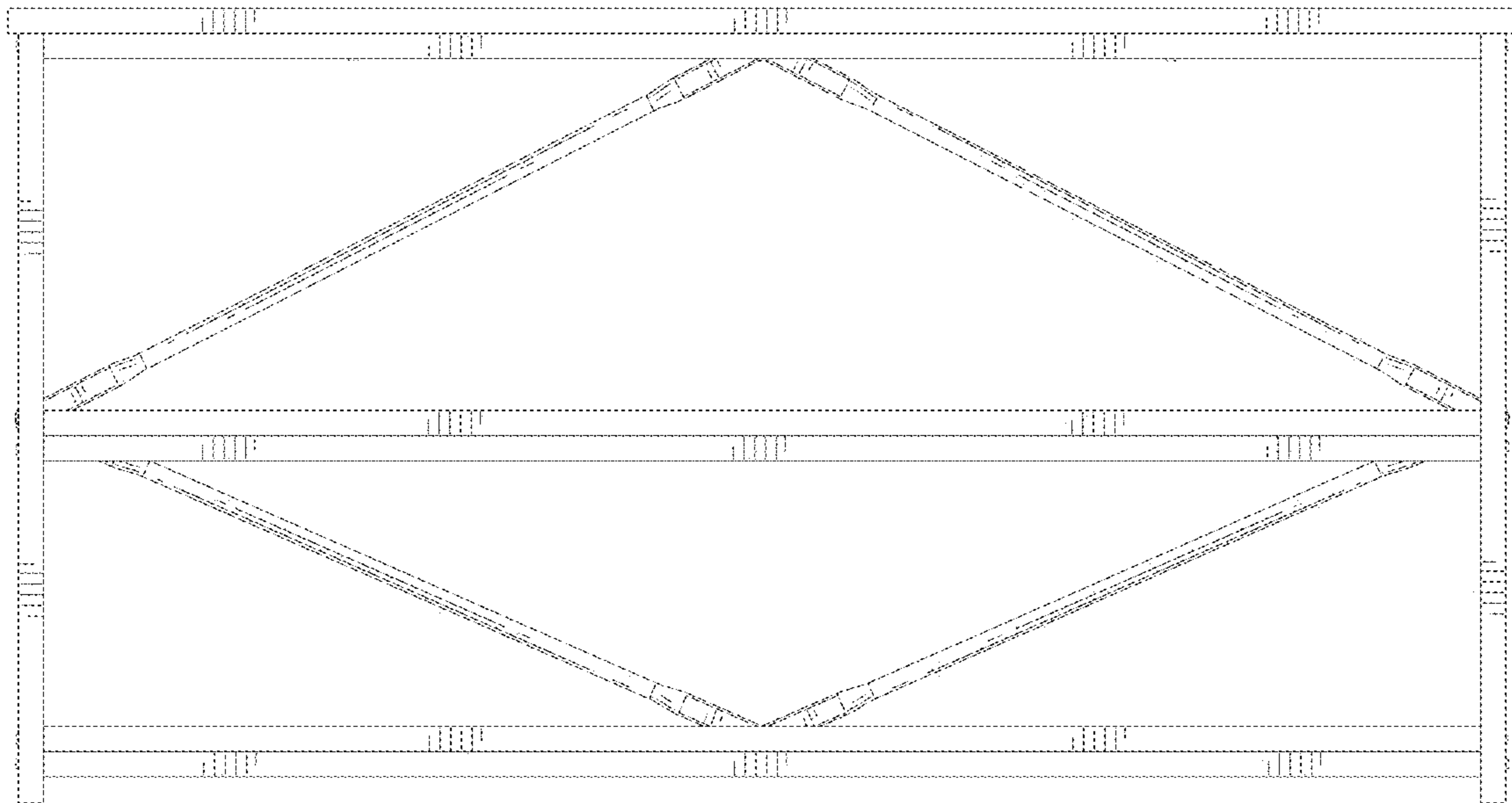


FIG. 3

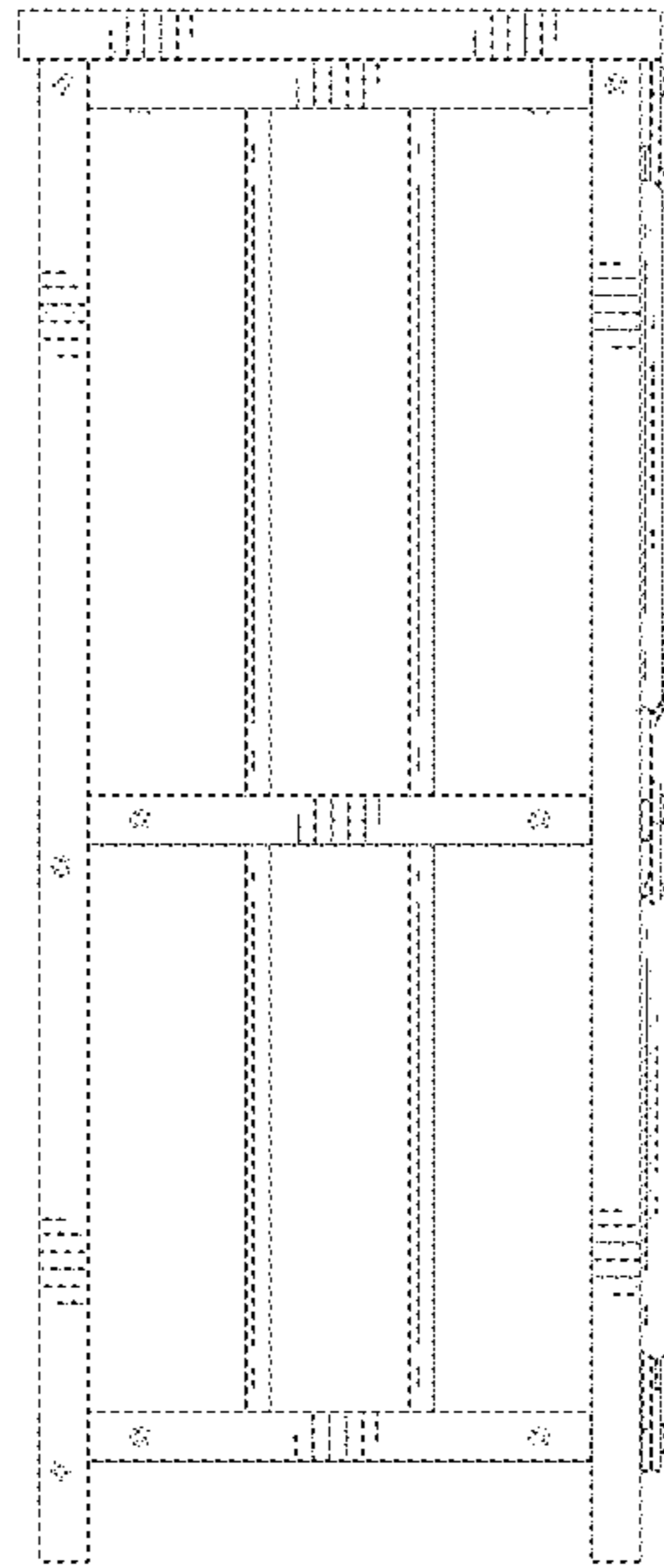


FIG. 4

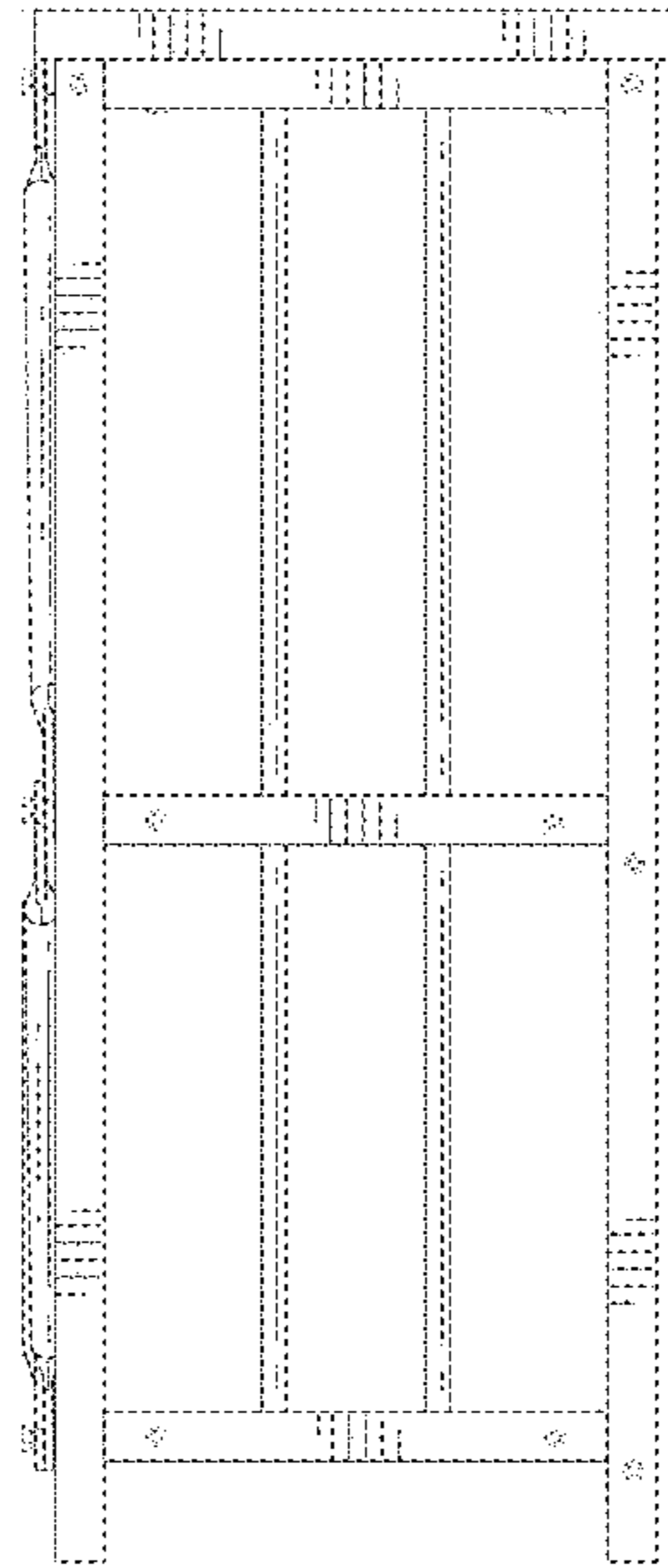


FIG. 5



FIG. 6

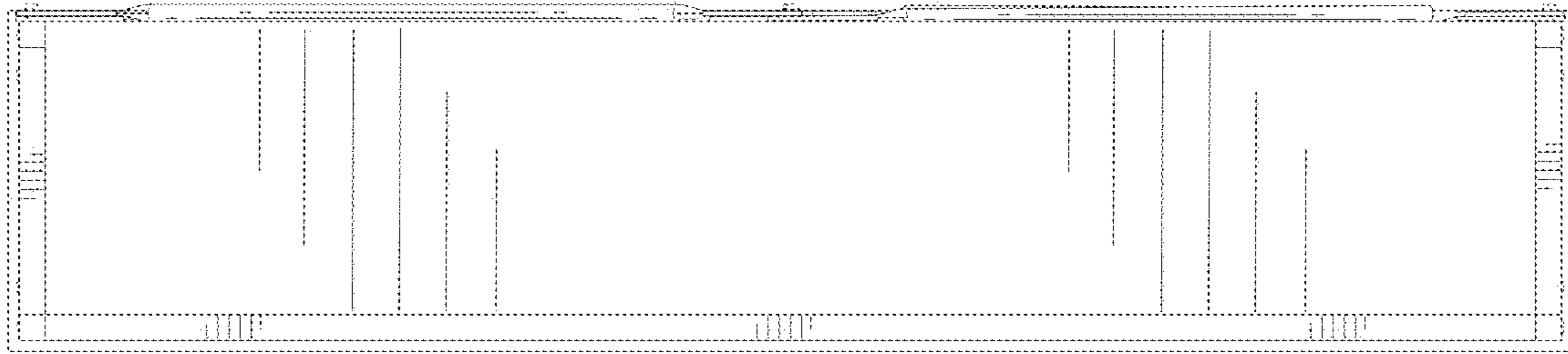


FIG. 7