



US00D970939S

(12) **United States Design Patent** (10) **Patent No.:** **US D970,939 S**
Li (45) **Date of Patent:** **** Nov. 29, 2022**

(54) **FOLDING TABLE**

(71) Applicant: **Shun Cai Li**, Xu Zhou (CN)

(72) Inventor: **Shun Cai Li**, Xu Zhou (CN)

(**) Term: **15 Years**

(21) Appl. No.: **29/801,499**

(22) Filed: **Jul. 29, 2021**

(51) **LOC (13) Cl.** **06-03**

(52) **U.S. Cl.**
USPC **D6/686**; D6/691.6

(58) **Field of Classification Search**
USPC D6/685, 686, 691, 691.1–691.9
CPC A47B 3/00; A47B 3/08; A47B 2003/008;
A47B 7/00; A47B 13/00; A47B 13/02;
A47B 13/04; A47B 13/06; A47B 13/08;
A47B 13/10; A47B 13/12; A47B 17/00;
A47B 21/00; A47B 2200/0001; A47B
2200/0011; A47B 2200/002

See application file for complete search history.

(56) **References Cited**

U.S. PATENT DOCUMENTS

D437,145 S	2/2001	Leng	
D515,841 S	2/2006	Hsu	
D582,179 S *	12/2008	Lambert D6/689
8,156,875 B2 *	4/2012	Neunzert F16B 12/24 108/132
D742,146 S *	11/2015	Lin F16B 12/24 D6/691
D757,471 S	5/2016	Domingo	
D774,808 S *	12/2016	Lin D6/691
D777,486 S	1/2017	Lin	
D870,498 S	12/2019	Wang et al.	
2005/0241551 A1 *	11/2005	Neunzert F16B 12/24 108/132

OTHER PUBLICATIONS

Sorliva Folding Camping Table—dollar.bid, start date Nov. 30, 2021 <https://dollar.bid/Event/LotDetails/20304780/sorliva-Folding->

Camping-Table-Portable-Picnic-Camping-Table-Bed-Table retrieved from the internet on Jun. 27, 2022.*

ICECO Beach Table for Sand—Amazon, first available on Jun. 16, 2021 <https://www.amazon.com/ICECO-Folding-Portable-Lightweight-Aluminum/dp/B097BW6HHH> retrieved from the internet on Jun. 27, 2022.*

Sorliva Folding Camping Table—The Junk Store <https://junkstore.com/products/210000036738> retrieved from the internet on Jun. 27, 2022.*

<https://www.amazon.com/sorliva-Folding-Portable-Carrying-Lightweight/dp/B08P4FSVBM?th=1>; Nov. 25, 2020.

* cited by examiner

Primary Examiner — Mary Ann Calabrese

(74) *Attorney, Agent, or Firm* — Jeenam Park

(57) **CLAIM**

The ornamental design for a folding table, as shown and described.

DESCRIPTION

FIG. 1 is a perspective view of a folding table showing my new design;

FIG. 2 is a right-side view thereof;

FIG. 3 is a left-side view thereof;

FIG. 4 is a front view thereof;

FIG. 5 is a rear view thereof;

FIG. 6 is a top view thereof;

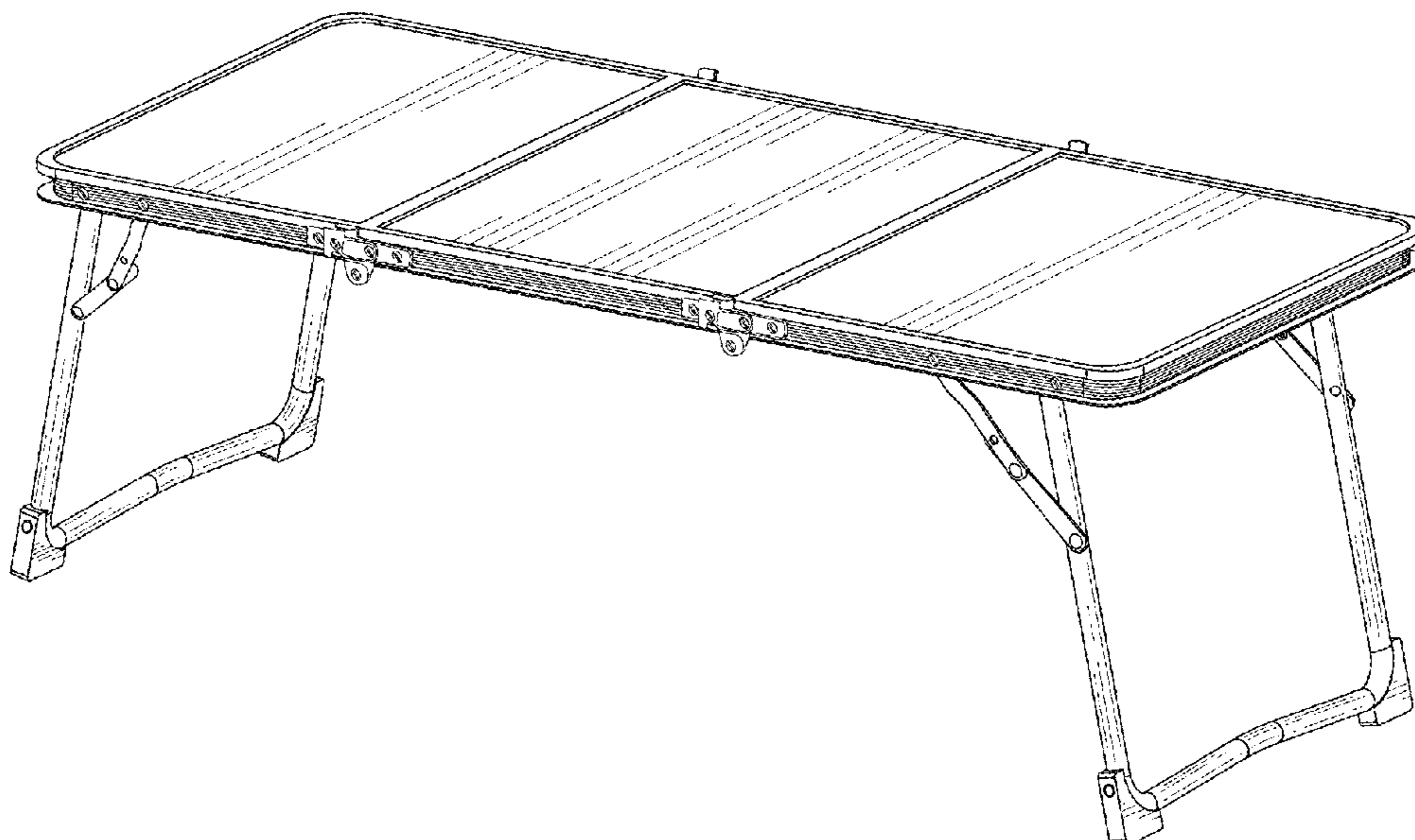
FIG. 7 is a bottom view thereof;

FIG. 8 is a bottom view of the folding table shown in a partially folded position; and,

FIG. 9 is a top view of the folding table shown in a completely folded position.

The broken lines in the drawings depict portions of the folding table that form no part of the claimed design.

1 Claim, 7 Drawing Sheets



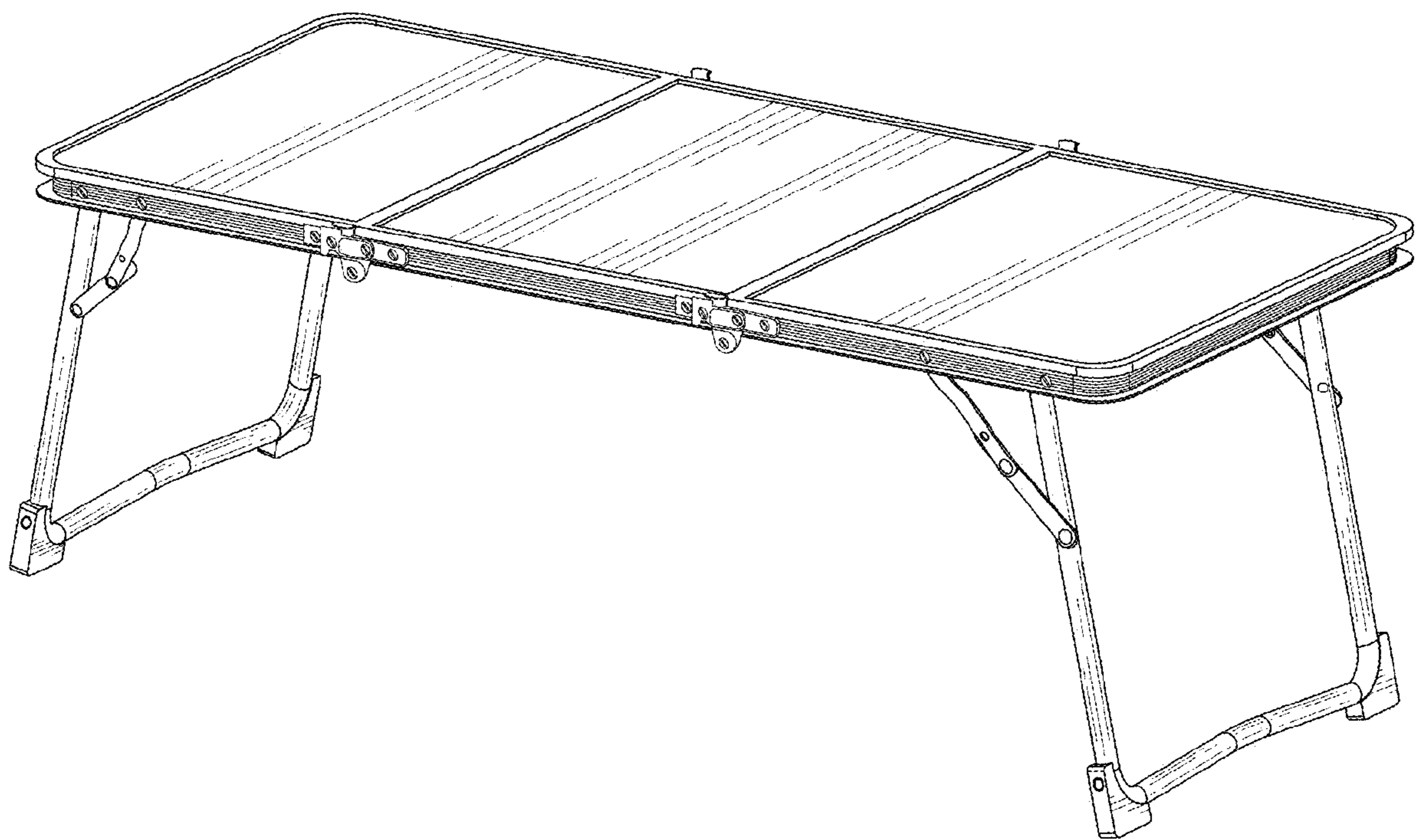


FIG. 1

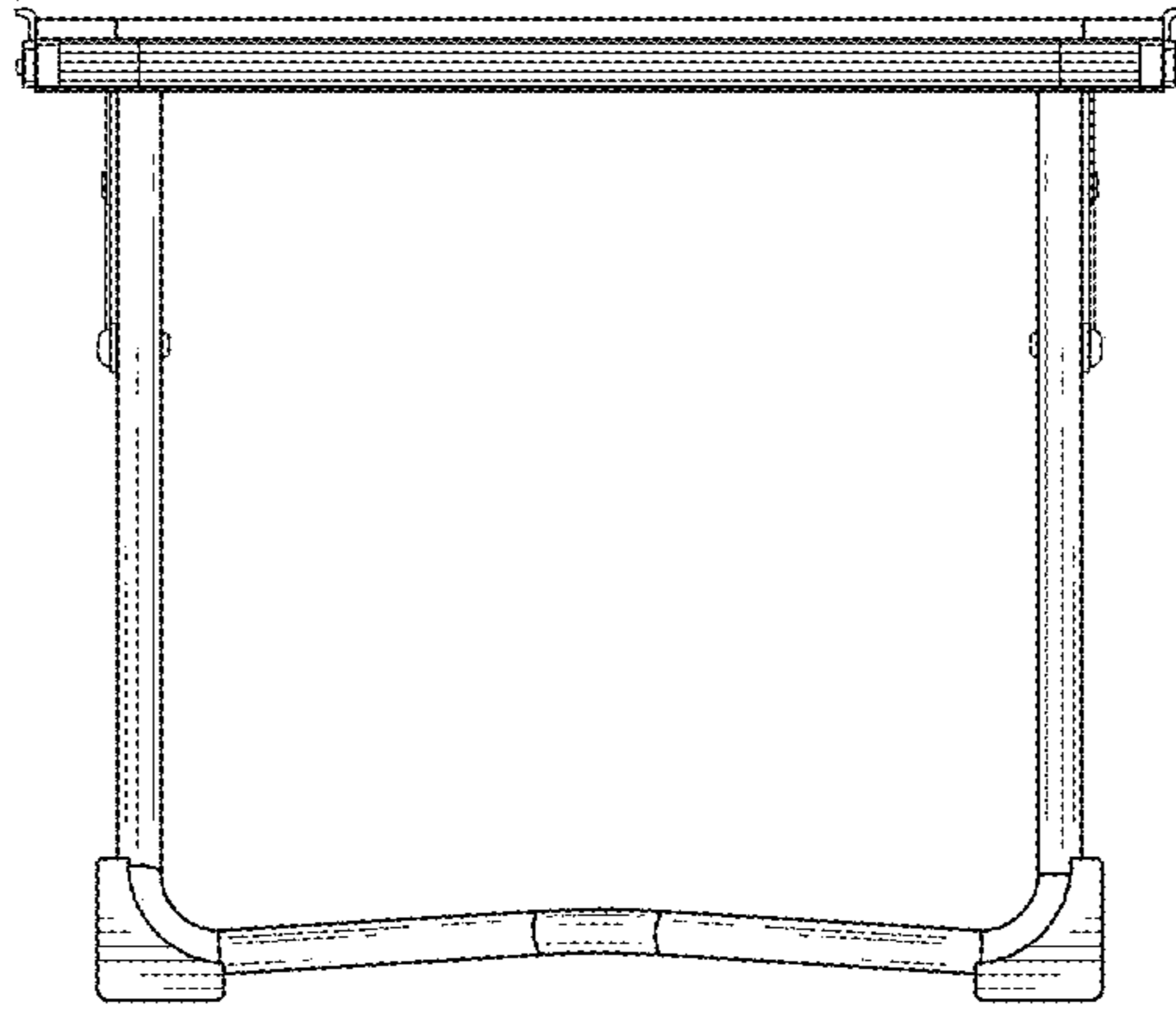


FIG. 2

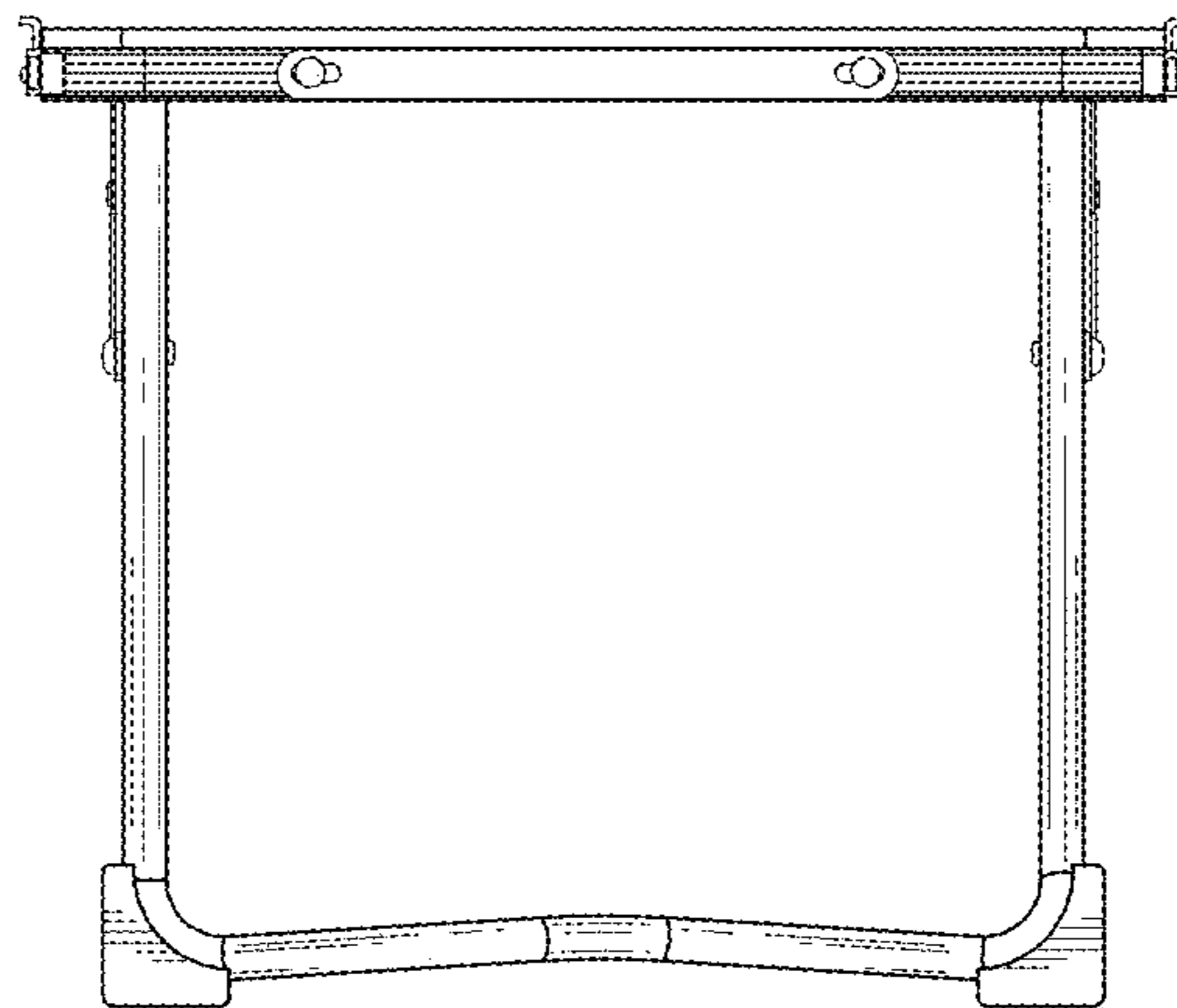


FIG. 3

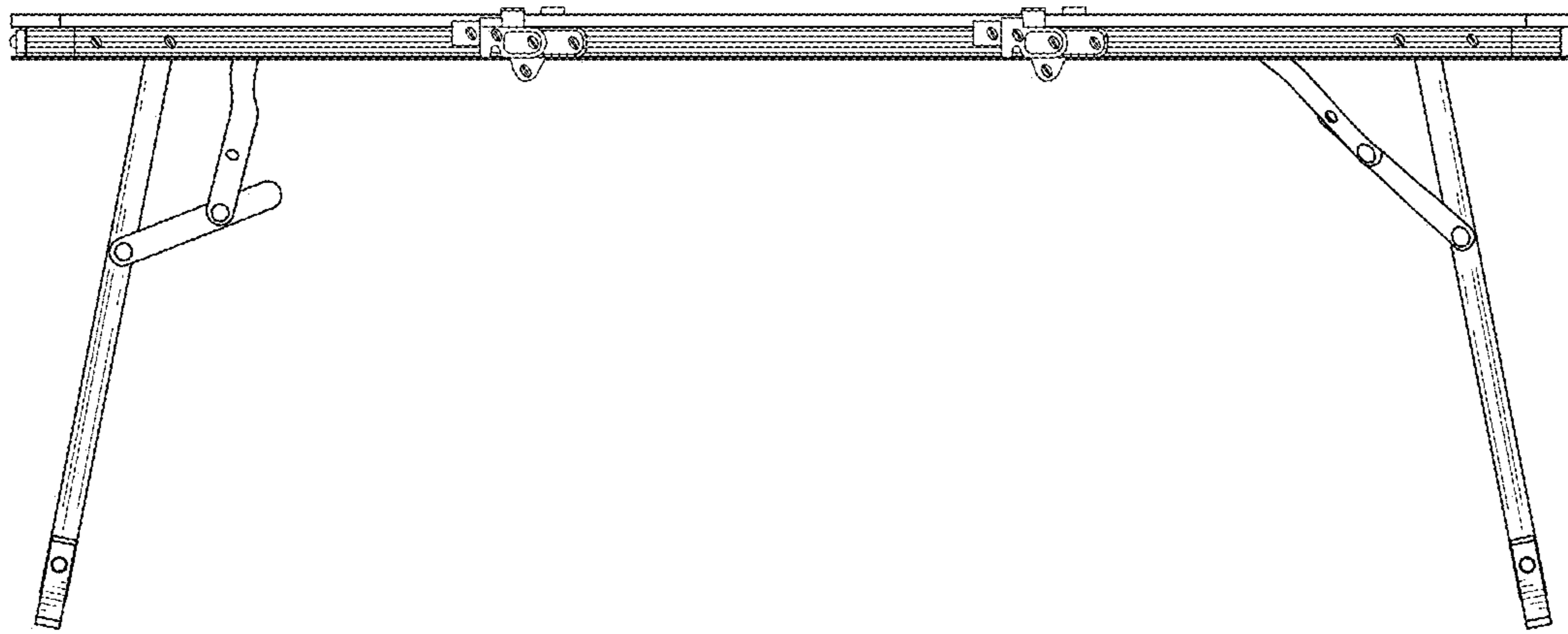


FIG. 4

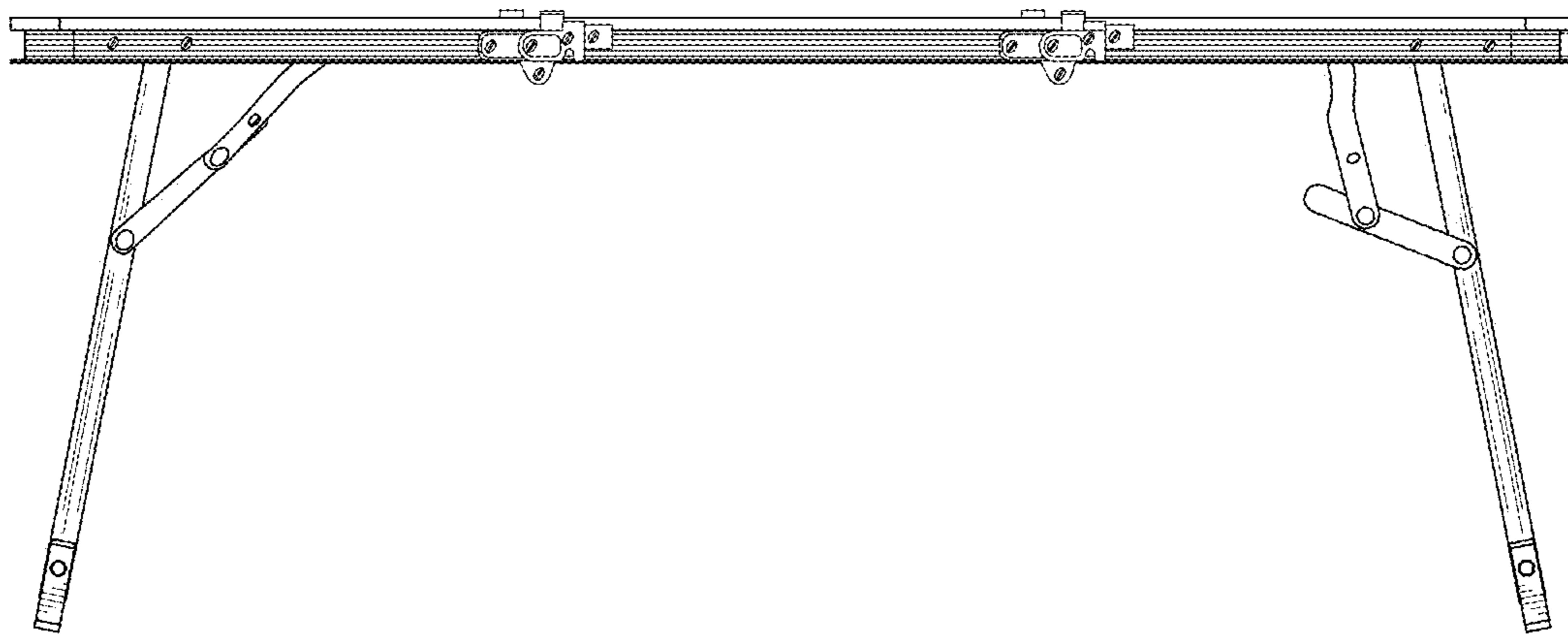


FIG. 5

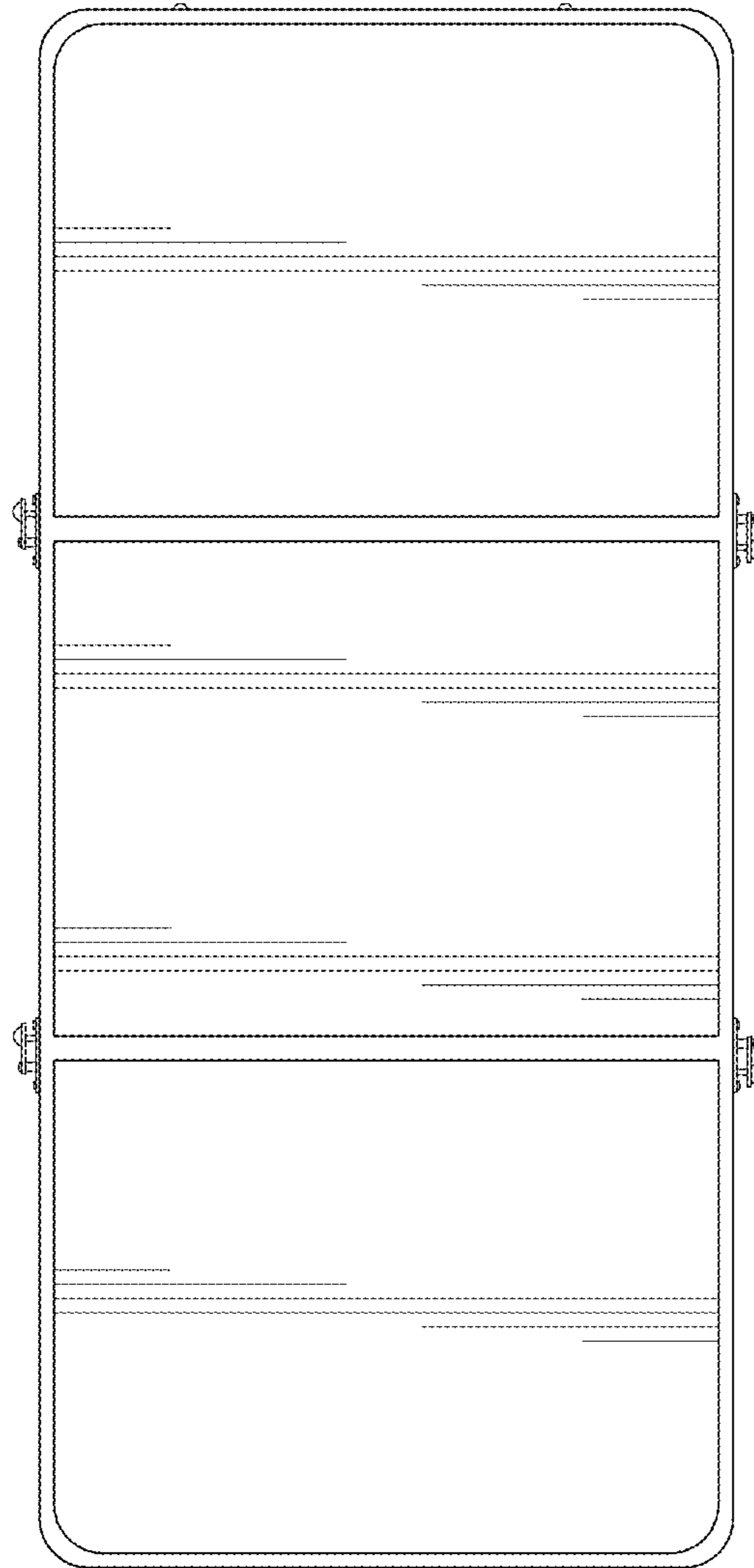


FIG. 6

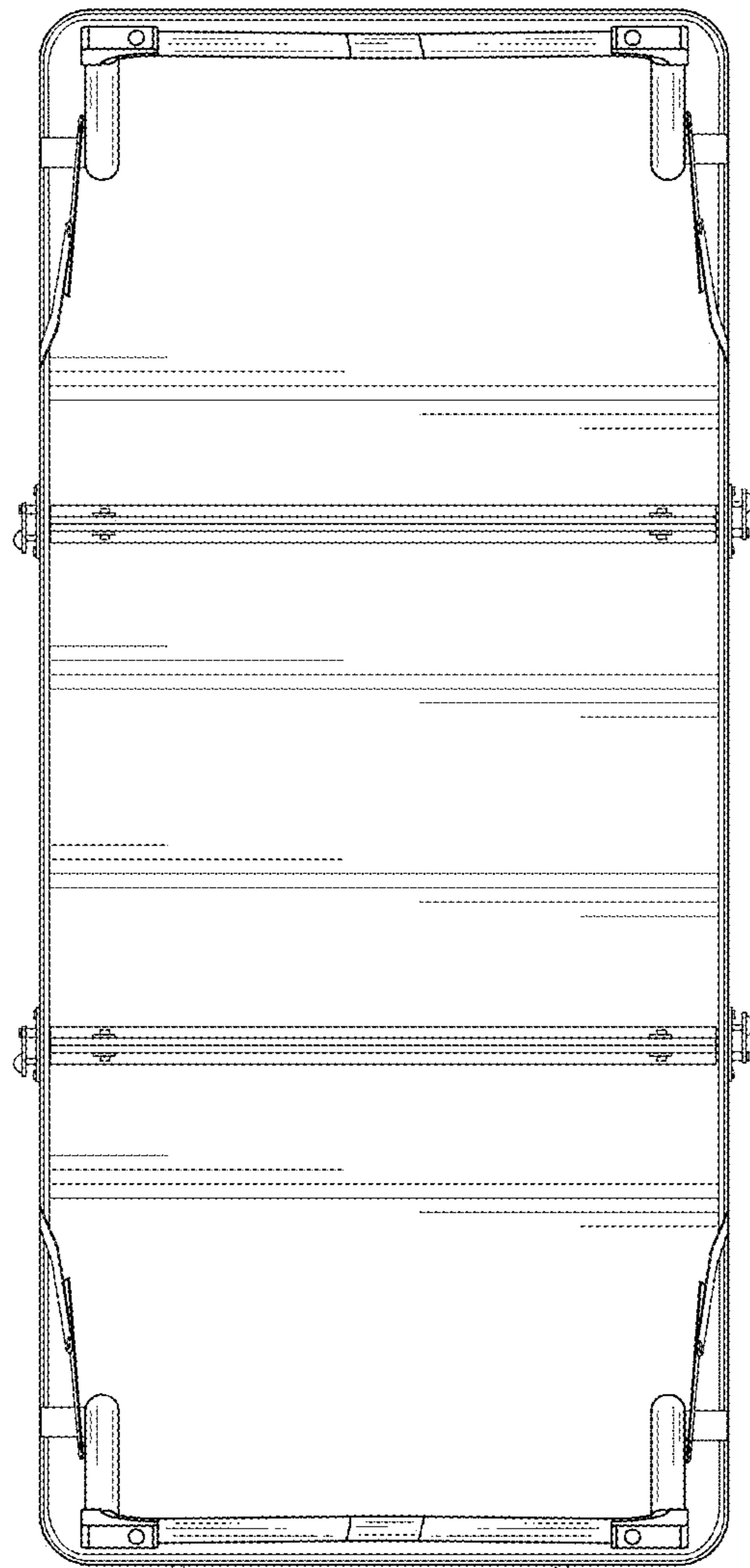


FIG. 7

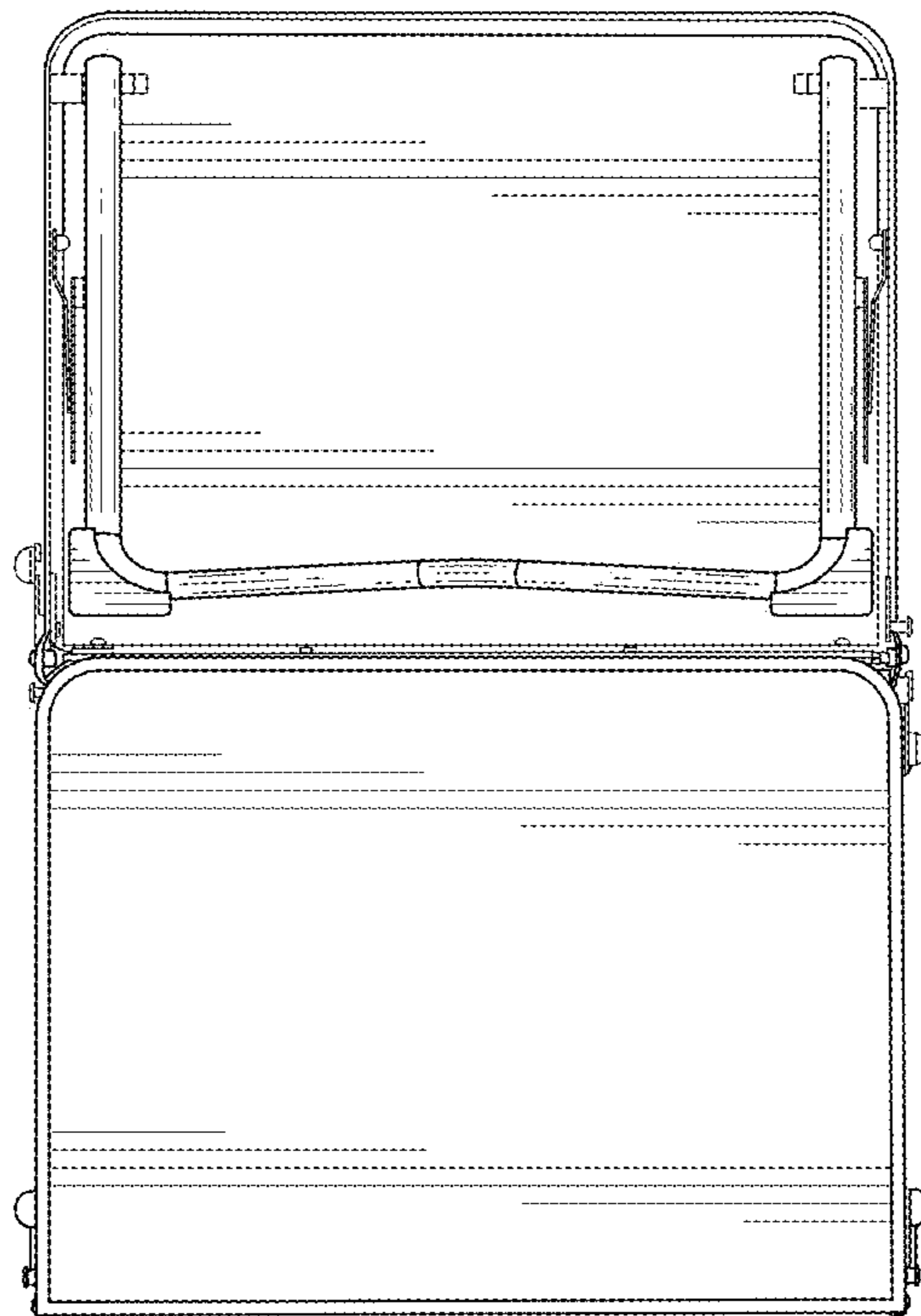


FIG. 8

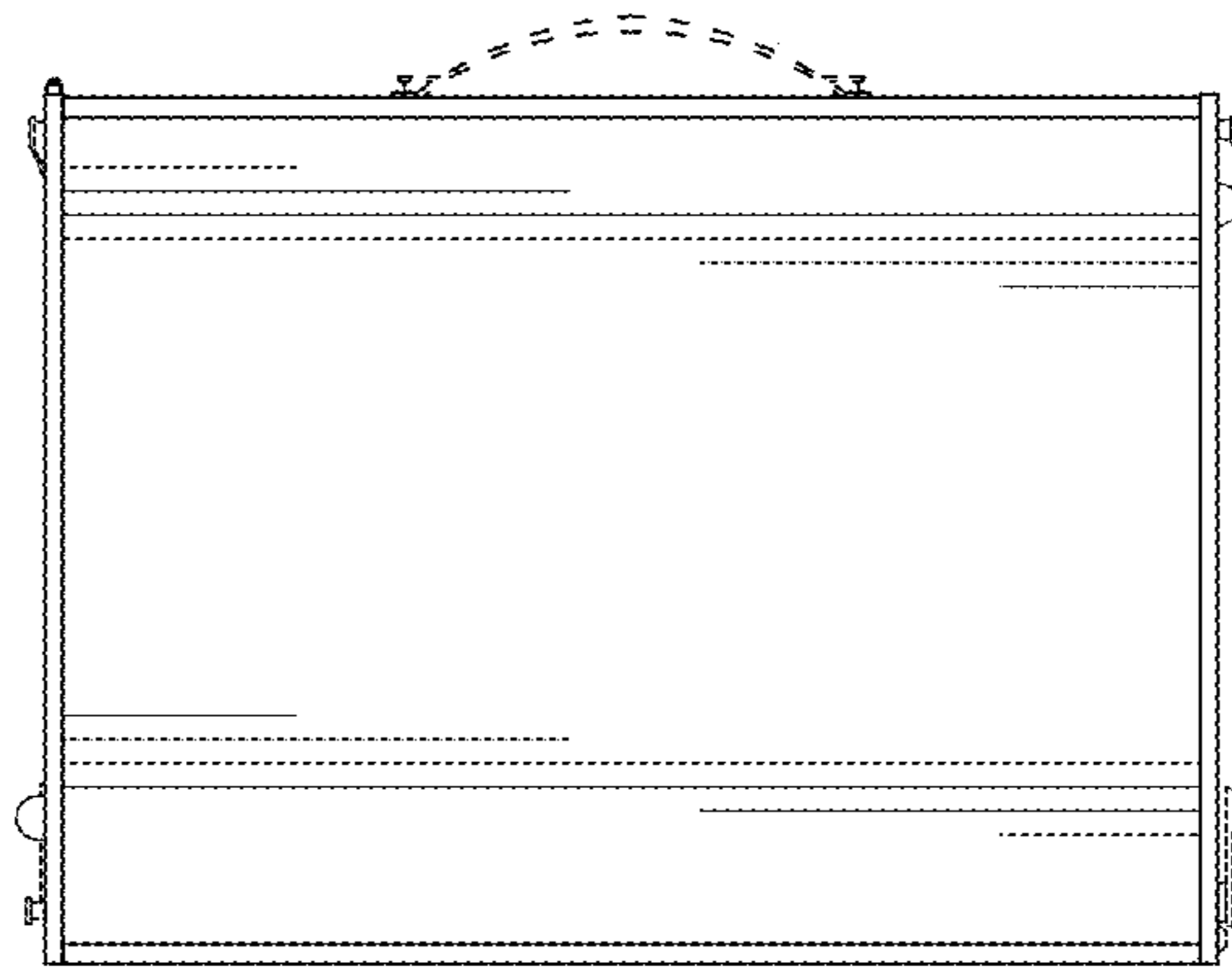


FIG. 9