



US00D970938S

(12) **United States Design Patent** (10) **Patent No.:** **US D970,938 S**
Krewson, Sr. (45) **Date of Patent:** **** Nov. 29, 2022**

- (54) **FOUR TIERED AUTO SETUP BIN**
- (71) Applicant: **Daniel E. Krewson, Sr.**, Sumter, SC
(US)
- (72) Inventor: **Daniel E. Krewson, Sr.**, Sumter, SC
(US)
- (**) Term: **15 Years**
- (21) Appl. No.: **29/831,879**
- (22) Filed: **Mar. 23, 2022**
- (51) **LOC (13) Cl.** **06-06**
- (52) **U.S. Cl.**
USPC **D6/683.1**
- (58) **Field of Classification Search**
USPC D6/672, 673, 675, 682, 682.1, 683,
D6/683.1; D3/304, 314-315, 328
CPC ... B65D 1/22; B65D 1/24; B65D 9/00; B65D
9/06; A47G 29/00; A47G 29/08
See application file for complete search history.

(56) **References Cited**

U.S. PATENT DOCUMENTS

1,821,960	A *	9/1931	Brooks, Jr.	B65D 5/5226 206/745
2,391,285	A *	12/1945	Williamson	A47F 5/112 D6/310
2,713,984	A *	7/1955	Paige	A47F 5/114 D6/683
D256,644	S *	9/1980	Marks	D6/683.1
RE32,668	E *	5/1988	Smith	A47F 5/116 211/132.1
D329,154	S *	9/1992	Waterston	D6/683.1
D358,049	S *	5/1995	Wilson	D6/567
5,711,438	A *	1/1998	Smith	B62B 5/0083 280/47.24
D390,268	S *	2/1998	Stravitz	D19/86
D425,332	S *	5/2000	Buchanan	D6/675.3

6,394,290	B1 *	5/2002	Walsh	A47F 5/114 108/162
D479,660	S *	9/2003	Vinson	D6/300
D479,924	S *	9/2003	Bates	D6/680
D537,301	S *	2/2007	Shaw	D7/641
D597,766	S *	8/2009	Nealon	D6/683
D654,726	S *	2/2012	Nealon	D6/683.1
9,211,021	B2 *	12/2015	Smith	A47F 5/116
D880,205	S *	4/2020	Rahbar	D6/675.3
D899,828	S *	10/2020	Krewson, Sr.	D6/683.1

* cited by examiner

Primary Examiner — Kelley A Donnelly

(74) Attorney, Agent, or Firm — Melissa B. Neely

(57) **CLAIM**

I claim, the ornamental design for a four tiered auto setup bin, as shown and described.

DESCRIPTION

FIG. 1 is a top front perspective view of the four tiered auto setup bin showing my new design.

FIG. 2 is a front perspective view of the four tiered auto setup bin.

FIG. 3 is a back perspective view of the four tiered auto setup bin.

FIG. 4 is a side perspective view of the four tiered auto setup bin.

FIG. 5 is a top perspective view of the four tiered auto setup bin.

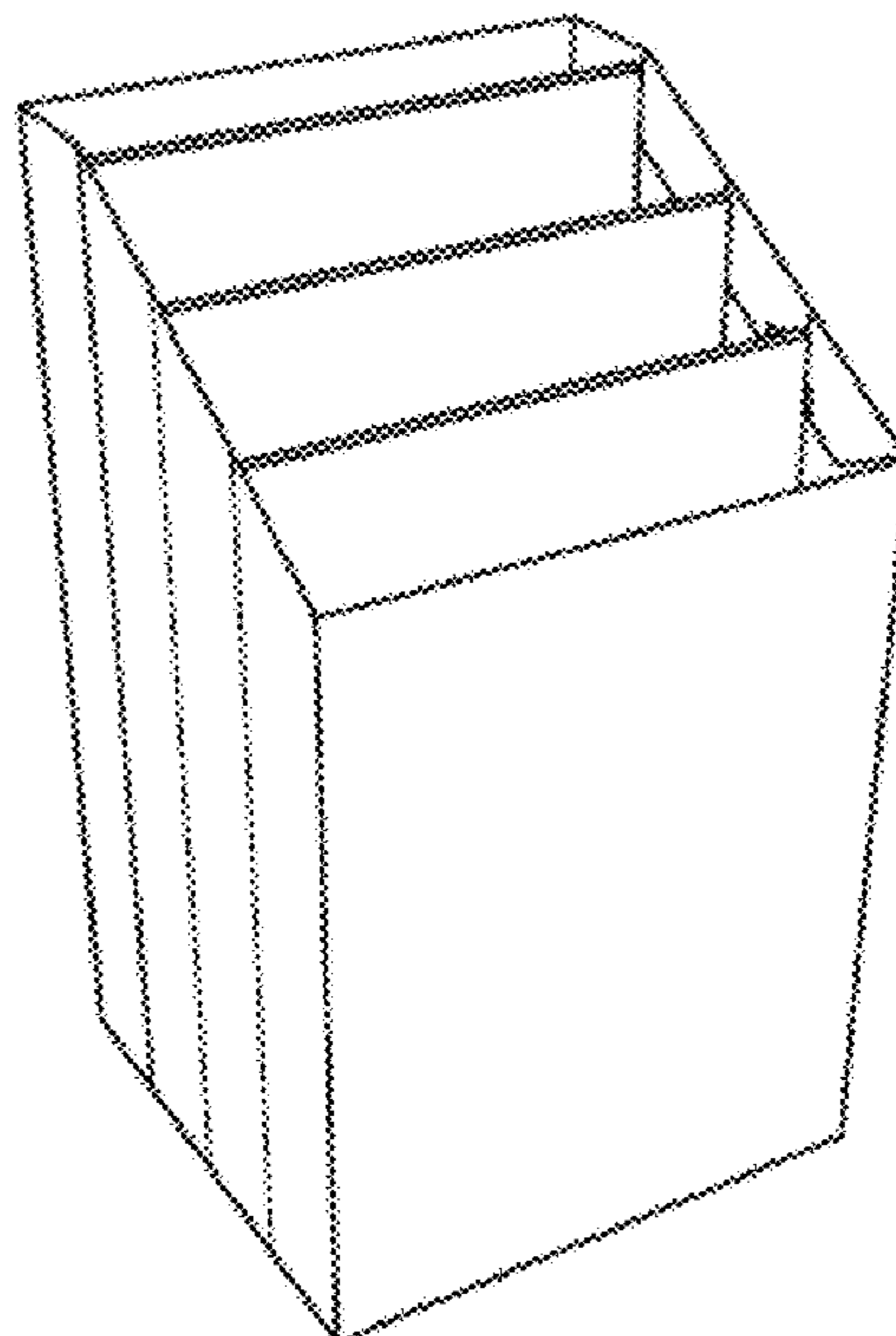
FIG. 6 is a bottom perspective view of the four tiered auto setup bin.

FIG. 7 is a view of the four tiered auto setup bin in its folded configuration for shipping and storage.

FIG. 8 is a view of the four tiered auto setup bin partially unfolded; and,

FIG. 9 is a top back perspective view of the four tiered auto setup bin.

1 Claim, 5 Drawing Sheets



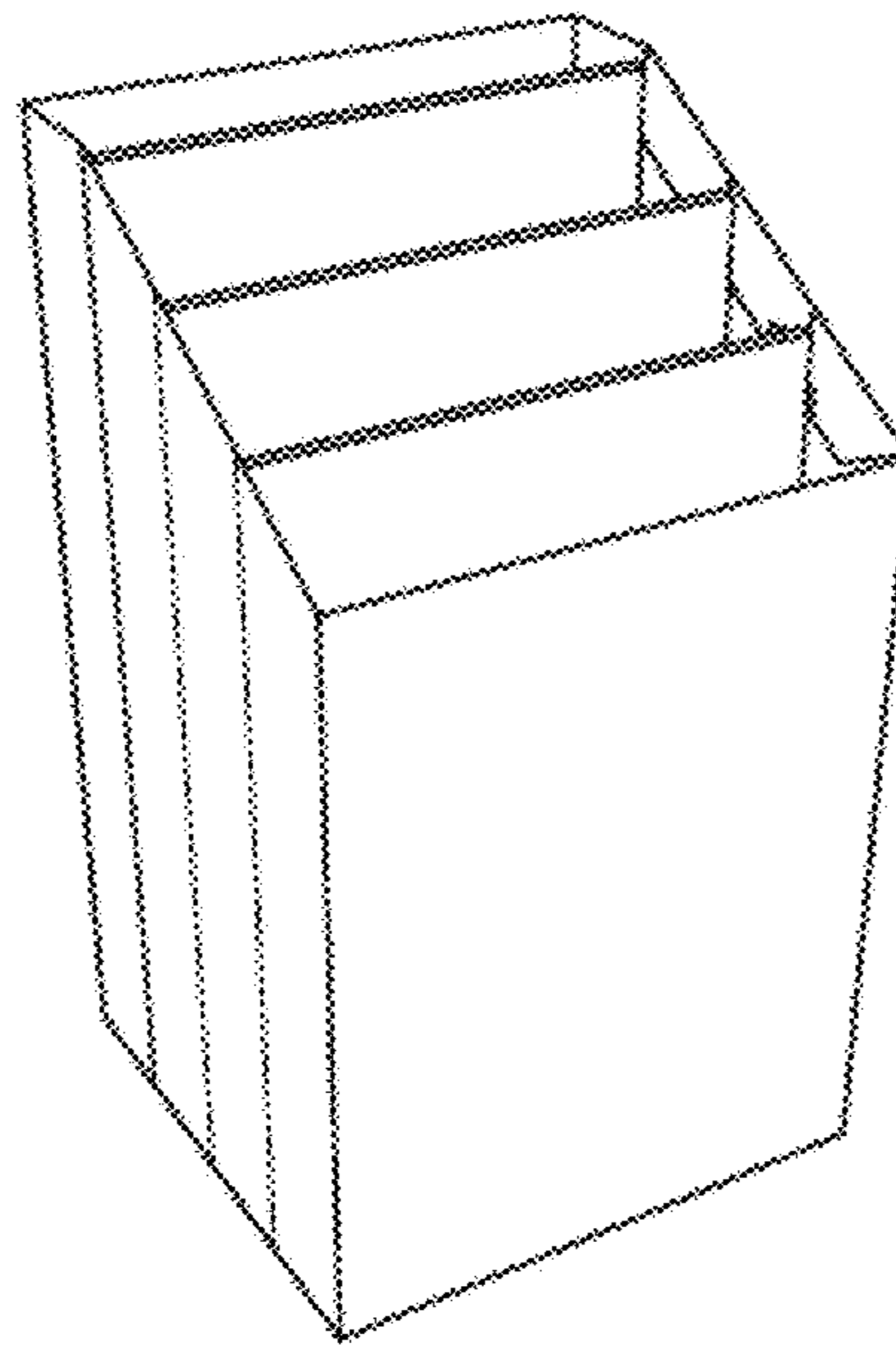


FIG. 1

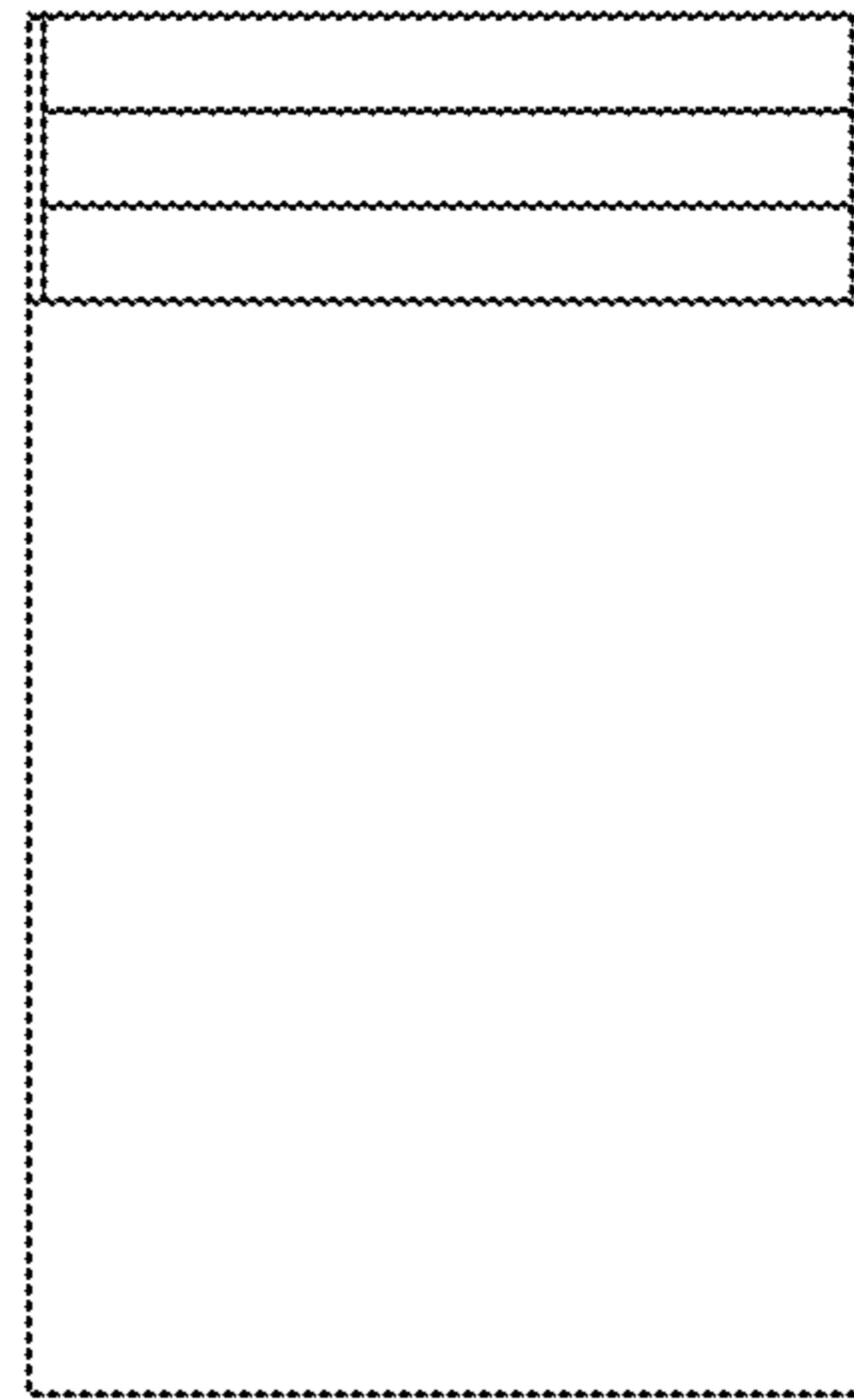


FIG. 2

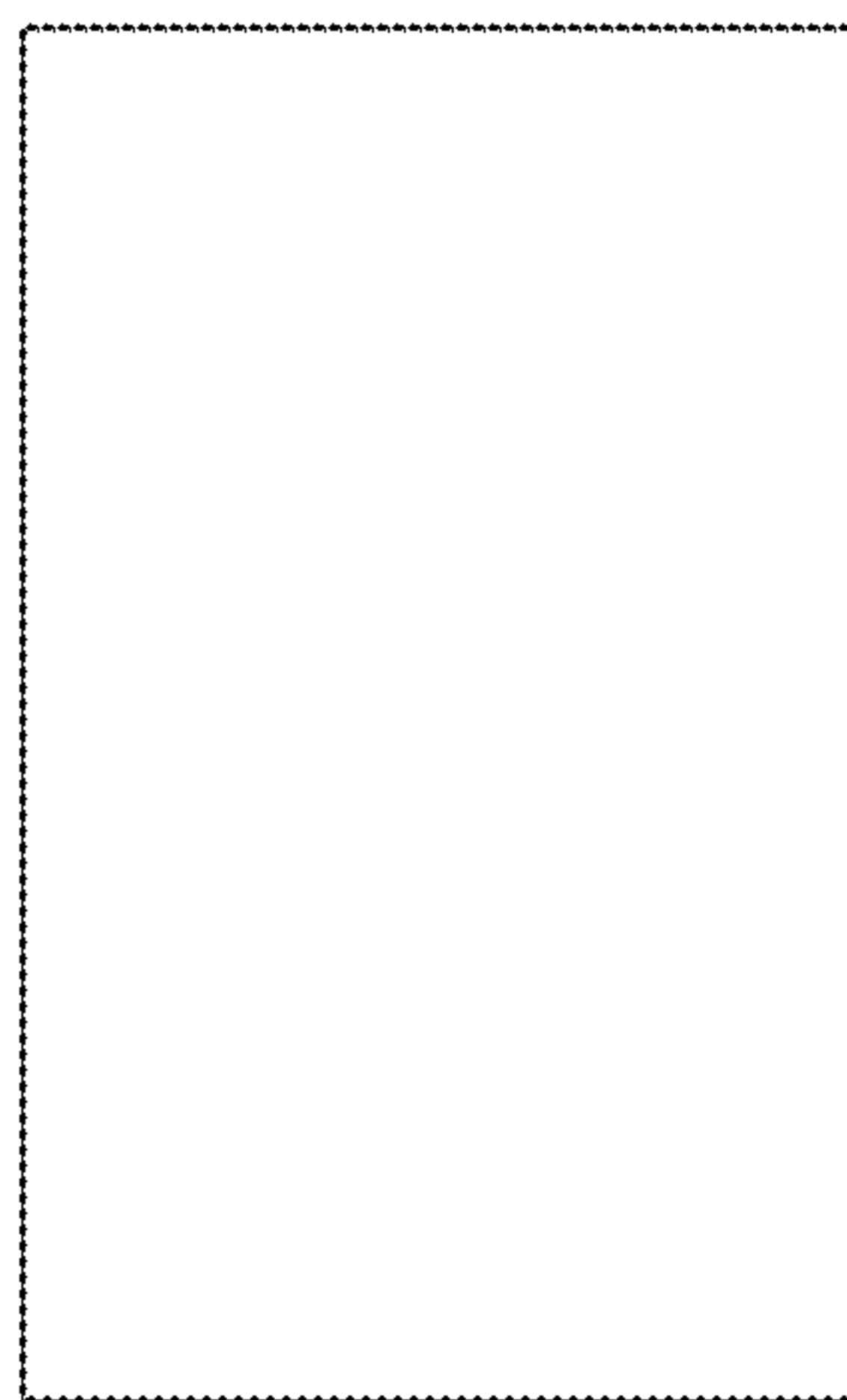


FIG. 3

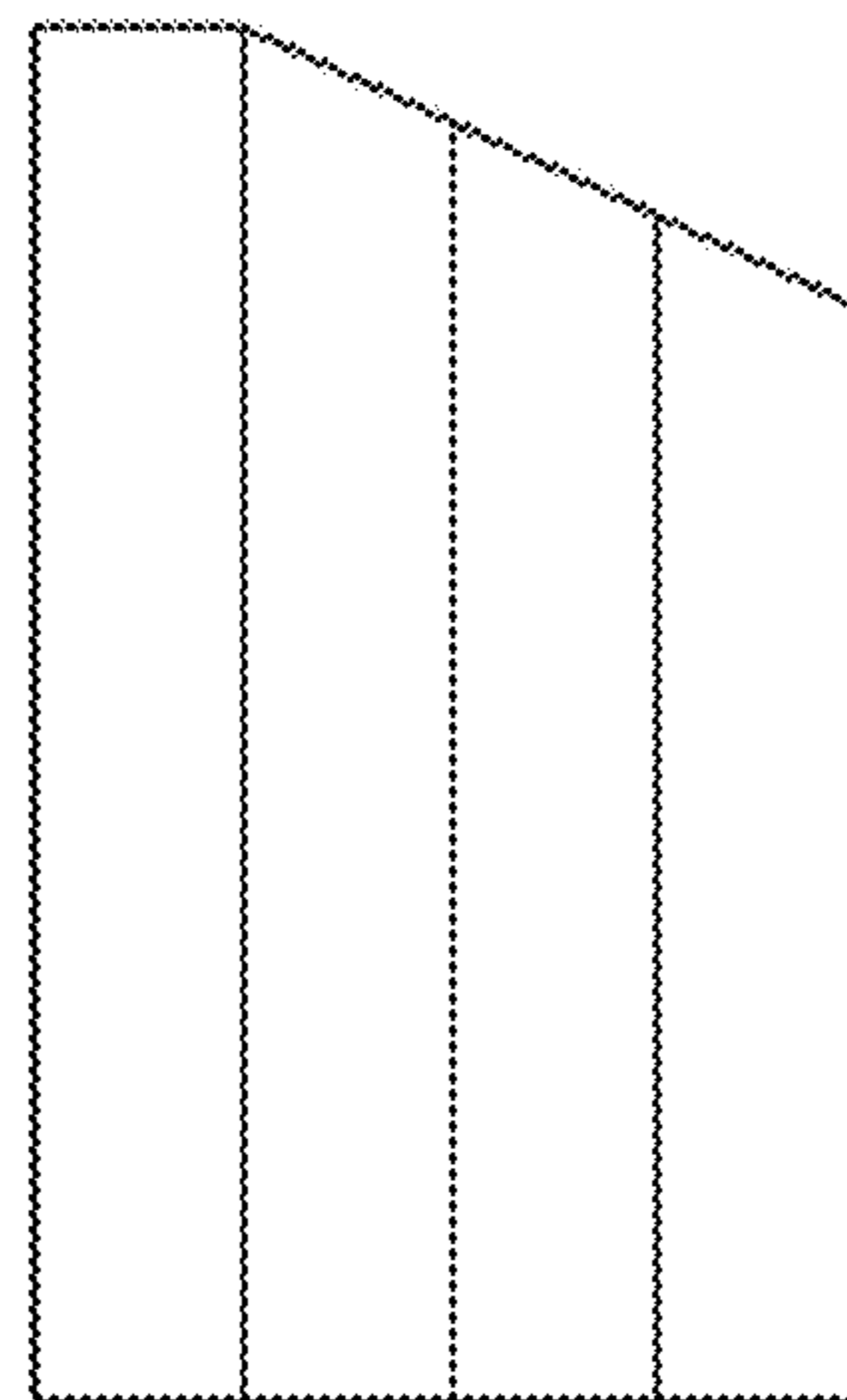


FIG. 4

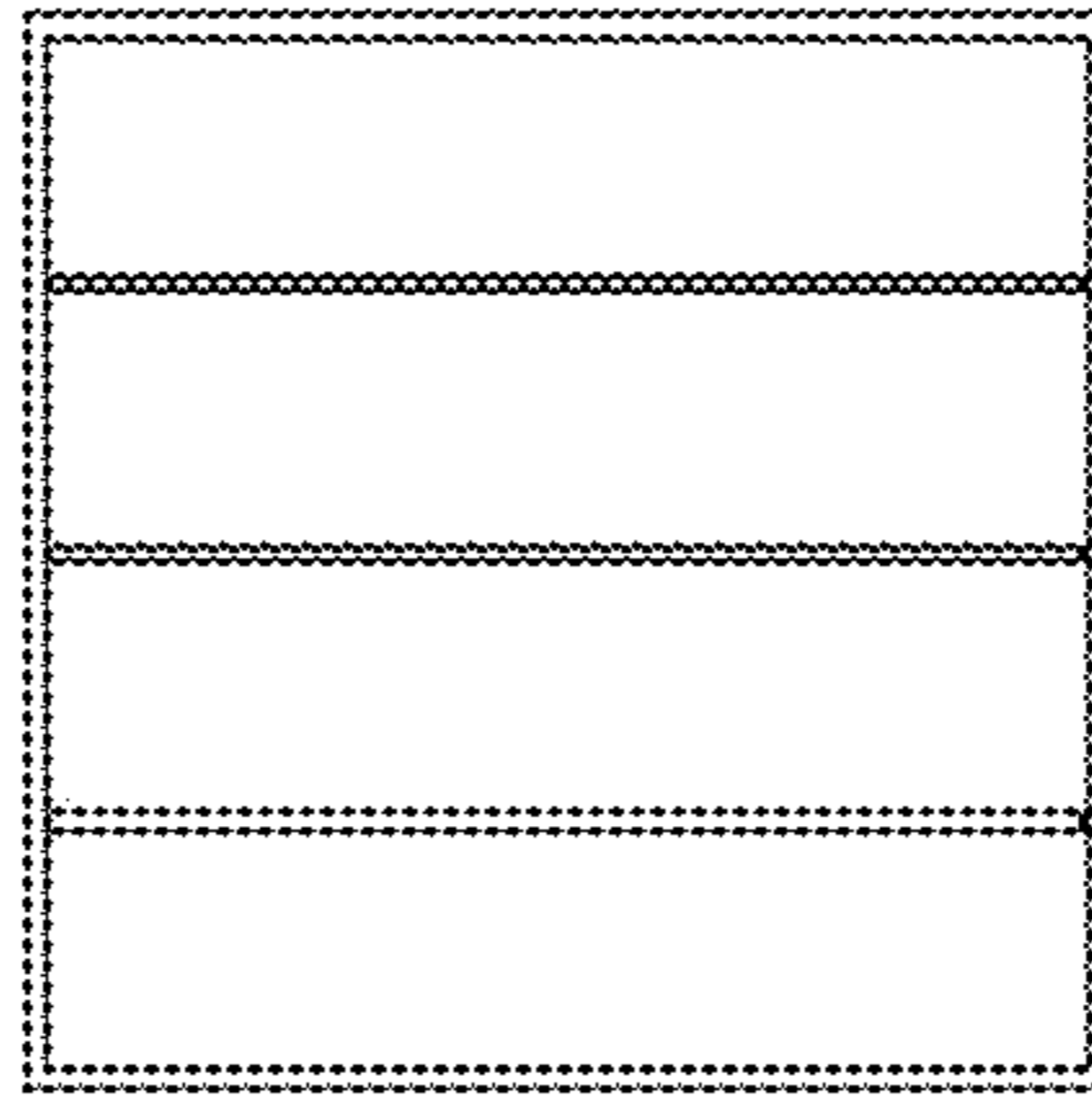


FIG. 5

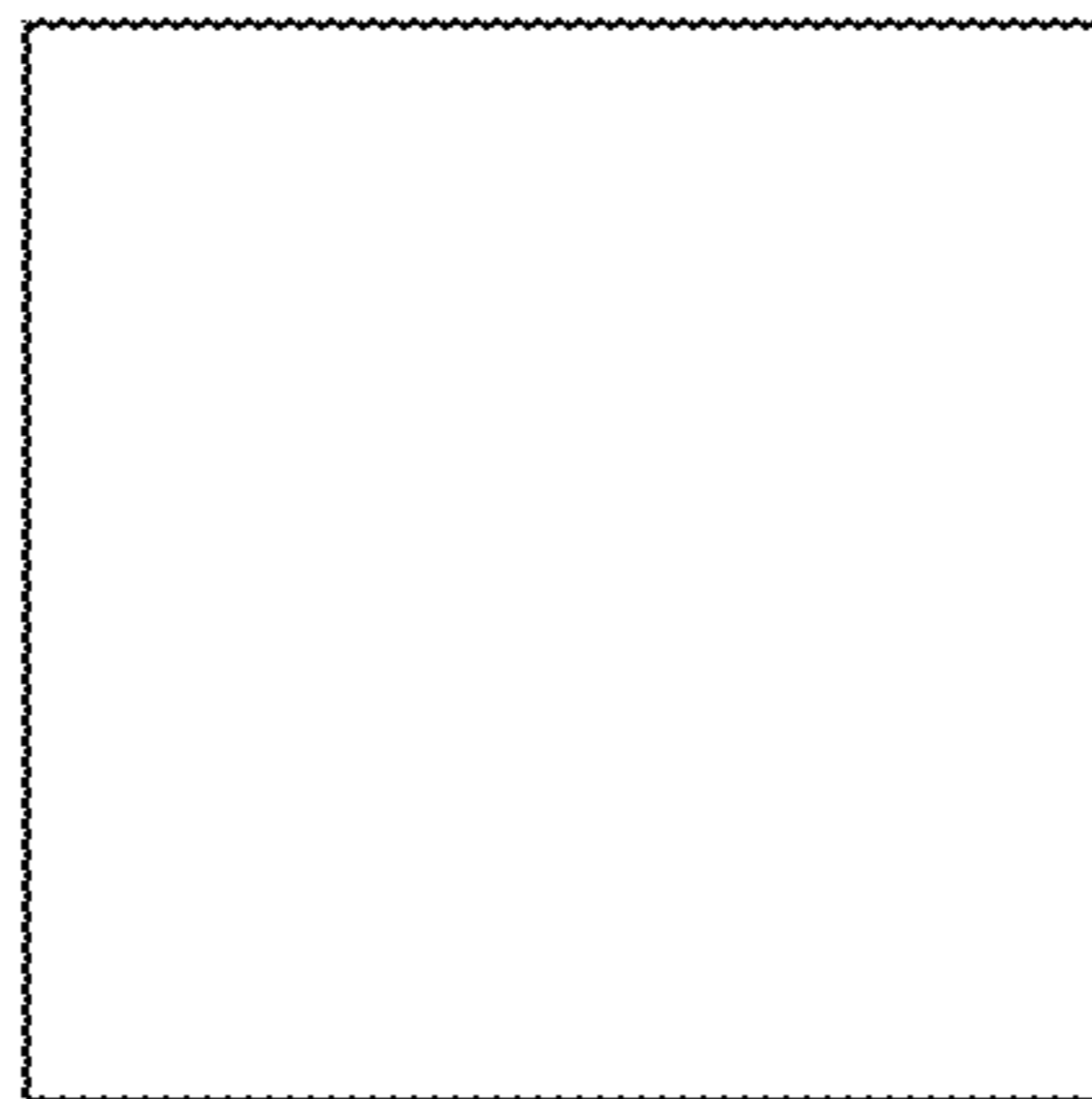


FIG. 6

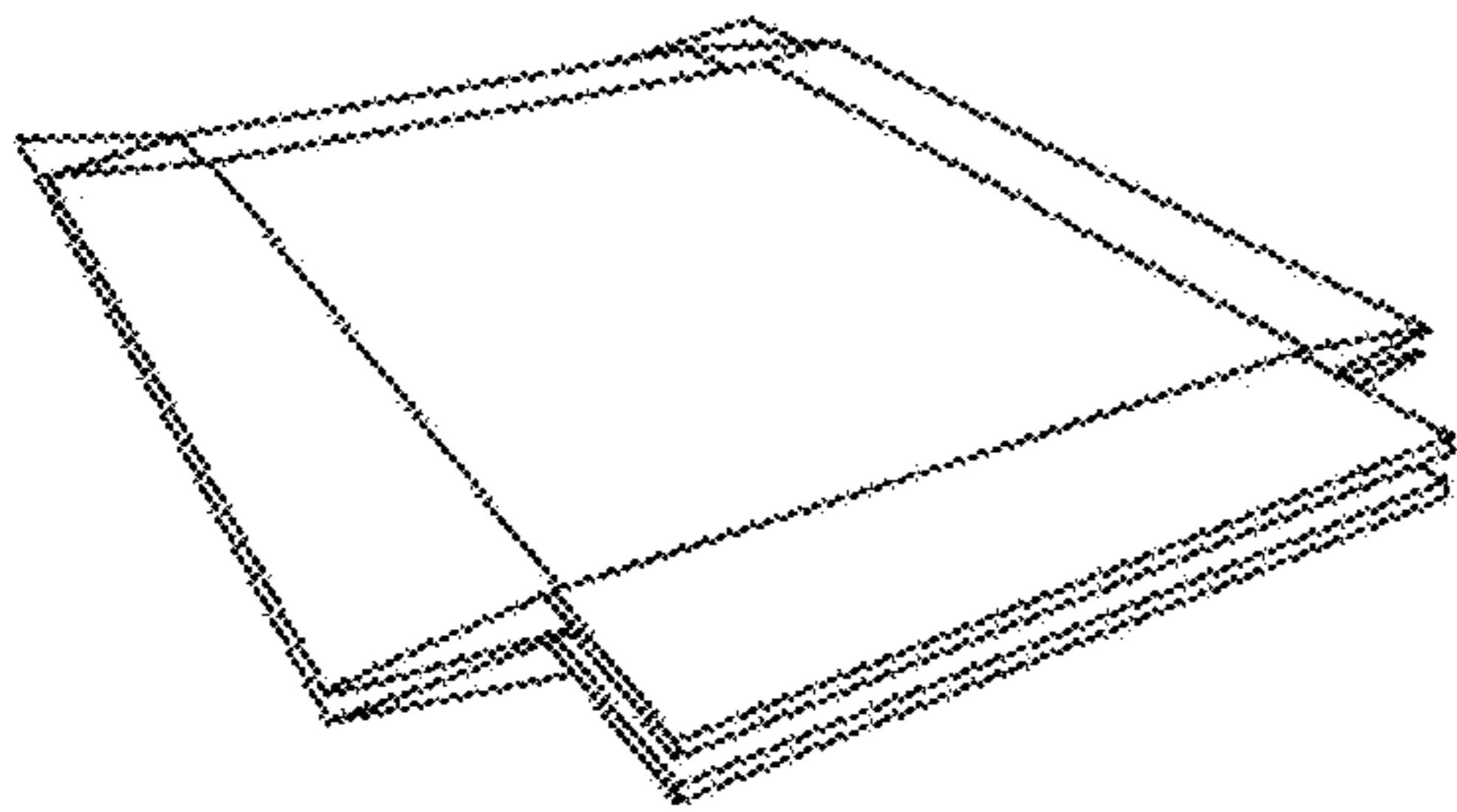


FIG. 7

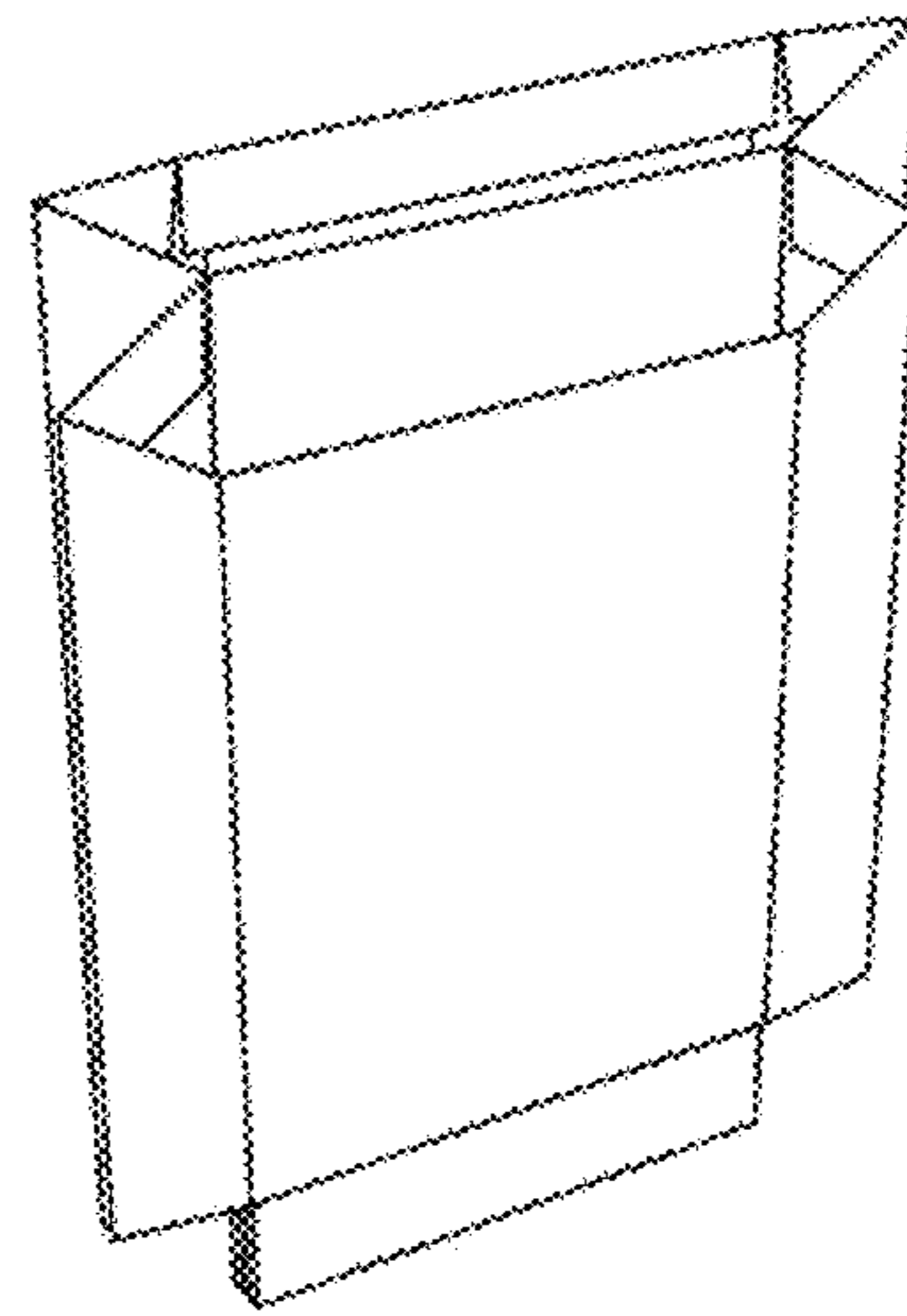


FIG. 8

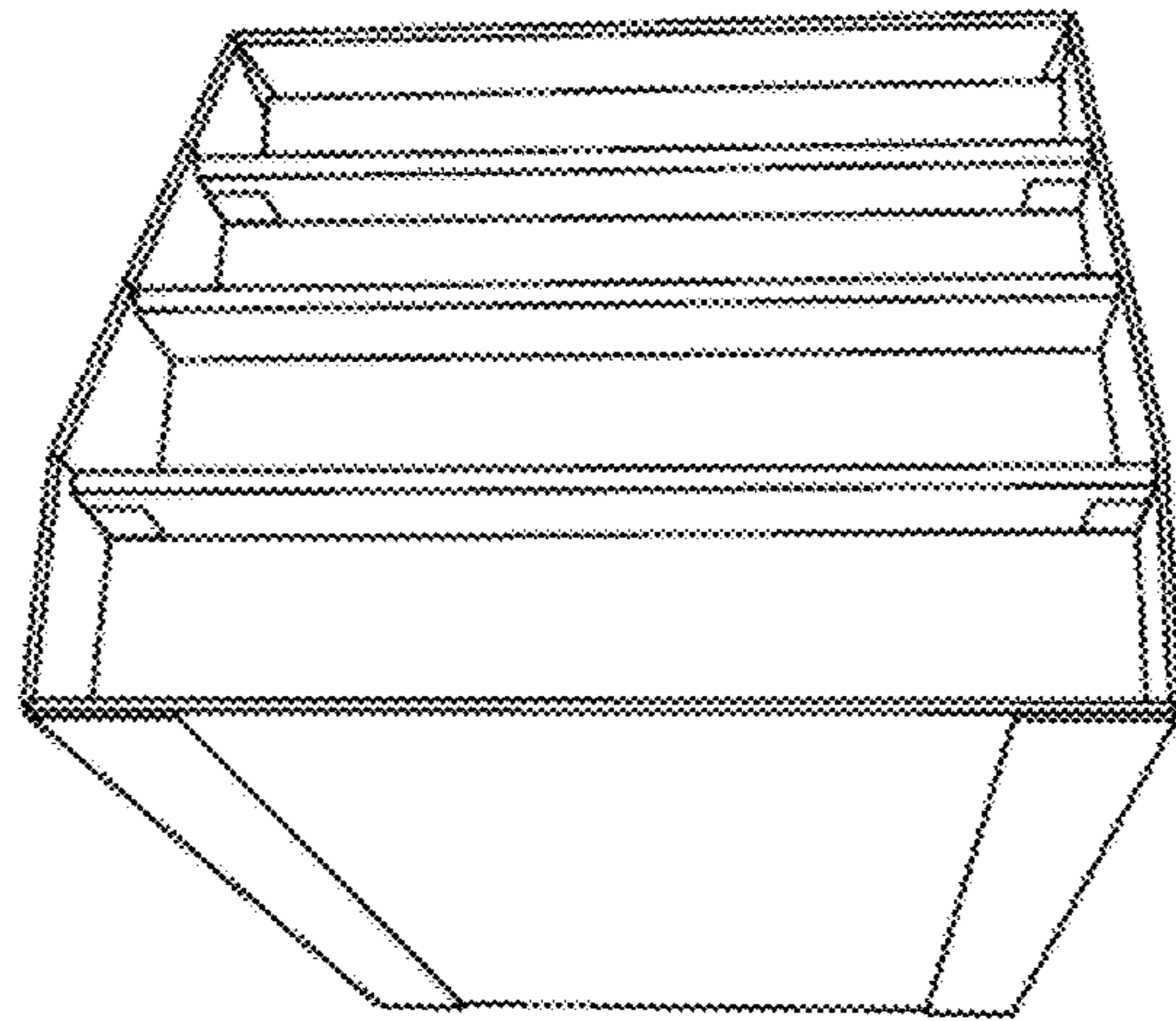


FIG. 9