



US00D970936S

(12) **United States Design Patent** (10) **Patent No.:** **US D970,936 S**
Huang (45) **Date of Patent:** **** Nov. 29, 2022**

(54) **STORAGE RACK**
(71) Applicant: **Qingxia Huang**, Putian (CN)
(72) Inventor: **Qingxia Huang**, Putian (CN)
(**) Term: **15 Years**
(21) Appl. No.: **29/830,071**

D485,449 S * 1/2004 Missry D6/405
D497,497 S * 10/2004 Harwanko D6/678.1
D504,789 S * 5/2005 Hayes
D521,303 S * 5/2006 Yu D6/630
D532,623 S * 11/2006 Tsai D6/675.5
D542,058 S * 5/2007 Clucas D6/675.2
D648,969 S * 11/2011 Cittadino D6/675
D650,203 S * 12/2011 Klein D6/677.1
D716,083 S * 10/2014 Hsu D6/678.4

(Continued)

(22) Filed: **Mar. 10, 2022**
(51) **LOC (13) Cl.** **06-04**
(52) **U.S. Cl.**
USPC **D6/681.2**
(58) **Field of Classification Search**
USPC D6/672, 675, 675.5, 681, 681.1, 681.2,
D6/685, 691.1, 691.3, 691.6, 692.1,
D6/692.4, 698
CPC A47B 2009/006; A47B 9/14; A47B
2013/006; A47B 21/02; A47B 47/0058;
A47B 47/0083; A47B 47/02; A47B
47/021; A47B 55/02; A47F 5/0056; A47F
5/01; A47F 5/10; A47F 5/13; A47F 7/02;
A47F 7/142

See application file for complete search history.

(56) **References Cited**

U.S. PATENT DOCUMENTS

D248,798 S * 8/1978 Driscoll D6/691.3
D292,764 S * 11/1987 Kester D6/675.2
D365,700 S * 1/1996 Lee D6/403
D371,919 S * 7/1996 Konecny D6/678.1
D384,222 S * 9/1997 Cheng D6/403
D402,486 S * 12/1998 Wada D6/678.1
D425,723 S * 5/2000 Hurt D6/684
D456,640 S * 5/2002 Harwanko D6/675.1
D462,201 S * 9/2002 Palmer D6/675.2
D471,381 S * 3/2003 Yamaguchi D6/675.2
D477,933 S * 8/2003 Wood D6/675.1
D478,735 S 8/2003 Sellers
D479,776 S 9/2003 Rosenberg
D485,092 S * 1/2004 Rosen D6/675.2

OTHER PUBLICATIONS

Amazon Basics Plant Stand, amazon.com, https://www.amazon.com/AmazonBasics-WK830107-BK-Plant-Stand-Black/dp/B07TTTGQKZ?ref_ast_sto_dp (Year: 2020).*

(Continued)

Primary Examiner — Steven J Cxyz

(74) *Attorney, Agent, or Firm* — Rumit Ranjit Kanakia

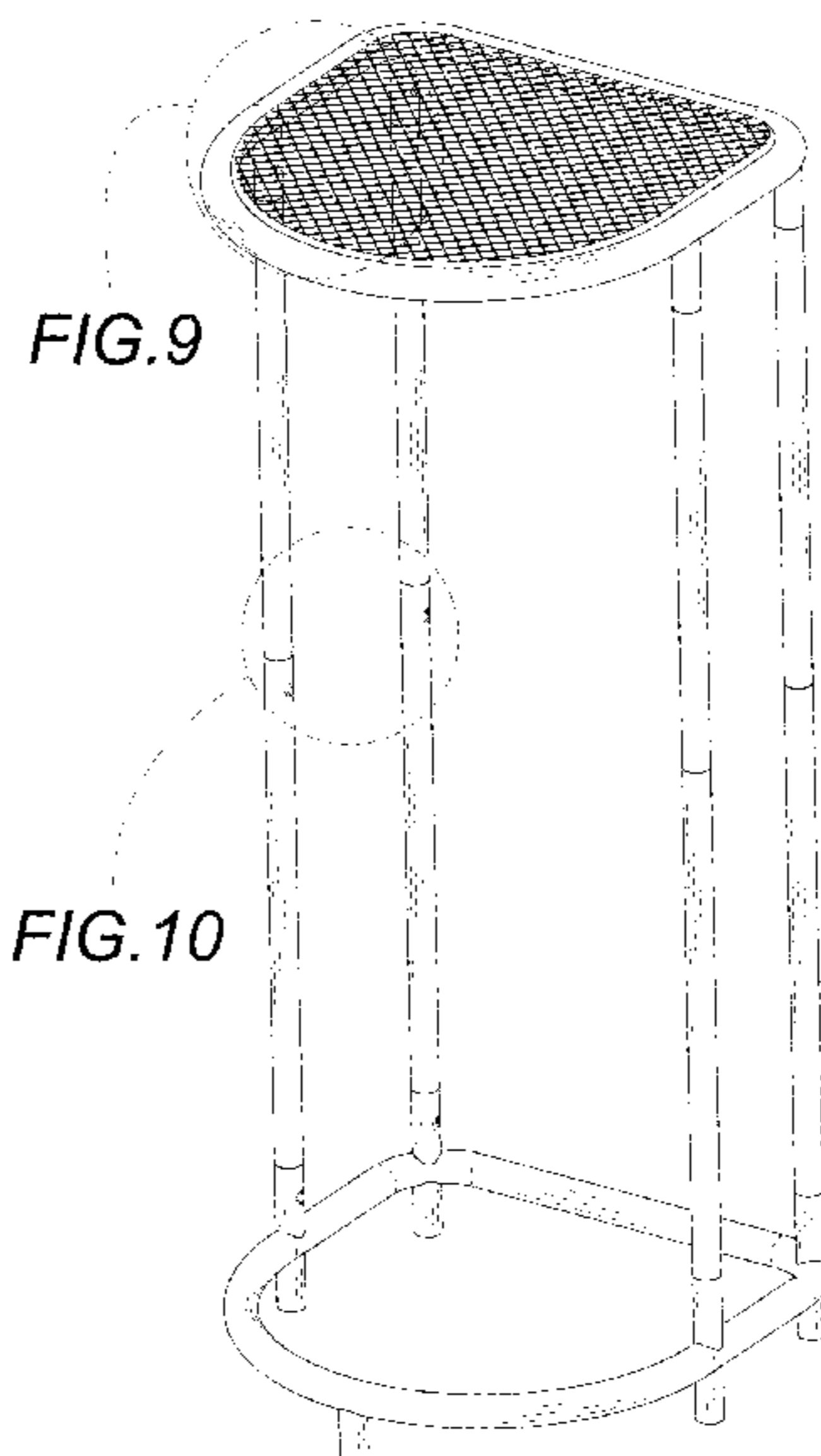
(57) **CLAIM**

The ornamental design for a storage rack, as shown and described.

DESCRIPTION

FIG. 1 is a perspective view of a storage rack showing my new design;
FIG. 2 is another perspective view thereof;
FIG. 3 is a front elevational view thereof;
FIG. 4 is a rear elevational view thereof;
FIG. 5 is a left elevational view thereof;
FIG. 6 is a right side view thereof;
FIG. 7 is a top side view thereof;
FIG. 8 is a bottom plan view thereof;
FIG. 9 is a partial enlarged view of FIG. 1; and,
FIG. 10 is a partial enlarged view of FIG. 1.
The broken lines in the figures are for the purposes of illustrating portions of the storage rack, which form no part of the claimed design.

1 Claim, 9 Drawing Sheets



(56)

References Cited

U.S. PATENT DOCUMENTS

D724,357 S	3/2015	Lim	
D742,664 S *	11/2015	Hsu	D6/675.5
D743,708 S *	11/2015	Cohen	D6/349
D750,403 S *	3/2016	Polidoros	D6/691.6
D785,979 S *	5/2017	Snider	D6/675.1
D814,217 S *	4/2018	Clayton	D6/678.1
D815,470 S *	4/2018	Kraemer	D6/675.2
D825,235 S *	8/2018	Clayton	D6/678.1
D833,764 S *	11/2018	Anastassiades	D6/349
D853,763 S *	7/2019	Williams	D6/675.2
D876,864 S *	3/2020	He	D6/692.6
D883,719 S	5/2020	Li	
D887,749 S	6/2020	Ringefelt	
D898,406 S *	10/2020	Lawson	D6/405
D908,408 S *	1/2021	Sabounjian	D6/678.4
D921,404 S *	6/2021	Kurlander	D6/678.4
D950,281 S *	5/2022	He	D6/675.3
D956,457 S *	7/2022	Klein	D6/675.5
D961,758 S *	8/2022	von Holtzendorff-Fehling	D13/101
D962,581 S *	8/2022	Cao	D34/21
D963,367 S *	9/2022	Liang	D6/675.2

OTHER PUBLICATIONS

Better Homes & Gardens Plant Stand, walmart.com, <https://www.walmart.com/ip/Better-Homes-Gardens-15-5-x-15-5-x-21-8-Black-Wood-and-Metal-Plant-Stand/649009269> (Year: 2020).*

* cited by examiner

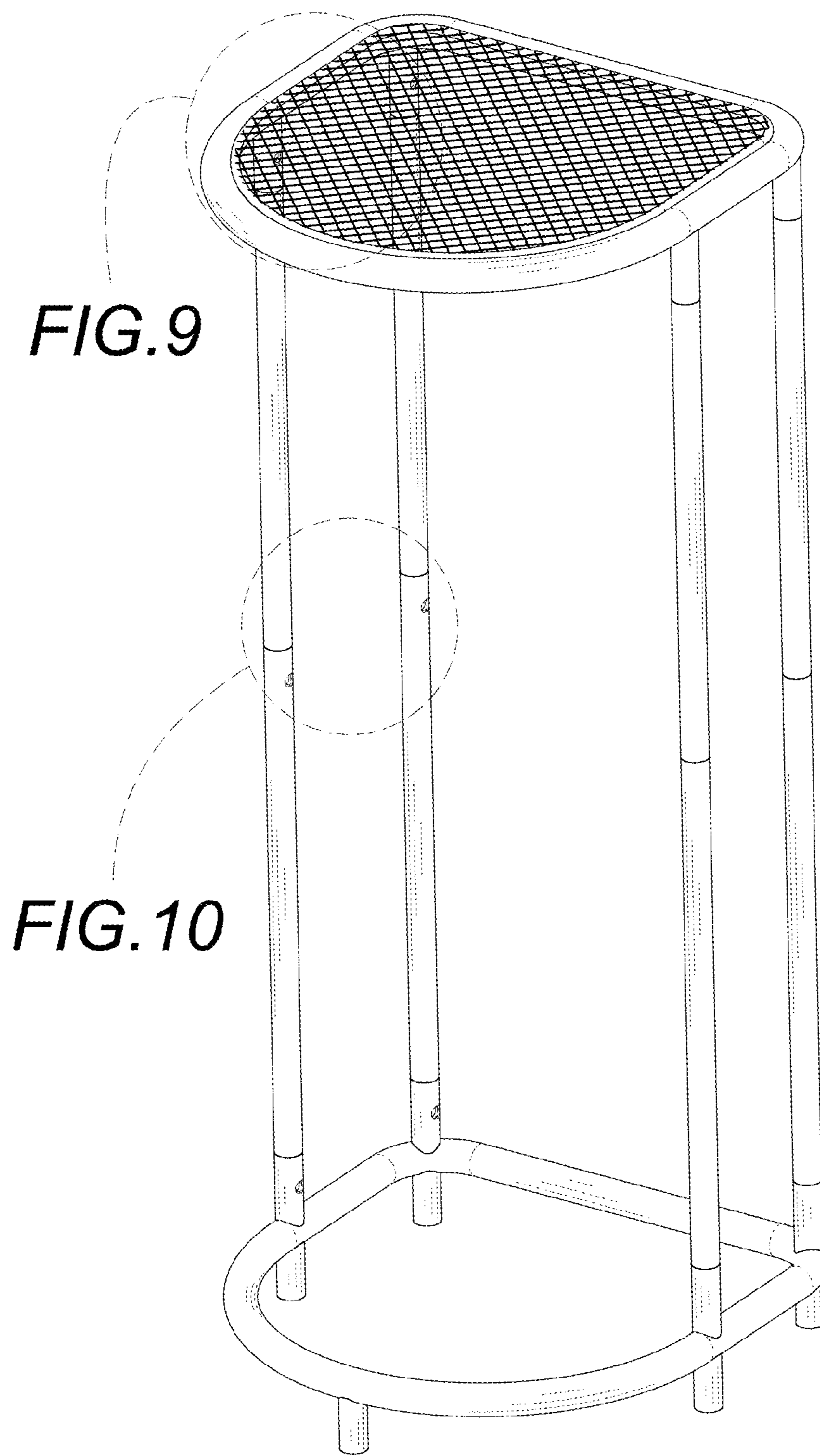


FIG. 1

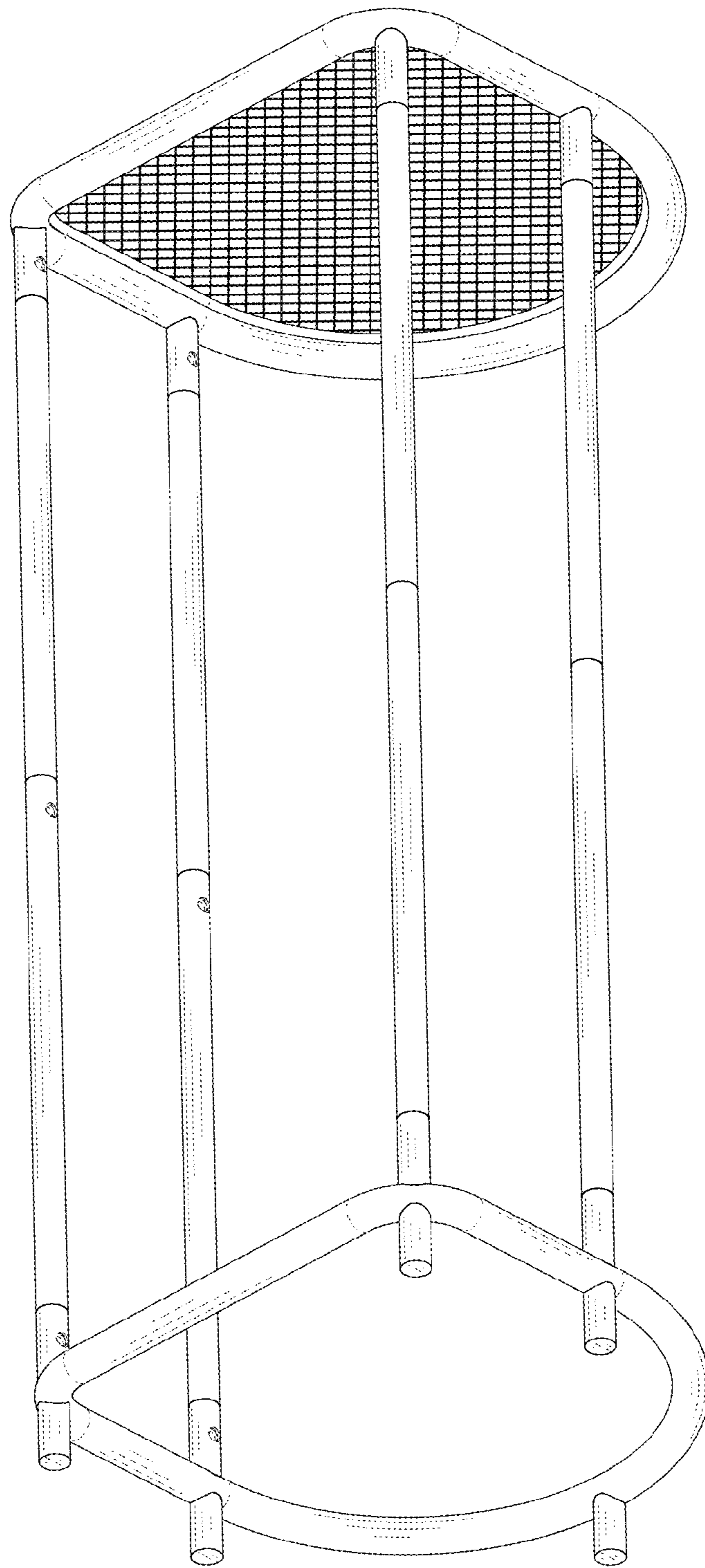


FIG. 2

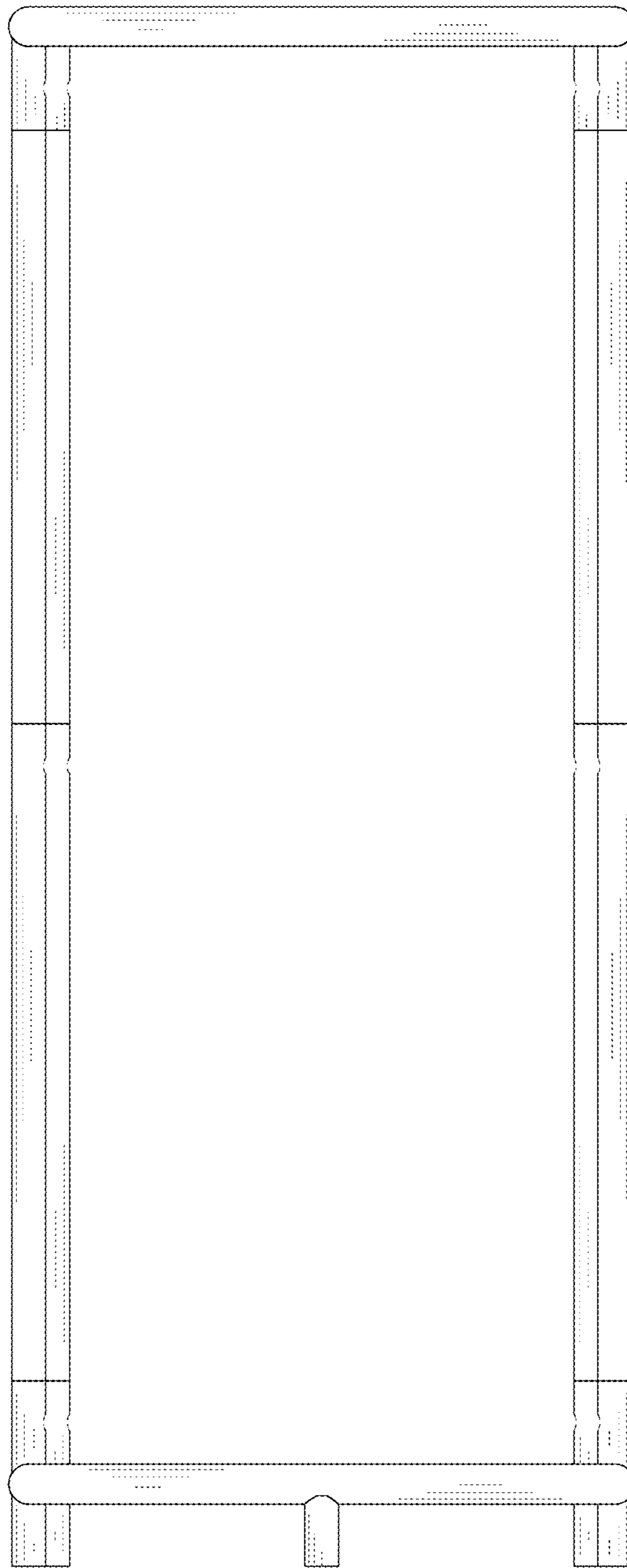


FIG. 3

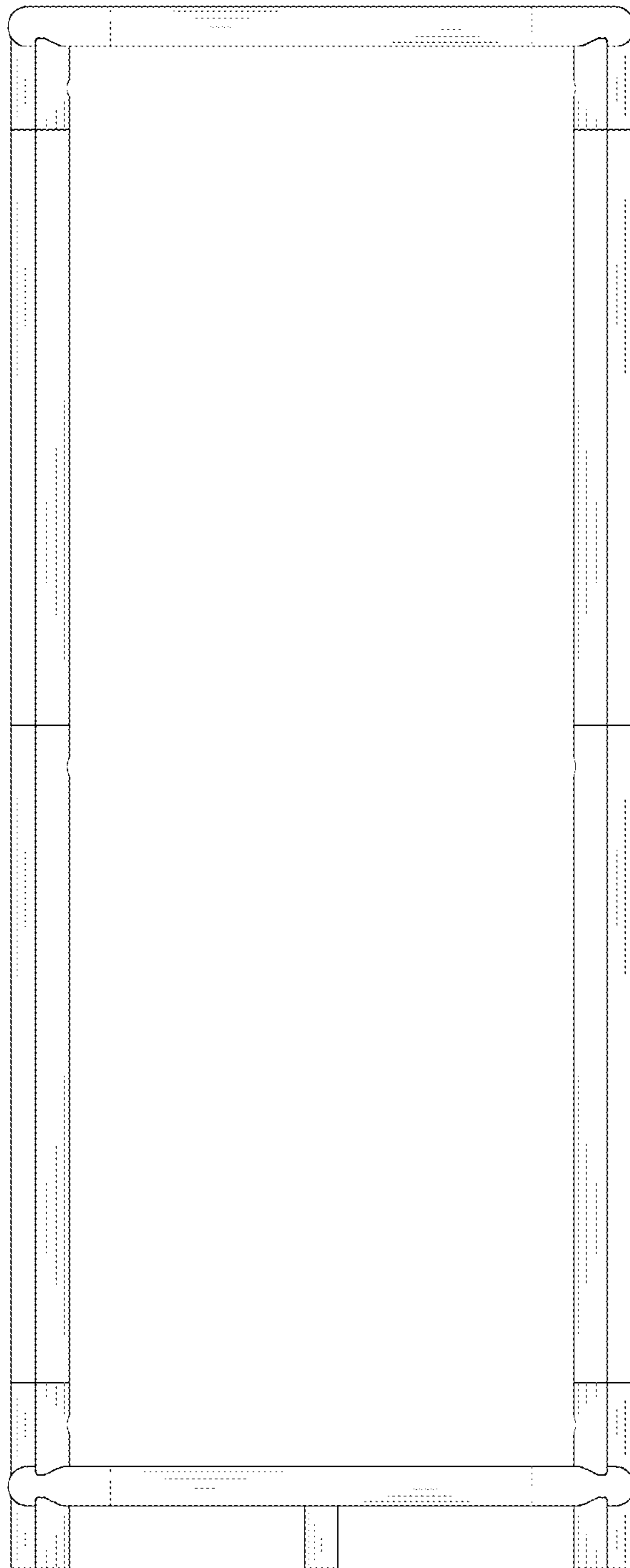


FIG. 4

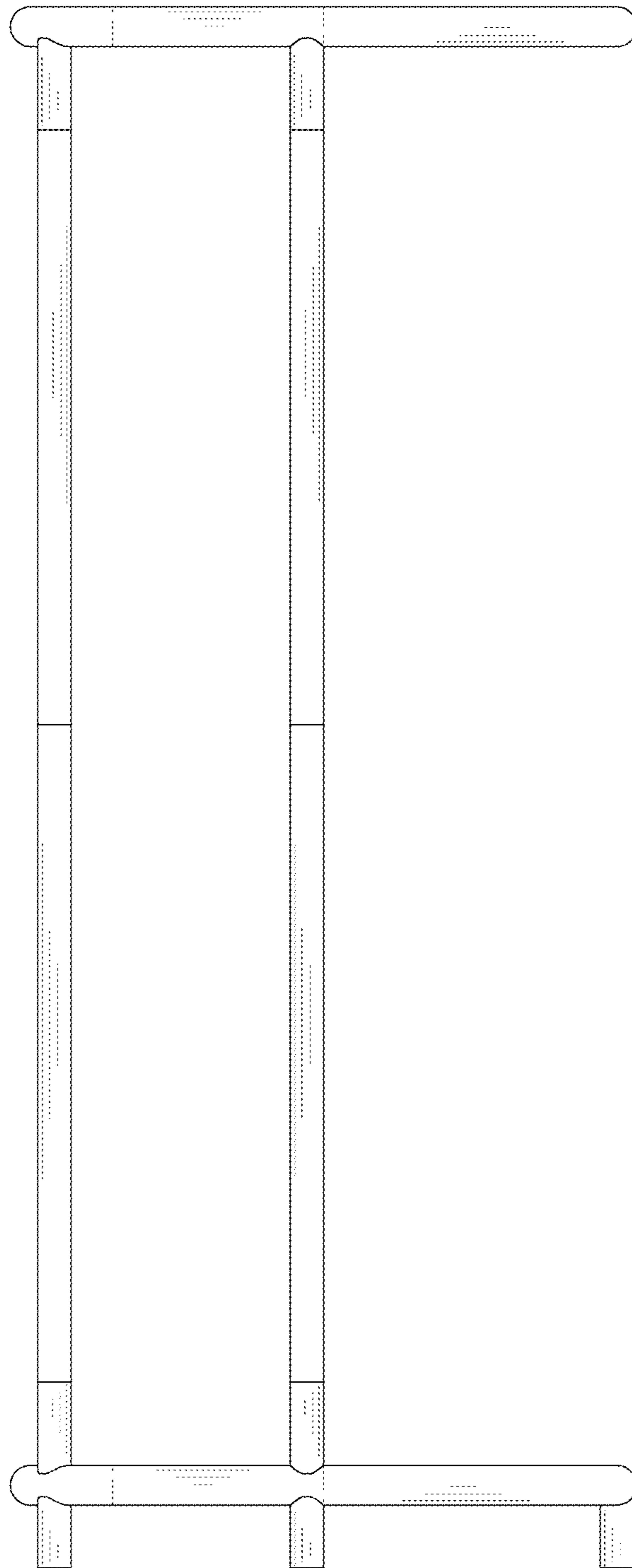


FIG. 5

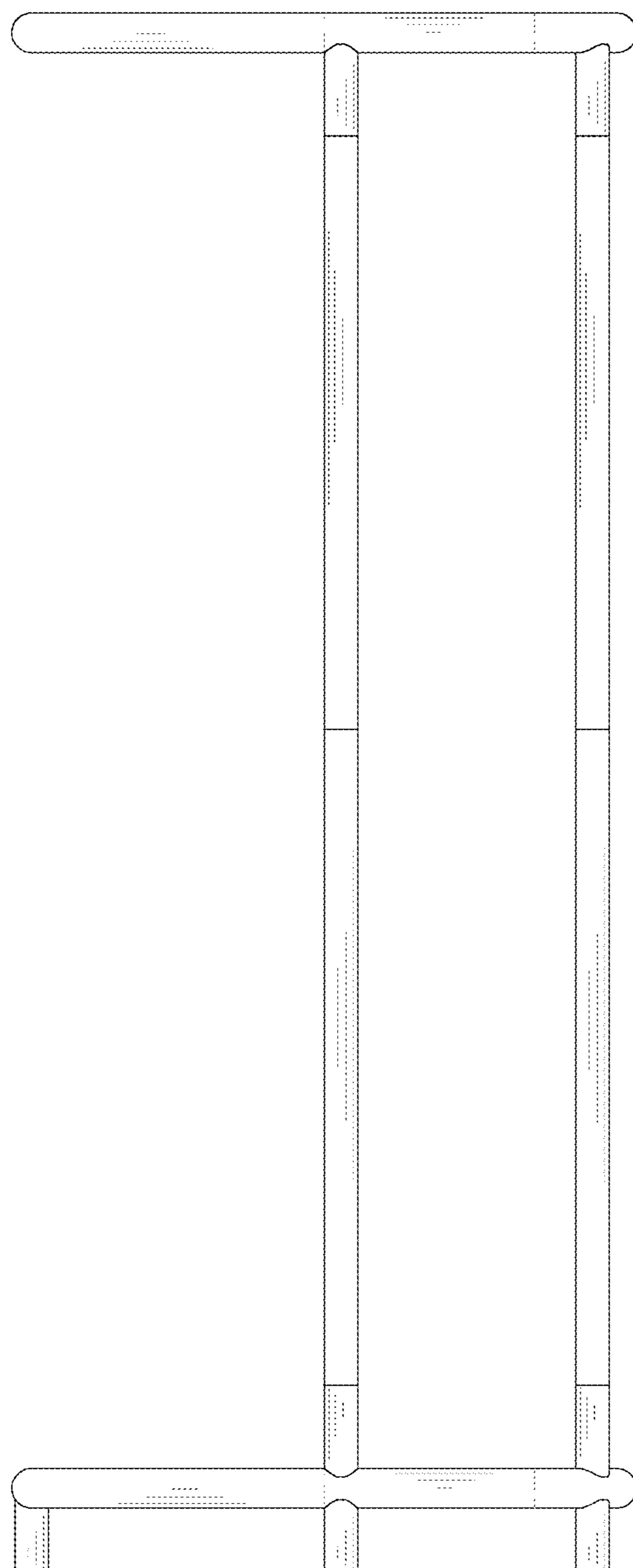


FIG. 6

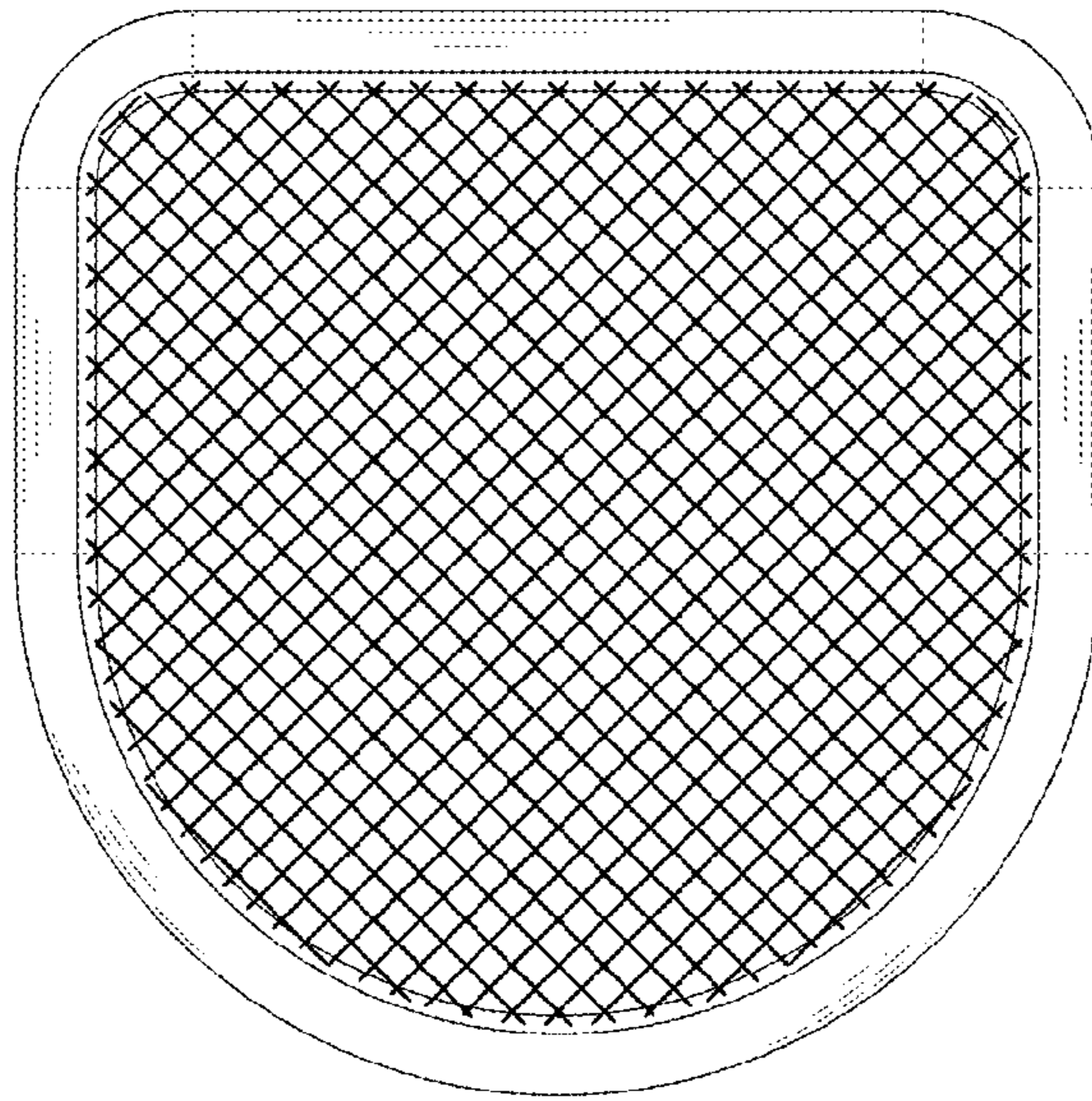


FIG. 7

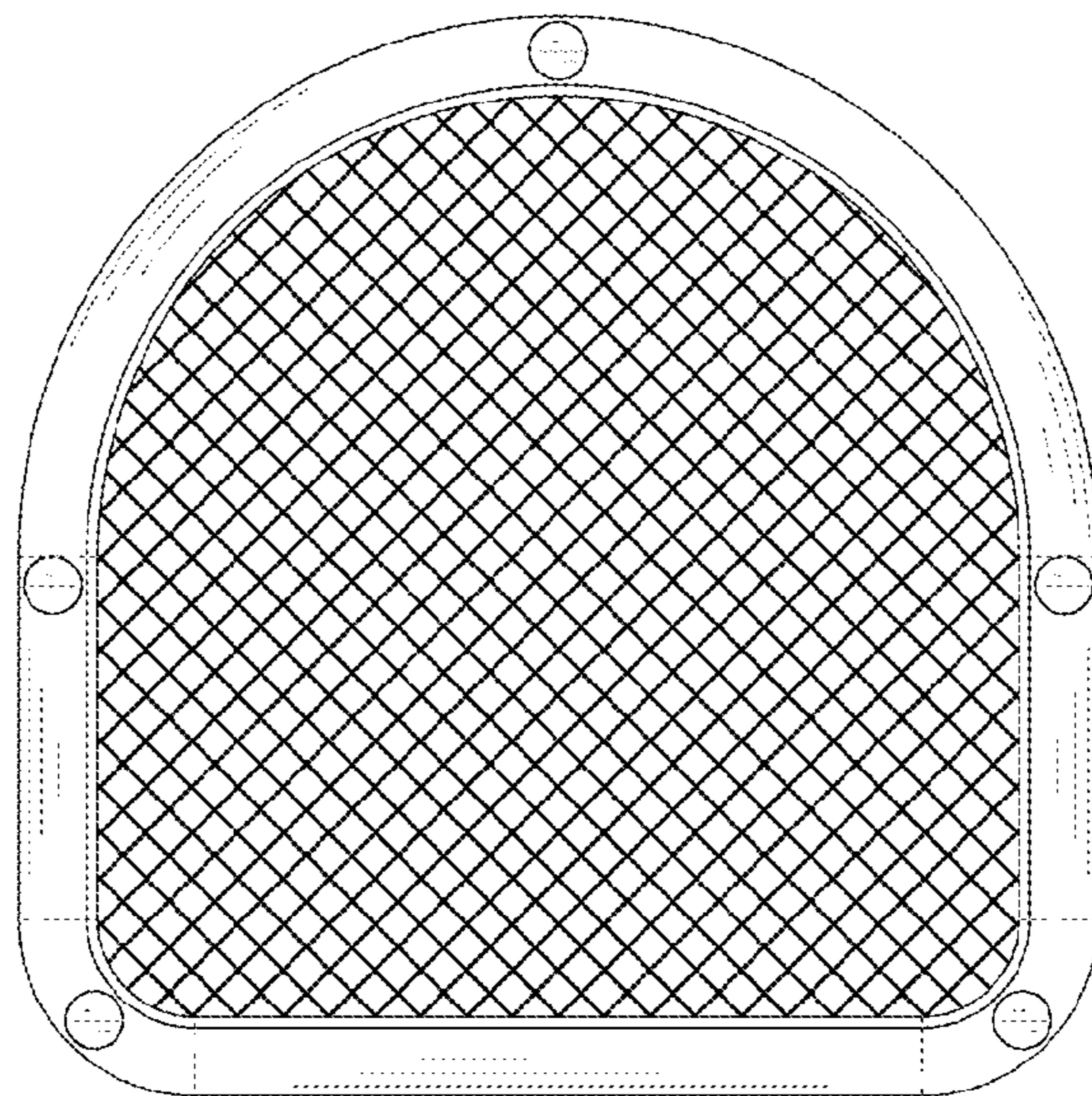


FIG. 8

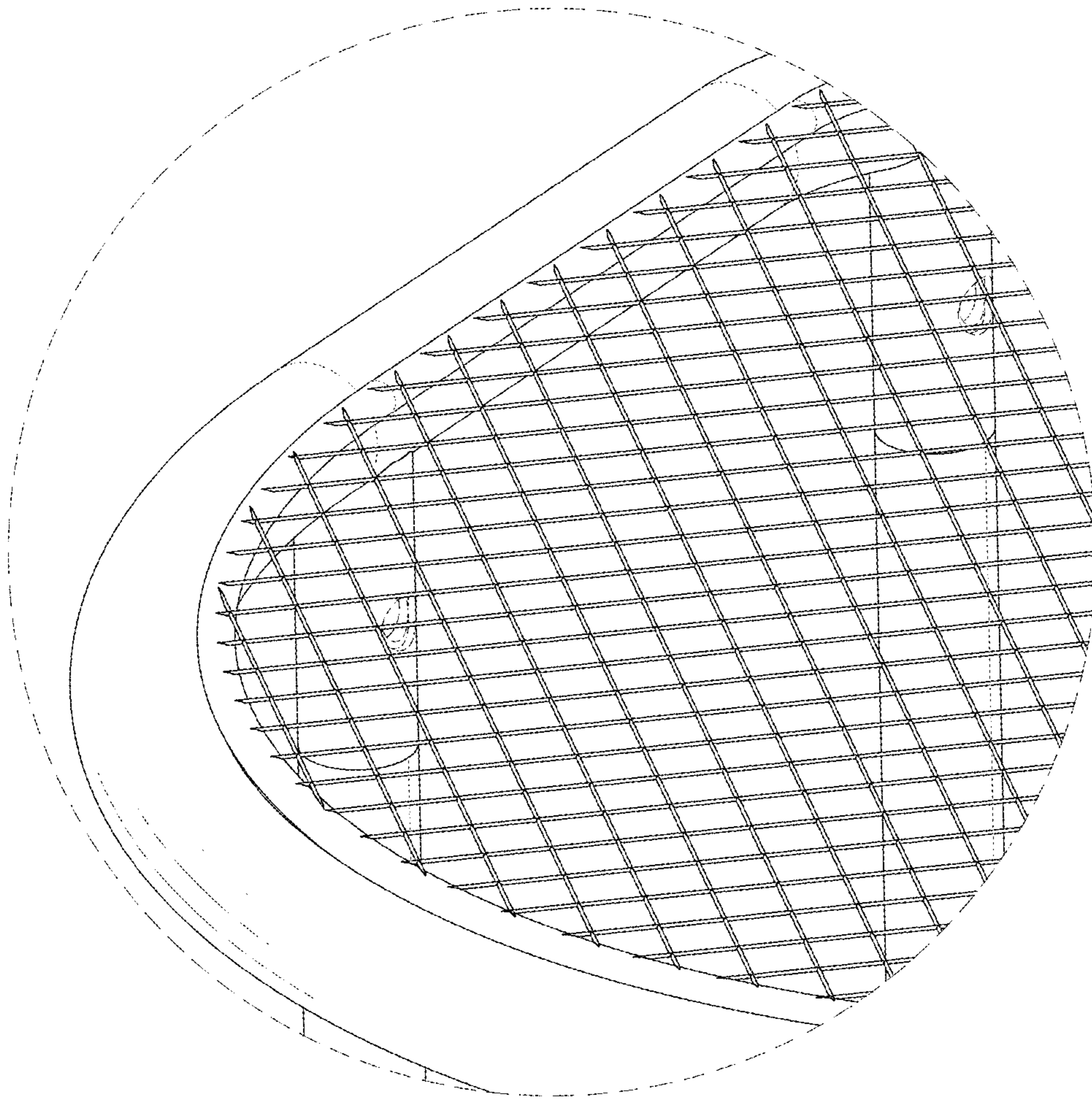


FIG. 9

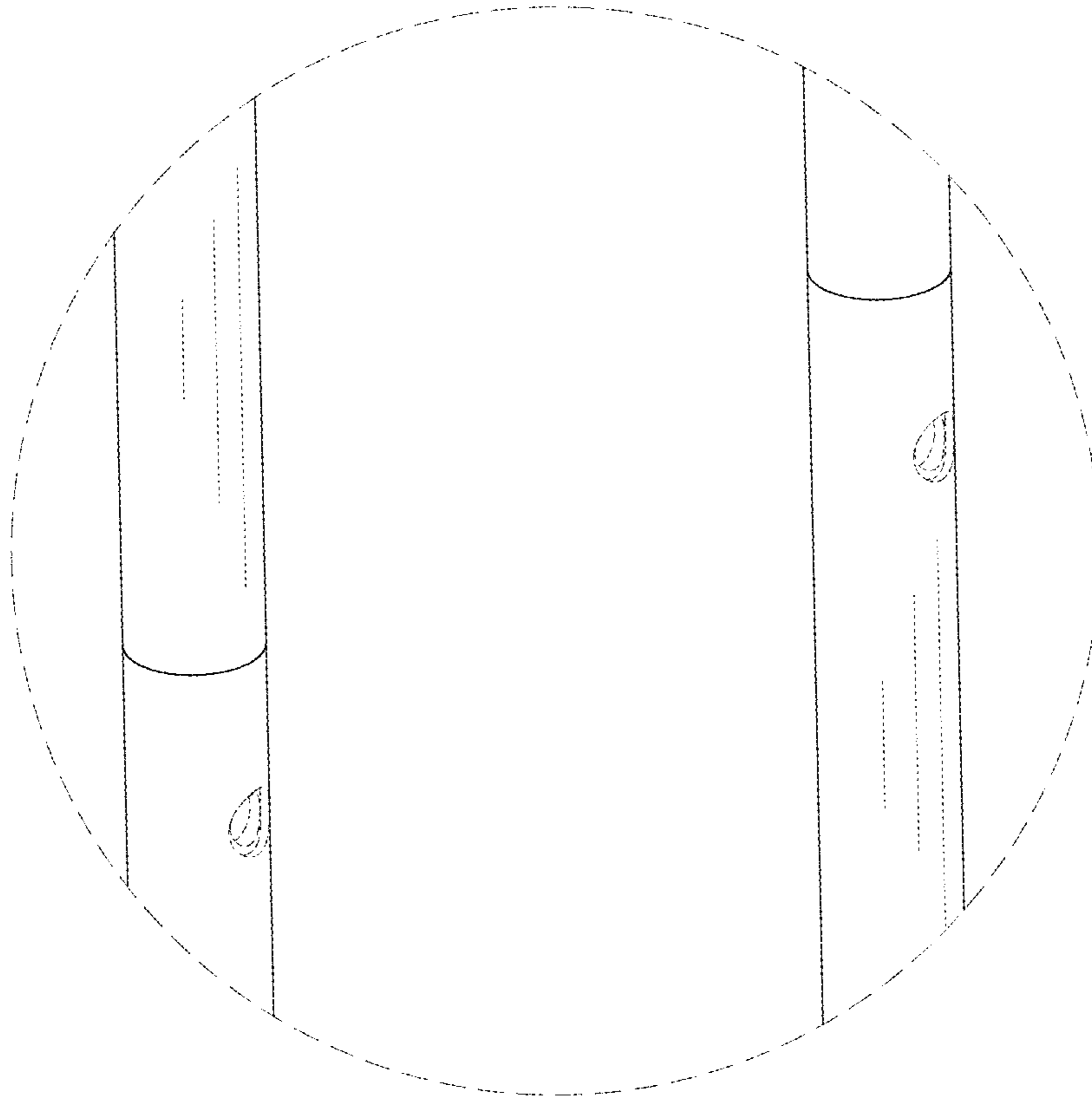


FIG. 10