



US00D970935S

(12) **United States Design Patent** (10) **Patent No.:** **US D970,935 S**
Liu (45) **Date of Patent:** **** Nov. 29, 2022**

(54) **FRAME TYPE SHELVING**
(71) Applicant: **GUANGZHOU YOUMING TRADING COMPANY**, Guangzhou (CN)
(72) Inventor: **Jian Liu**, Guangzhou (CN)
(73) Assignee: **GUANGZHOU YOUMING TRADING COMPANY**, Guangzhou (CN)
(**) Term: **15 Years**
(21) Appl. No.: **29/812,005**
(22) Filed: **Oct. 19, 2021**
(51) **LOC (13) Cl.** **06-04**
(52) **U.S. Cl.**
USPC **D6/681.1**
(58) **Field of Classification Search**
USPC D6/672, 675, 675.1, 675.2, 675.5, 681, D6/681.1, 681.2, 681.3, 552
CPC A47B 47/0008; A47B 47/0041; A47B 47/0083; A47B 47/021; A47B 47/027; A47F 5/0031; A47F 5/0056; A47F 5/01; A47F 5/14; A47F 7/0021
See application file for complete search history.

5,908,121 A * 6/1999 Dardashti A47B 87/0215 211/188
D462,201 S * 9/2002 Palmer D6/675.2
D485,092 S * 1/2004 Rosen D6/675.2
D554,188 S * 10/2007 Bonaventura D19/90
D568,066 S * 5/2008 Cohen D6/681
D568,636 S * 5/2008 Cohen D6/682
D569,131 S * 5/2008 Cohen D6/675.5
D653,877 S * 2/2012 Simon D6/675.1
D670,420 S * 11/2012 Hui D26/51
D693,157 S * 11/2013 Polidoros A47B 27/14 D6/681
D706,557 S 6/2014 Meissner et al.
8,944,533 B2 * 2/2015 Hofmann H02B 1/01 312/265.1
D744,267 S * 12/2015 Polidoros D6/708.16
D744,268 S * 12/2015 Polidoros D6/708.16
D744,771 S * 12/2015 Subbi D6/675
D778,641 S 2/2017 Anderson
D798,640 S * 10/2017 Anderson D6/712
D801,087 S * 10/2017 McLoud D6/675
D802,343 S * 11/2017 Rost, Jr. D6/675.3

(Continued)

Primary Examiner — Steven J Czyz
(74) *Attorney, Agent, or Firm* — Jeenam Park

(57) **CLAIM**

The ornamental design for a frame type shelving, as shown and described.

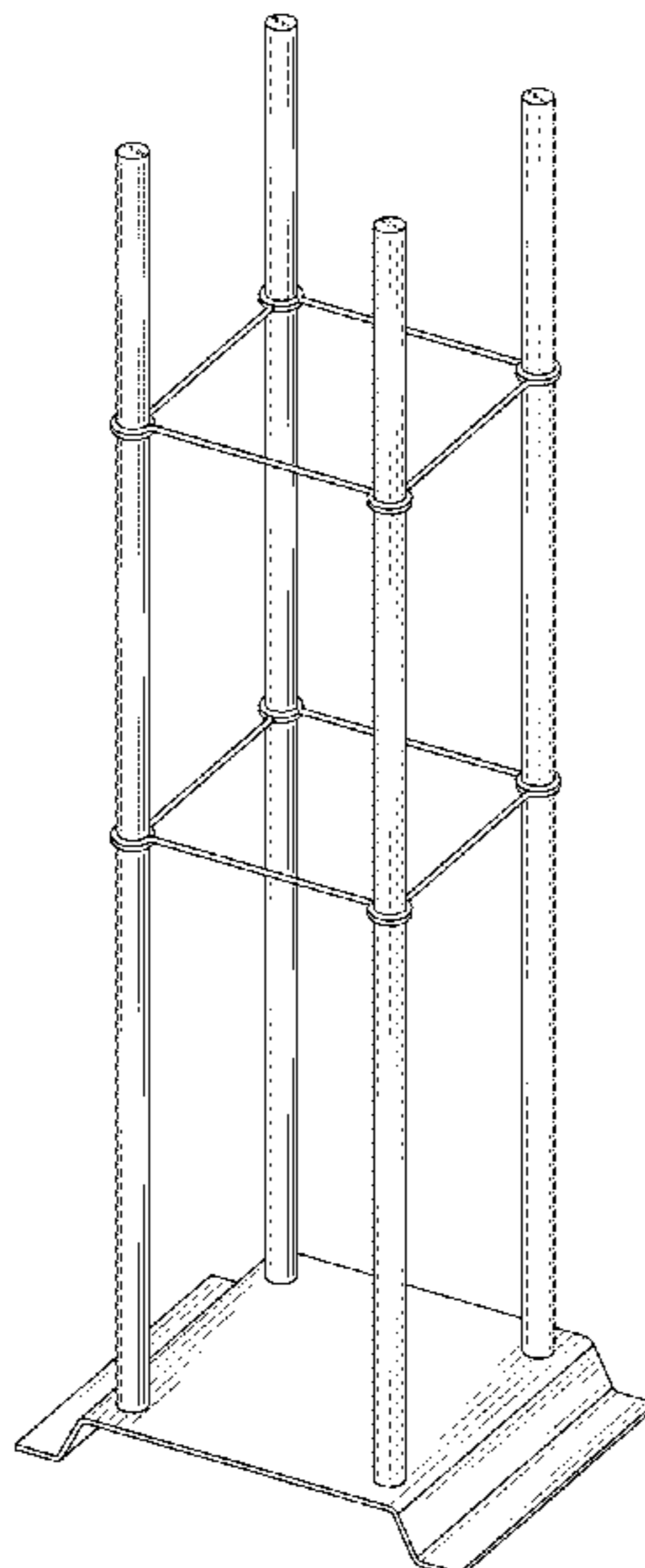
DESCRIPTION

FIG. 1 is a top, front and right perspective view of a frame type shelving showing my new design;
FIG. 2 is a rear, bottom and left perspective view thereof;
FIG. 3 is a front view thereof;
FIG. 4 is a rear view thereof;
FIG. 5 is a left side view thereof;
FIG. 6 is a right side view thereof;
FIG. 7 is a top plan view thereof; and,
FIG. 8 is a bottom plan view thereof.

1 Claim, 8 Drawing Sheets

(56) **References Cited**
U.S. PATENT DOCUMENTS

D246,915 S * 1/1978 Henthorne D6/552
D267,682 S * 1/1983 Kates D6/675
D273,929 S * 5/1984 Rolli, Jr. D6/300
D290,254 S * 6/1987 Arevalo D6/678.4
D360,887 S * 8/1995 Karnaze D6/675.1
D372,137 S * 7/1996 Hollinger D6/403
D387,226 S * 12/1997 Dardashti D6/675.1
D403,175 S * 12/1998 Dardashti D26/58
D404,936 S * 2/1999 Dardashti D6/672
D406,204 S * 3/1999 Dardashti D6/672



(56)

References Cited

U.S. PATENT DOCUMENTS

D820,620 S *	6/2018	McLoud	D6/681.1
D836,936 S *	1/2019	Jeppson	D6/403
D862,949 S *	10/2019	Ghiorghie	D6/675.2
D904,809 S *	12/2020	Li	D6/677.1
D961,758 S *	8/2022	von Holtzendorff-Fehling	D13/101
D963,367 S *	9/2022	Liang	D6/675.2

* cited by examiner

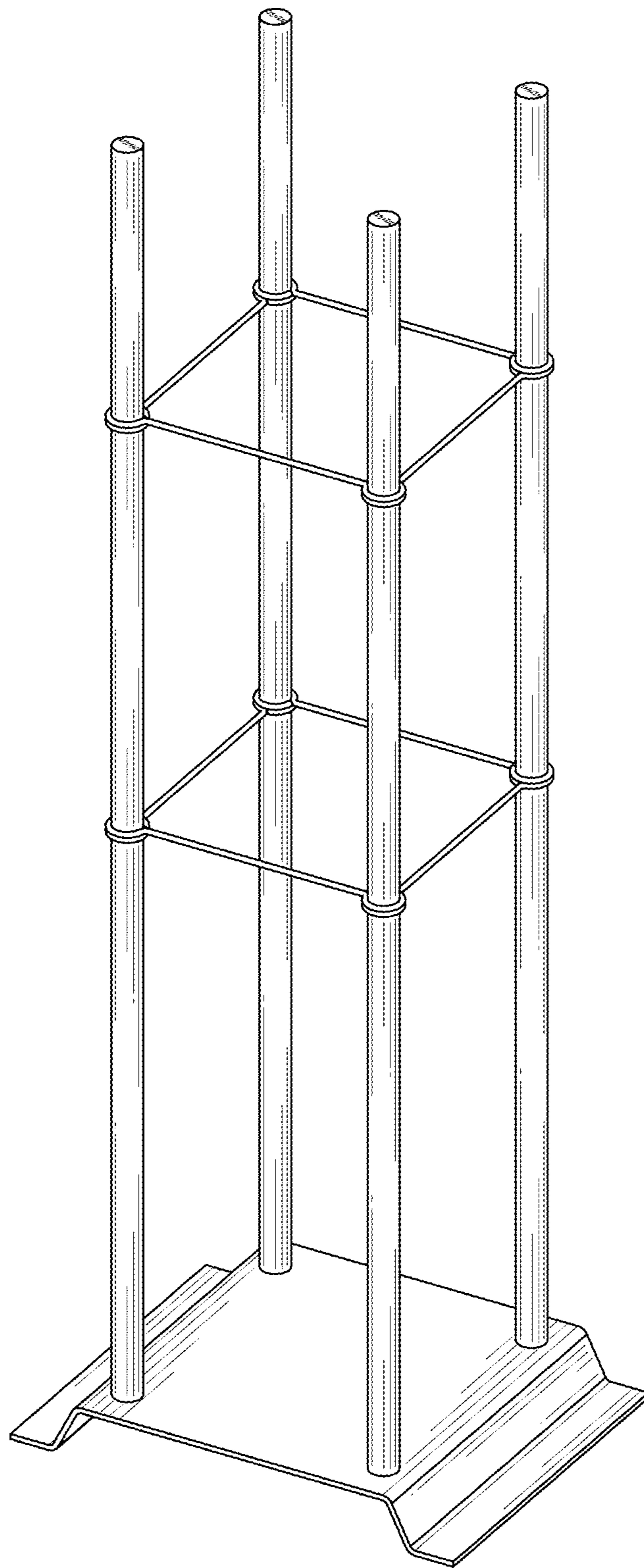


FIG. 1

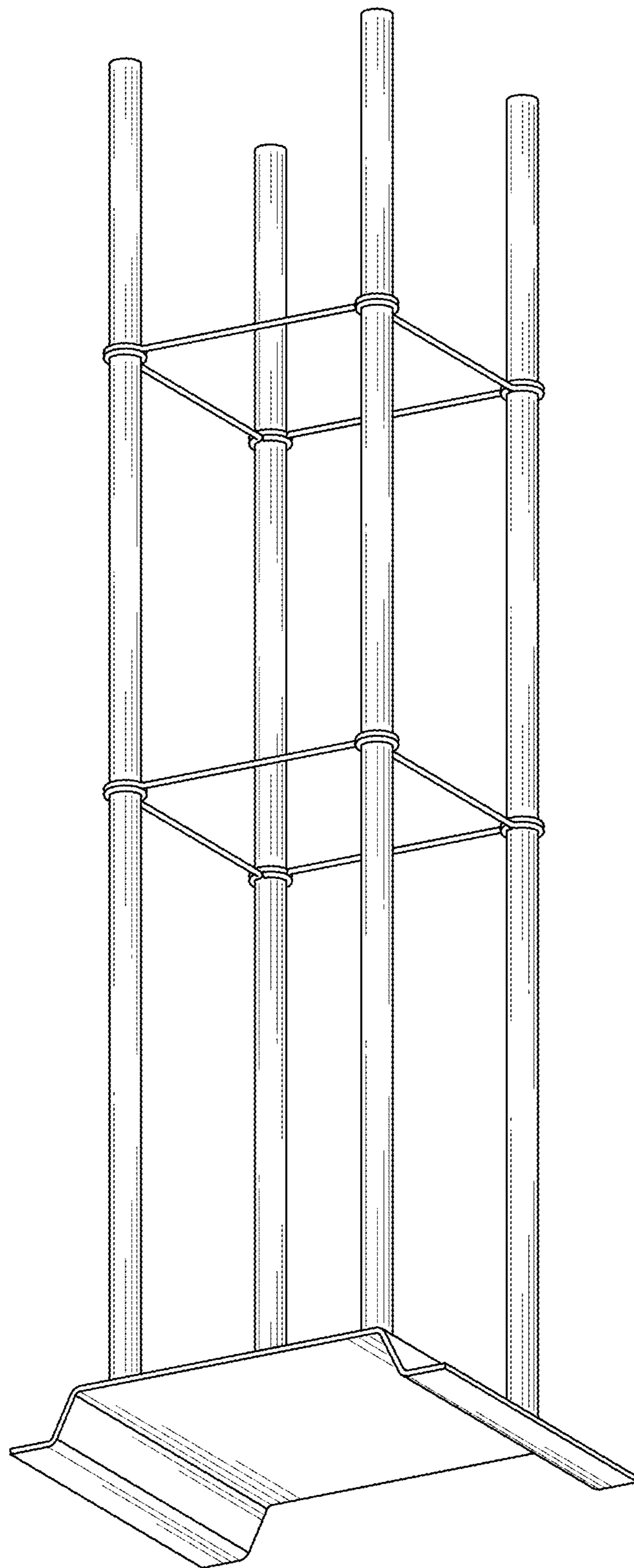


FIG. 2

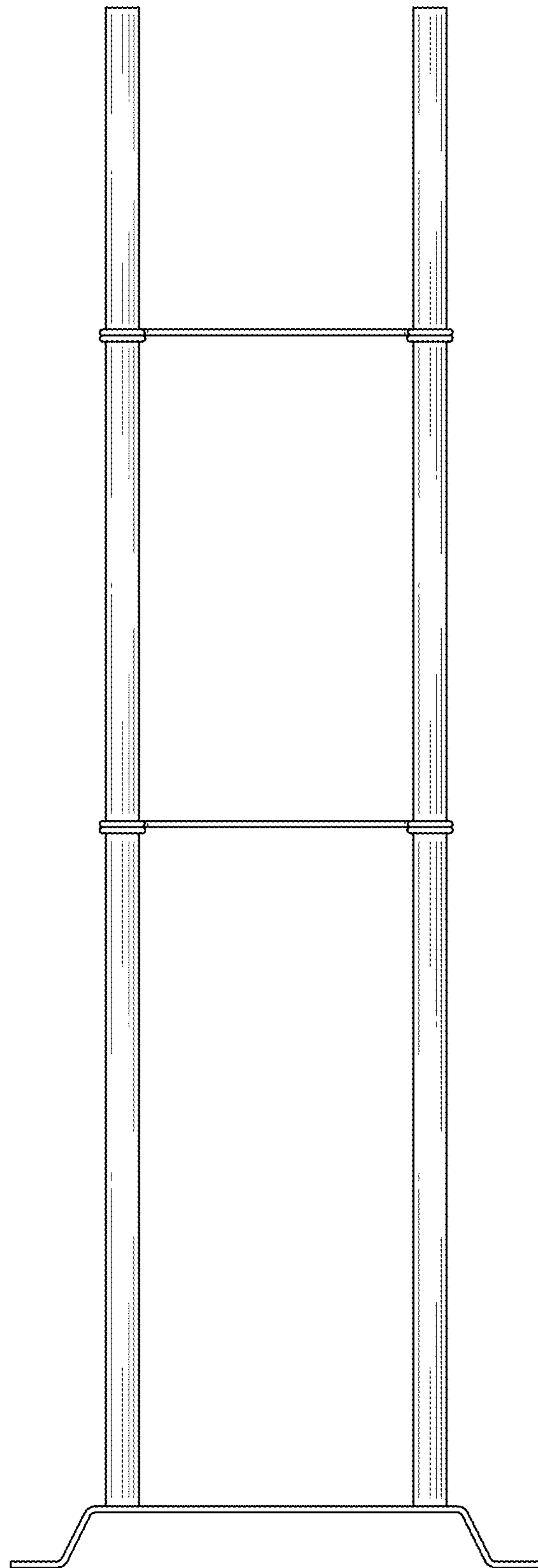


FIG. 3

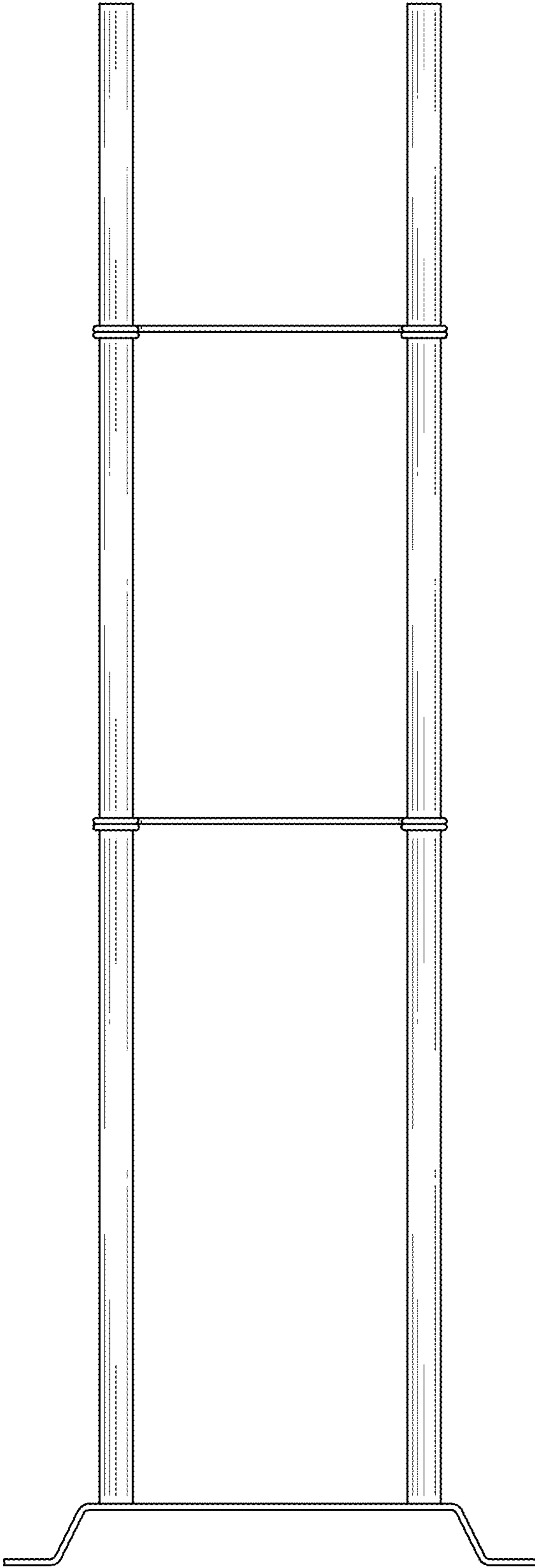


FIG. 4

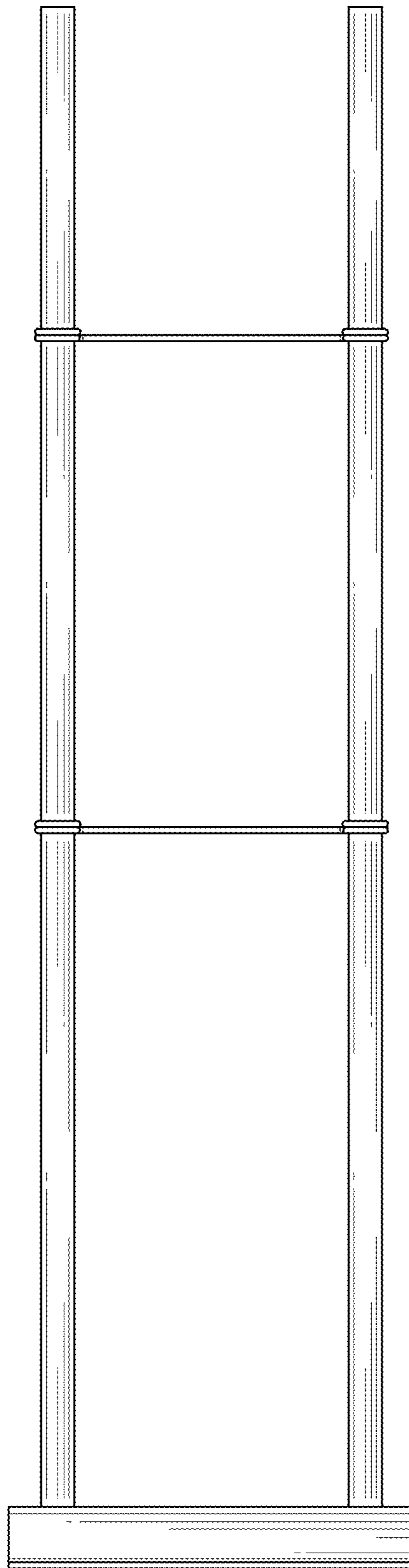


FIG. 5

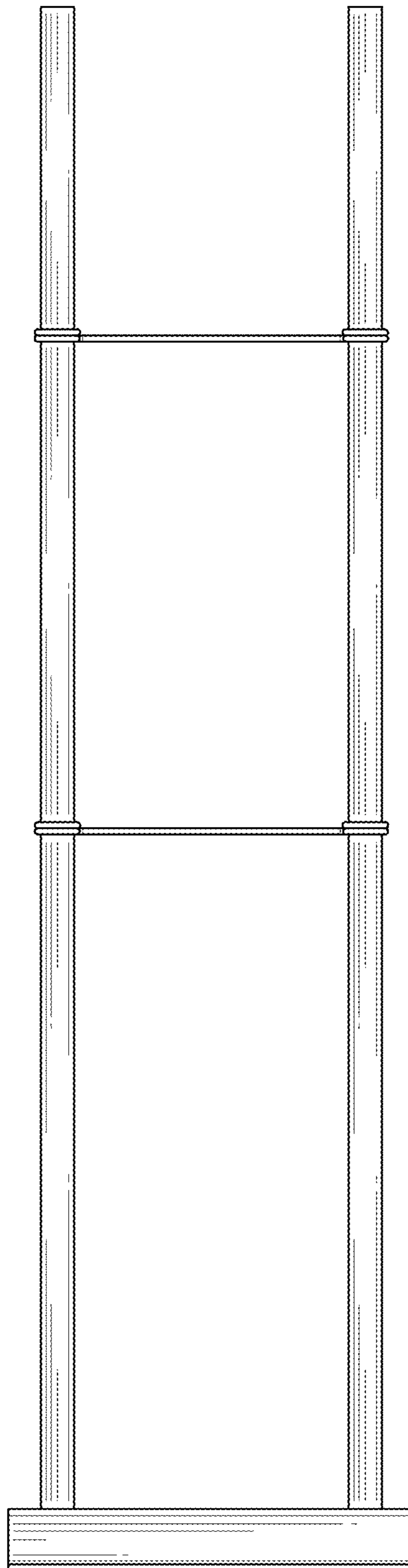


FIG. 6

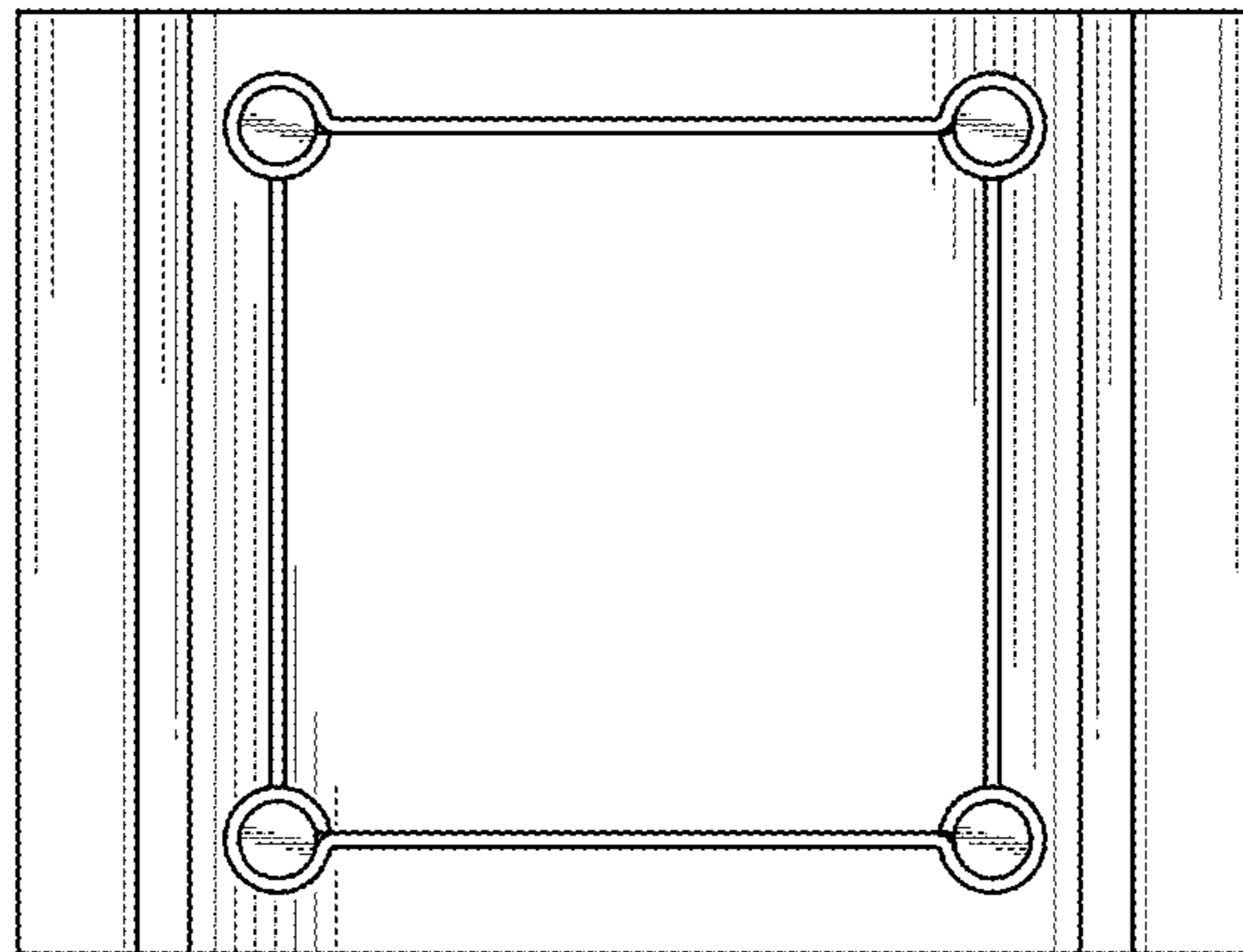


FIG. 7

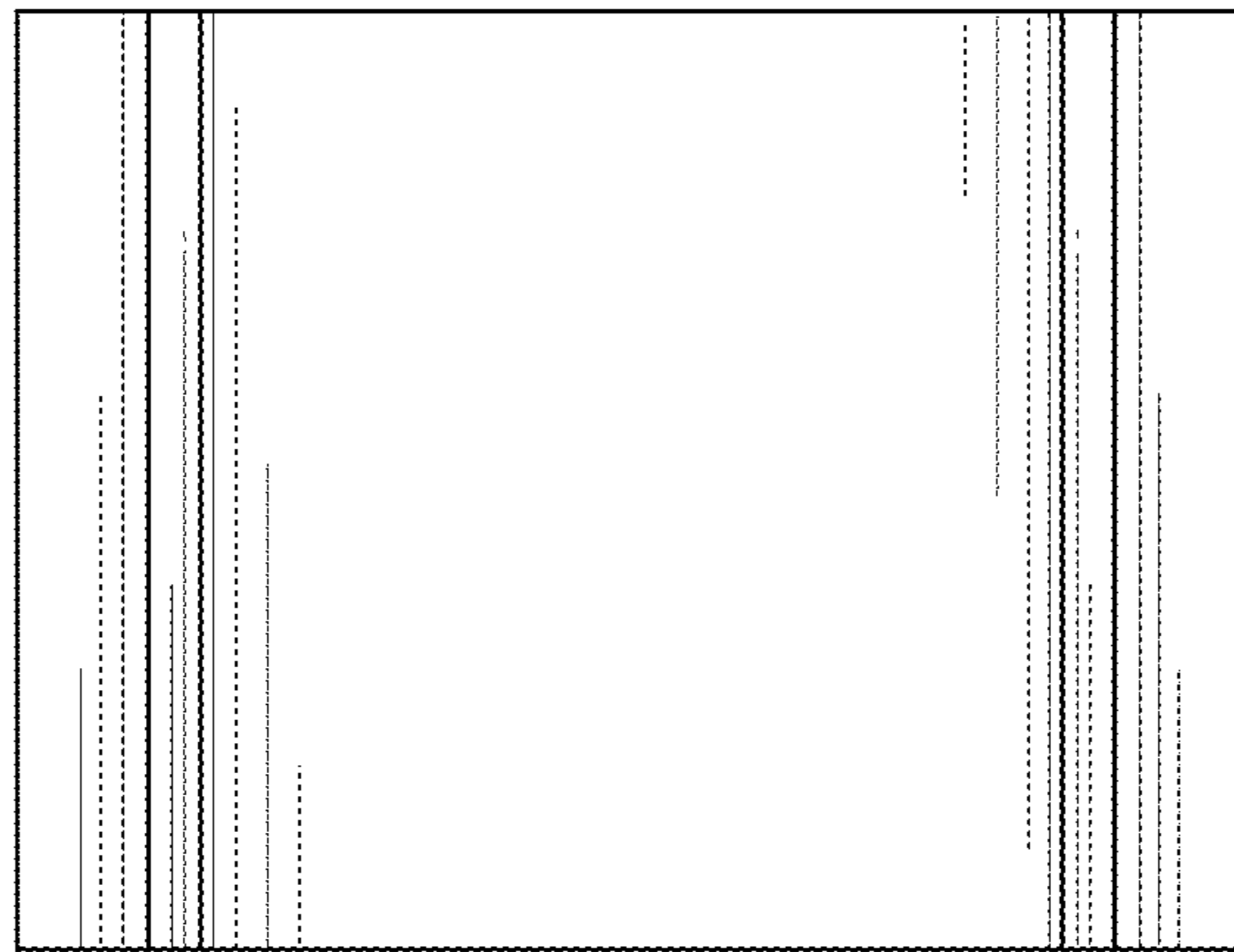


FIG. 8