



US00D970934S

(12) **United States Design Patent**  
**Sabounjian et al.**

(10) **Patent No.:** **US D970,934 S**

(45) **Date of Patent:** **\*\* Nov. 29, 2022**

(54) **EXPANDABLE PAN AND LID ORGANIZER**

(71) Applicants: **Sam C. Sabounjian**, Irvine, CA (US);  
**Azad Sabounjian**, Irvine, CA (US)

(72) Inventors: **Sam C. Sabounjian**, Irvine, CA (US);  
**Azad Sabounjian**, Irvine, CA (US)

(\*\*) Term: **15 Years**

(21) Appl. No.: **29/699,651**

(22) Filed: **Jul. 26, 2019**

(51) **LOC (13) Cl.** ..... **06-06**

(52) **U.S. Cl.**  
USPC ..... **D6/678.1; D7/704**

(58) **Field of Classification Search**  
USPC ..... D6/672, 673, 675, 675.2, 678, 678.1,  
D6/678.4, 680.2, 680.3, 681.1, 681.2,  
D6/682, 682.3, 682.4; D7/601, 704  
CPC ..... A47B 55/02; A47B 77/14; A47G 19/08;  
A47F 7/00; A47F 7/0014; A47F 7/0064;  
A47F 5/01; A47J 47/16  
See application file for complete search history.

(56) **References Cited**

**U.S. PATENT DOCUMENTS**

- 2,892,548 A \* 6/1959 Huff ..... A47B 81/067  
211/195
- D333,408 S \* 2/1993 Fleisher ..... D7/504
- D364,074 S \* 11/1995 Yeh ..... D6/678.4
- D555,202 S \* 11/2007 Siegel ..... D19/90
- D639,613 S \* 6/2011 Goodman ..... D7/632
- D719,491 S \* 12/2014 Rayl ..... D12/115
- D719,492 S \* 12/2014 Rayl ..... D12/115
- D729,021 S \* 5/2015 Goodman ..... D7/704

- D777,536 S \* 1/2017 Jolin ..... D7/669
- D826,660 S \* 8/2018 Klein ..... D7/704
- D836,400 S \* 12/2018 Goodman ..... D7/601
- D846,319 S \* 4/2019 Min ..... D6/675.2
- D884,513 S \* 5/2020 Hummel ..... D10/71
- D913,734 S \* 3/2021 Sabounjian ..... D6/675.2
- 2004/0251219 A1 \* 12/2004 Zimmerman ..... B62H 3/08  
211/17

\* cited by examiner

*Primary Examiner* — Kelley A Donnelly

(74) *Attorney, Agent, or Firm* — Stetina Brunda Garred & Brucker

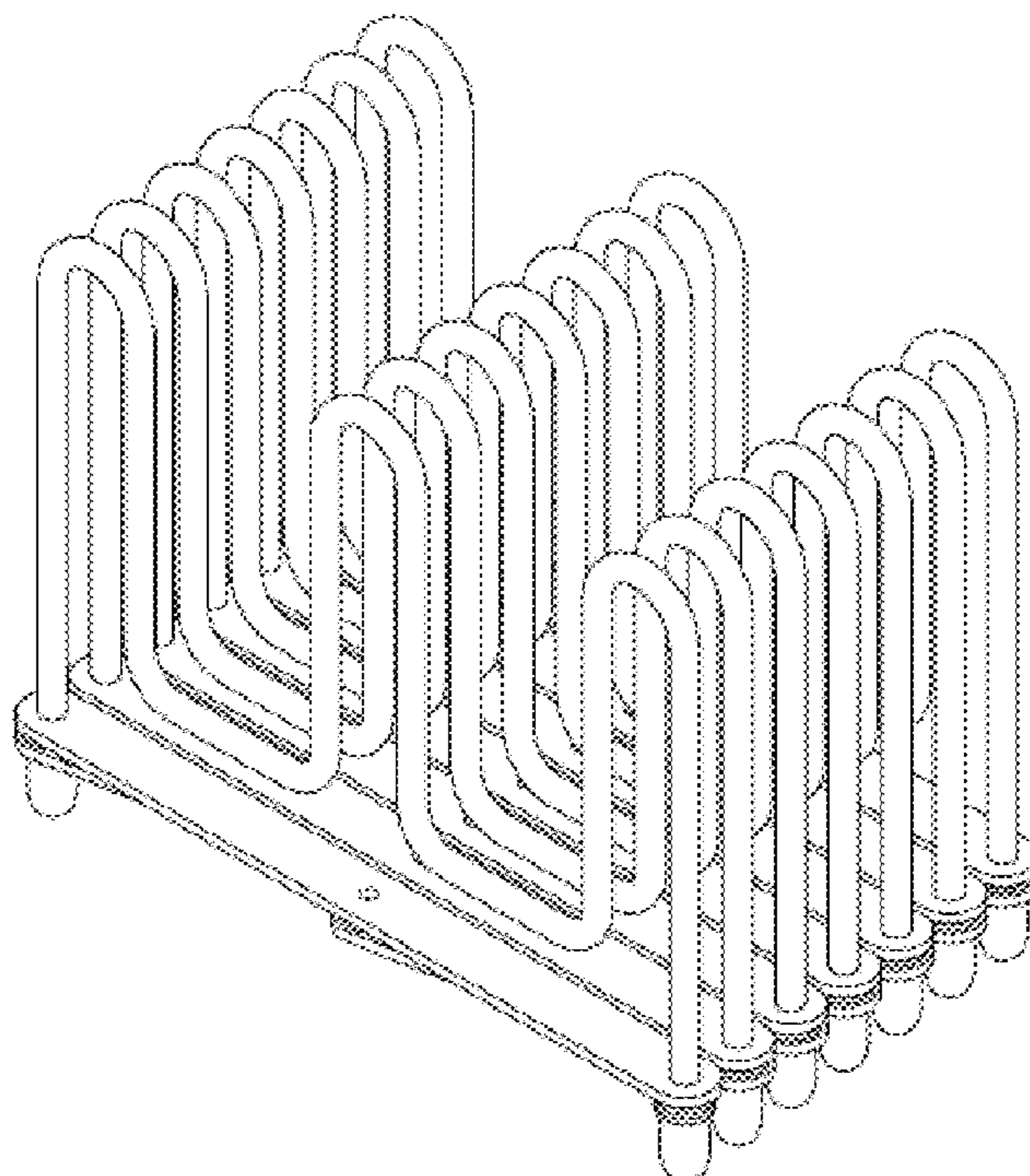
(57) **CLAIM**

The ornamental design for an expandable pan and lid organizer, as shown and described.

**DESCRIPTION**

FIG. 1 is a perspective top view of an expandable pan and lid organizer in a compacted configuration;  
 FIG. 2 is a perspective bottom view of the expandable pan and lid organizer of FIG. 1;  
 FIG. 3 is a front view of the expandable pan and lid organizer of FIG. 1, the back view being a mirror image thereof;  
 FIG. 4 is a side view of the expandable pan and lid organizer of FIG. 1, the opposing side view being a mirror image thereof;  
 FIG. 5 is a top view of the expandable pan and lid organizer of FIG. 1;  
 FIG. 6 is a bottom view of the expandable pan and lid organizer of FIG. 1; and,  
 FIG. 7 is a perspective top view of the expandable pan and lid organizer of FIG. 1 in an expanded configuration.

**1 Claim, 6 Drawing Sheets**



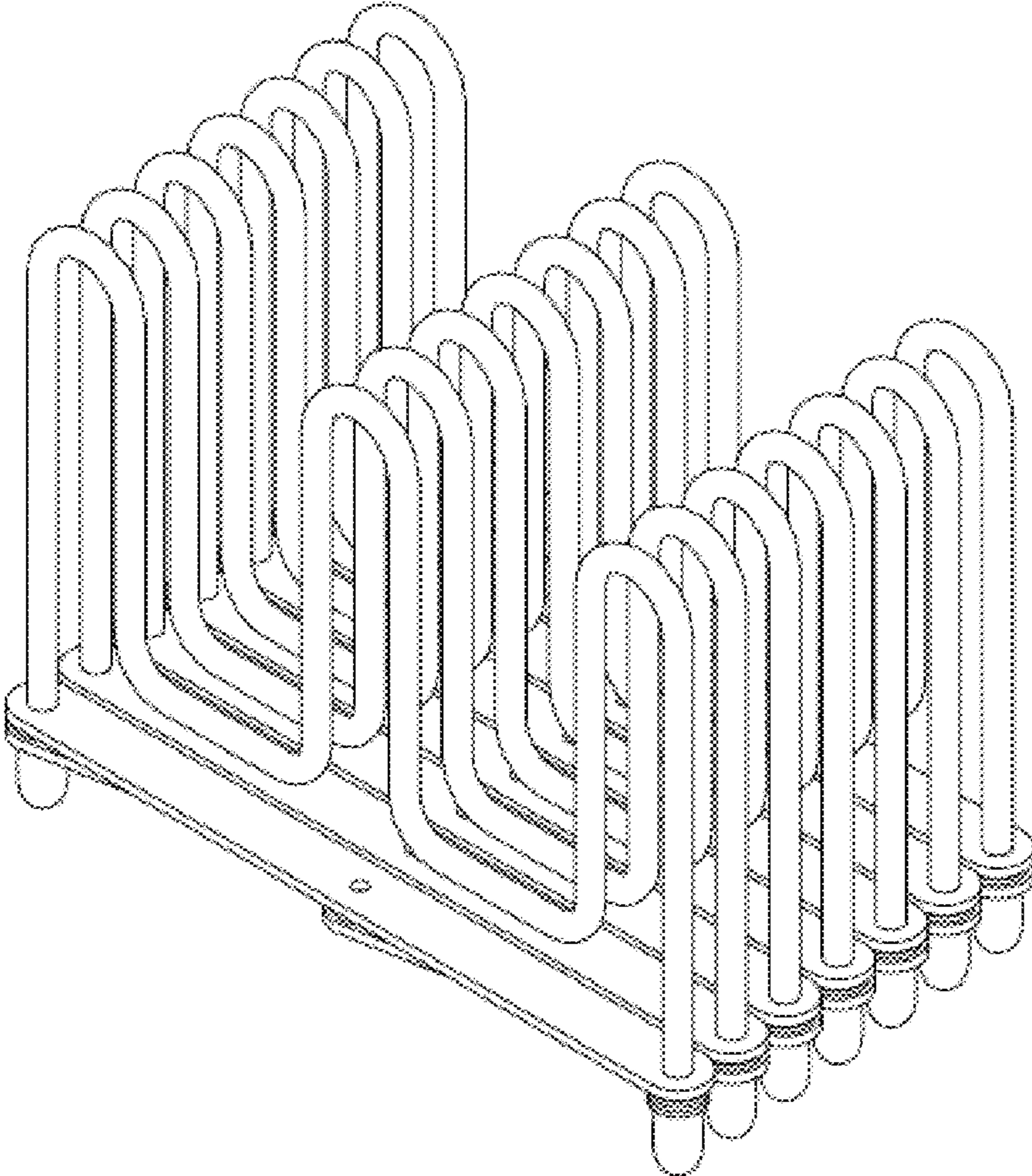


FIGURE 1

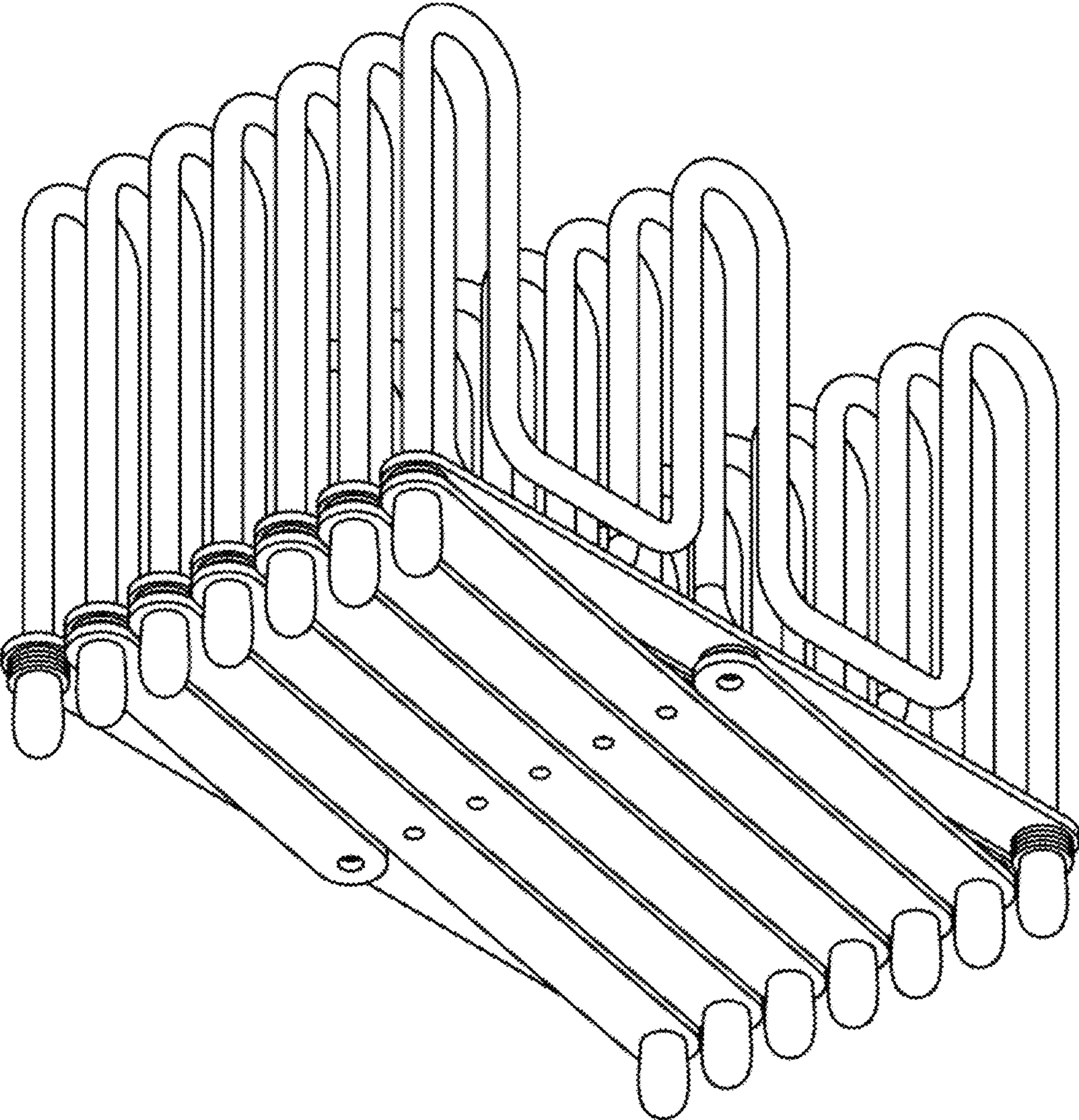


FIGURE 2

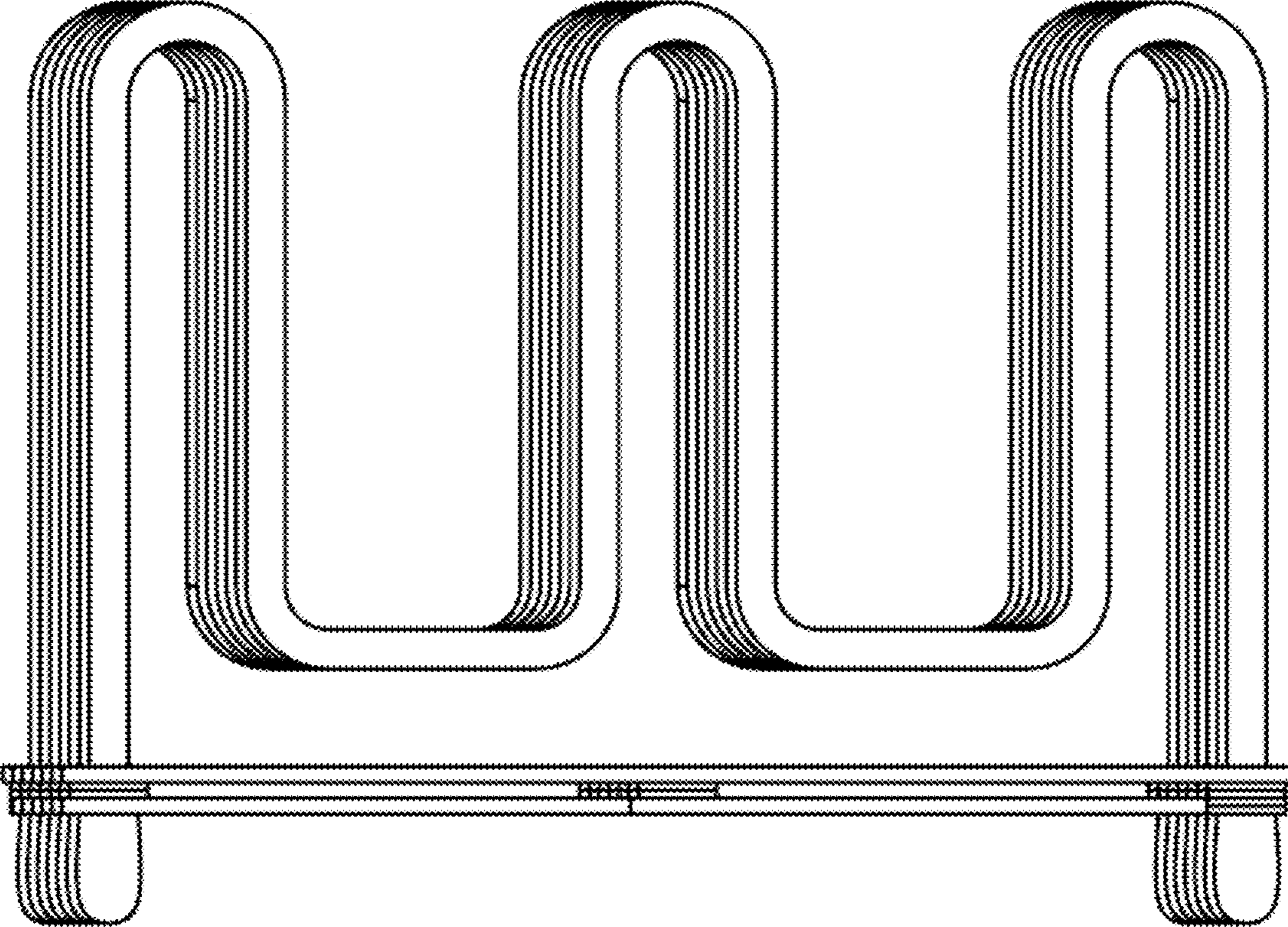


FIGURE 3

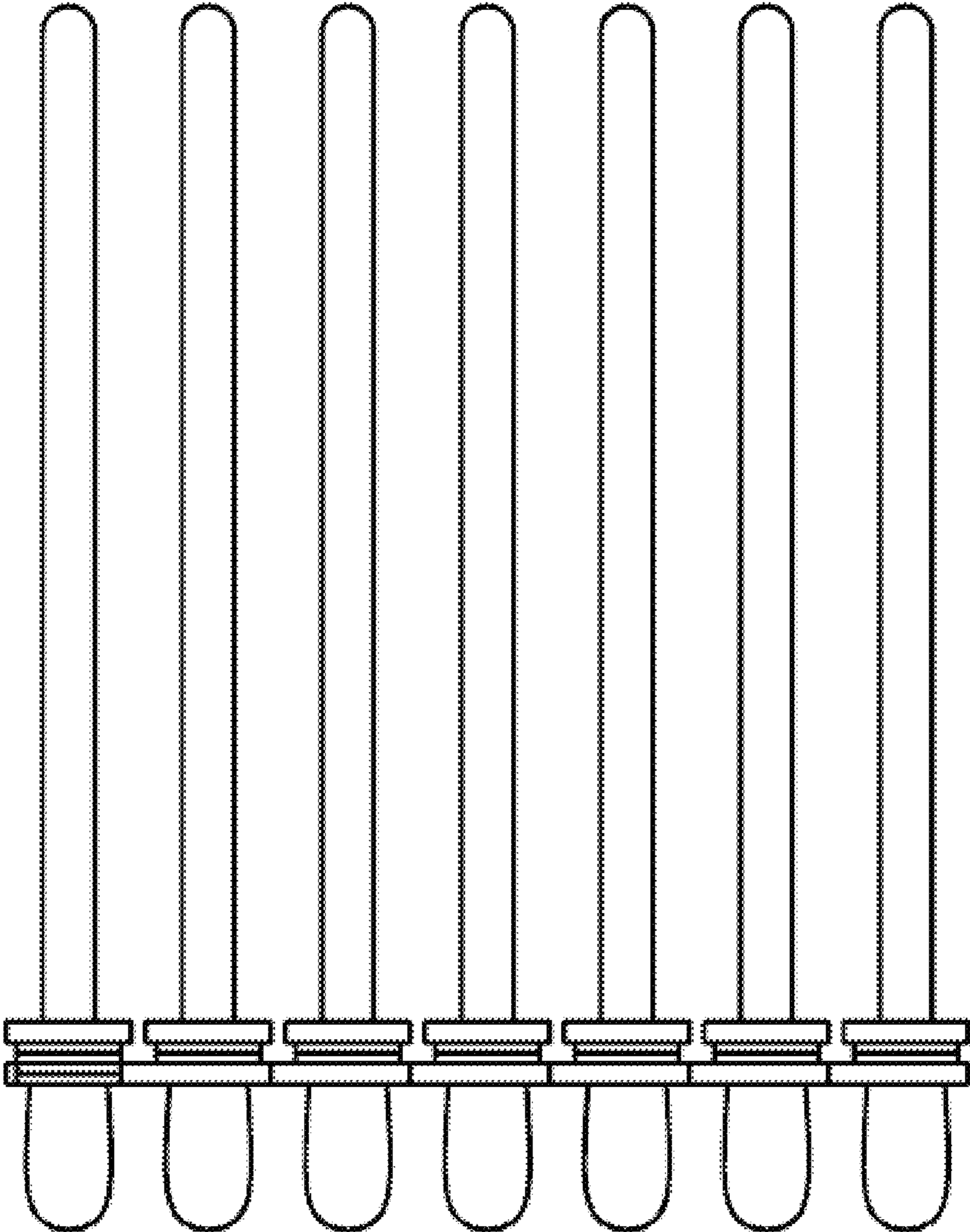


FIGURE 4

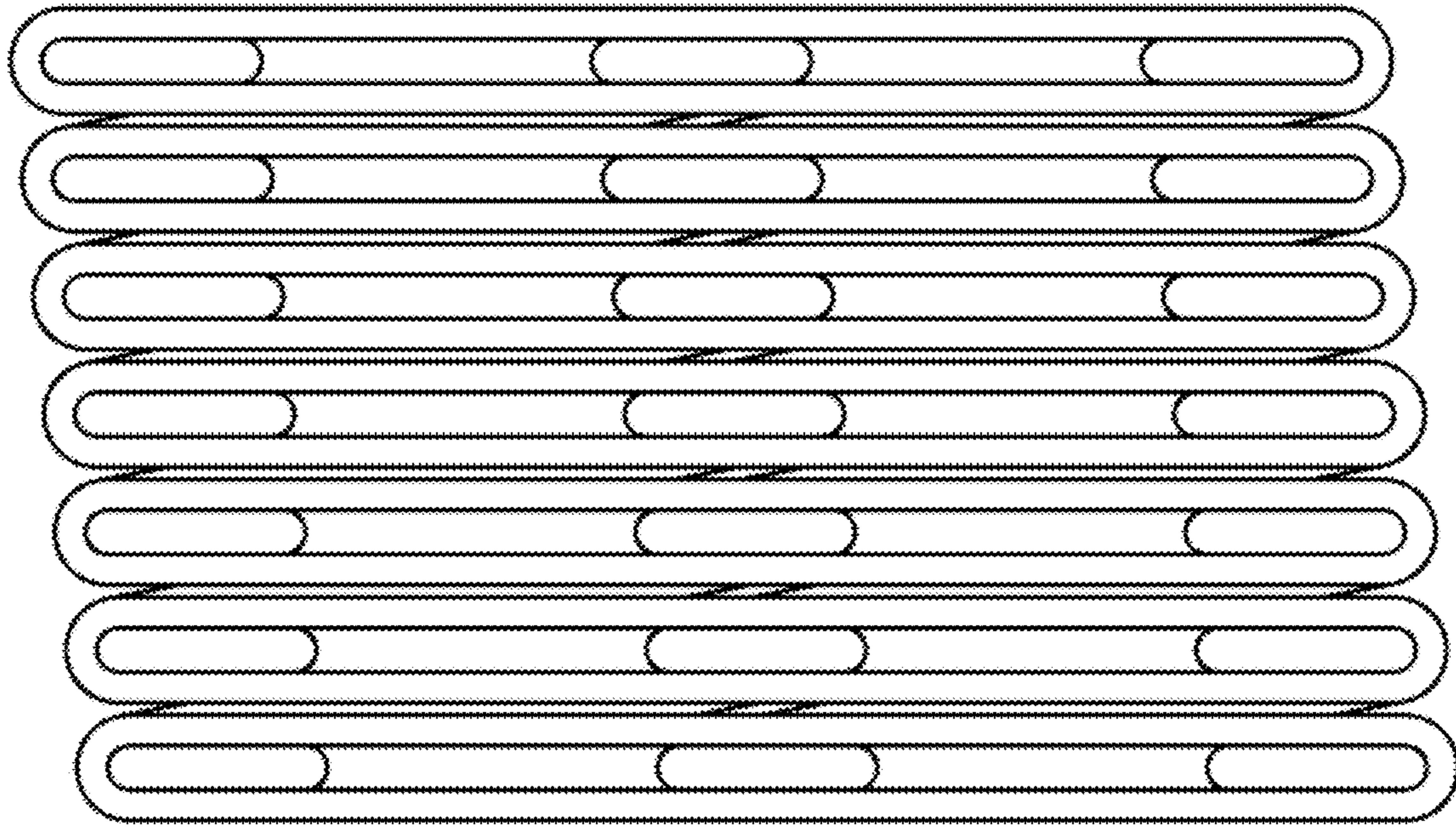


FIGURE 5

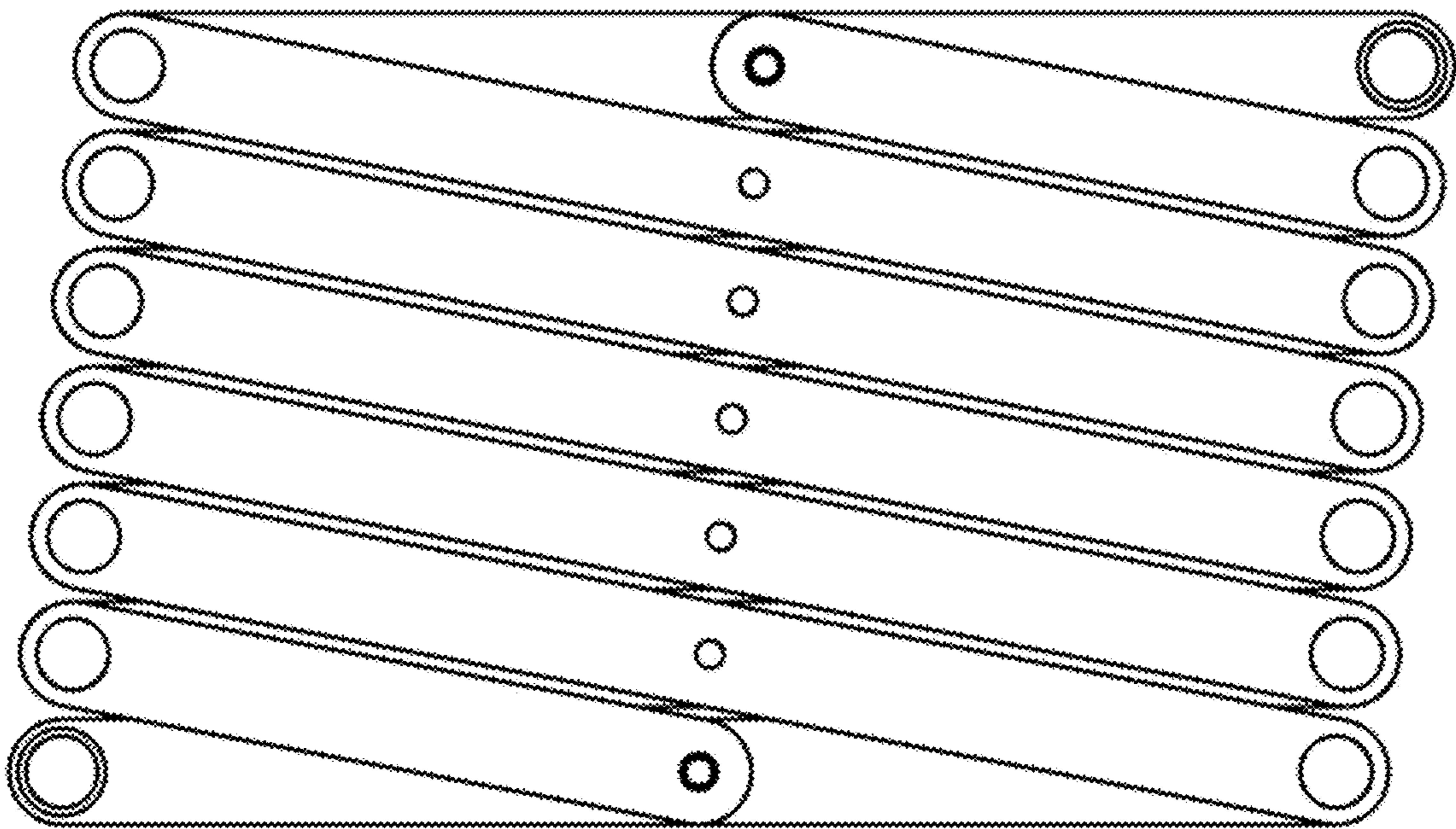


FIGURE 6

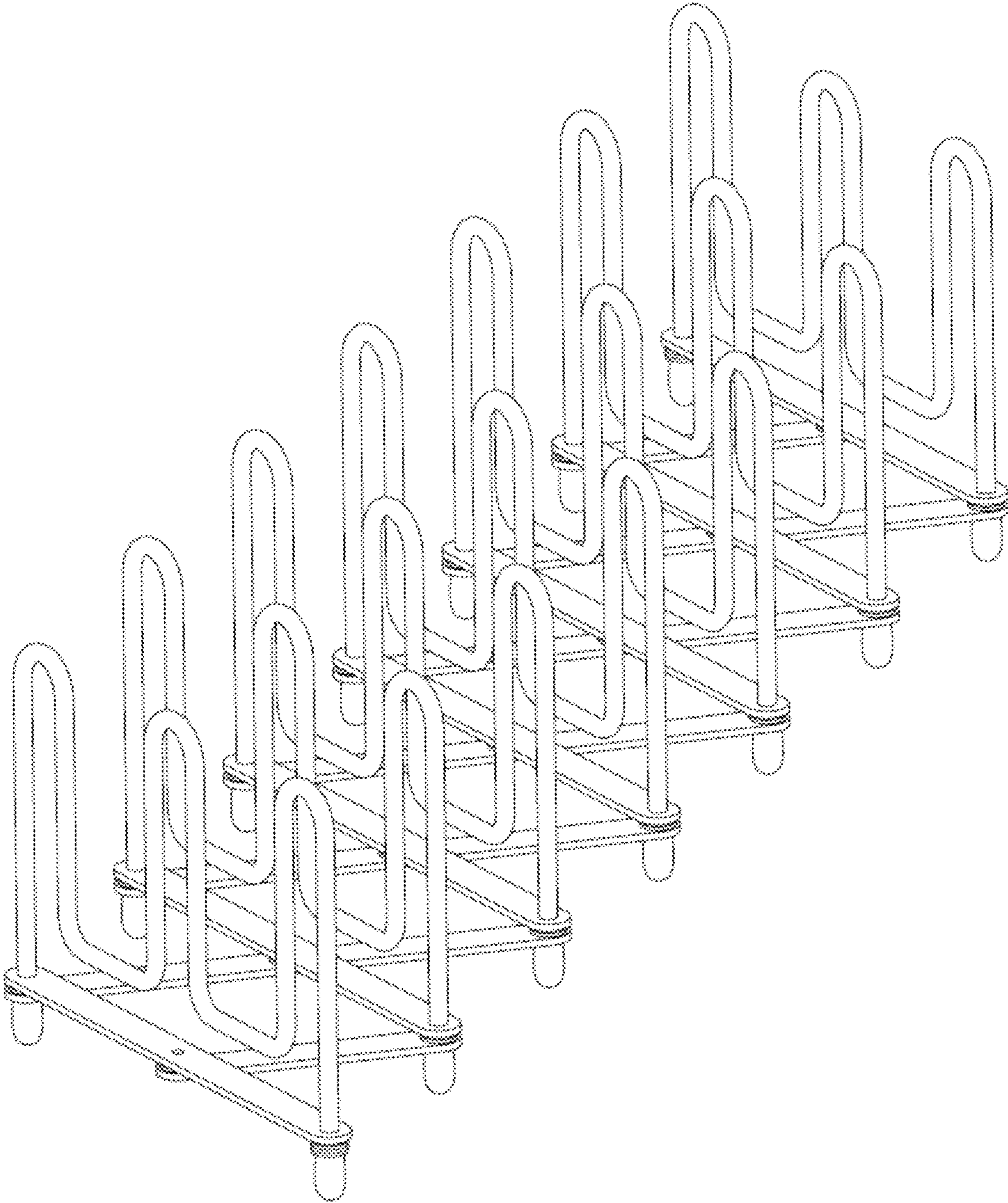


FIGURE 7