



US00D970933S

(12) **United States Design Patent** (10) **Patent No.:** **US D970,933 S**  
**Wilson, IV et al.** (45) **Date of Patent:** **\*\* Nov. 29, 2022**

(54) **DISPLAY STAND**

(71) Applicant: **Idea Vault Holdings, Inc.**, Ashland, OR (US)

(72) Inventors: **Howard Allen Wilson, IV**, Medford, OR (US); **Lauren Elizabeth Wuscher**, Ashland, OR (US); **Jonathan David Willing**, Ashland, OR (US)

(73) Assignee: **Idea Vault Holdings, Inc.**, Ashland, OR (US)

(\*\*) Term: **15 Years**

(21) Appl. No.: **29/743,099**

(22) Filed: **Jul. 17, 2020**

(51) **LOC (13) Cl.** ..... **06-06**

(52) **U.S. Cl.**  
USPC ..... **D6/675.4**

(58) **Field of Classification Search**  
USPC ..... D6/641, 642, 672, 673, 675, 675.4, 682, D6/702, 705, 512, 682.1, 705.1; D7/550.1, 552.2, 553.2, 311, 600.1, 601, D7/602, 213

CPC .. A47F 5/00; A47F 5/0081; A47F 7/00; A47F 7/0071; A47B 23/00; A47J 31/44; A47J 31/441; A47J 47/00; A47J 47/20

See application file for complete search history.

(56) **References Cited**

**U.S. PATENT DOCUMENTS**

D221,072 S \* 7/1971 Arenhold ..... D6/349  
D293,493 S \* 12/1987 Garr ..... D6/675  
D347,533 S \* 6/1994 Lambert ..... D24/190  
D589,721 S \* 4/2009 Chang ..... D6/655.21  
D789,703 S \* 6/2017 Qiao ..... A47C 7/624  
D6/406.3

(Continued)

**OTHER PUBLICATIONS**

Dan&Darci Premium Remote Controlled Light-up Crystal Growing Kit Clock, Amazon.com printout retrieved on Jul. 31, 2020 from

[https://www.amazon.com/dp/B07H592JX6/ref-cm\\_sw\\_em\\_r\\_mt\\_dp\\_XVijFb2DPB8P7](https://www.amazon.com/dp/B07H592JX6/ref-cm_sw_em_r_mt_dp_XVijFb2DPB8P7).

(Continued)

*Primary Examiner* — Kelley A Donnelly  
(74) *Attorney, Agent, or Firm* — Salpi Dunlap

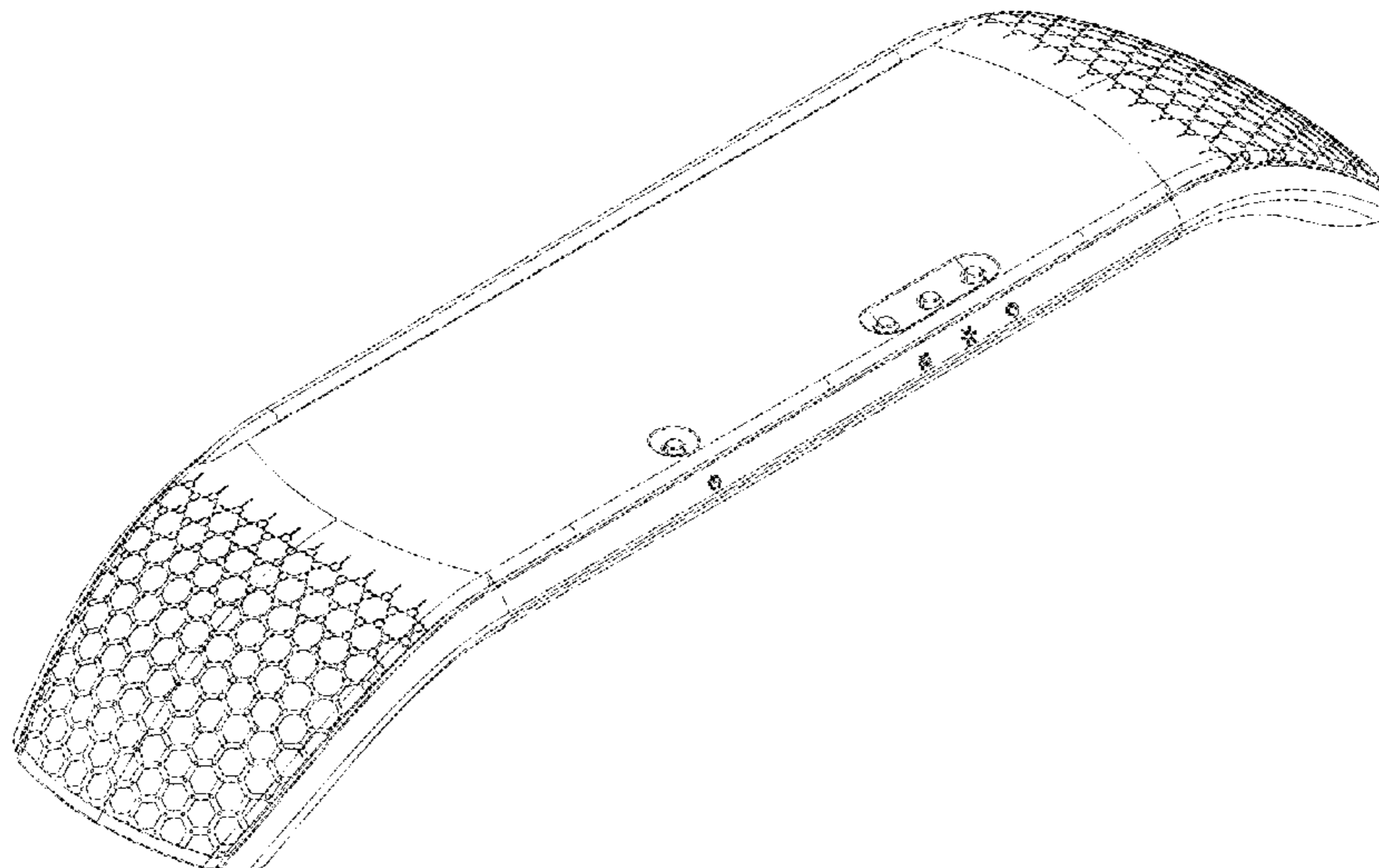
(57) **CLAIM**

We claim the ornamental design for display stand, as shown and described.

**DESCRIPTION**

FIG. 1 is a top perspective view of a first embodiment of a display stand;  
FIG. 2 is a bottom perspective view of FIG. 1;  
FIG. 3 is a top plan view of FIG. 1;  
FIG. 4 is a bottom plan view of FIG. 1;  
FIG. 5 is back plan view of FIG. 1;  
FIG. 6 is a front plan view of FIG. 1;  
FIG. 7 is a right plan view of FIG. 1; the opposing side being a mirror image.  
FIG. 8 is a front perspective view of FIG. 1.  
FIG. 9 is a front perspective view thereof shown with environment;  
FIG. 10 is a top perspective view of a second embodiment of a display stand;  
FIG. 11 is a bottom perspective view of FIG. 10;  
FIG. 12 is a top plan view of FIG. 10;  
FIG. 13 is a bottom plan view of FIG. 10;  
FIG. 14 is back plan view of FIG. 10;  
FIG. 15 is a front plan view of FIG. 10;  
FIG. 16 is a right plan view of FIG. 10; the opposing side being a mirror image.  
FIG. 17 is a front perspective view of FIG. 10; and,  
FIG. 18 is a front perspective view thereof shown with environment.  
The broken lines are shown for illustrative purposes only and form no part of the claimed design.

**1 Claim, 18 Drawing Sheets**



(56)

**References Cited**

U.S. PATENT DOCUMENTS

D802,311 S \* 11/2017 Stricklin ..... D6/349  
D836,930 S \* 1/2019 Levine ..... D6/349  
D895,311 S \* 9/2020 Kimmel ..... D6/349  
D895,631 S \* 9/2020 Kanter ..... D14/451  
D931,002 S \* 9/2021 Lee ..... D6/381  
D932,813 S \* 10/2021 Sabounjian ..... D6/675  
D941,618 S \* 1/2022 Zhang ..... D6/672

OTHER PUBLICATIONS

Dan&Darci Crystal Growing Kit for Kids + LIGHT-UP Stand,  
Amazon.com printout retrieved on Jul. 31, 2020 from [https://www.amazon.com/dp/B07FB2VN8L/ref=cm\\_sw\\_em\\_r\\_mt\\_dp\\_sfjjFbMH7SMNY](https://www.amazon.com/dp/B07FB2VN8L/ref=cm_sw_em_r_mt_dp_sfjjFbMH7SMNY).

\* cited by examiner

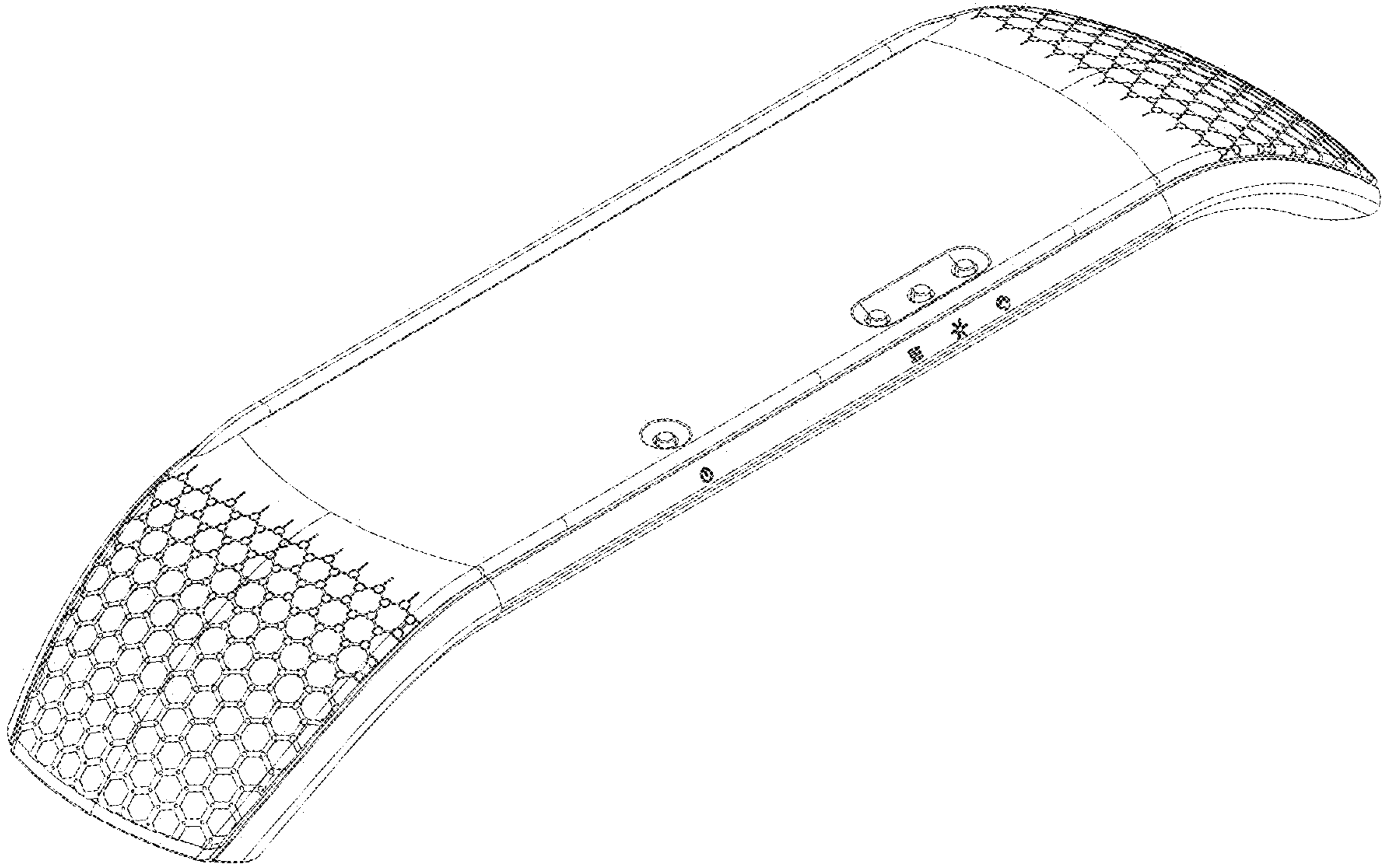


Fig. 1

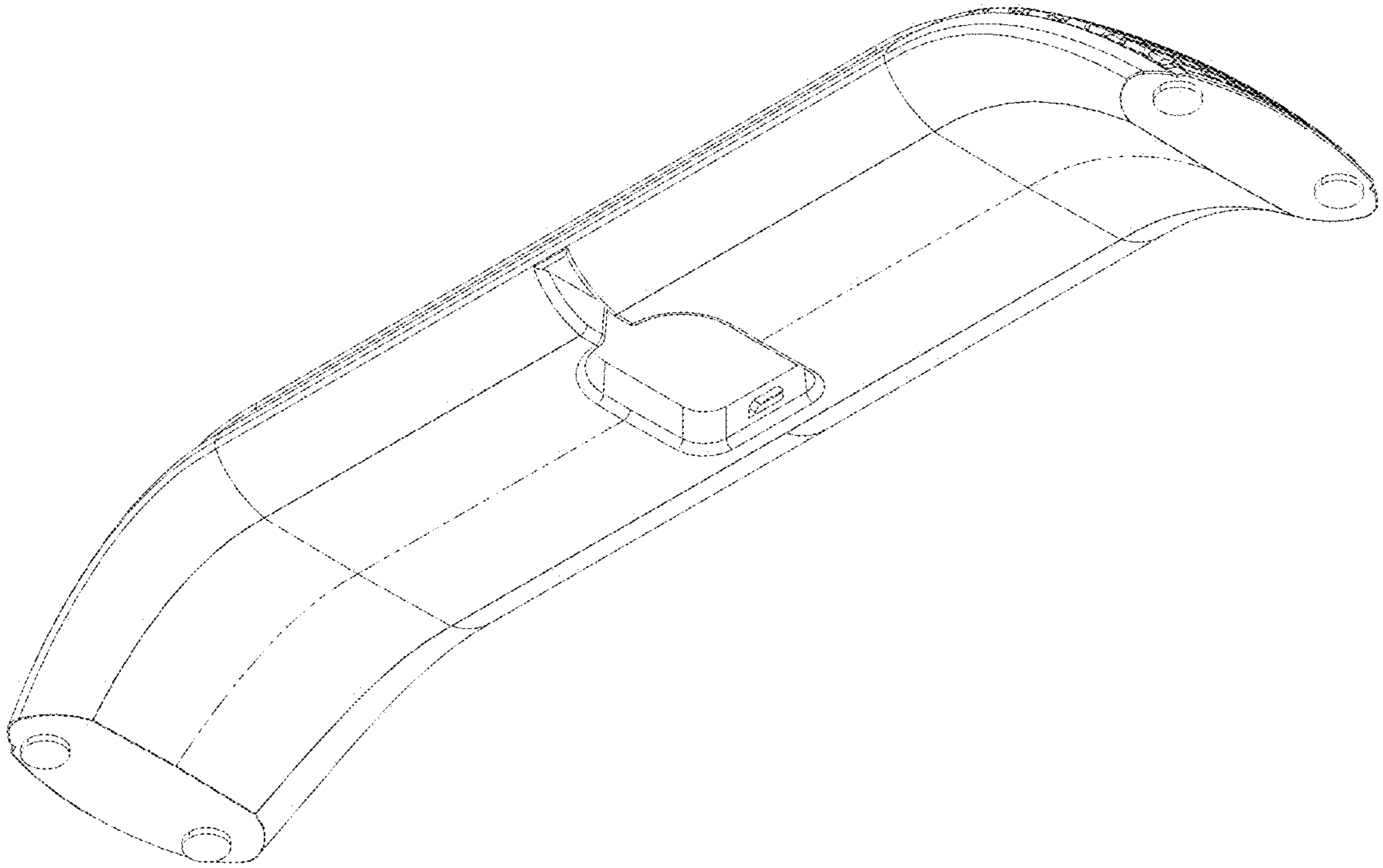


Fig. 2

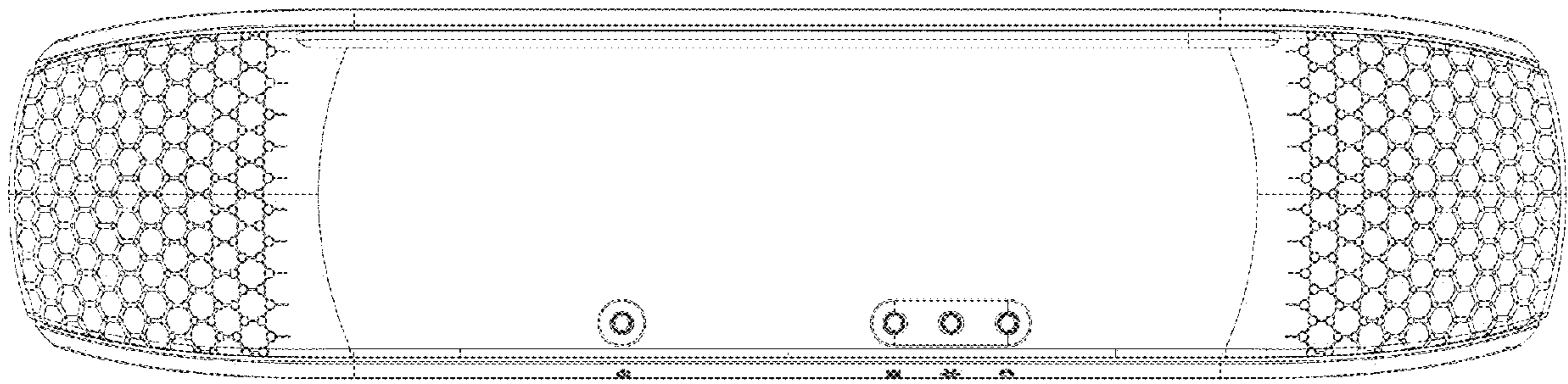


Fig. 3

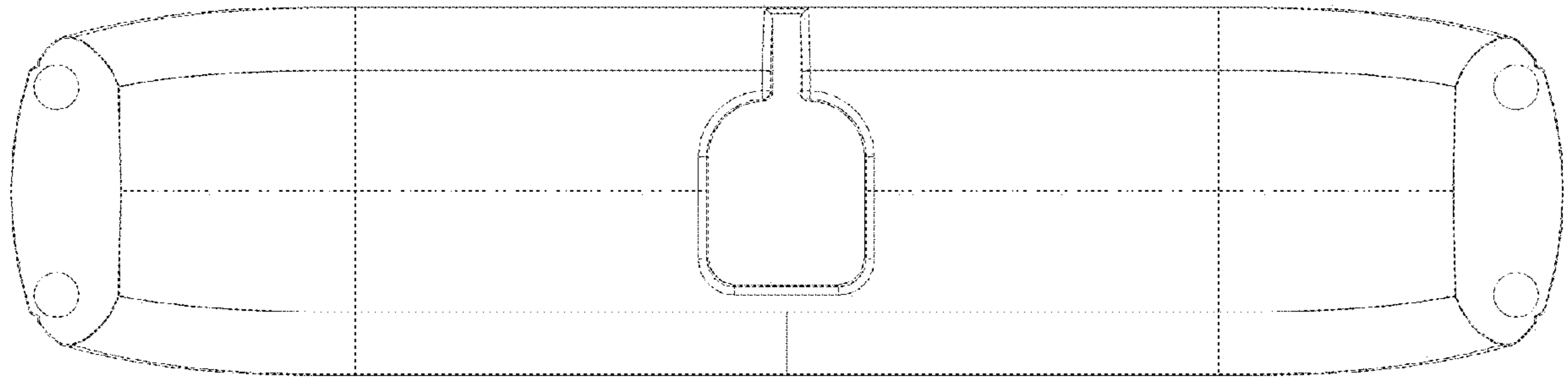


Fig. 4

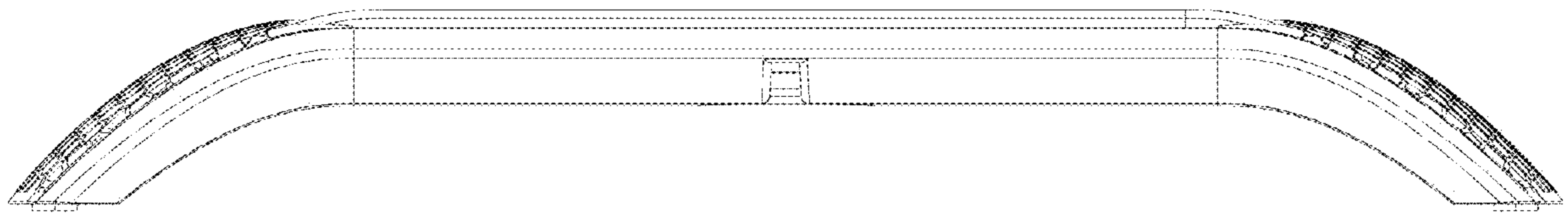


Fig. 5

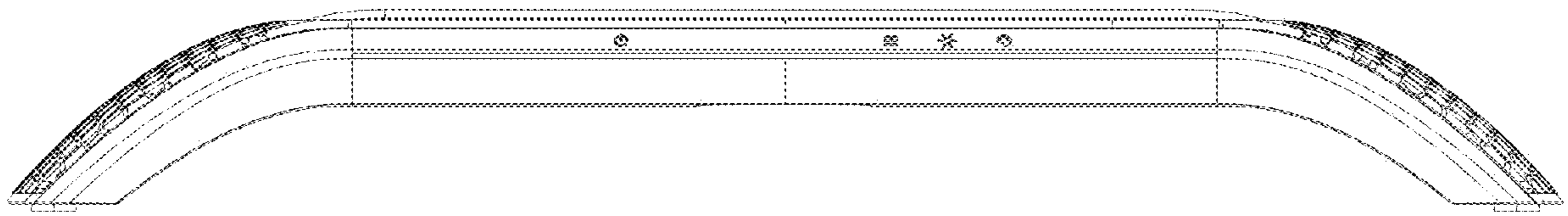


Fig. 6



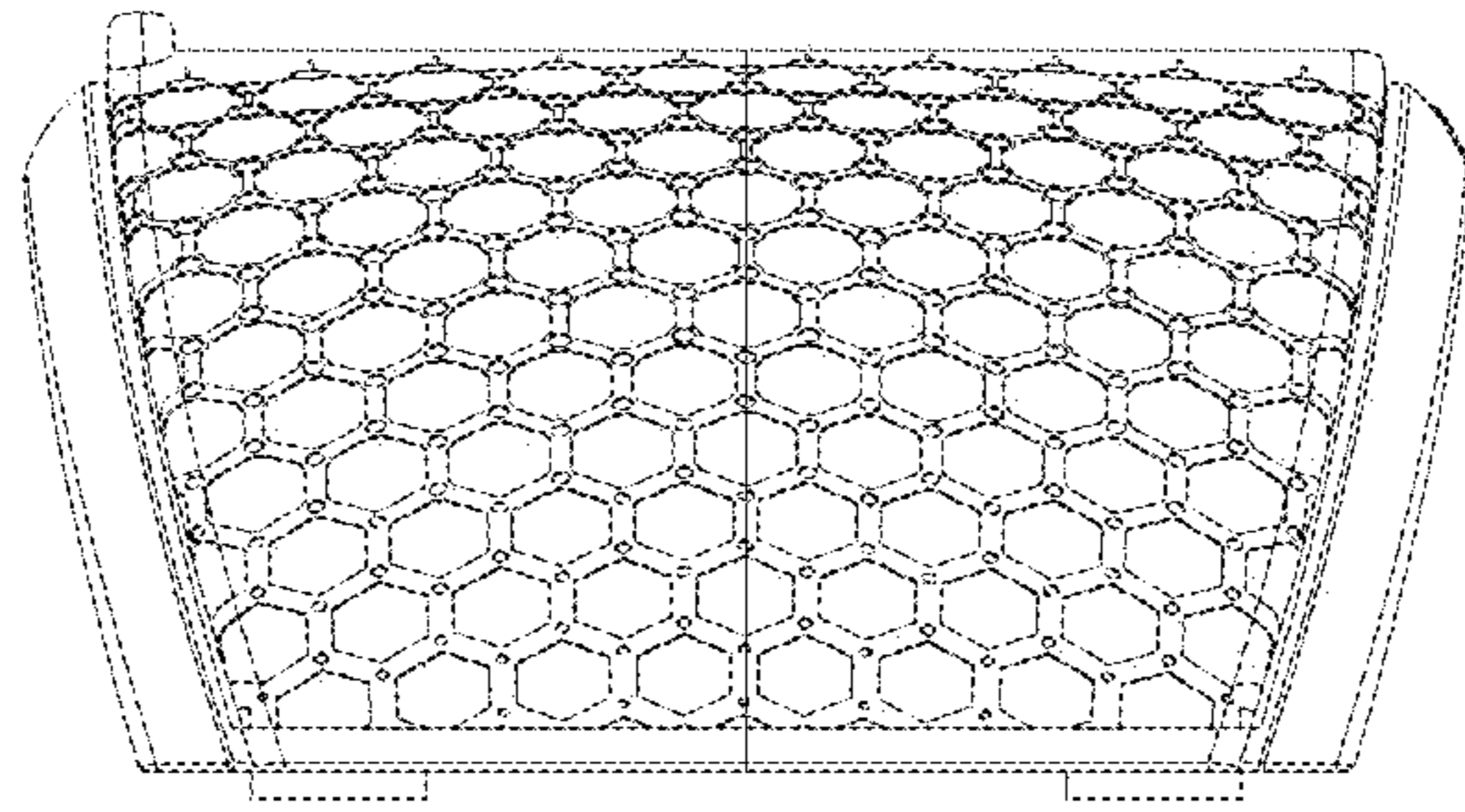


Fig. 7

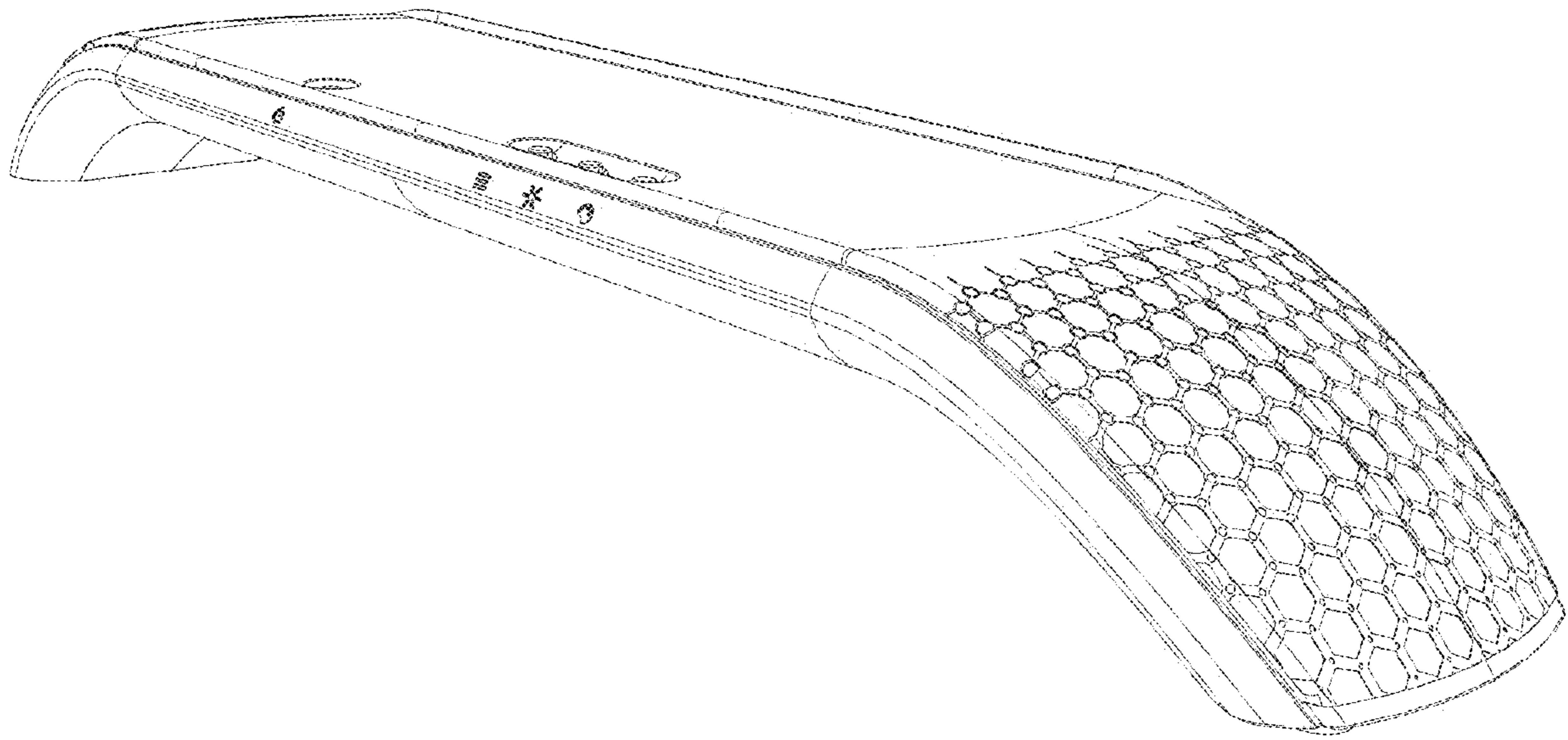
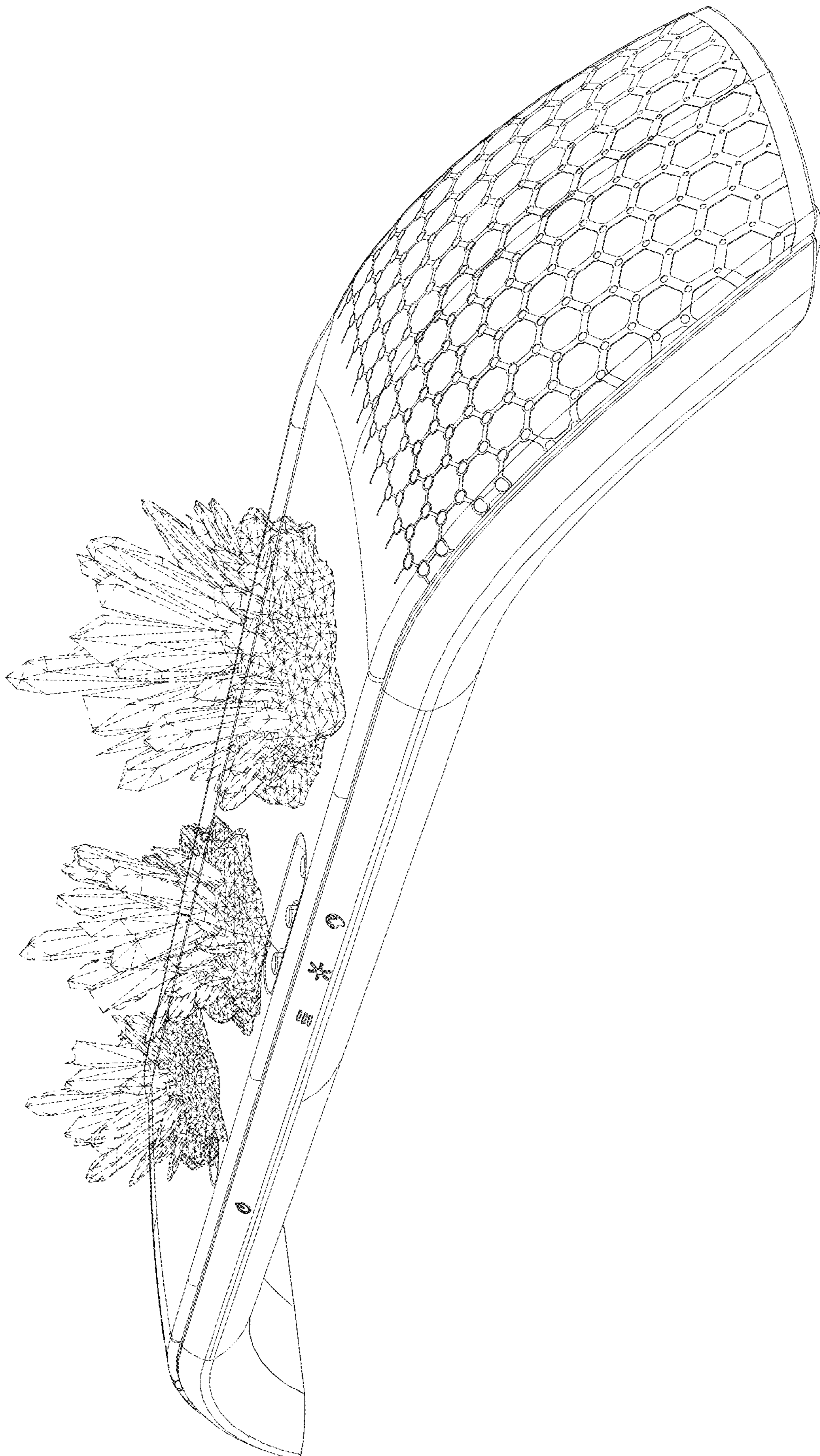


Fig. 8

FIG. 9



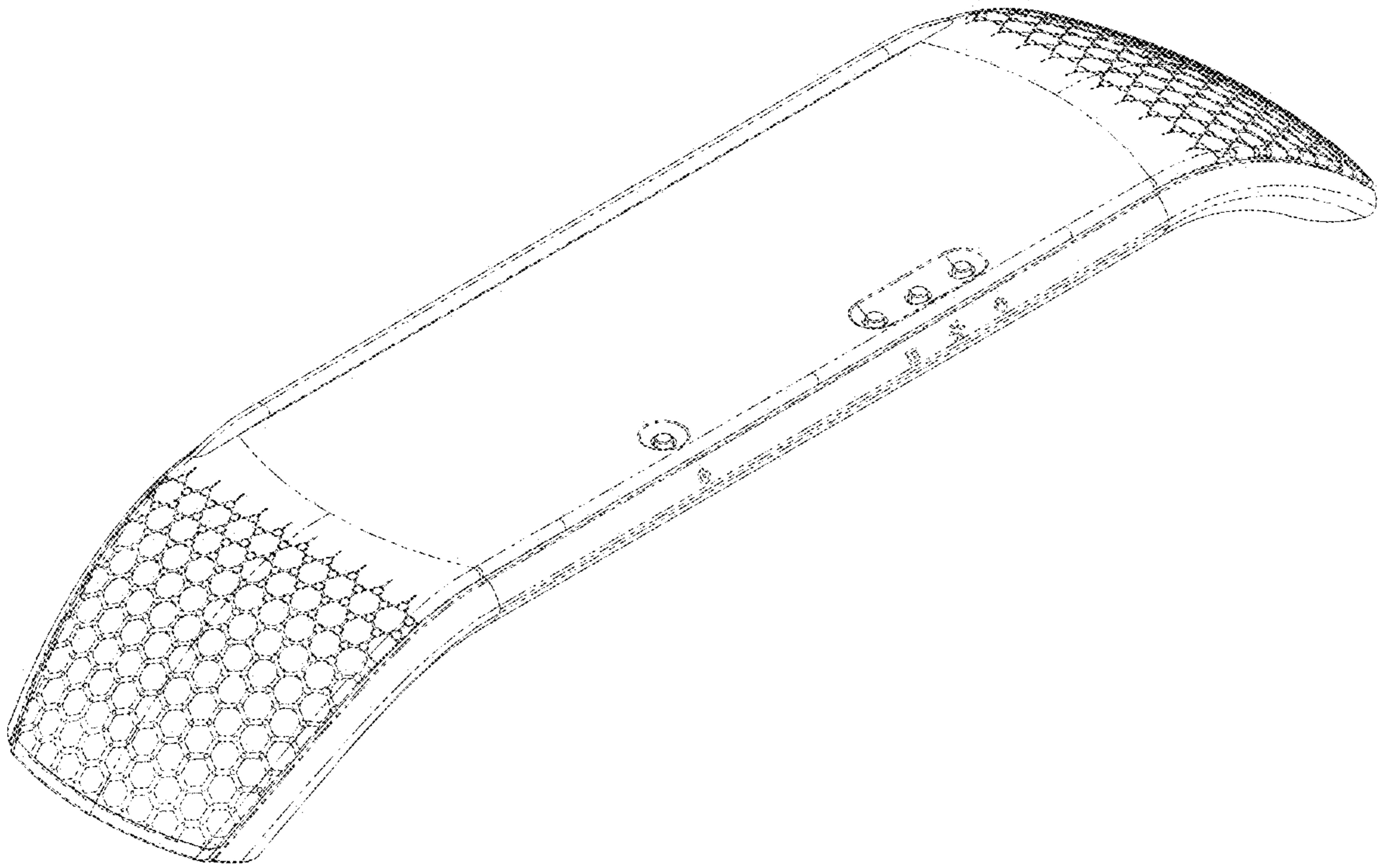


Fig. 10

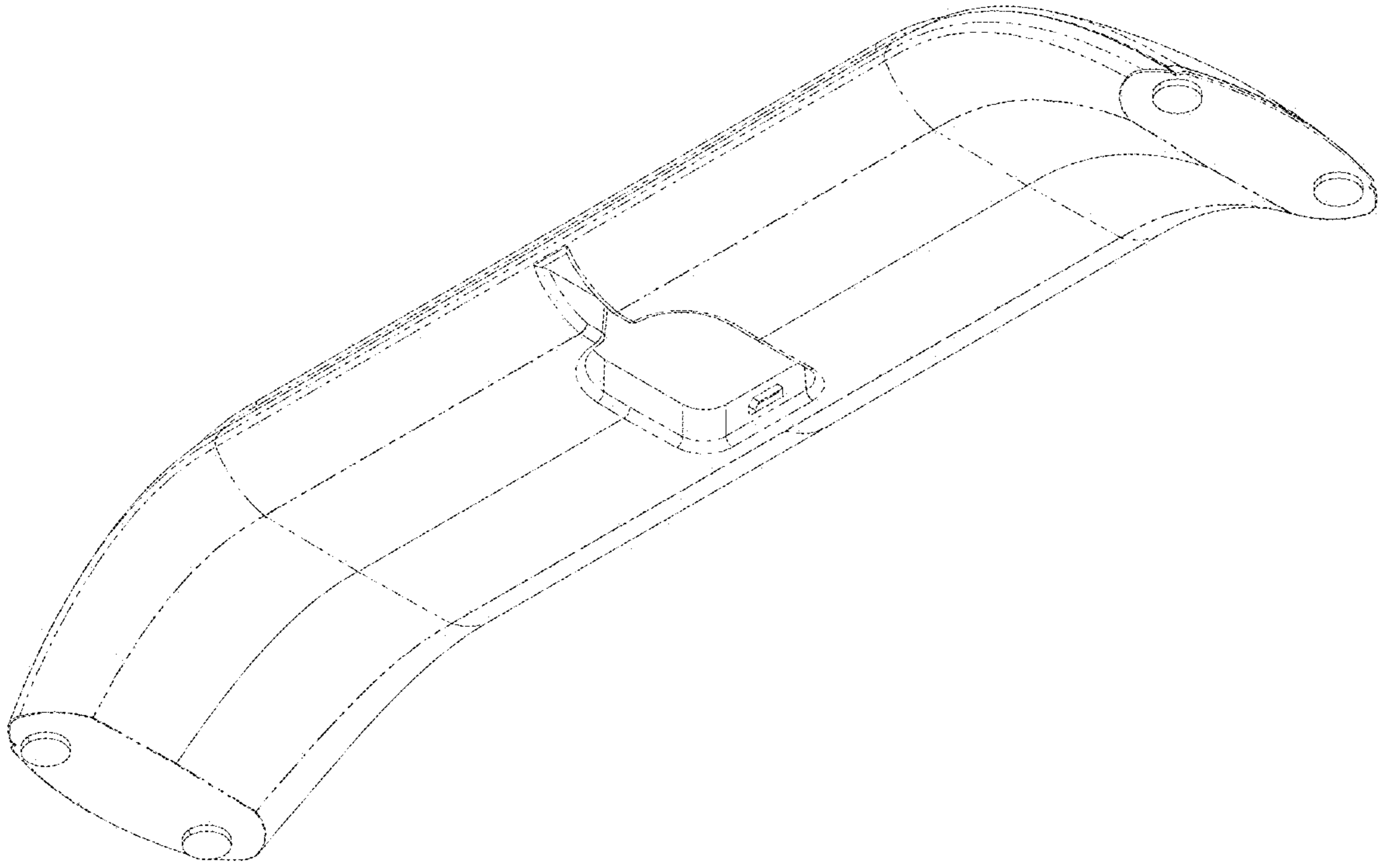


Fig. 11

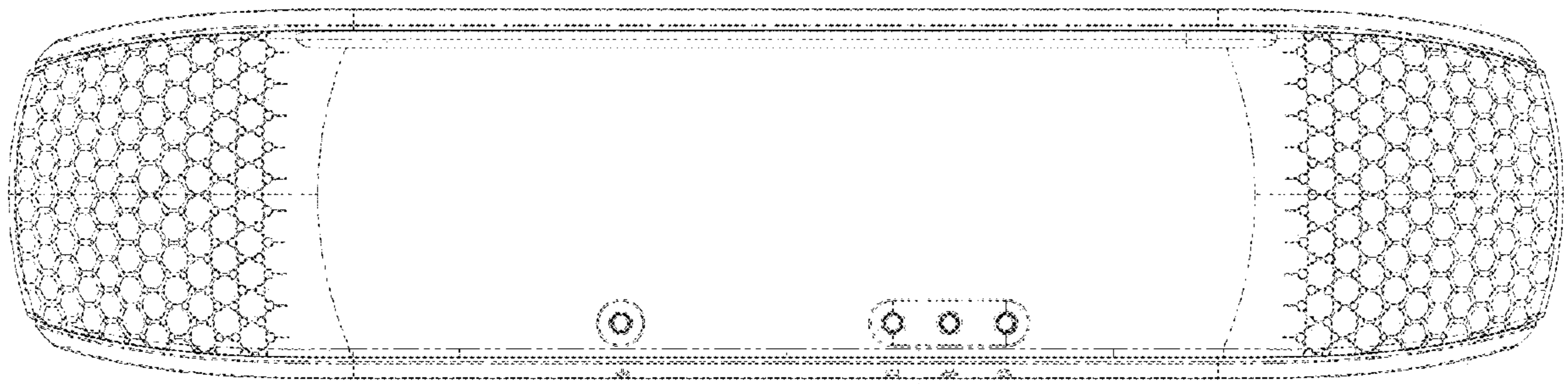


Fig. 12

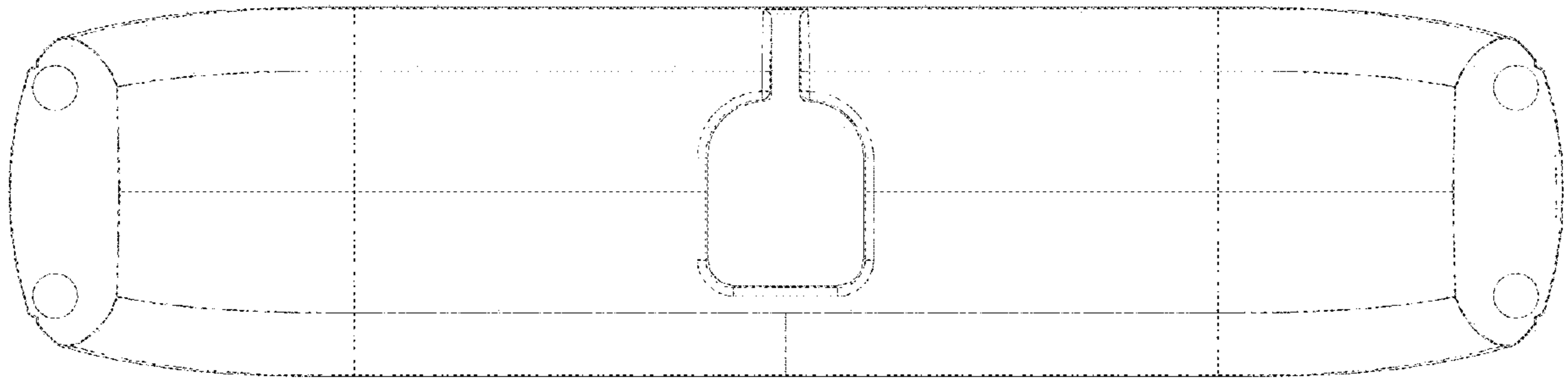


Fig. 13

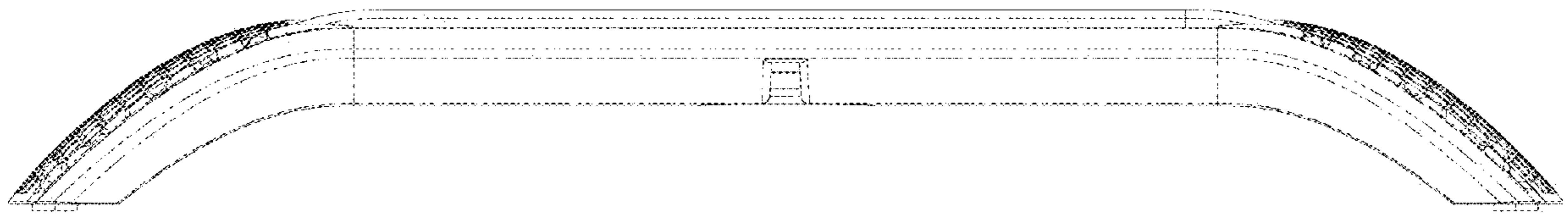


Fig. 14



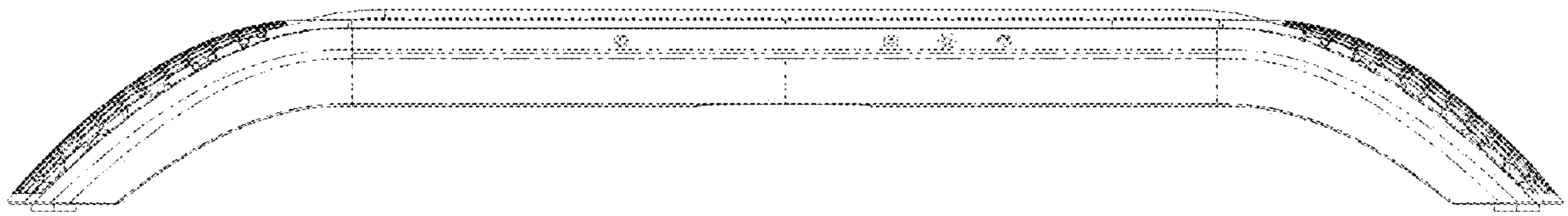


Fig. 15

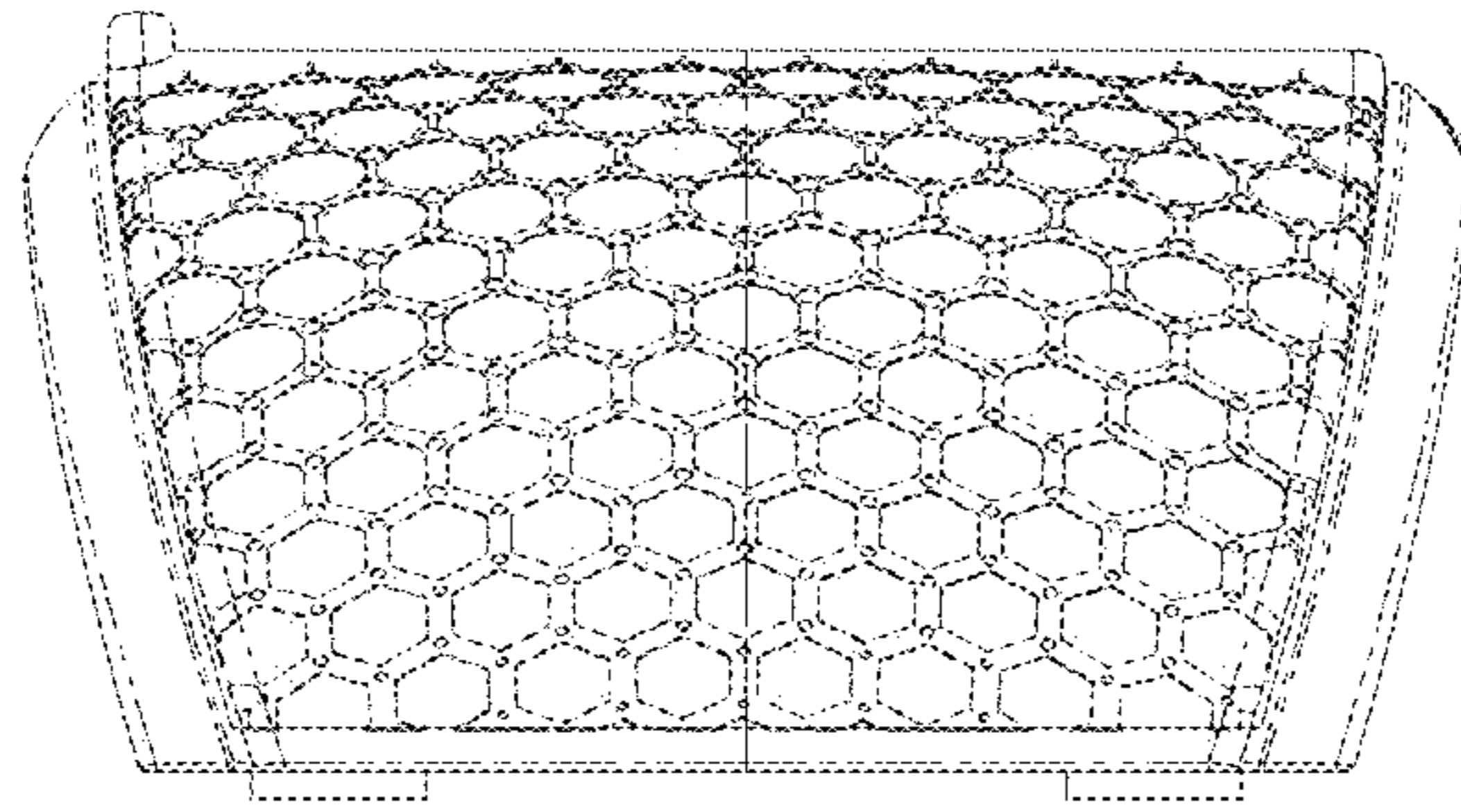


Fig. 16

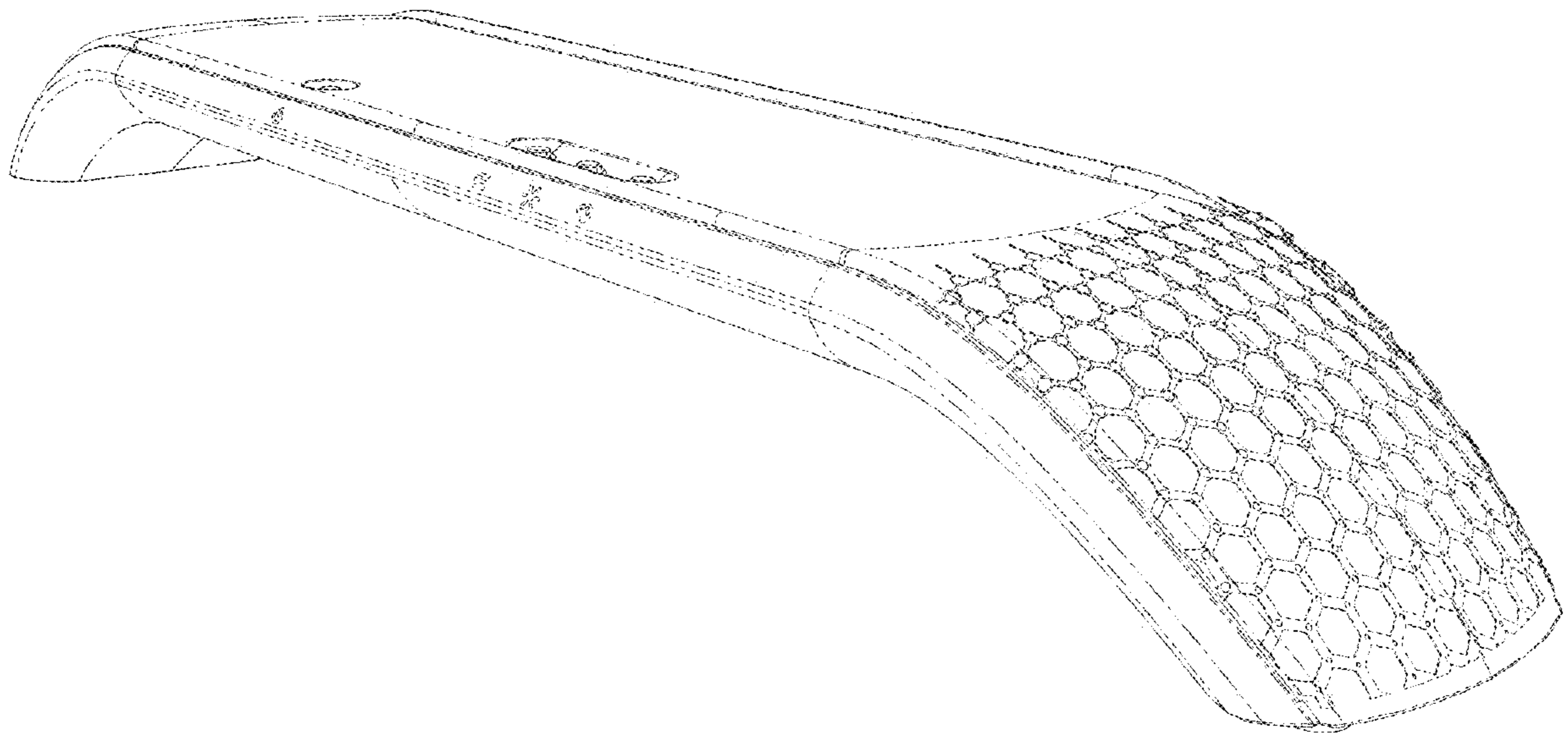


Fig. 17

FIG. 18

