



US00D970929S

(12) **United States Design Patent**
Fan

(10) **Patent No.:** **US D970,929 S**

(45) **Date of Patent:** **** Nov. 29, 2022**

(54) **MAKEUP STORAGE CABINET**

(71) Applicant: **Meilan Fan**, Fuzhou (CN)

(72) Inventor: **Meilan Fan**, Fuzhou (CN)

(**) Term: **15 Years**

(21) Appl. No.: **29/836,532**

(22) Filed: **Apr. 27, 2022**

(51) **LOC (13) Cl.** **06-04**

(52) **U.S. Cl.**
USPC **D6/667**

(58) **Field of Classification Search**
USPC D6/663, 664, 667, 671, 671.1, 671.2,
D6/671.3, 671.4; D3/284, 294, 295, 296,
D3/297, 298, 901, 903
CPC A47B 17/04; A47B 47/00; A47B 47/04;
A47B 57/00; A47B 67/00; A47B 67/04;
A47B 88/00; A47B 88/40; A47B 88/42;
A47B 49/004; A47B 88/90; A45C 11/16;
G09F 5/02; A47C 7/021; A47C 7/03

See application file for complete search history.

(56) **References Cited**

U.S. PATENT DOCUMENTS

D4,841 S *	4/1871	Farmer	D6/667
D314,291 S *	2/1991	Powell	D6/671.1
D319,153 S *	8/1991	Powell	D3/903
D320,317 S *	10/1991	Powell	D3/903
D322,525 S *	12/1991	Powell	D6/667
D341,715 S *	11/1993	Ancona	D3/901
D358,708 S *	5/1995	Ko	D3/297
D475,197 S *	6/2003	Stoddard	D3/284
D485,067 S *	1/2004	Wolf	D3/903
D730,660 S *	6/2015	Chen	D6/667

D757,434 S *	5/2016	Beilman	D3/901
D808,198 S *	1/2018	Sun	D6/671.1
D828,030 S	9/2018	Hajiri		
D878,113 S *	3/2020	Leonorovitz	D6/667

OTHER PUBLICATIONS

Songmics 6 Tier Jewelry Box with Drawers, Mirror and Lock, Storage Organizer for Bracelets Earrings Rings Necklaces Watches, Black UJBC152B01, amazon.com, Retrieved Date: Sep. 10, 2022, p. 1, from https://www.amazon.com/SONGMICS-Organizer-Bracelets-Necklaces-UJBC152B01/dp/B086QWHDMV/ref=sr_1_20?c=ts&keywords=Jewelry+Boxes&qid=1662849075&s=apparel&sr=1-20&ts_id=16350291 (Year: 2022).*

* cited by examiner

Primary Examiner — Mimosa De

(74) *Attorney, Agent, or Firm* — Jeenam Park

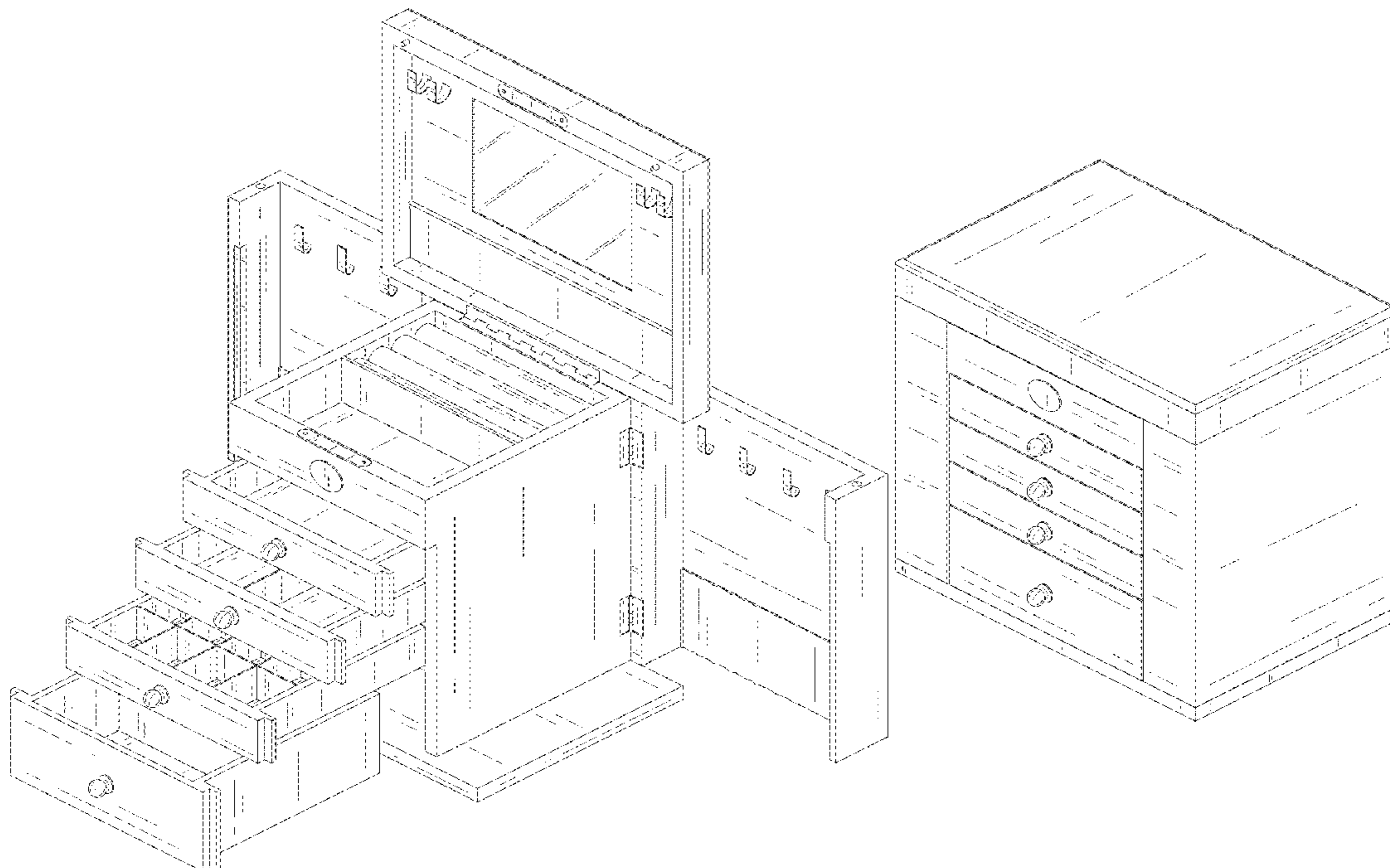
(57) **CLAIM**

The ornamental design for a makeup storage cabinet, as shown and described.

DESCRIPTION

FIG. 1 is a perspective view of a makeup storage cabinet, showing my new design;
FIG. 2 is another perspective view thereof;
FIG. 3 is a perspective view in a close configuration thereof;
FIG. 4 is a front view thereof;
FIG. 5 is a rear view thereof;
FIG. 6 is a left side view thereof;
FIG. 7 is a right side view thereof;
FIG. 8 is a top plan view thereof; and,
FIG. 9 is a bottom plan view thereof.

1 Claim, 9 Drawing Sheets



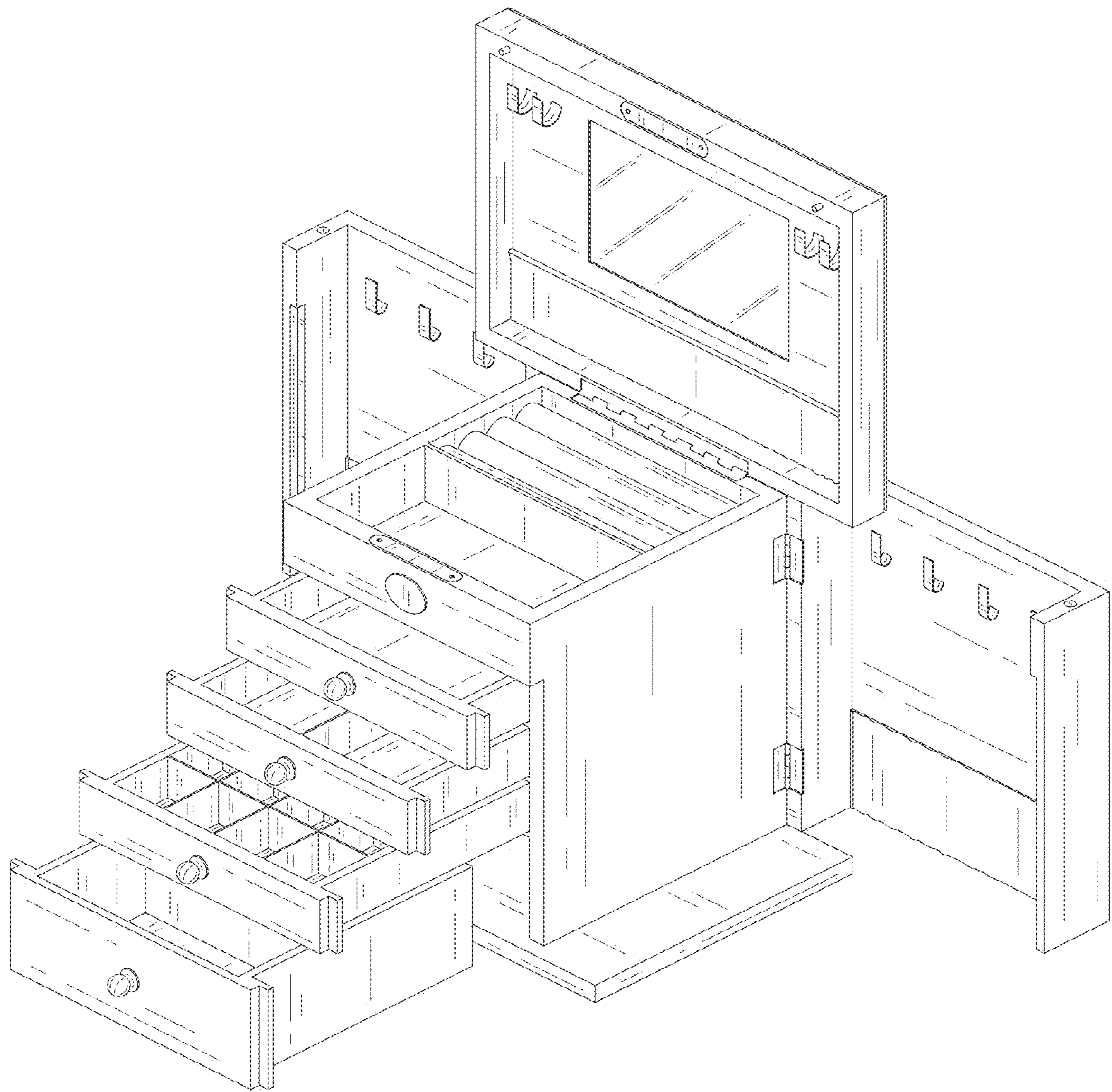


FIG. 1

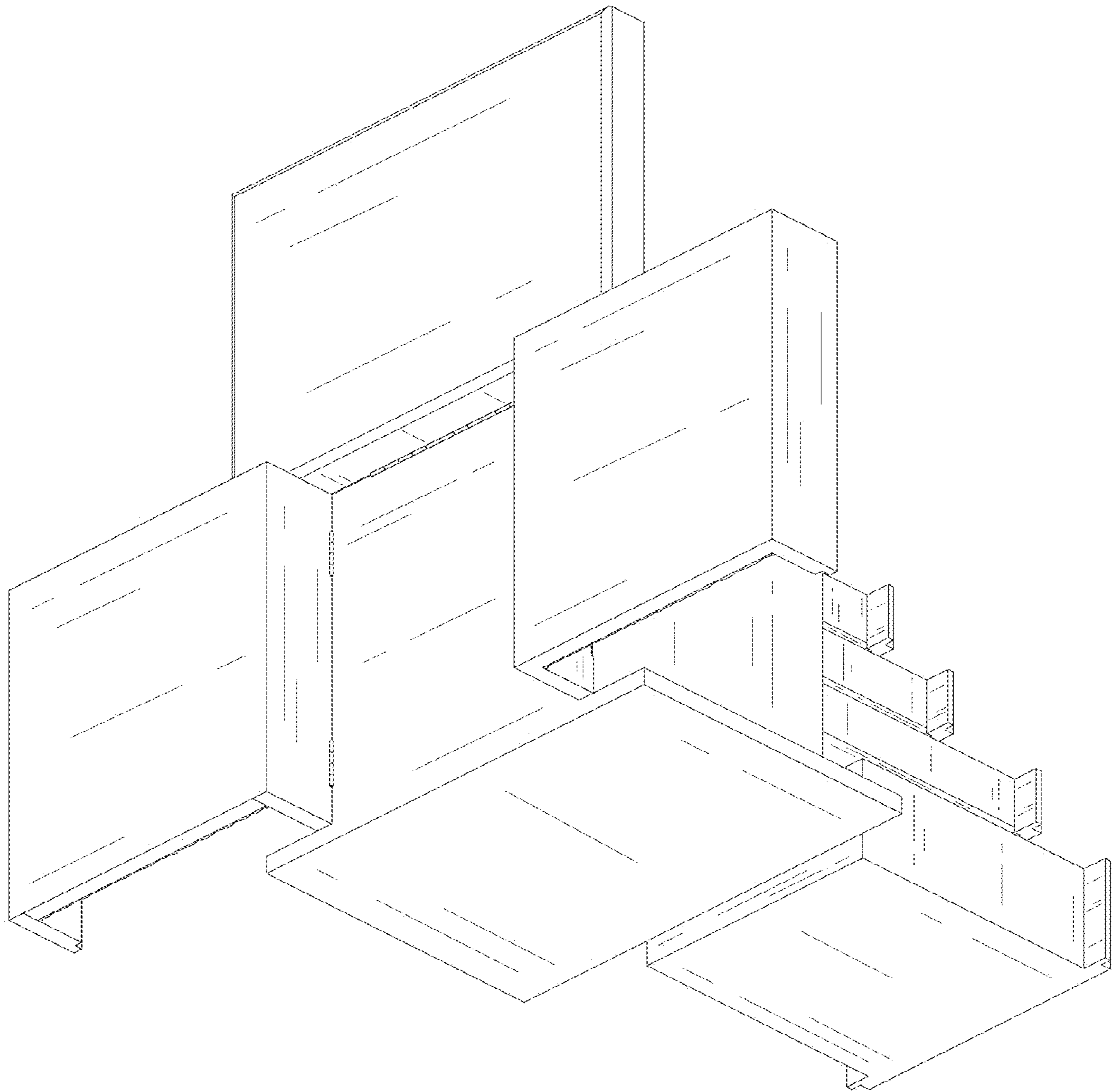


FIG. 2

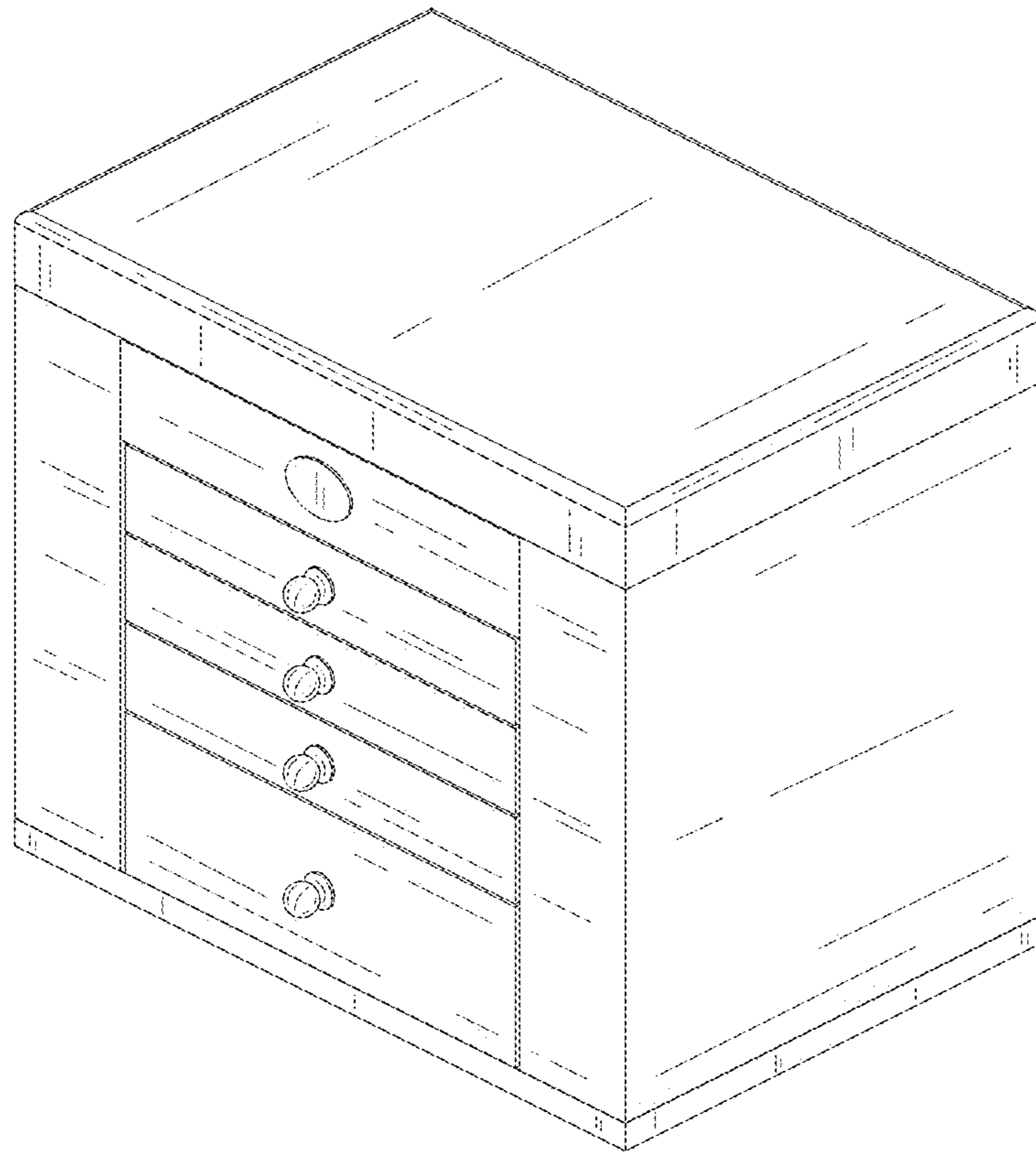


FIG. 3

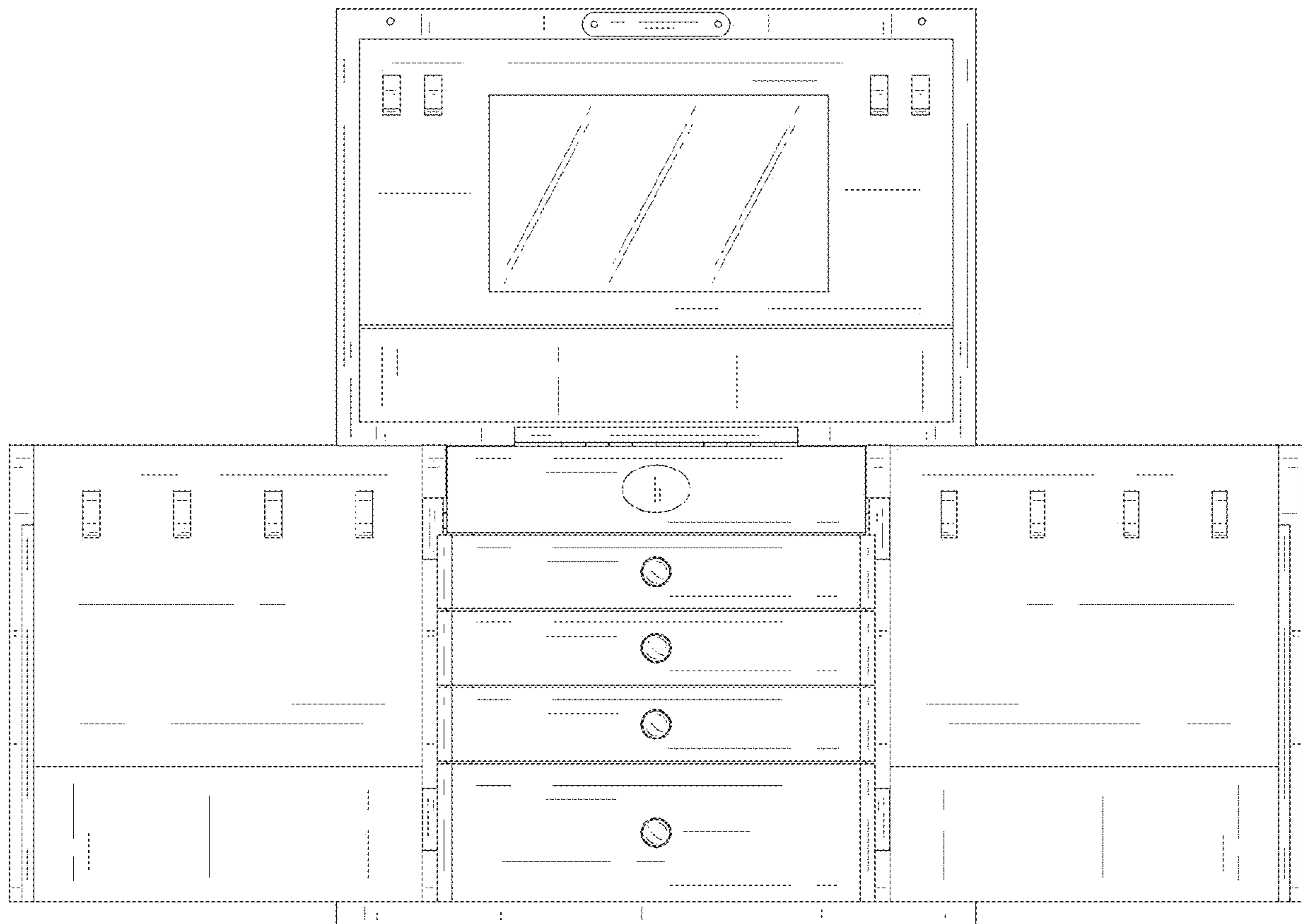


FIG. 4

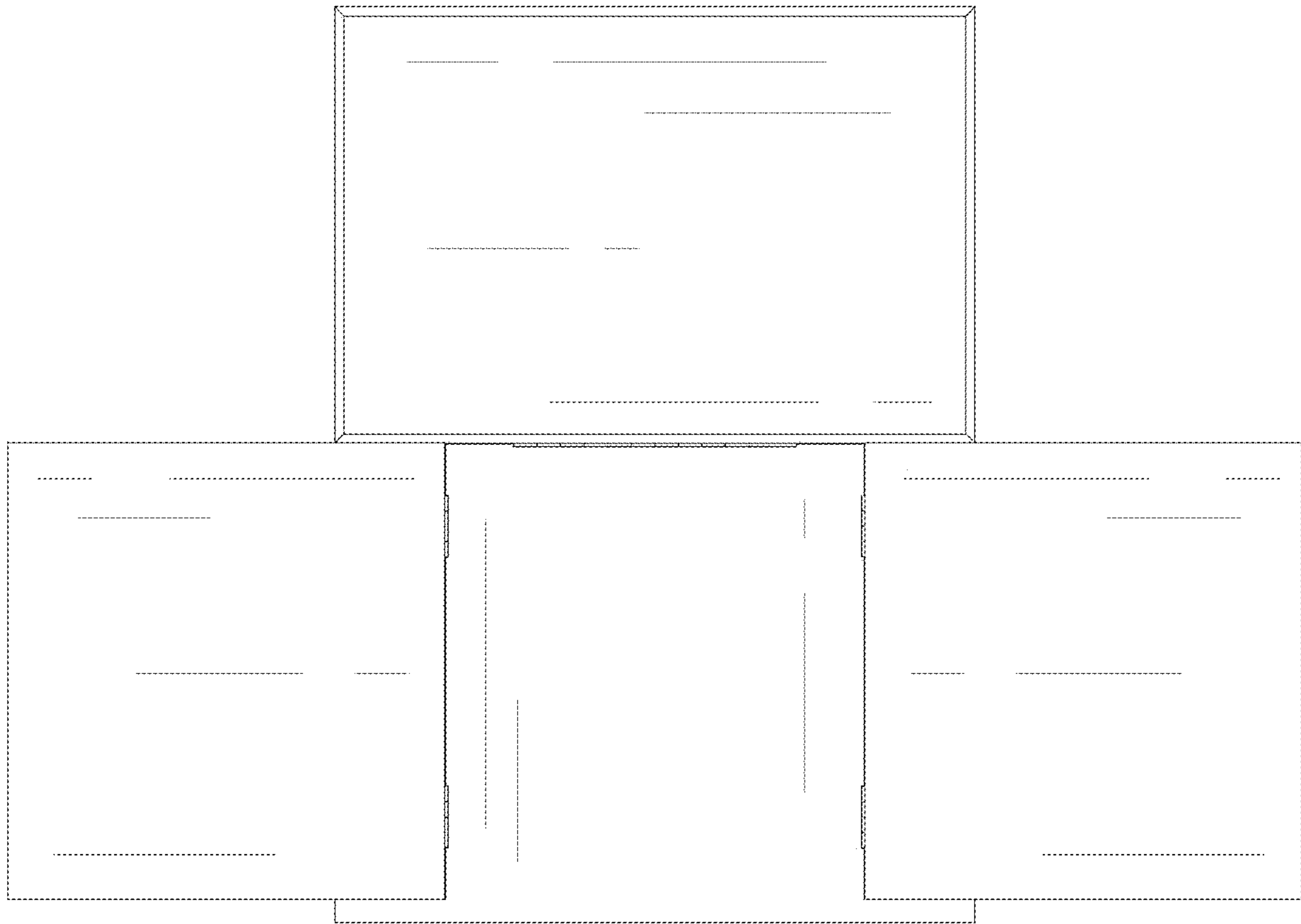


FIG. 5

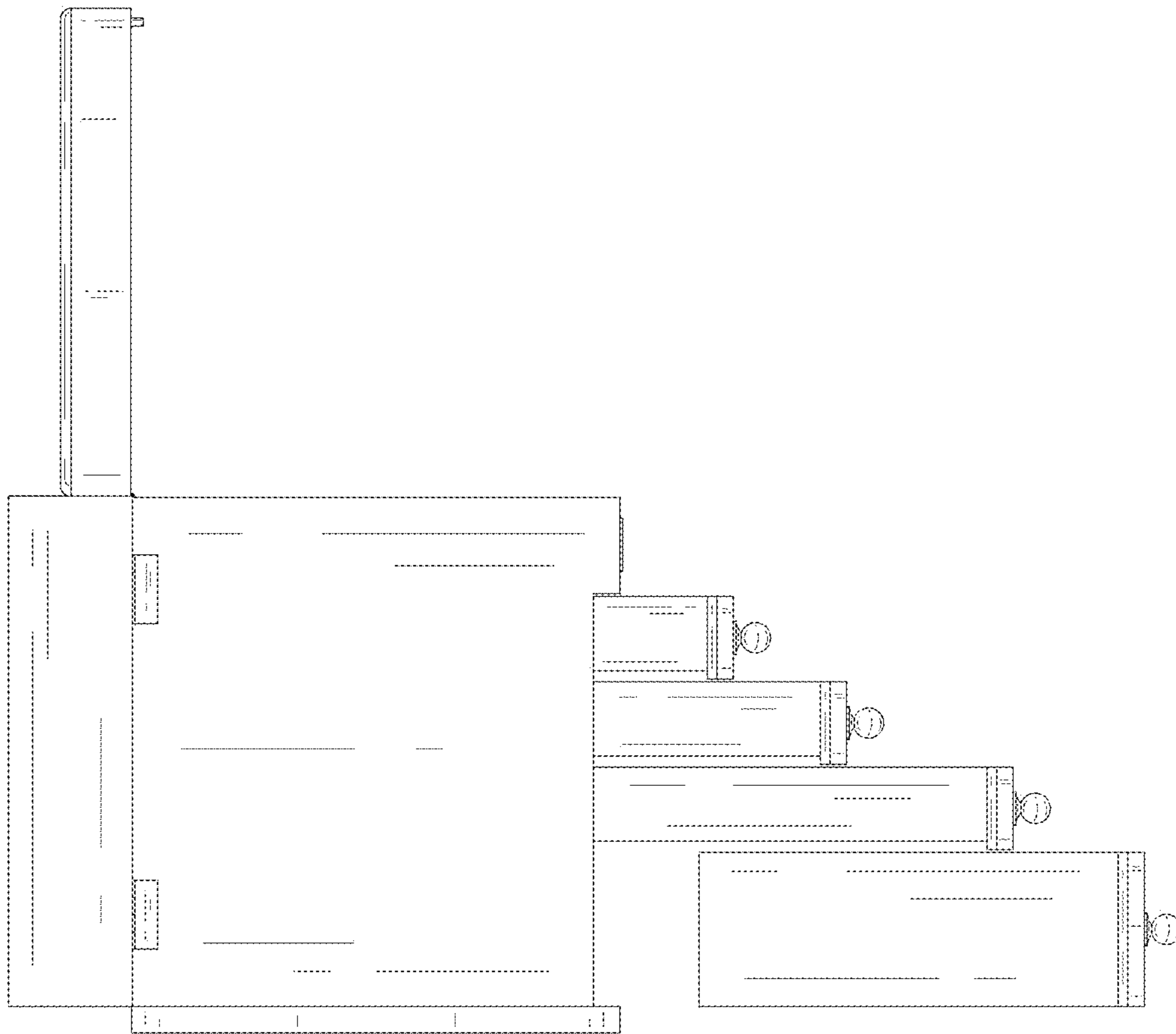


FIG. 6

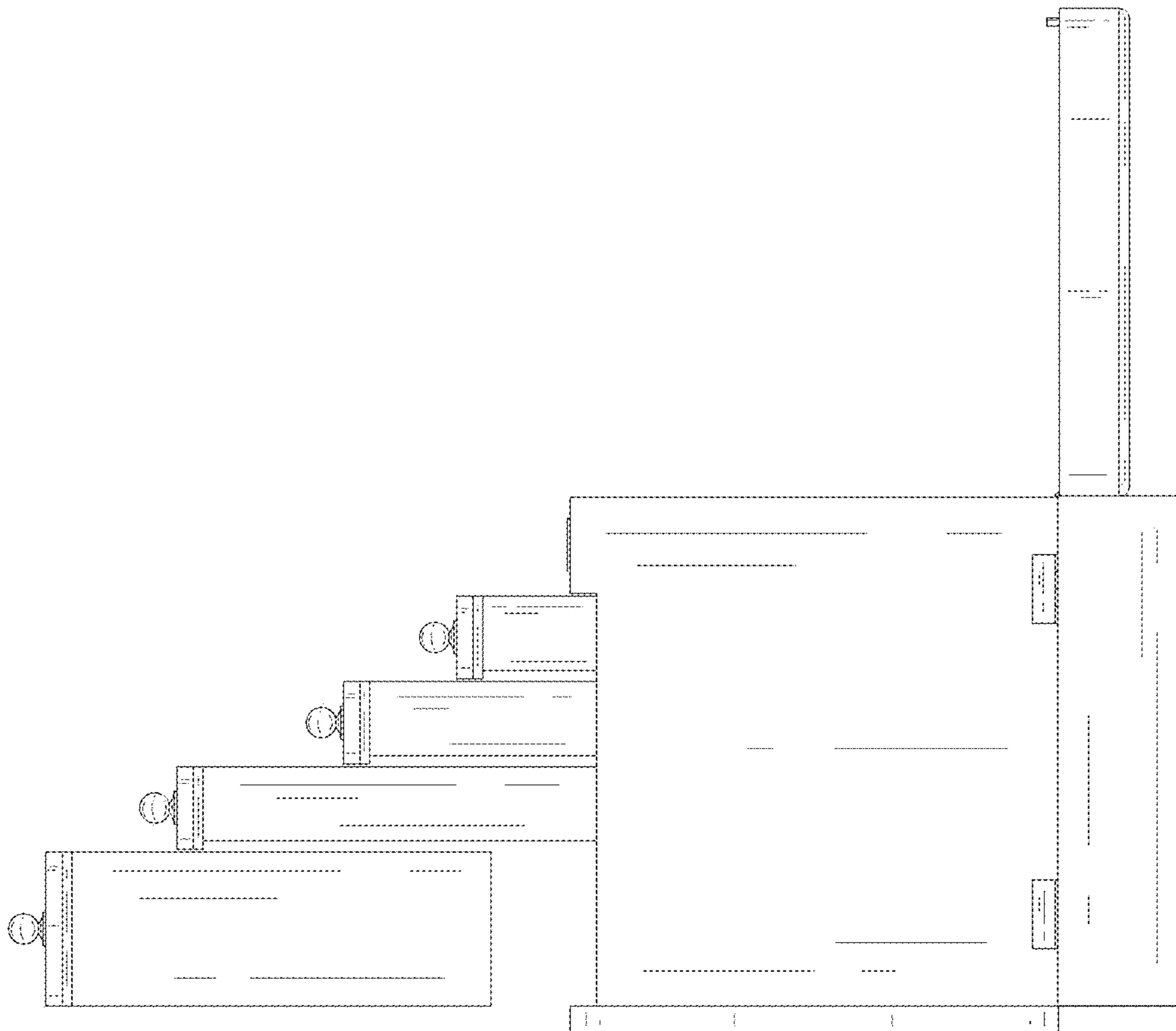


FIG. 7

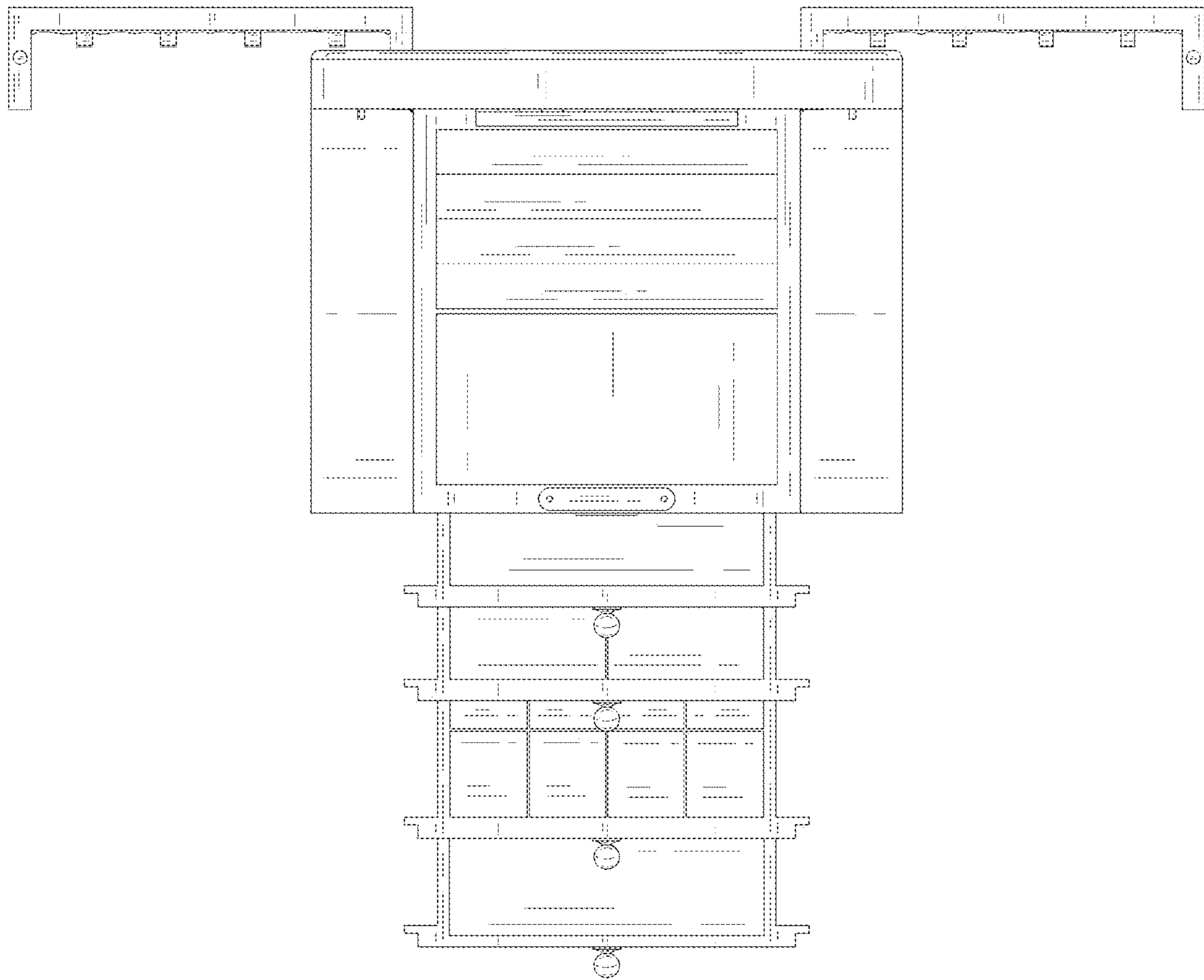


FIG. 8

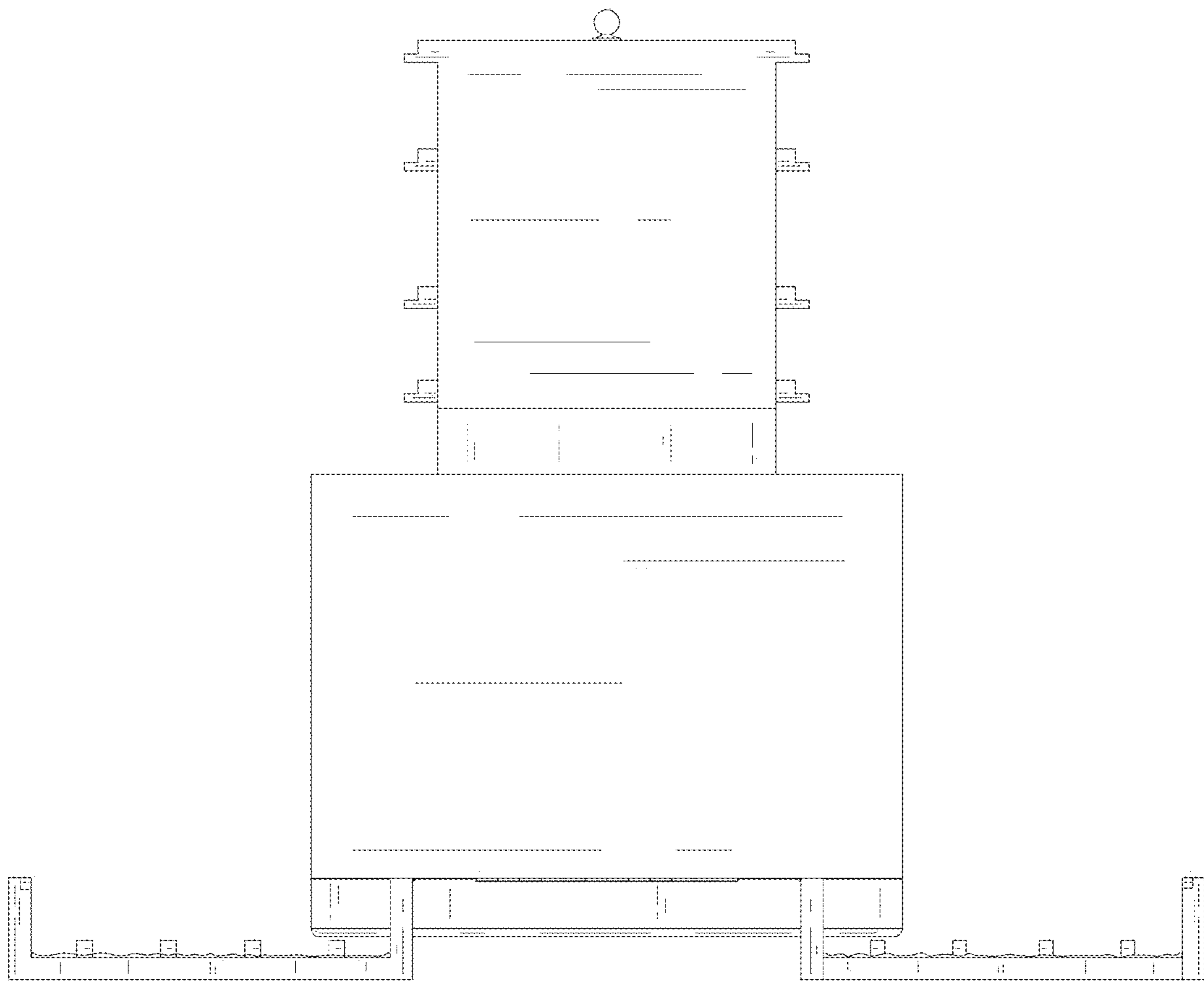


FIG. 9