



US00D970924S

(12) **United States Design Patent**
Wang

(10) **Patent No.:** **US D970,924 S**

(45) **Date of Patent:** **** Nov. 29, 2022**

(54) **BABY NEST PILLOW**

(71) Applicant: **SHENZHEN LAIWENTANG**
E-COMMERCE CO., LTD., Shenzhen
(CN)

(72) Inventor: **Tao Wang**, Shenzhen (CN)

(73) Assignee: **SHENZHEN LAIWENTANG**
E-COMMERCE CO., LTD., Shenzhen
(CN)

(**) Term: **15 Years**

(21) Appl. No.: **29/811,389**

(22) Filed: **Oct. 13, 2021**

(30) **Foreign Application Priority Data**

Jul. 28, 2021 (CN) 202130482718.X

(51) **LOC (13) Cl.** **06-13**

(52) **U.S. Cl.**
USPC **D6/601**

(58) **Field of Classification Search**
USPC D6/390, 582–583, 587–592, 595–609,
D6/611, 617–622; D2/719, 731, 740,
D2/741; D21/803, 809
CPC A47D 15/008; A47D 15/003
See application file for complete search history.

(56) **References Cited**

U.S. PATENT DOCUMENTS

D353,506 S * 12/1994 Brandon D6/583
5,979,981 A * 11/1999 Dunne A47D 15/006
5/655
6,363,558 B1 * 4/2002 Dunne A47D 15/008
5/655
6,966,089 B2 * 11/2005 Gold A47C 7/386
5/655
D552,244 S * 10/2007 Tinsley D24/183

D595,384 S * 6/2009 Marciano D21/803
D618,943 S * 7/2010 Gold D6/601
9,332,791 B1 * 5/2016 Bush A47D 15/003
D766,014 S 9/2016 Choi

(Continued)

FOREIGN PATENT DOCUMENTS

KR 301008832.0000 * 6/2019
KR 301038542.0000 * 1/2020

OTHER PUBLICATIONS

DaKos Baby Pillow-Amazon.in,date published Sep. 1, 2020,date
retrieved Sep. 22, 2022-29811389—<https://www.amazon.in/DaKos-Rollover-Mattress-Prevents-Syndrome/dp/B08H5H7GP6> (Year: 2020).*

(Continued)

Primary Examiner — Jennifer L Rempfer
Assistant Examiner — Danielle Nichole Bowly

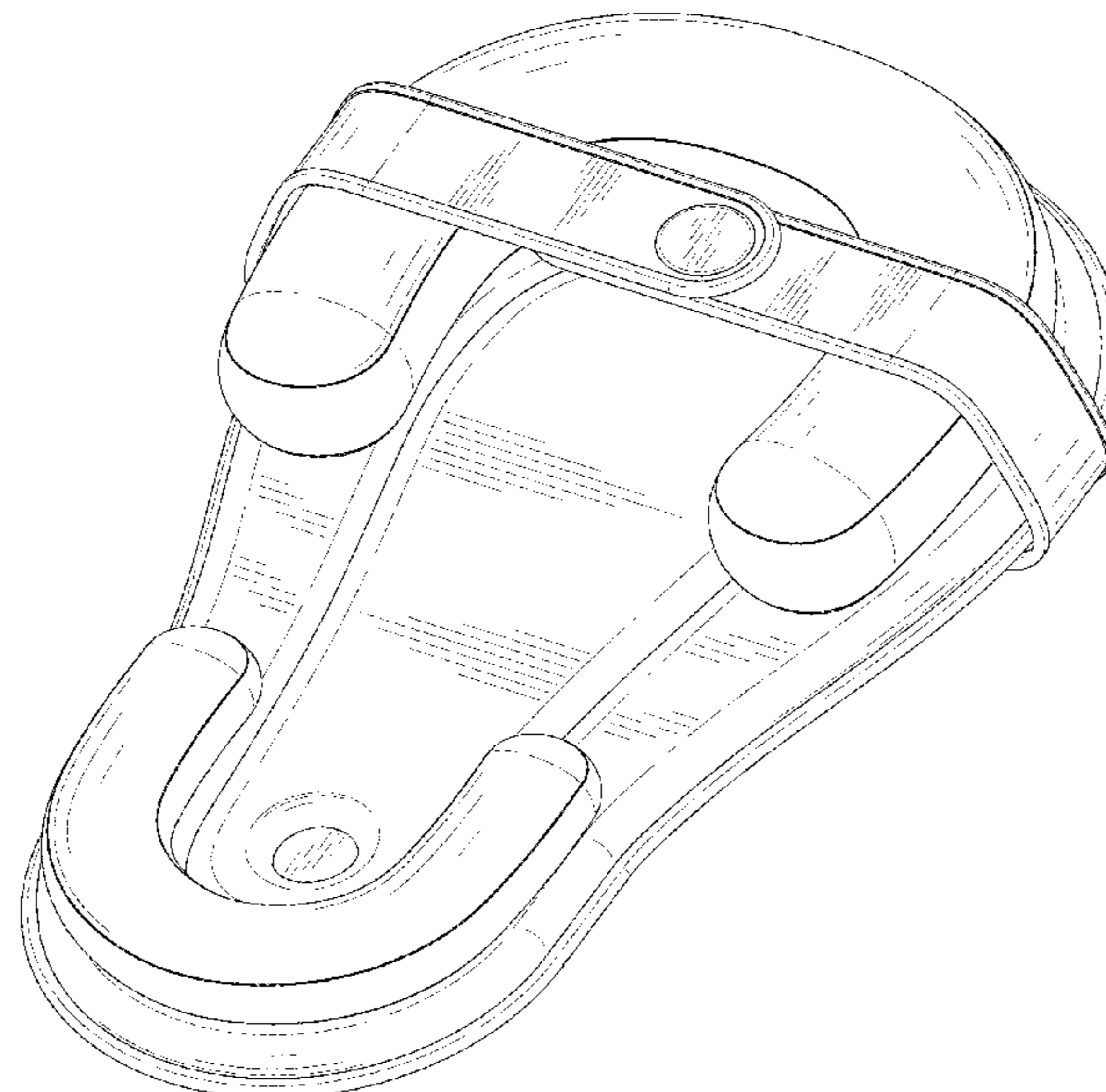
(57) **CLAIM**

The ornamental design for a baby nest pillow, as shown and
described.

DESCRIPTION

FIG. 1 is a perspective view of a baby nest pillow showing
my new design;
FIG. 2 is another perspective view thereof;
FIG. 3 is a front elevational view thereof;
FIG. 4 is a rear elevational view thereof;
FIG. 5 is a left side elevational view thereof;
FIG. 6 is a right side elevational view thereof;
FIG. 7 is a top plan view thereof;
FIG. 8 is a bottom plan view thereof;
FIG. 9 is a perspective view of the baby nest pillow where
the baby nest pillow is in an open state;
FIG. 10 is a front elevational view of FIG. 9; and,
FIG. 11 is a rear elevational view thereof.
The broken lines in the drawings depict portions of the baby
nest pillow that form no part of the claimed design.

1 Claim, 11 Drawing Sheets



(56)

References Cited

U.S. PATENT DOCUMENTS

D800,480 S * 10/2017 Paperno A47D 15/005
D6/596
D834,868 S * 12/2018 Knowlton D6/611
D838,122 S * 1/2019 Faniku D6/596
D839,007 S * 1/2019 Craine D6/333
D875,420 S * 2/2020 Furuland D6/390
D876,127 S 2/2020 Park
D911,745 S * 3/2021 Volla D6/596
D925,947 S * 7/2021 Howard D6/596
2005/0155155 A1 * 7/2005 Kassai A47D 7/002
5/12.1
2006/0150323 A1 * 7/2006 Daeseleire et al. .. A47D 15/003
5/95
2009/0001801 A1 * 1/2009 Gold A47D 15/001
297/452.47
2010/0186165 A1 * 7/2010 Marciano A47C 17/64
5/419
2013/0111661 A1 * 5/2013 Furuland A47D 15/003
5/93.1

OTHER PUBLICATIONS

Infant Pillow, listado.mercadolibre.cl, tineye, date published Dec. 1, 2019, date retrieved Sep. 22, 2022-29811389—<https://tineye.com/search/99c30104645acb238a895990ea00b235ab377af8?sort=score&order=desc&page=1> (Year: 2019).*

* cited by examiner

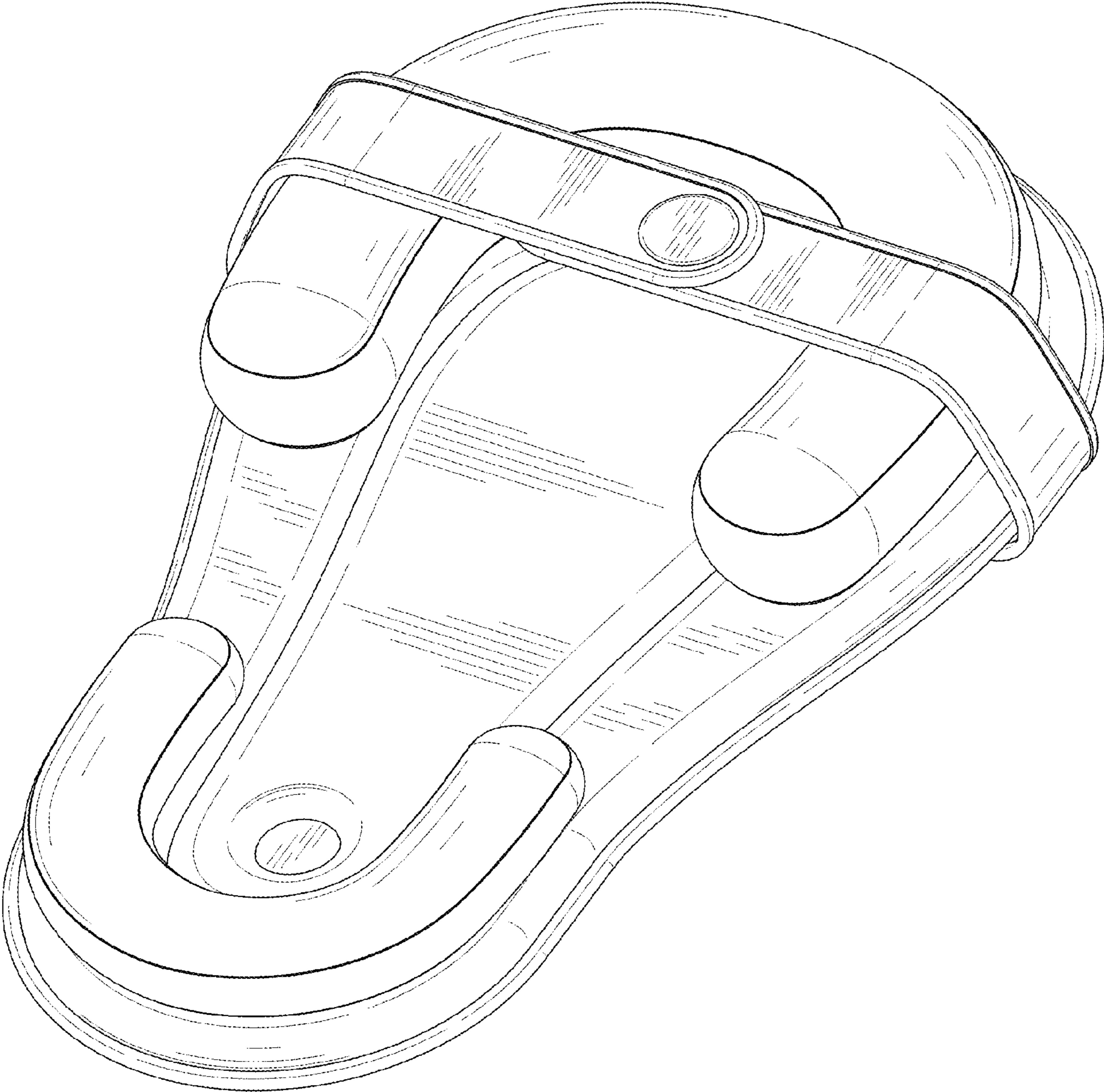


FIG. 1

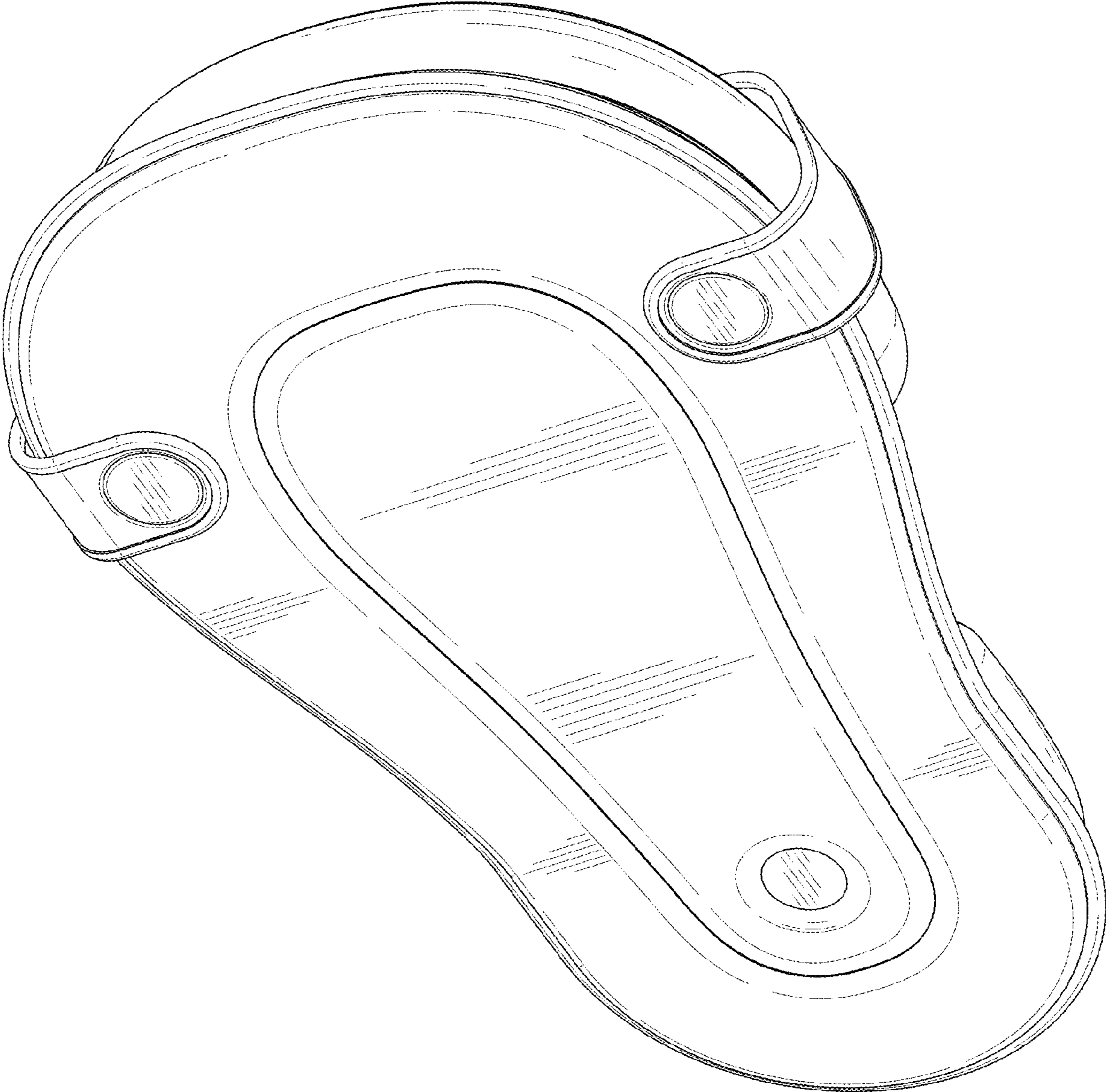


FIG. 2

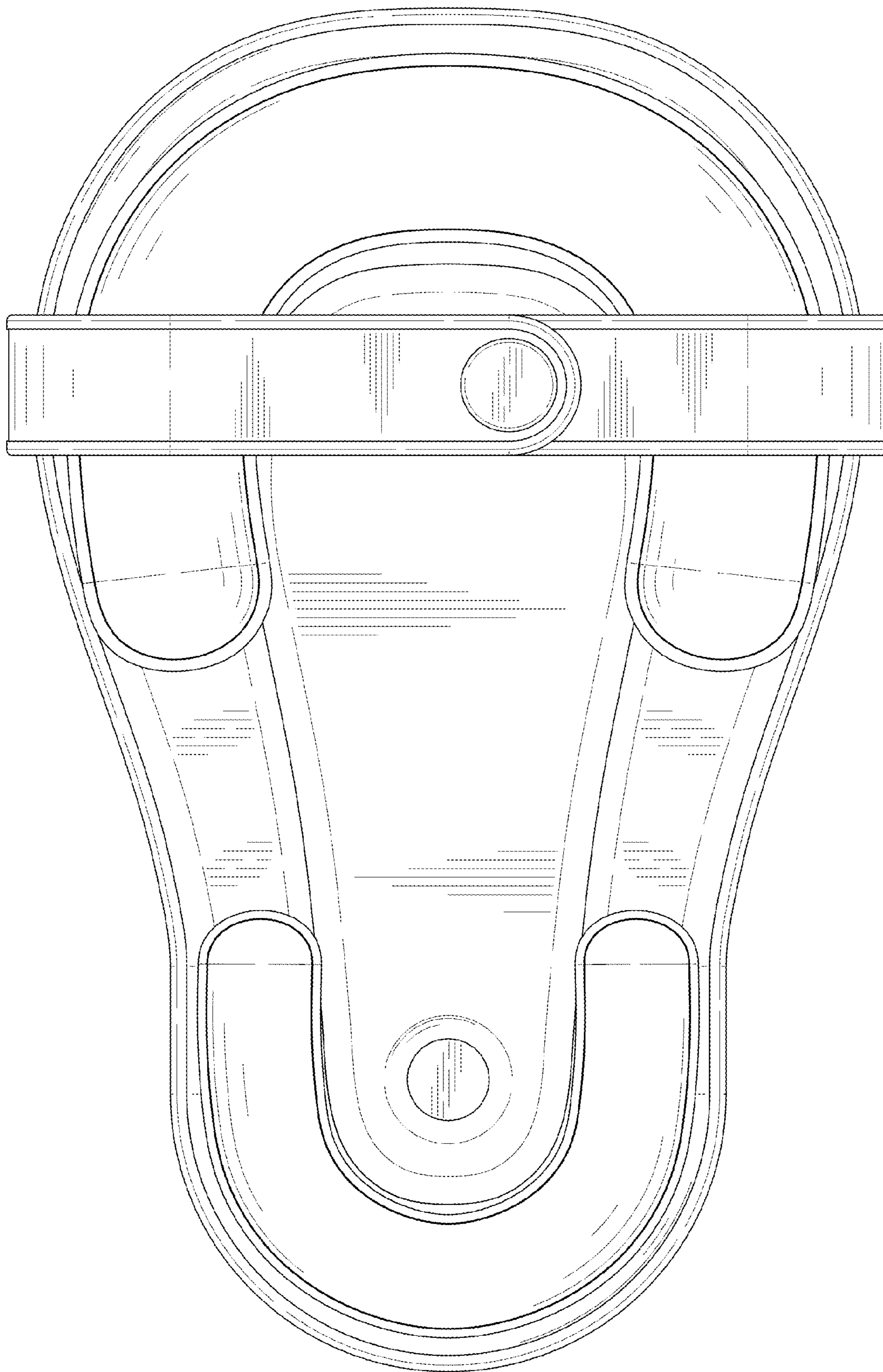


FIG. 3

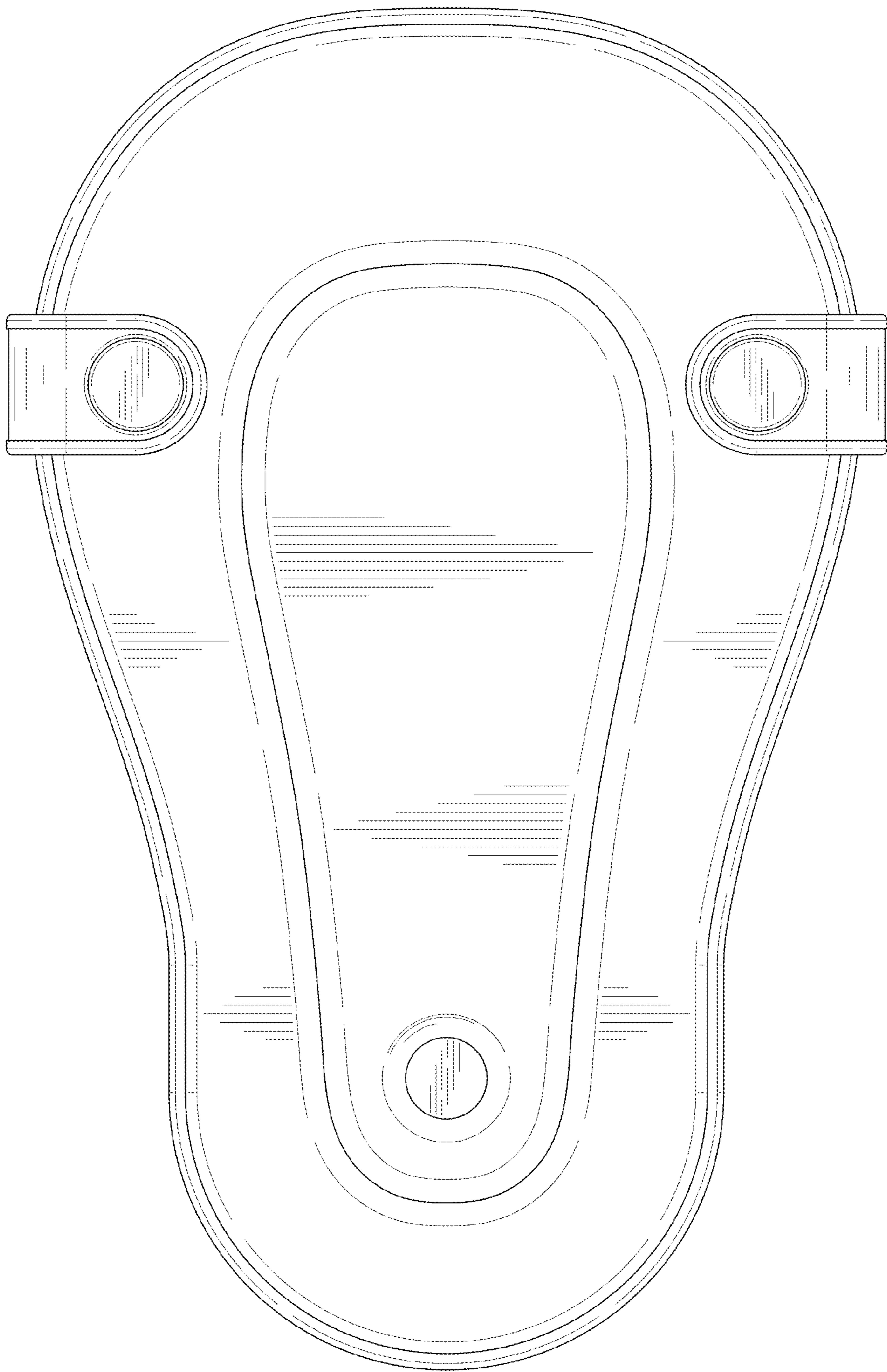


FIG. 4

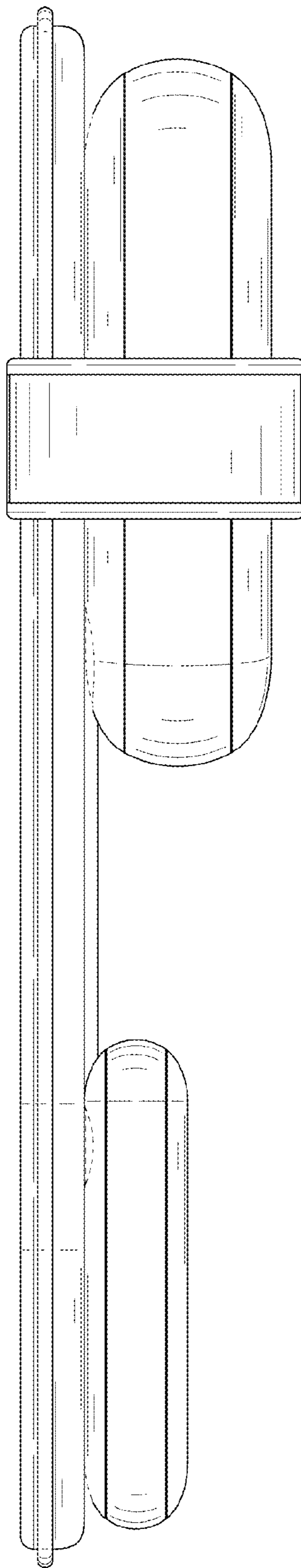


FIG. 5

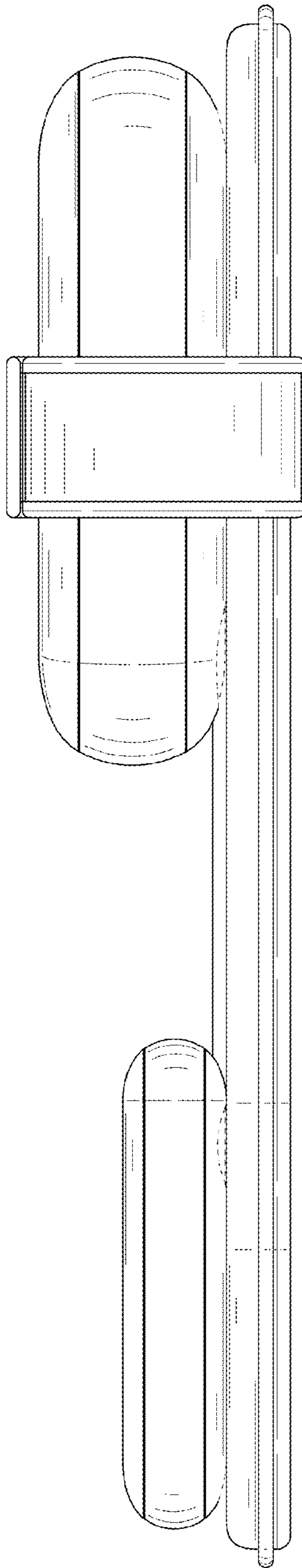


FIG. 6

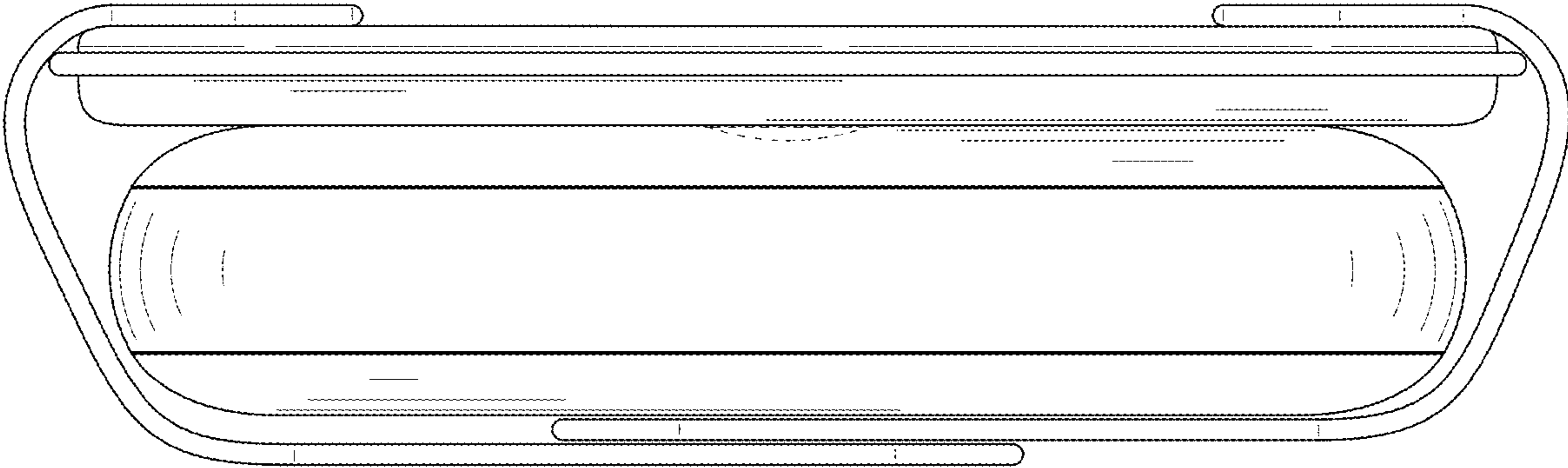


FIG. 7

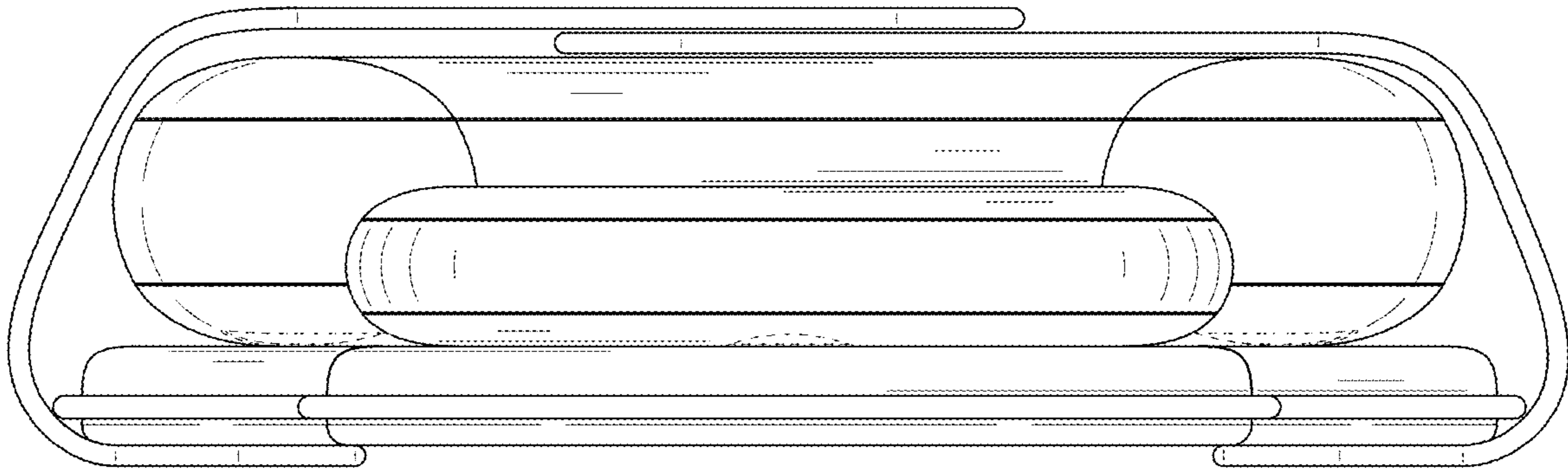


FIG. 8

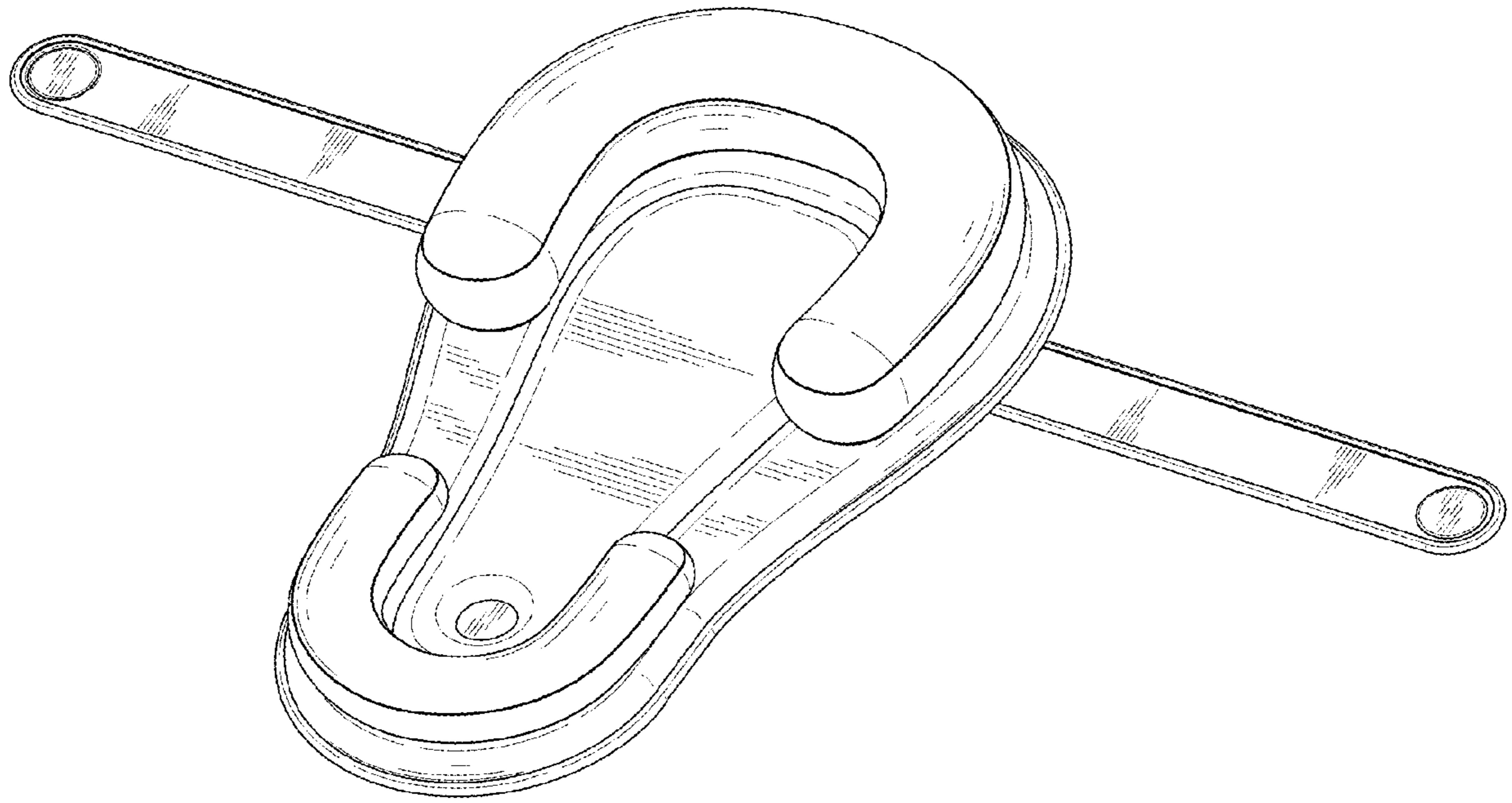


FIG. 9

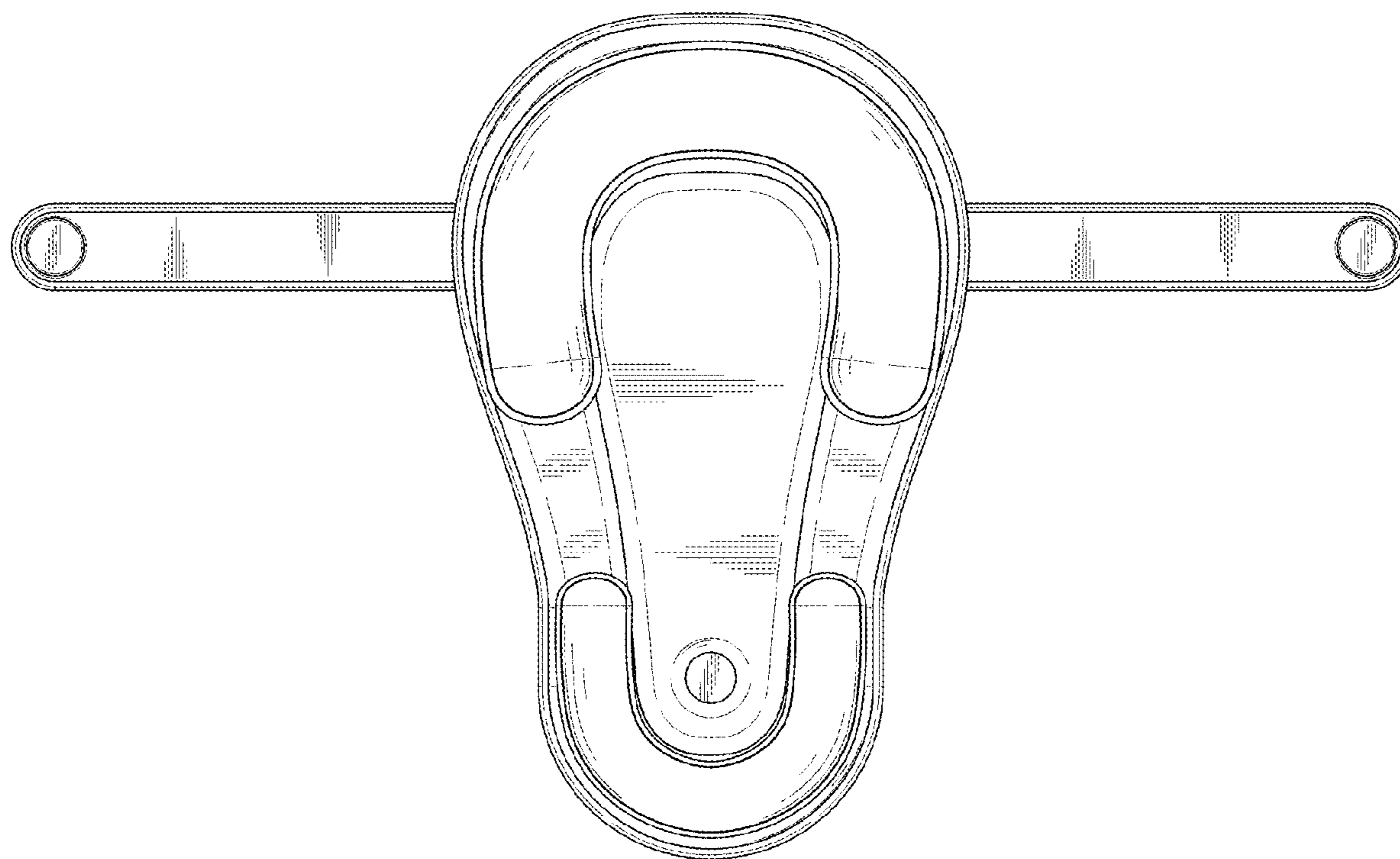


FIG. 10

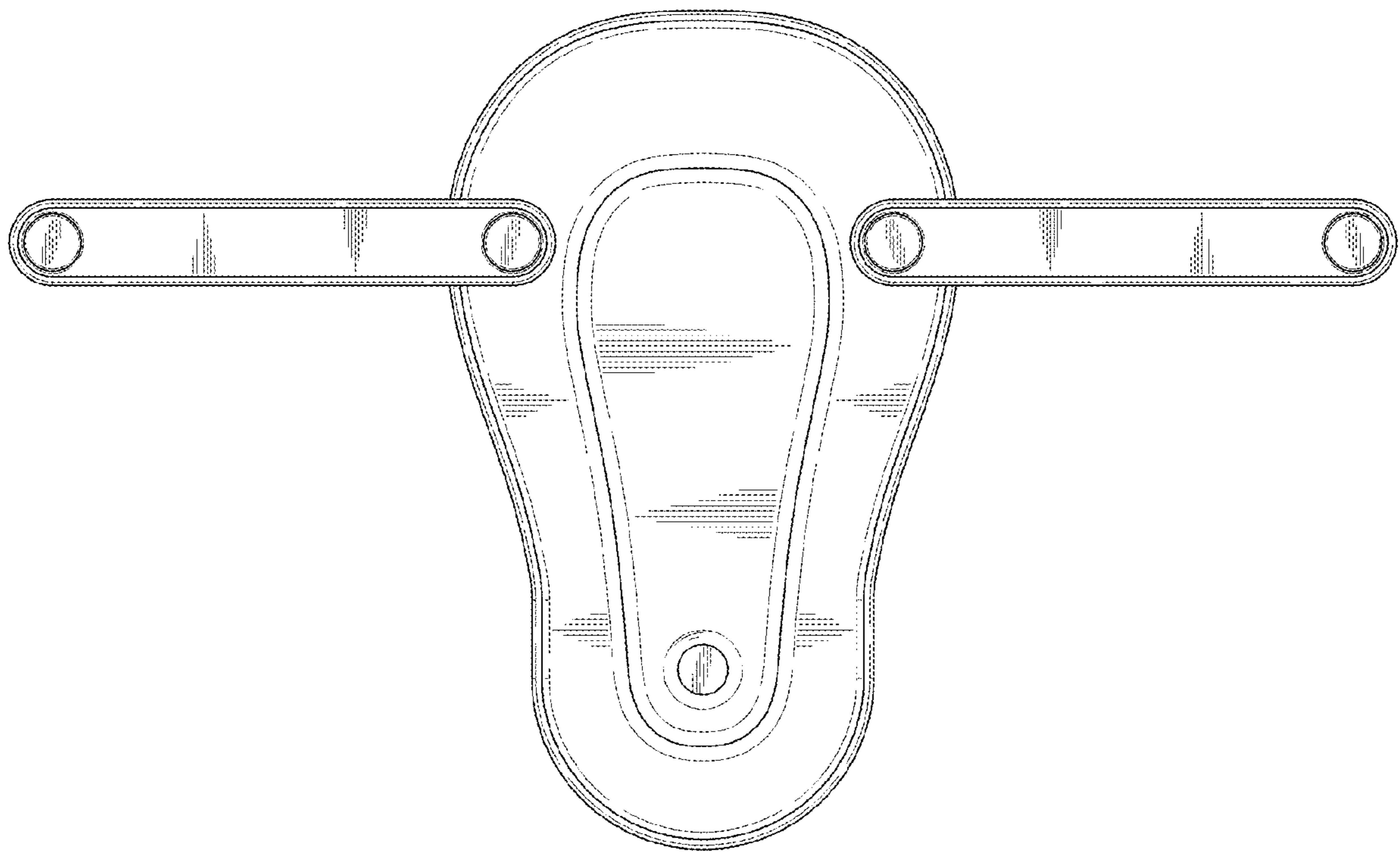


FIG. 11