



US00D970921S

(12) **United States Design Patent** (10) **Patent No.:** **US D970,921 S**
Oppenheim (45) **Date of Patent:** **** Nov. 29, 2022**

(54) **MEDICINE CABINET**
(71) Applicant: **RFX + Care International A/S,**
Humlebæk (DK)
(72) Inventor: **Ulrich Oppenheim,** Gentofte (DK)
(**) Term: **15 Years**
(21) Appl. No.: **35/509,792**
(22) Filed: **Jan. 8, 2020**
(80) **Hague Agreement Data**
Int. Filing Date: **Jan. 8, 2020**
Int. Reg. No.: **DM/205744**
Int. Reg. Date: **Jan. 8, 2020**
Int. Reg. Pub. Date: **Jul. 10, 2020**

(51) **LOC (13) Cl.** **06-04**
(52) **U.S. Cl.**
USPC **D6/559**
(58) **Field of Classification Search**
USPC D6/553, 559, 560, 561
CPC A47B 67/00; A47B 67/005; A47B 67/02;
A47B 67/04; A47B 2067/025
See application file for complete search history.

(56) **References Cited**
U.S. PATENT DOCUMENTS
2,450,337 A * 9/1948 Hearst A47B 67/02
312/323
3,521,936 A * 7/1970 Coker, Jr. A47B 67/02
312/209
5,163,745 A * 11/1992 Zagata A47B 96/00
312/223.5
5,484,196 A * 1/1996 Kim A47B 57/06
211/90.01
D366,796 S * 2/1996 Crowley D6/512
D367,196 S * 2/1996 Mashal D6/559
5,524,980 A * 6/1996 Carter A47B 67/02
211/88.01

5,647,651 A * 7/1997 Kim A47B 67/00
312/209
D403,907 S * 1/1999 Kato D6/559
D407,254 S * 3/1999 DeBooth D6/553
D416,156 S * 11/1999 Mutti D6/559
D419,353 S * 1/2000 Kato D6/559
D421,863 S * 3/2000 Tetreault D6/515
D426,996 S * 6/2000 Kourembanas D6/559
D439,094 S * 3/2001 Melillo D6/561
D439,457 S * 3/2001 Melillo D6/561
2014/0265759 A1* 9/2014 Cloyd F25D 23/02
312/209
2014/0265768 A1* 9/2014 Diemel, Jr. A47B 67/02
312/224
2016/0047539 A1* 2/2016 Cano F21V 23/02
362/133

(Continued)

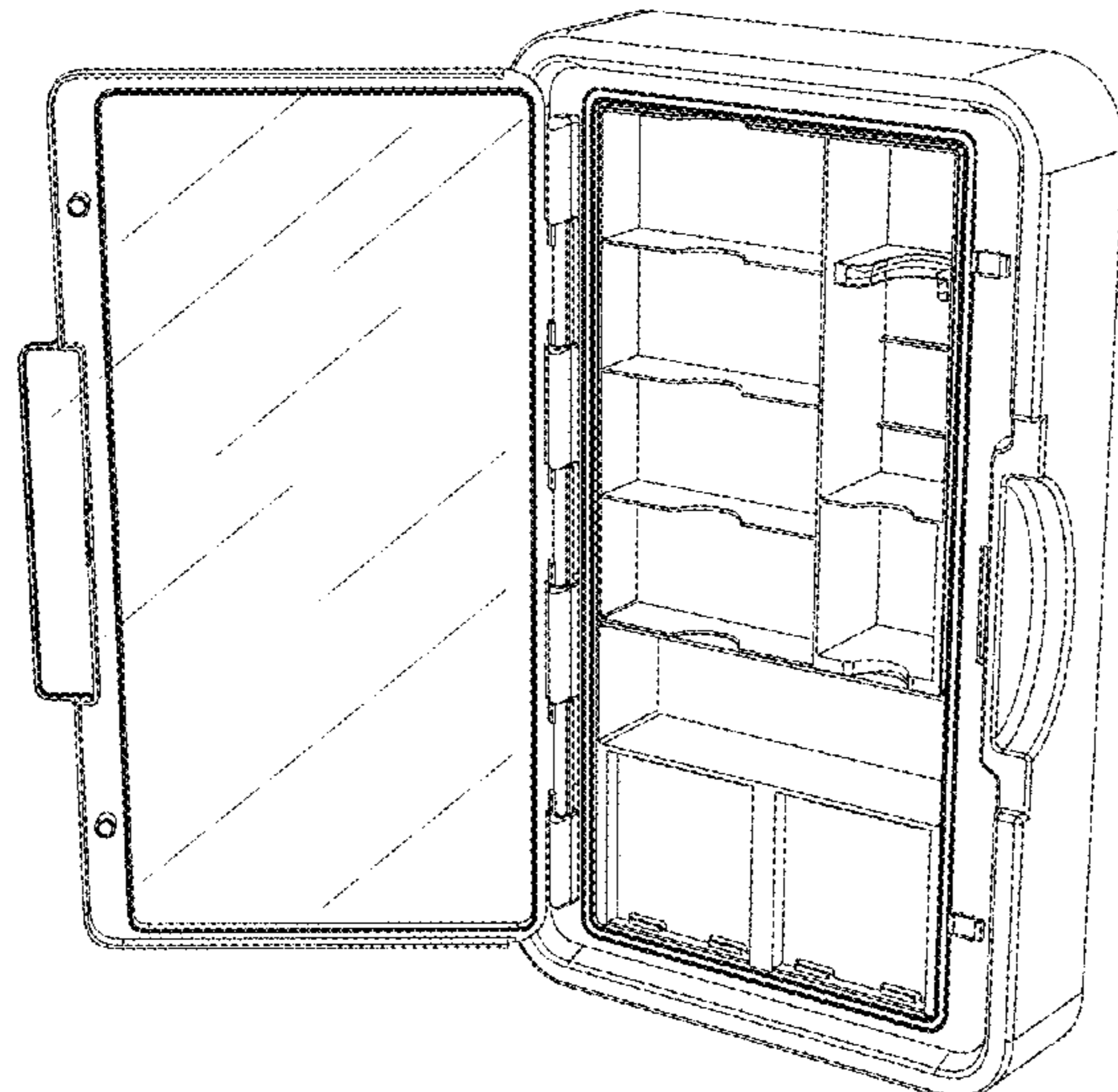
Primary Examiner — Catherine Ho
(74) *Attorney, Agent, or Firm* — Matthew Anderson;
Muncy, Geissler, Olds & Lowe, P.C.

(57) **CLAIM**
The ornamental design for a medicine cabinet, as shown and described.

DESCRIPTION

The patent or application file contains at least one drawing executed in color. Copies of this patent or patent application publication with color drawing(s) will be provided by the Office upon request and payment of the necessary fee.
1. Medicine cabinet
1.1 : Front view in an open position
1.2 : Front view in a closed position
1.3: Back view
1.4: Left view
1.5: Right view
1.6: Top view
1.7: Perspective view in an open position
The features shaded in yellow is included to show environment that form no part of the claimed design.

1 Claim, 7 Drawing Sheets
(3 of 7 Drawing Sheet(s) Filed in Color)



(56)

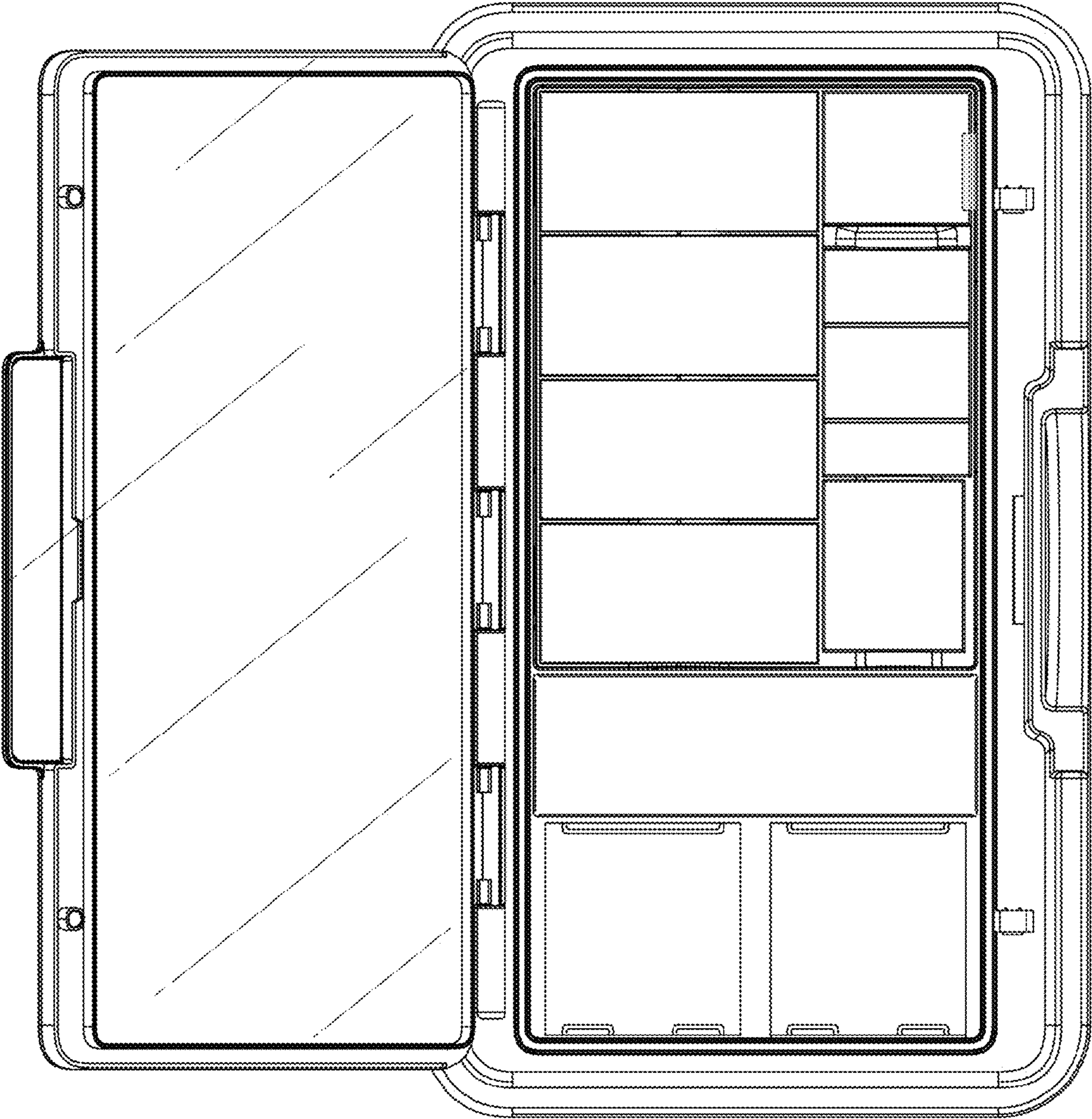
References Cited

U.S. PATENT DOCUMENTS

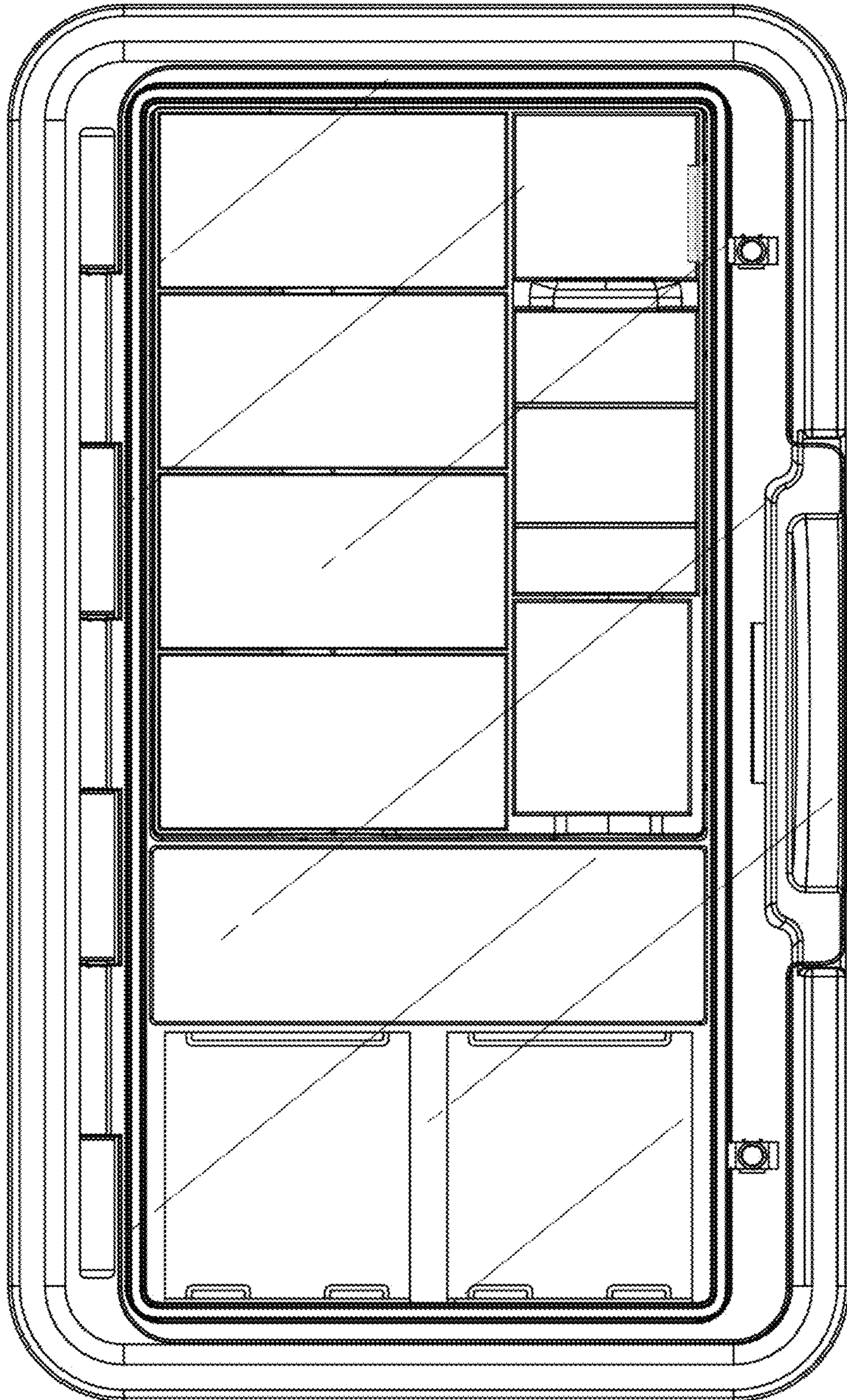
2019/0174917 A1* 6/2019 Diemel A47B 67/005

* cited by examiner

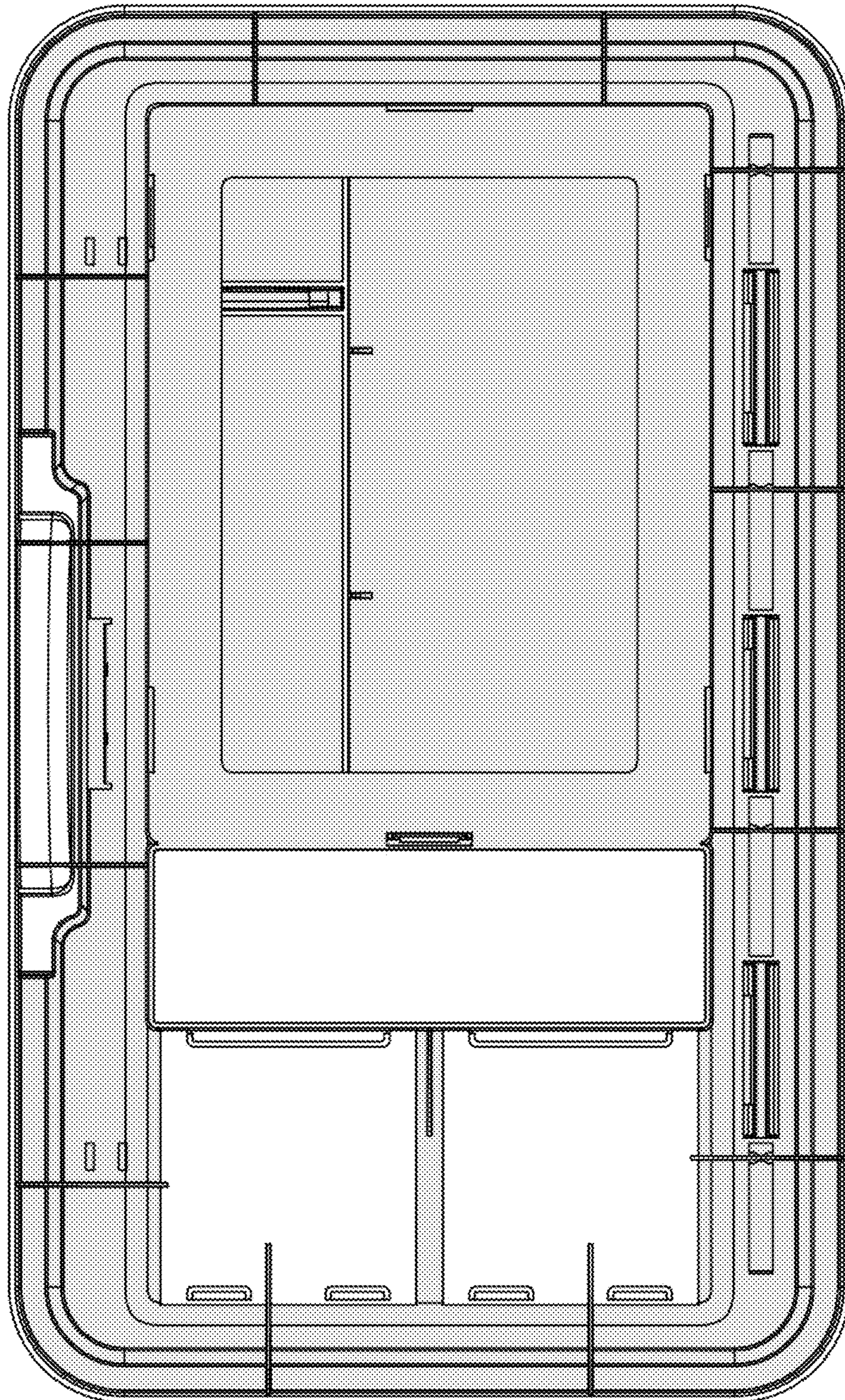
1.1



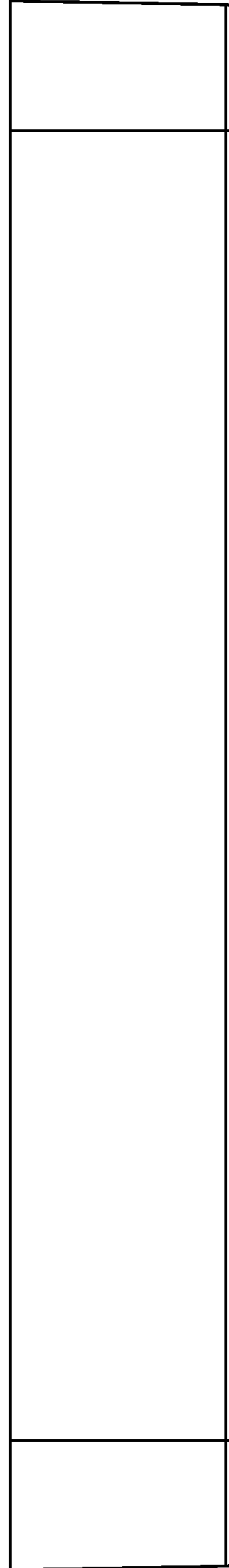
1.2



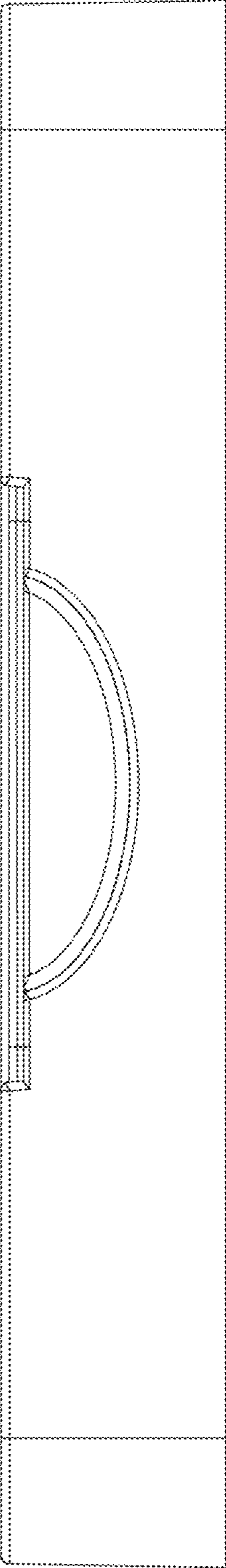
1.3



1.4



1.5



1.6

--	--	--

1.7

