



US00D970920S

(12) **United States Design Patent** (10) **Patent No.:** **US D970,920 S**
Graf et al. (45) **Date of Patent:** **** Nov. 29, 2022**

(54) **SPORTS EQUIPMENT RACK**
(71) Applicants: **Steven T. Graf**, Westport, CT (US);
Zhachary R. Pham, Denver, CO (US)
(72) Inventors: **Steven T. Graf**, Westport, CT (US);
Zhachary R. Pham, Denver, CO (US)
(**) Term: **15 Years**
(21) Appl. No.: **29/773,758**
(22) Filed: **Mar. 11, 2021**
(51) **LOC (13) Cl.** **12-16**
(52) **U.S. Cl.**
USPC **D6/552**; D12/406
(58) **Field of Classification Search**
USPC D21/782, 783, 385; D6/552, 567, 569,
D6/571, 572; 473/1, 42, 43, 44, 46, 50,
473/19, 21, 22; 211/68, 60.1, 63, 70.1,
211/90.1; 206/579, 315.1; D12/406,
D12/400, 412-414
CPC A63D 15/10; A63D 15/16; A63D 15/00;
B60R 7/14; B60R 9/02; A47B 81/005;
A47B 96/02
See application file for complete search history.

D340,608 S * 10/1993 Hubbard D6/567
D340,828 S * 11/1993 Hubbard D6/567
D341,051 S * 11/1993 Hubbard D6/567
D368,648 S * 4/1996 Losier D8/356
D372,827 S * 8/1996 Roche D6/567
D392,142 S * 3/1998 Weisburn D6/567
D457,369 S * 5/2002 Fiscus D6/552
6,481,583 B1 * 11/2002 Black B25H 3/04
211/89.01
D488,054 S * 4/2004 Myers D8/356
D557,541 S * 12/2007 Corbell D6/552
D573,528 S * 7/2008 Roche D12/406
D705,885 S * 5/2014 Peterson D22/108
D725,223 S * 3/2015 Heidkamp D22/109
D737,925 S * 9/2015 Norberg D22/109
D790,127 S * 6/2017 Verleur D6/552
(Continued)

OTHER PUBLICATIONS

Ripstrips website, sunstrip, Jul. 23, 2021, <https://www.rigstrips.com/collections/all/products/sunstrip> (Year: 2021).*
Primary Examiner — Nathan M Johnston

(57) **CLAIM**

The ornamental design for a sports equipment rack, as shown and described.

DESCRIPTION

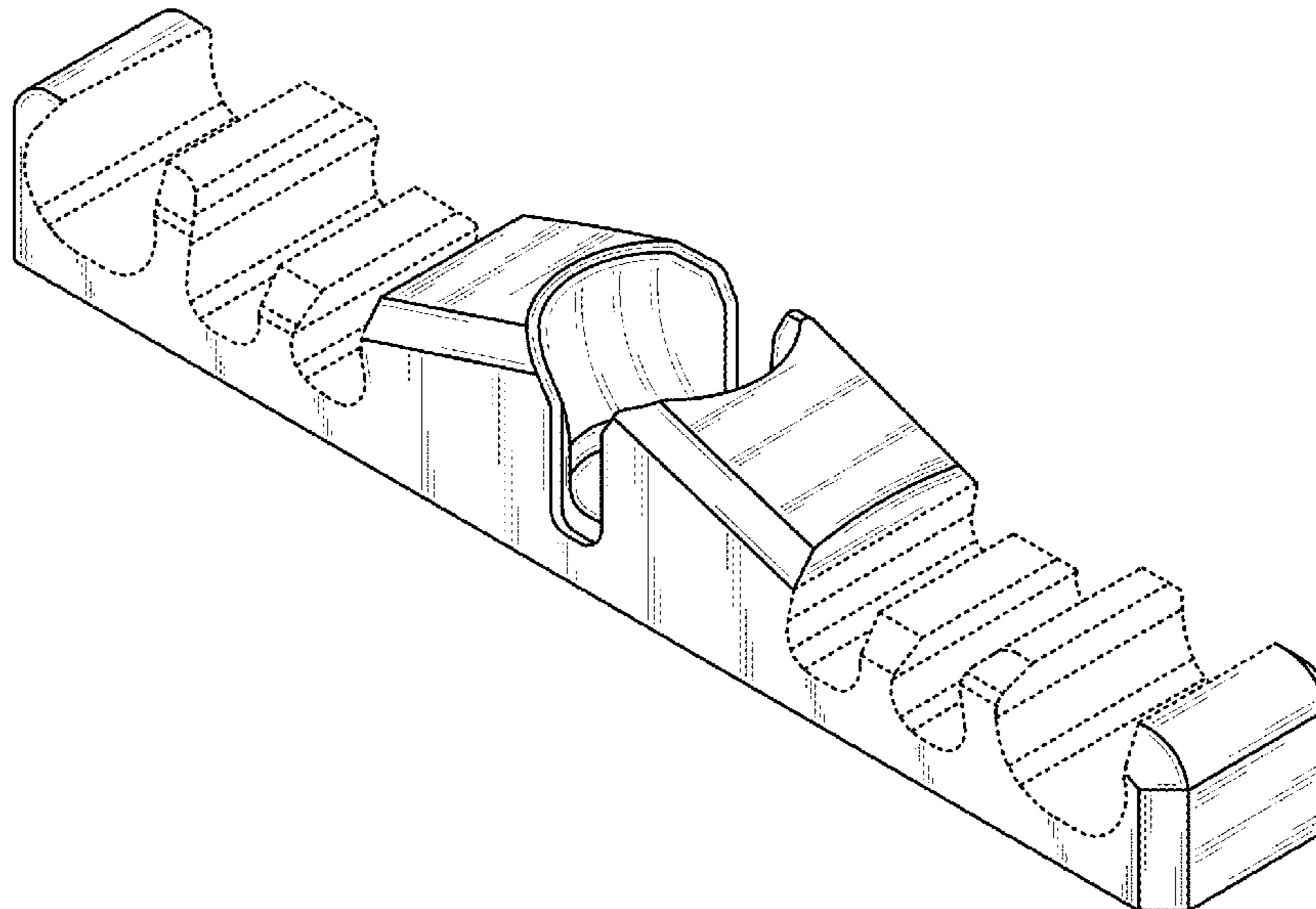
FIG. 1 is a top isometric view of a sports equipment rack showing the design;
FIG. 2 is a bottom isometric view thereof;
FIG. 3 is a front view thereof;
FIG. 4 is a rear view thereof;
FIG. 5 is a left view thereof;
FIG. 6 is a right view thereof;
FIG. 7 is a top view thereof; and,
FIG. 8 is a bottom view thereof.
The broken lines form no part of the claimed design.

1 Claim, 7 Drawing Sheets

(56) **References Cited**

U.S. PATENT DOCUMENTS

2,099,906 A * 11/1937 Reese A47K 1/09
D7/637
3,217,891 A * 11/1965 Weaver B01L 9/54
211/74
4,134,499 A * 1/1979 Joswig B25H 3/04
248/316.3
4,410,095 A * 10/1983 Dembicks A47F 5/08
248/225.11
D303,192 S * 9/1989 Bogar, III D6/552
D321,126 S * 10/1991 Westphal D8/380
D340,606 S * 10/1993 Hubbard D6/567
D340,607 S * 10/1993 Hubbard D6/567



(56)

References Cited

U.S. PATENT DOCUMENTS

2003/0080079 A1* 5/2003 Wu F16B 2/16
211/89.01
2005/0269275 A1* 12/2005 Lin B25H 3/04
211/70.6
2008/0087785 A1* 4/2008 Roche A47B 81/005
248/309.4

* cited by examiner

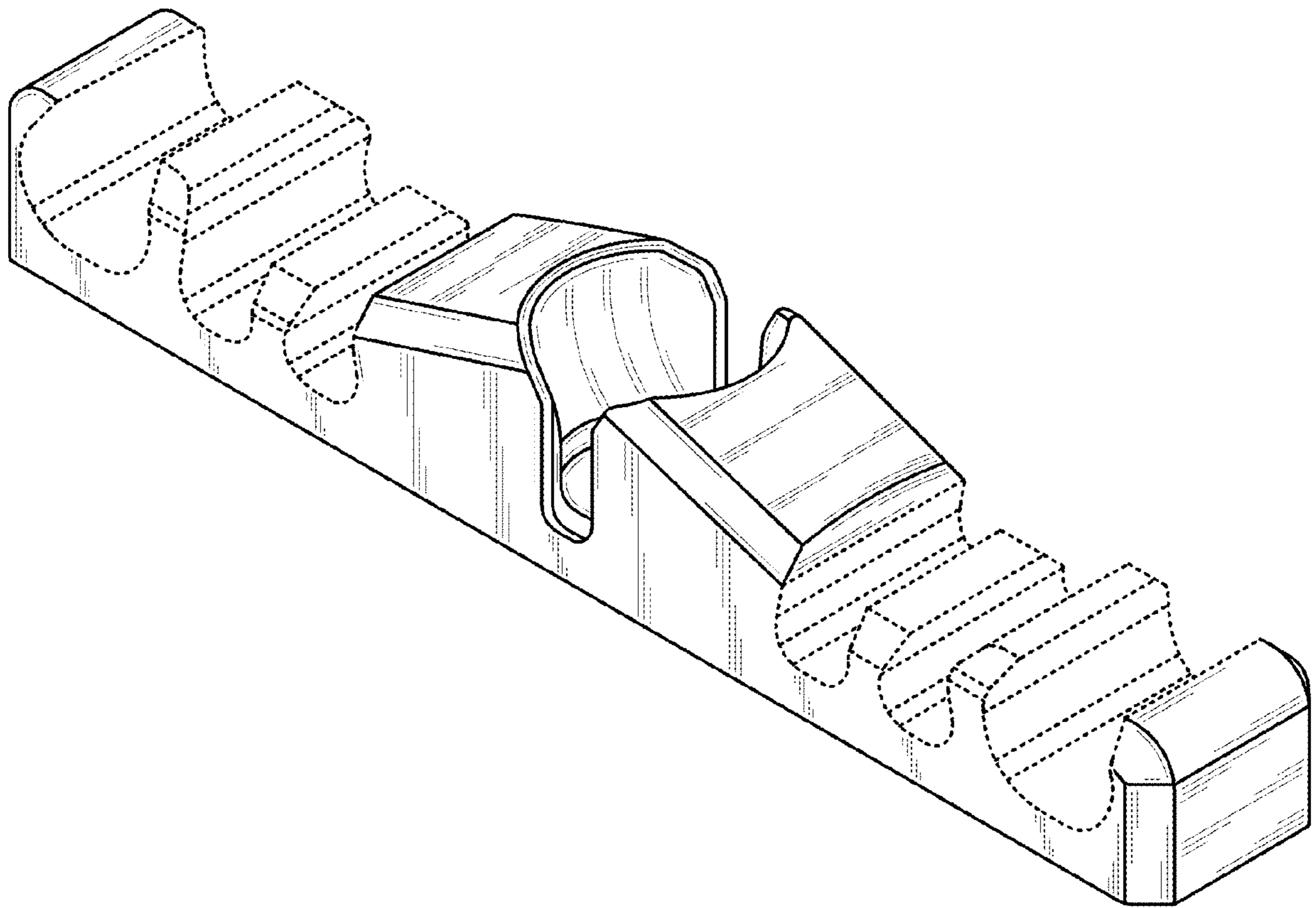


FIG. 1

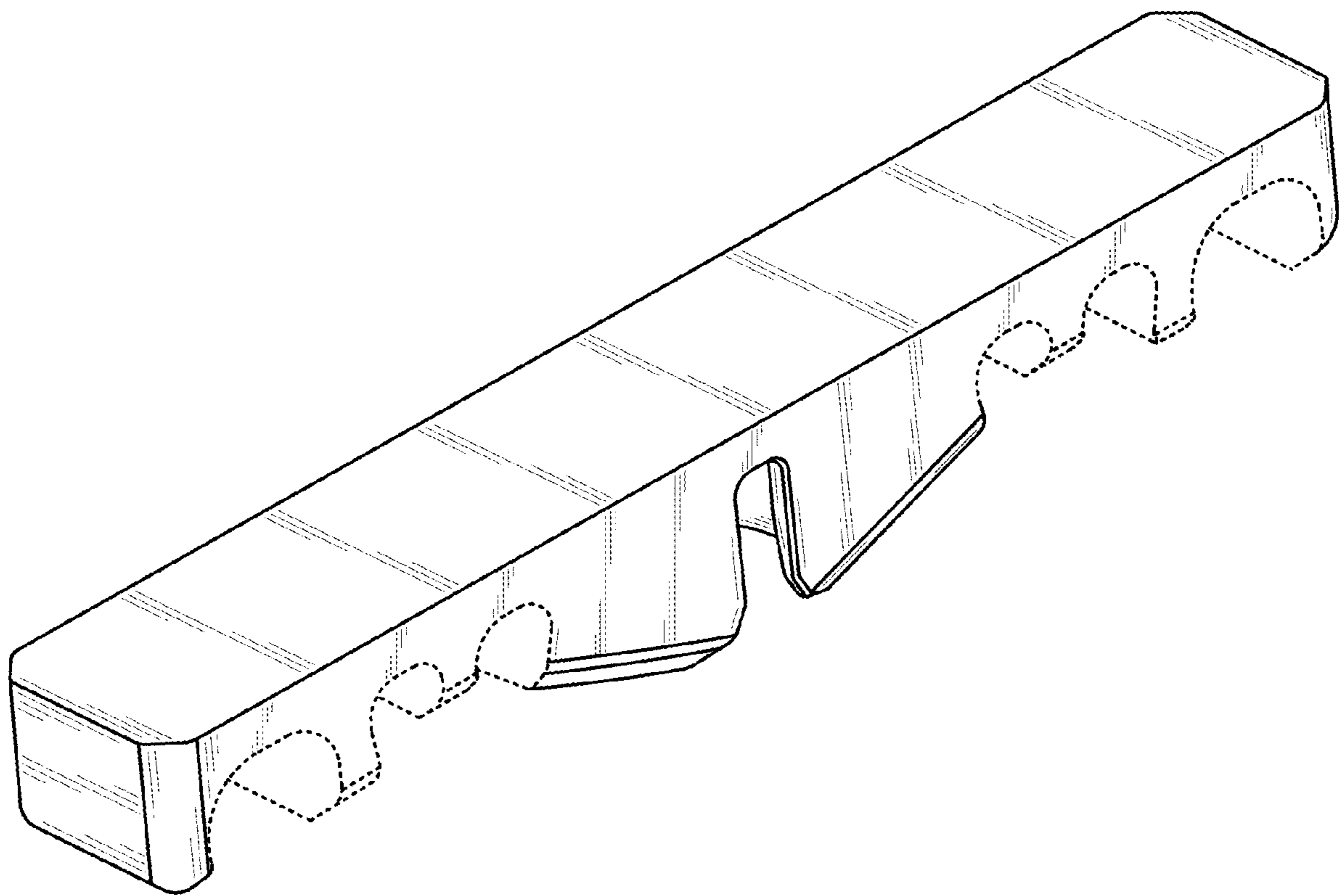


FIG. 2

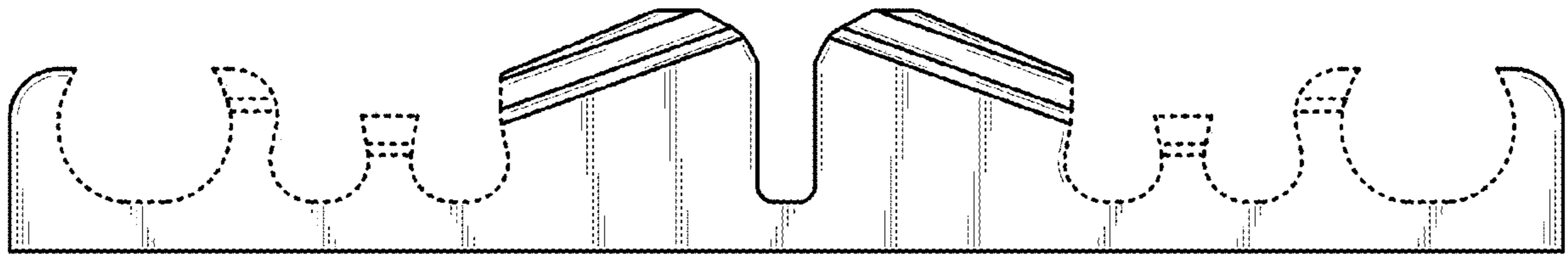


FIG. 3

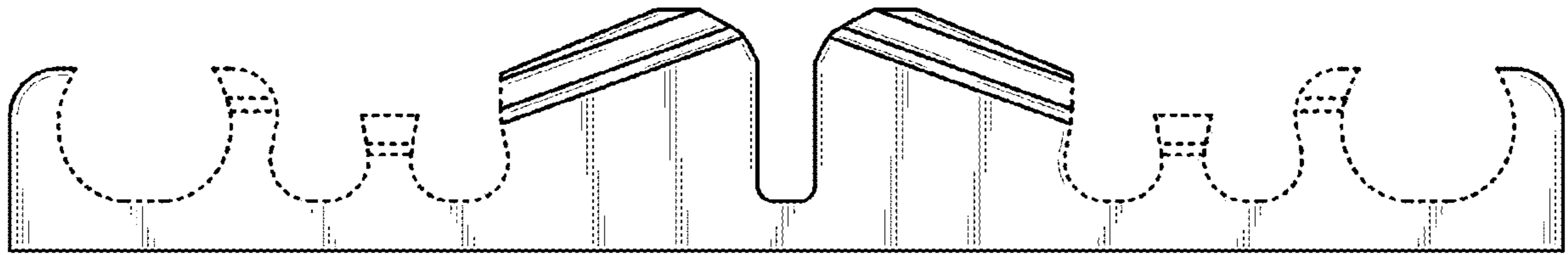


FIG. 4

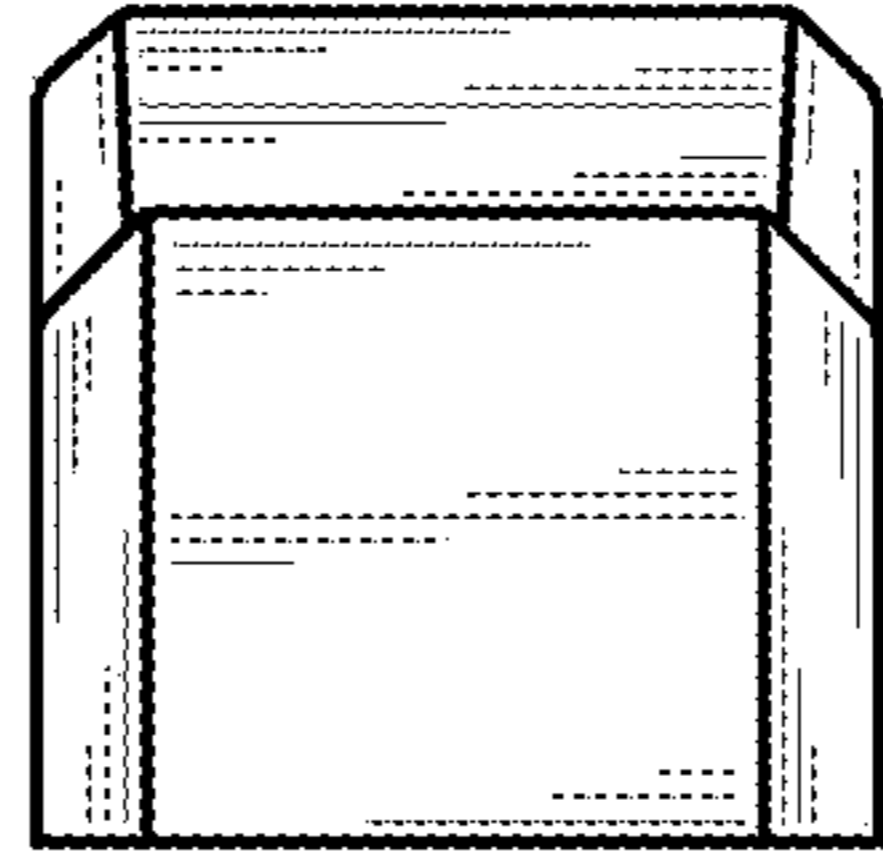


FIG. 5

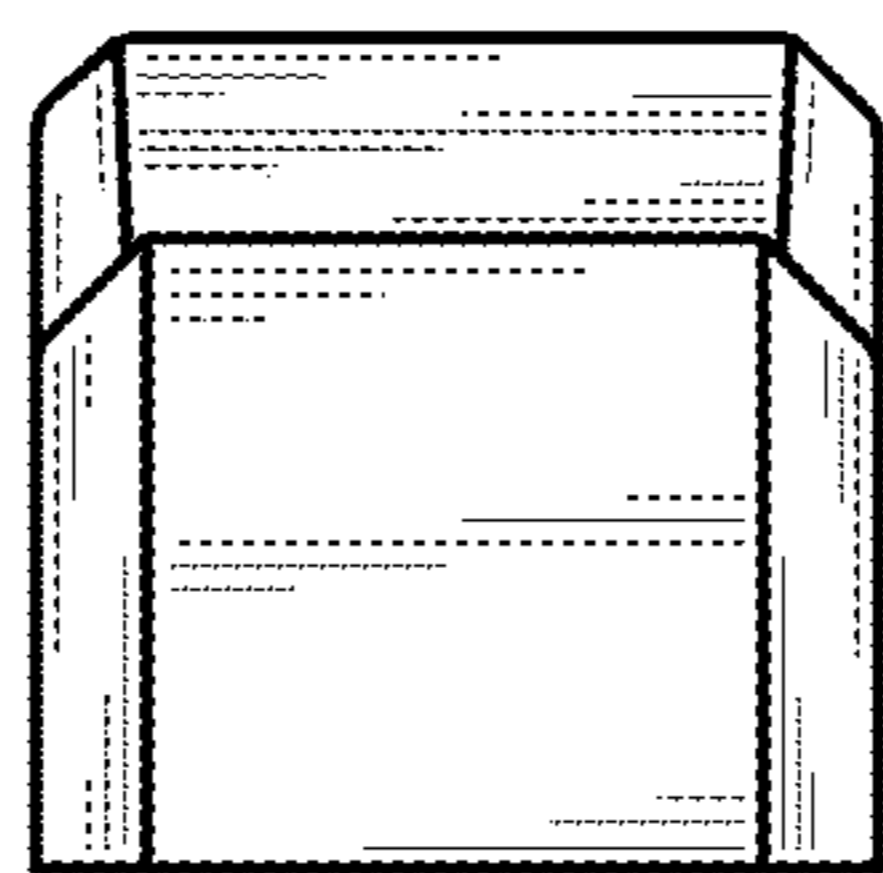


FIG. 6

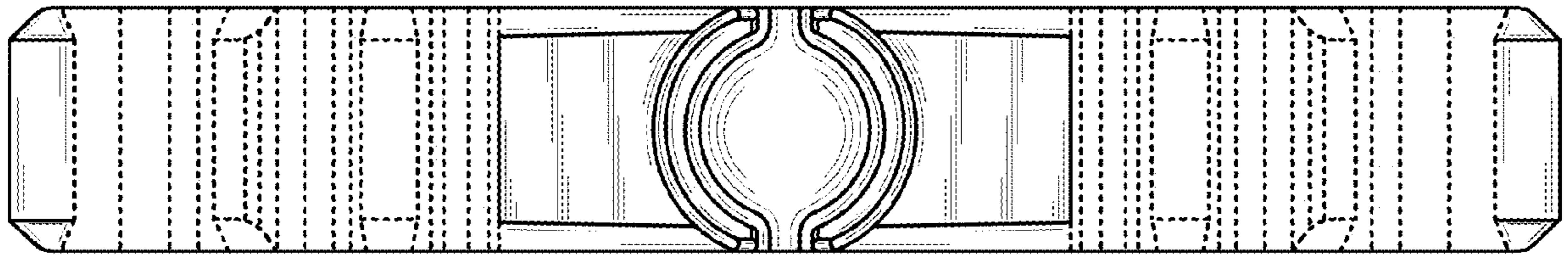


FIG. 7

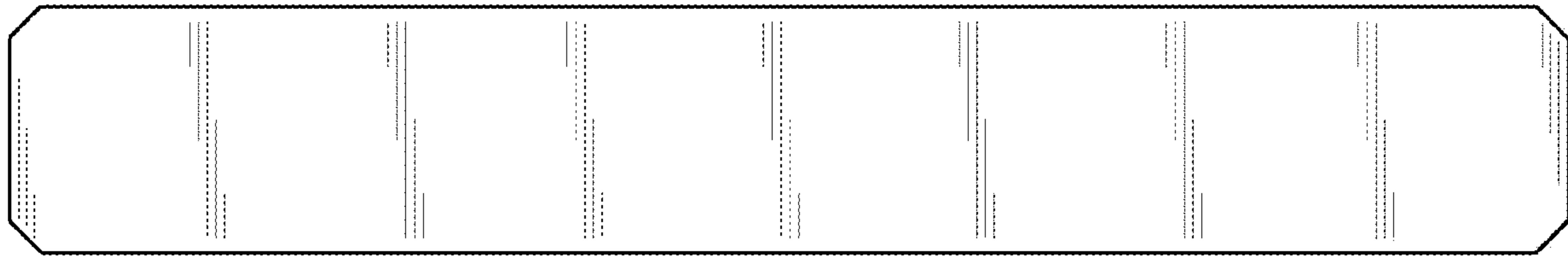


FIG. 8