



US00D970919S

(12) **United States Design Patent** (10) **Patent No.:** **US D970,919 S**
Olsen et al. (45) **Date of Patent:** **** Nov. 29, 2022**

- (54) **DISPENSER**
- (71) Applicant: **Vaask LLC**, Austin, TX (US)
- (72) Inventors: **Jonathan W. W. Olsen**, Austin, TX (US); **Grace V. Tesmer**, Dublin, OH (US); **Joseph Pisauro**, Columbus, OH (US); **Shawn M. Whetstone**, New Albany, OH (US)
- (73) Assignee: **Vaask LLC**, Austin, TX (US)
- (**) Term: **15 Years**
- (21) Appl. No.: **29/808,191**
- (22) Filed: **Sep. 17, 2021**
- (51) **LOC (13) Cl.** **23-02**
- (52) **U.S. Cl.**
USPC **D6/545**
- (58) **Field of Classification Search**
USPC D6/515, 522, 542, 512, 518, 520, 524, D6/543, 544, 545; 206/233, 389, 401, 206/77.1, 581, 225, 229; 211/45, 48, 211/88.04, 119.009, 85.12; 221/26, 208, 221/282, 283
CPC A61L 2/16; A61L 2202/14; A61L 2202/15
See application file for complete search history.

D805,608 S *	12/2017	Streng	D23/240
D820,404 S *	6/2018	Wieser	D23/239
D820,406 S *	6/2018	Wieser	D23/239
D847,305 S *	4/2019	Wieser	D28/54.1
D847,952 S *	5/2019	Wieser	D28/54.1
D857,845 S *	8/2019	Wieser	D28/54.1
D865,911 S *	11/2019	Wieser	D23/239
D865,912 S *	11/2019	Wieser	D23/239
10,736,824 B2	8/2020	Matthews et al.		
2005/0139612 A1	6/2005	Matthews et al.		

(Continued)

OTHER PUBLICATIONS

Vaask website, Oct. 26, 2021, <https://www.vaask.com/> (Year: 2021).*
(Continued)

Primary Examiner — Nathan M Johnston
(74) *Attorney, Agent, or Firm* — Frost Brown Todd LLC

(57) **CLAIM**

The ornamental design for a dispenser, as shown and described.

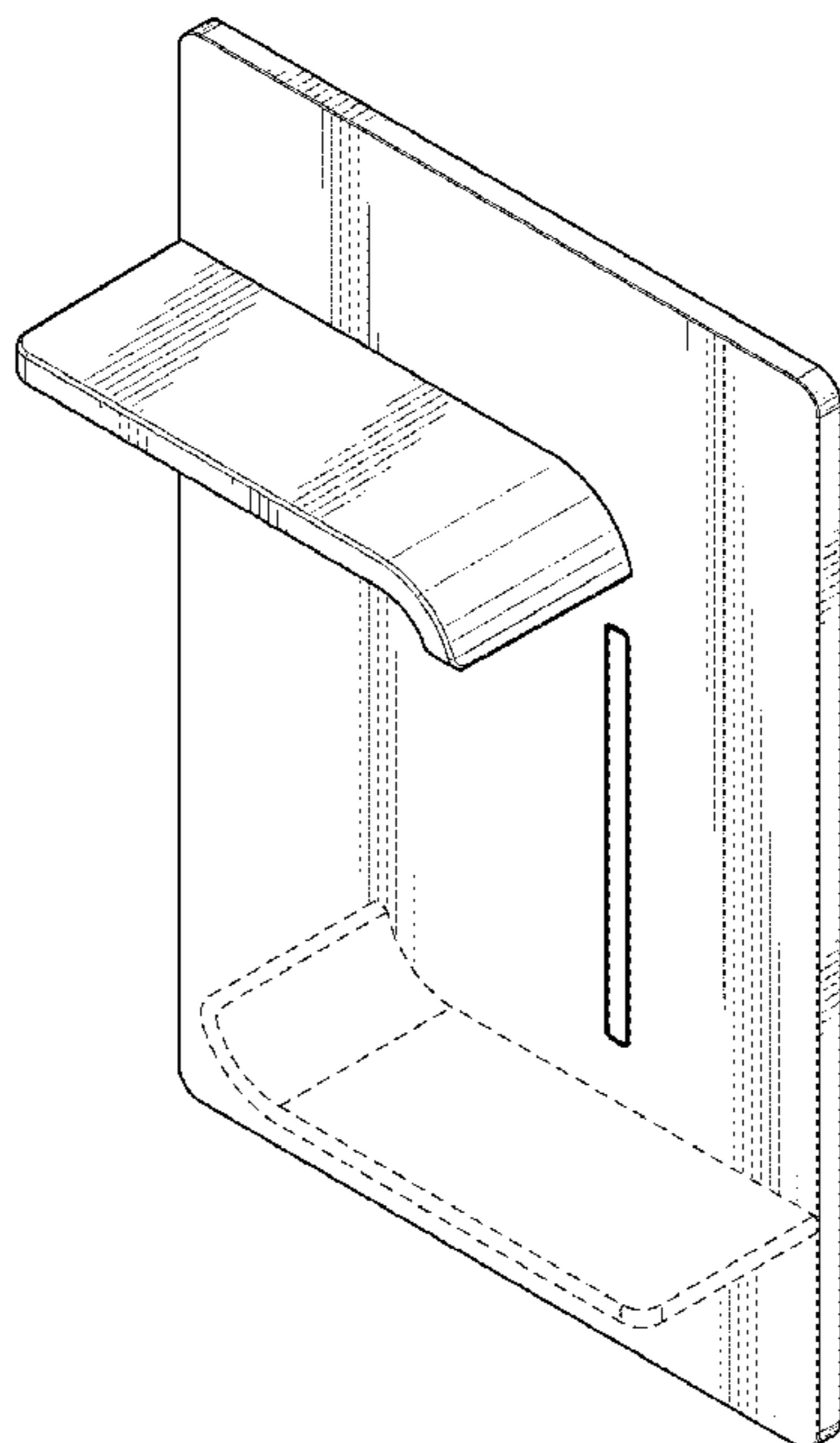
DESCRIPTION

FIG. 1 is a front right perspective view of a dispenser, showing our new design;
FIG. 2 is a front left perspective view of the dispenser of FIG. 1;
FIG. 3 is a front elevational view of the dispenser of FIG. 1;
FIG. 4 is a rear elevational view of the dispenser of FIG. 1;
FIG. 5 is a right elevational view of the dispenser of FIG. 1;
FIG. 6 is a left elevational view of the dispenser of FIG. 1;
FIG. 7 is a top plan view of the dispenser of FIG. 1; and,
FIG. 8 is a bottom plan view of the dispenser of FIG. 1.
The broken lines shown in the drawings represent features of the dispenser that form no part of the claimed design.

1 Claim, 6 Drawing Sheets

(56) **References Cited**
U.S. PATENT DOCUMENTS

271,177 A *	1/1883	White	B65D 33/001
				312/50
D298,396 S *	11/1988	Gallego	D6/513
D336,609 S *	6/1993	Baier	D20/1
5,906,299 A	5/1999	Hagleitner		
8,087,543 B2	1/2012	Yang et al.		
8,292,128 B2	10/2012	Hagleitner		
9,532,683 B2	1/2017	Hagleitner		



(56)

References Cited

U.S. PATENT DOCUMENTS

2015/0231293 A1* 8/2015 Zaghi F04C 14/06
422/28

OTHER PUBLICATIONS

Design U.S. Appl. No. 29/813,513, entitled "Dispenser," filed Oct.
29, 2021.

* cited by examiner

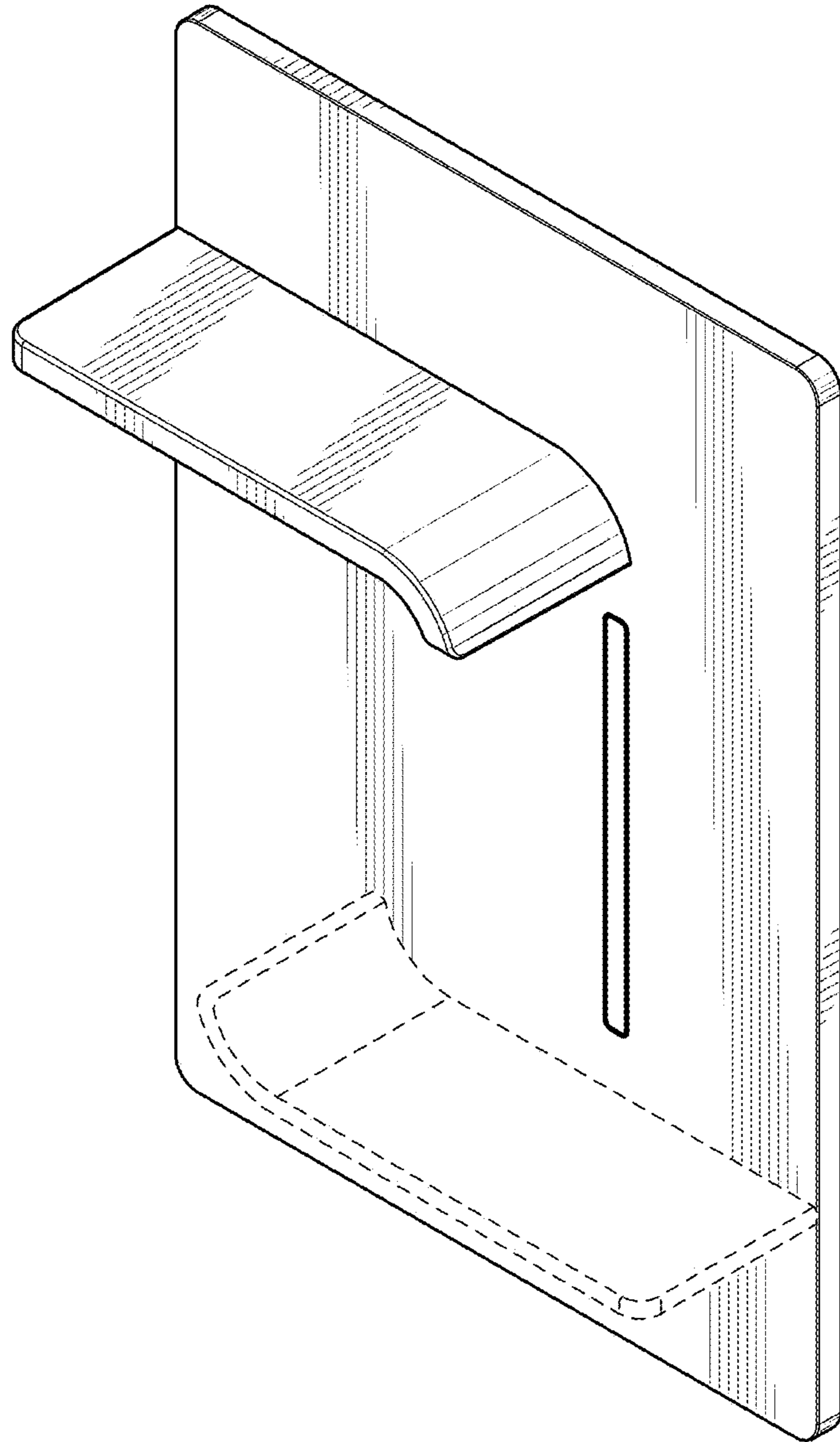


FIG. 1

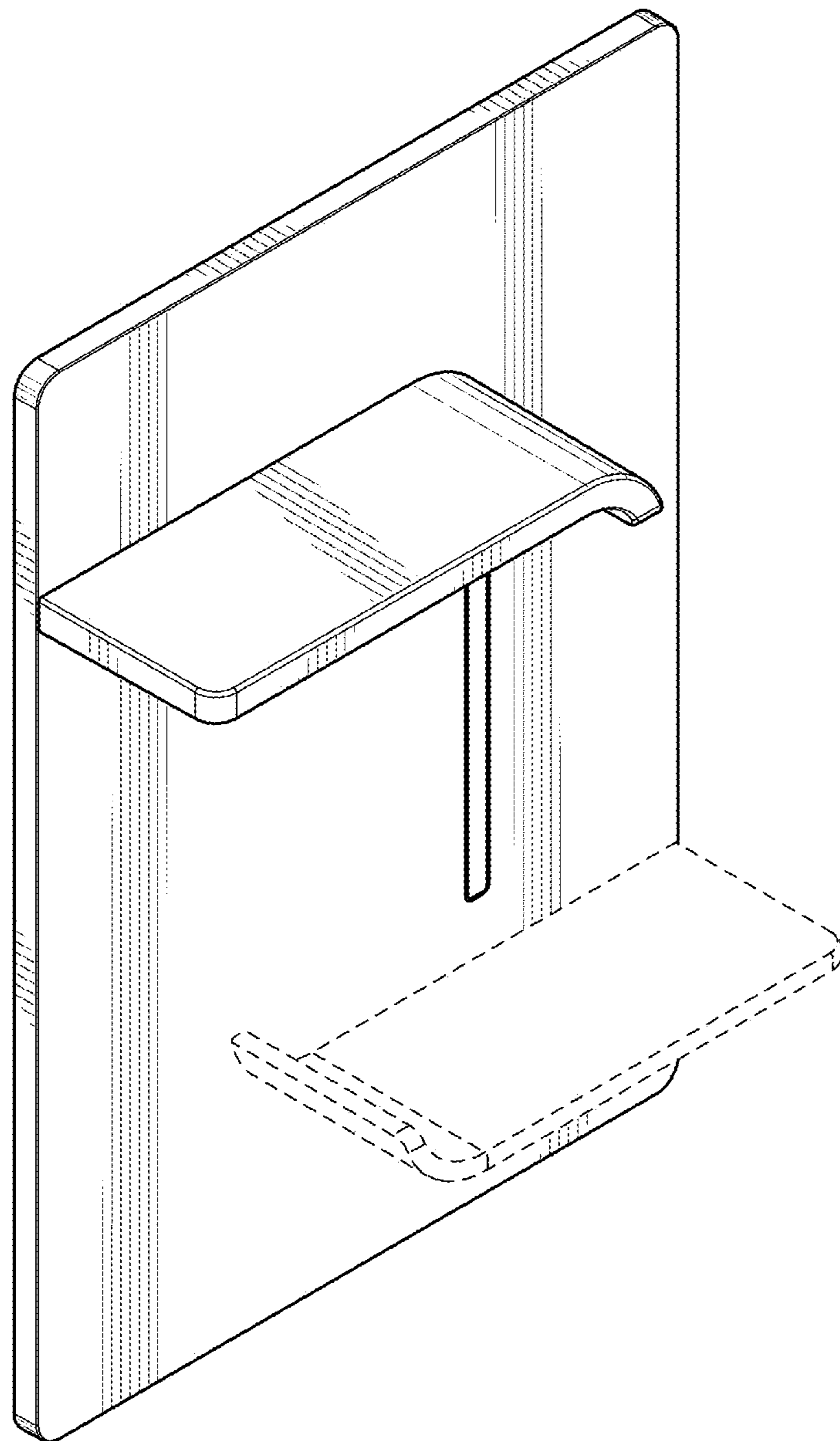


FIG. 2

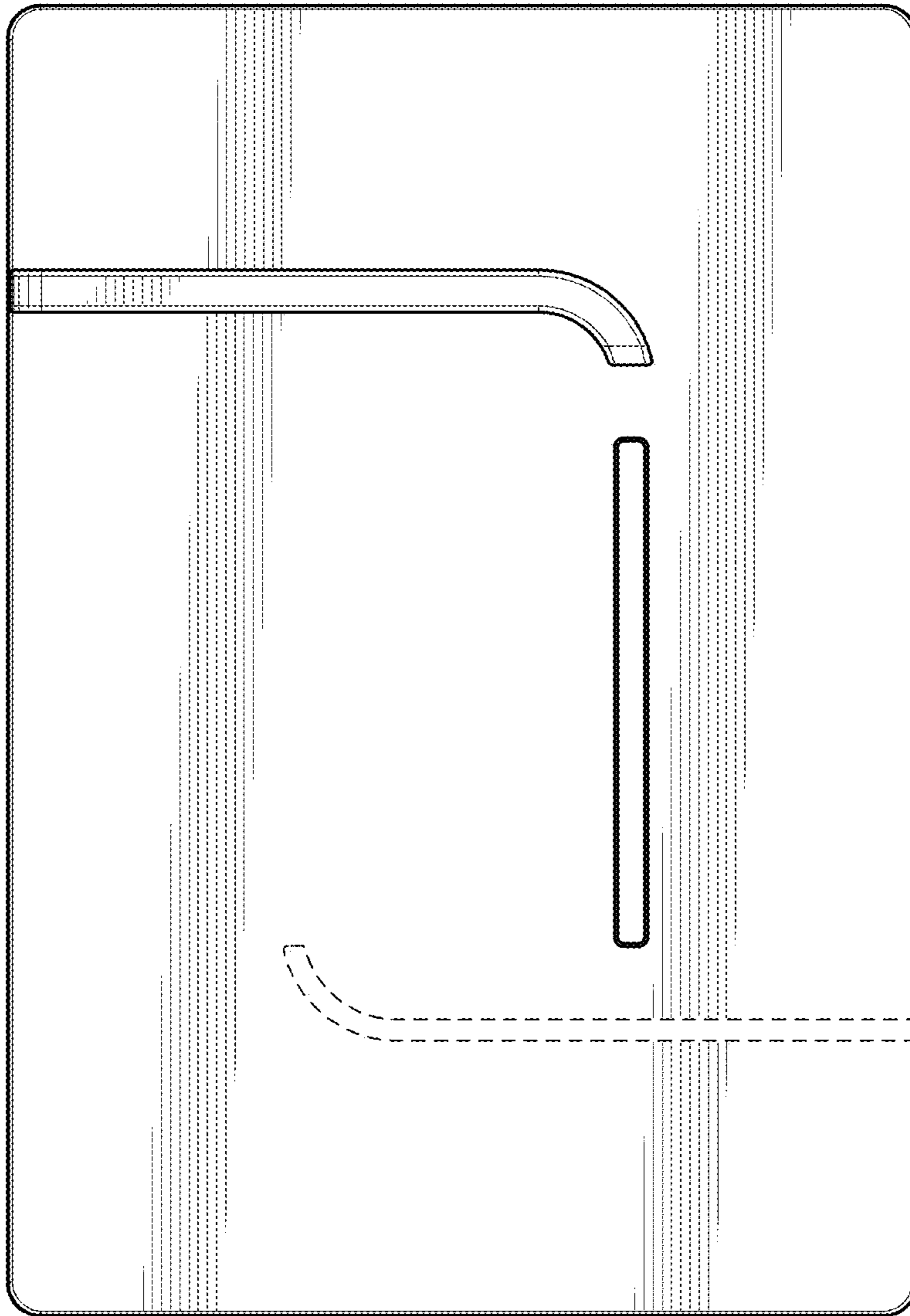


FIG. 3

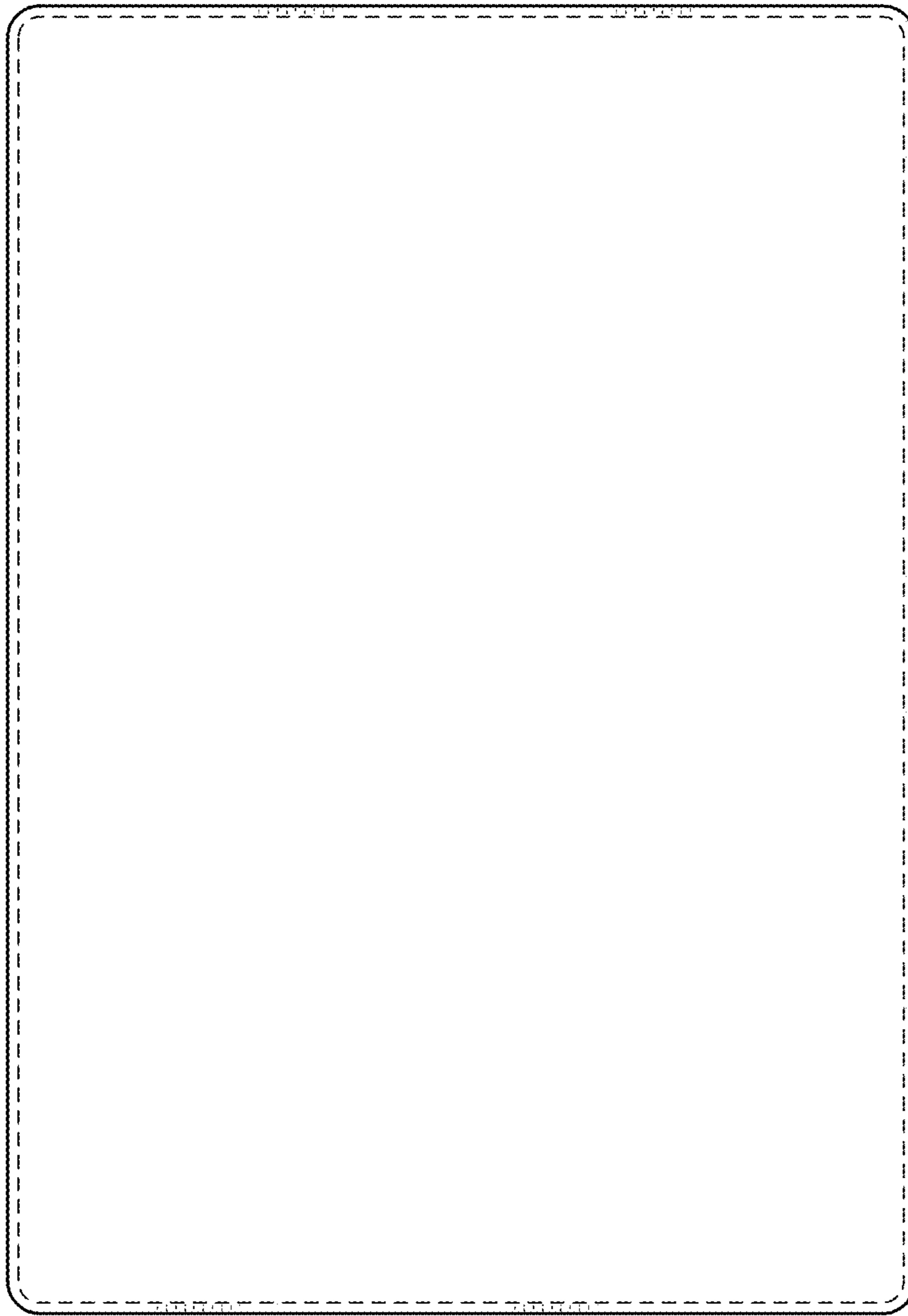


FIG. 4

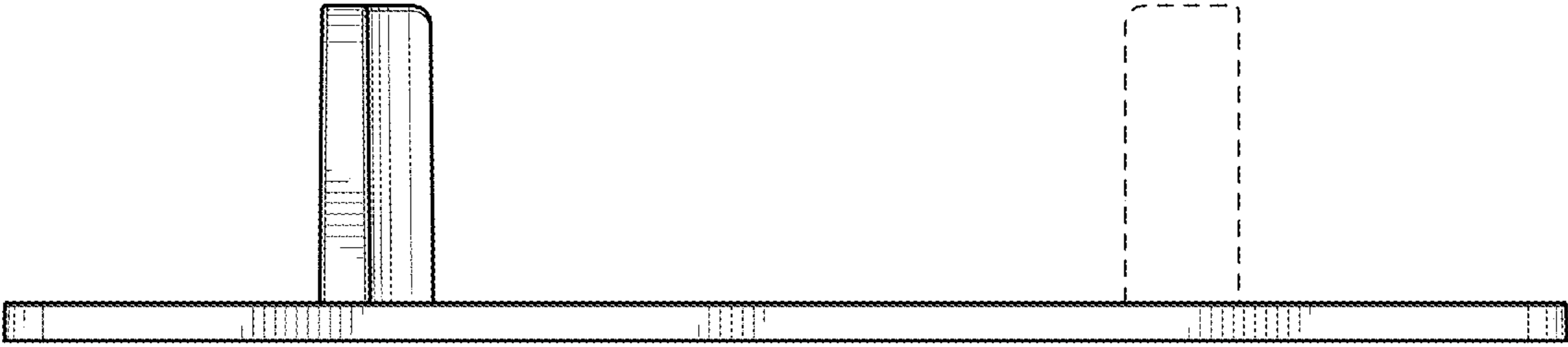


FIG. 6

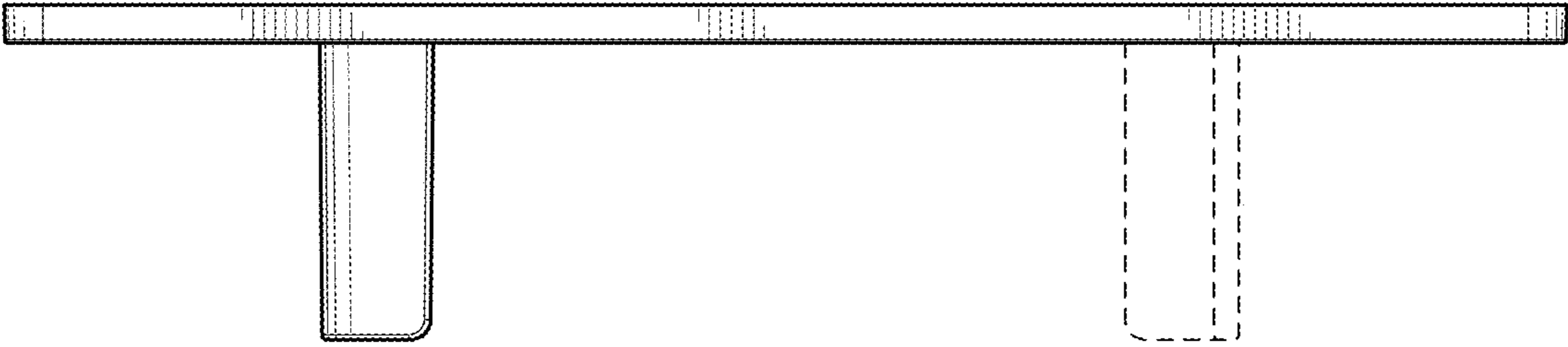


FIG. 5

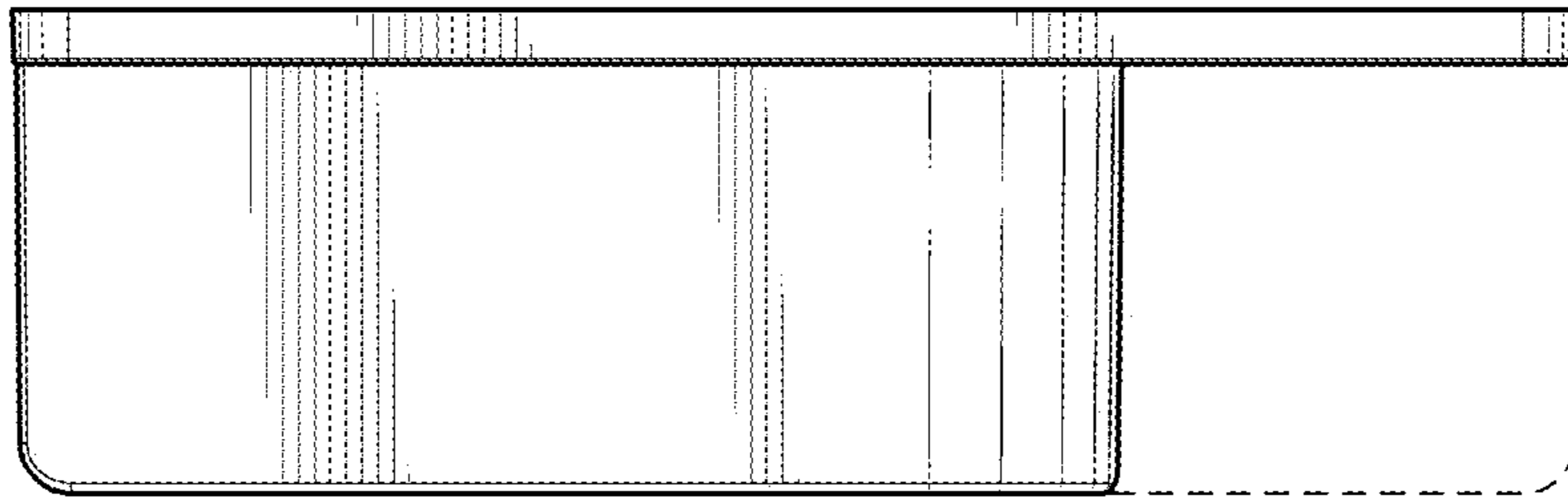


FIG. 7

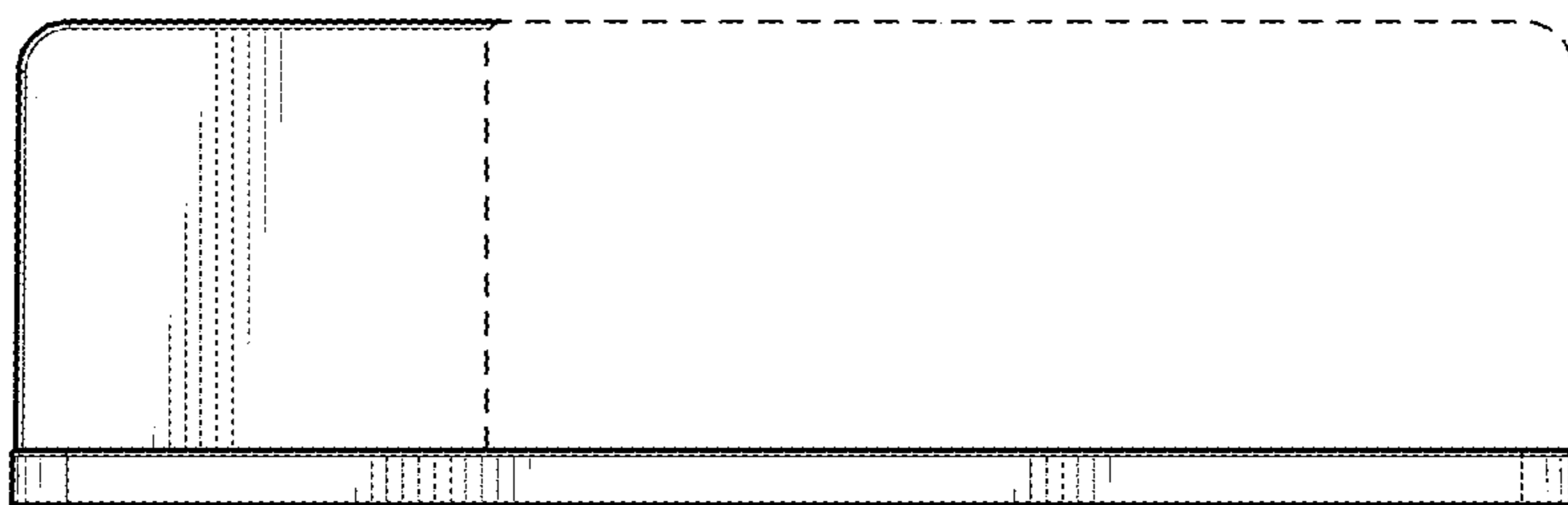


FIG. 8