



US00D970916S

(12) **United States Design Patent**
Dong

(10) **Patent No.:** **US D970,916 S**

(45) **Date of Patent:** **** Nov. 29, 2022**

(54) **TOILET PAPER HOLDER CABINET**

(71) Applicant: **Longyan Dubaite Qipei Co., Ltd.**,
Fujian (CN)

(72) Inventor: **Yunhui Dong**, Jiangxi (CN)

(**) Term: **15 Years**

(21) Appl. No.: **29/843,186**

(22) Filed: **Jun. 18, 2022**

(51) **LOC (13) Cl.** **06-06**

(52) **U.S. Cl.**

USPC **D6/520**; D6/523

(58) **Field of Classification Search**

USPC D6/515–523, 527, 549

CPC A47K 10/025; A47K 10/16; A47K 10/18;

A47K 10/22; A47K 10/24; A47K 10/38;

A47K 10/42; A47K 10/3836; A47K

2010/3206; A47K 2010/324; A47K

2010/326; A47K 2010/3266

See application file for complete search history.

(56) **References Cited**

U.S. PATENT DOCUMENTS

D257,082 S * 9/1980 Williams D6/519
6,161,794 A * 12/2000 Cravatt A47K 10/38
242/561

D511,429 S 11/2005 Lor

D545,099 S * 6/2007 Fernandez, Jr. D6/555

D547,983 S * 8/2007 Jackson, III D6/520

D551,000 S 9/2007 Romano

9,161,621 B1 * 10/2015 Huffin A47K 10/18

D935,800 S * 11/2021 Chen D6/523

2002/0027402 A1 * 3/2002 Hanser A47K 17/00

312/206

2007/0181738 A1 * 8/2007 Demers A47K 10/38

242/597.8

OTHER PUBLICATIONS

AOJEZOR Toilet Paper Holder, available in Amazon.com, oldest review of Apr. 21, 2021, site visited on Aug. 31, 2022, URL:https://www.amazon.com/Toilet-Bathroom-Storage-Cabinet-AOJEZOR/dp/B09VLD3F3P?th=1 (Year: 2021).*

* cited by examiner

Primary Examiner — Joseph Kukella

Assistant Examiner — Mark David Wolfley

(74) *Attorney, Agent, or Firm* — Che-Yang Chen; Law Office of Michael Chen

(57) **CLAIM**

The ornamental design for a toilet paper holder cabinet, as shown and described.

DESCRIPTION

FIG. 1 is a front perspective view of the toilet paper holder cabinet showing my new design;

FIG. 2 is a rear perspective view thereof;

FIG. 3 is a front elevational view thereof;

FIG. 4 is a rear elevational view thereof;

FIG. 5 is a left side elevational view thereof;

FIG. 6 is a right side elevational view thereof;

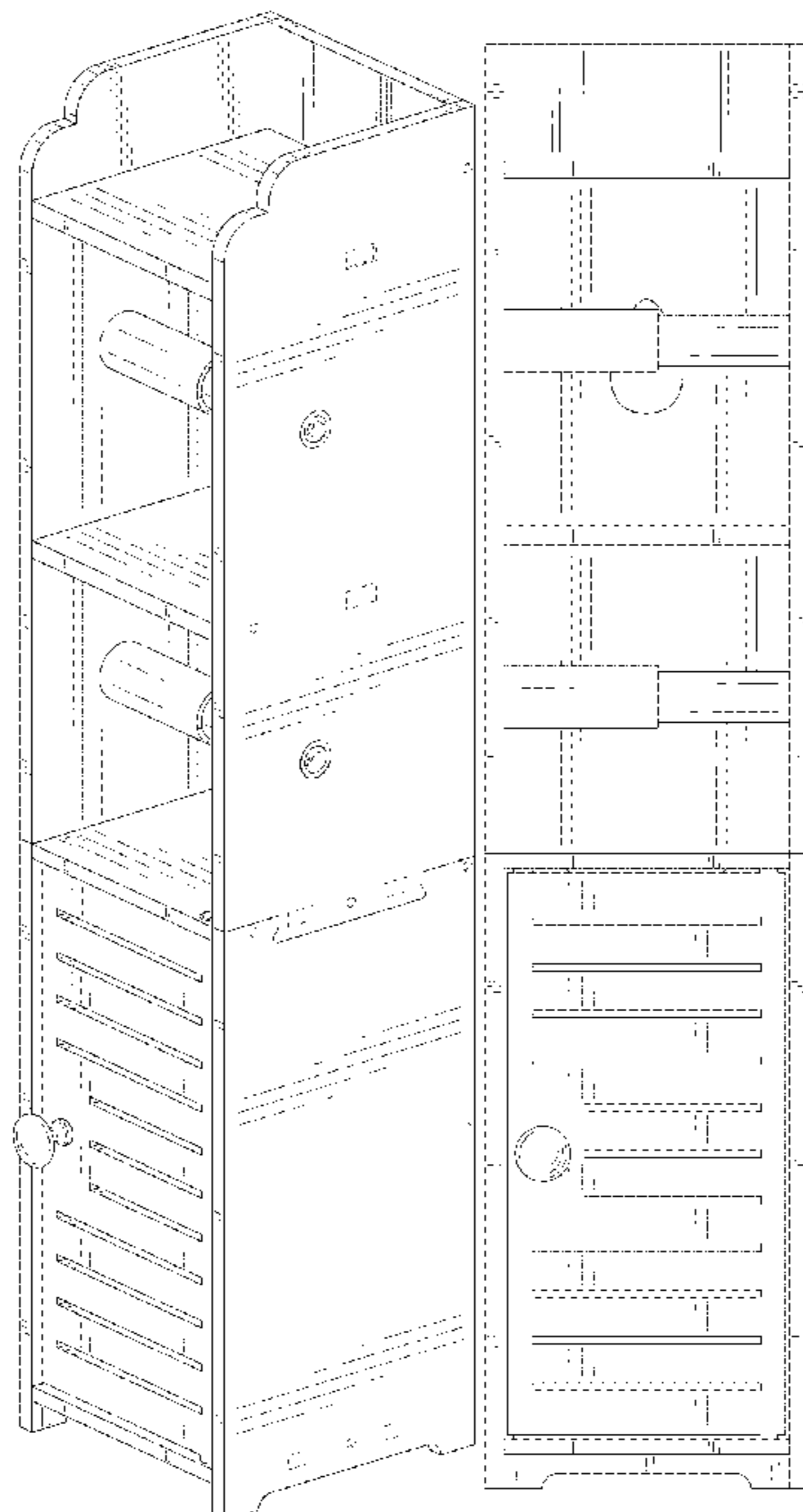
FIG. 7 is a top plan view thereof;

FIG. 8 is a bottom plan view thereof; and,

FIG. 9 is a second front perspective view thereof, shown in an alternative position of use.

The broken lines shown in the drawings represent portions of the toilet paper holder cabinet that form no part of the claimed design.

1 Claim, 9 Drawing Sheets



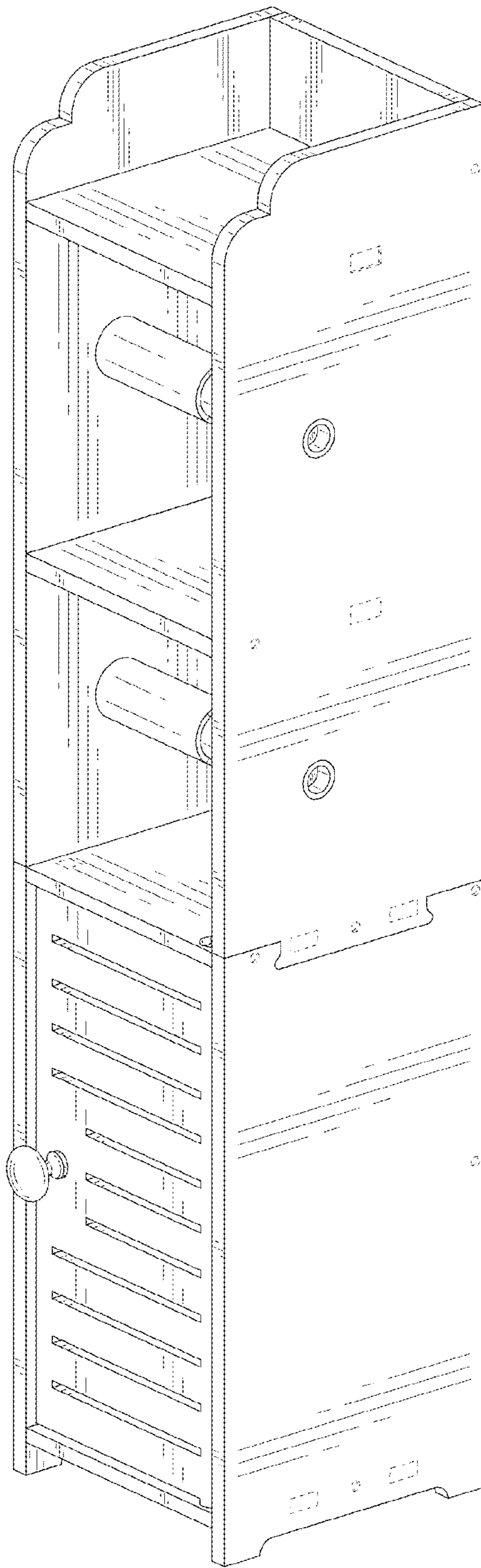


FIG. 1

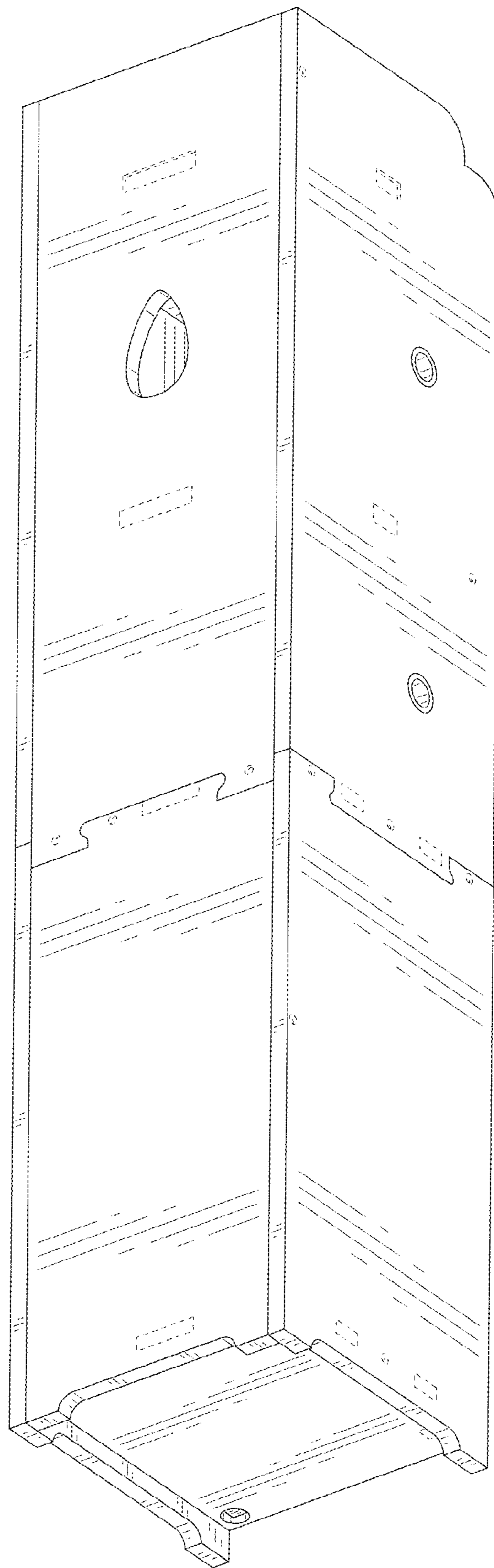


FIG. 2

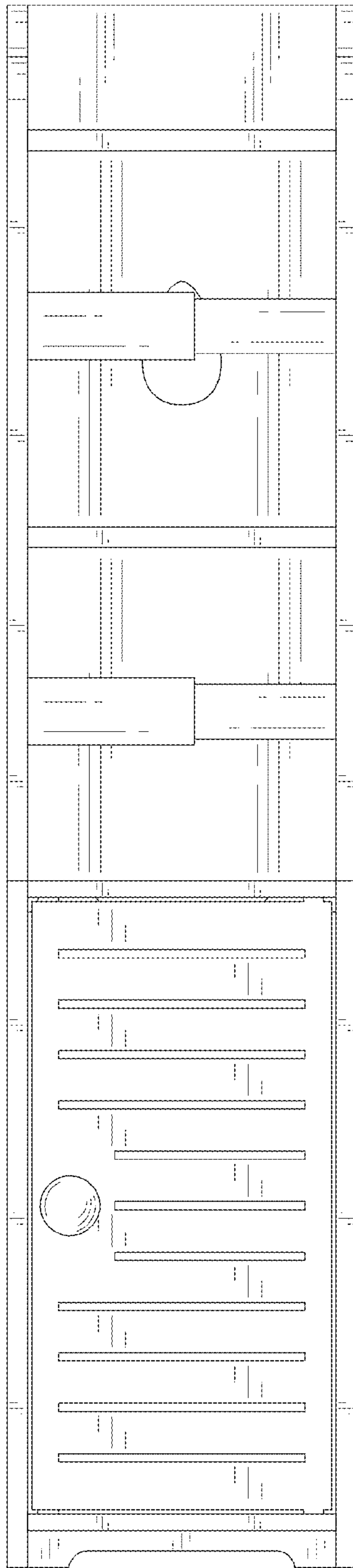


FIG. 3

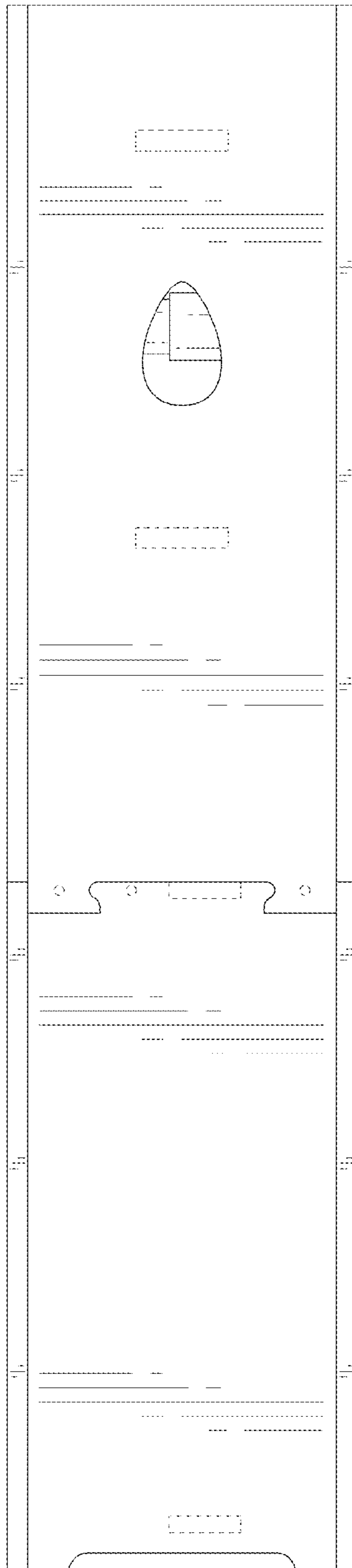


FIG. 4

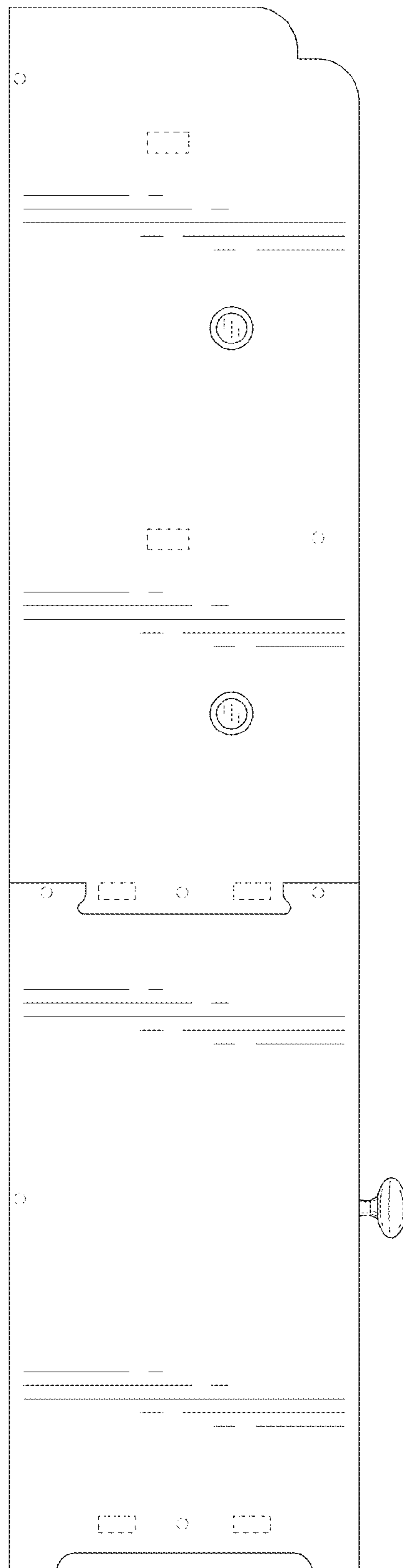


FIG. 5

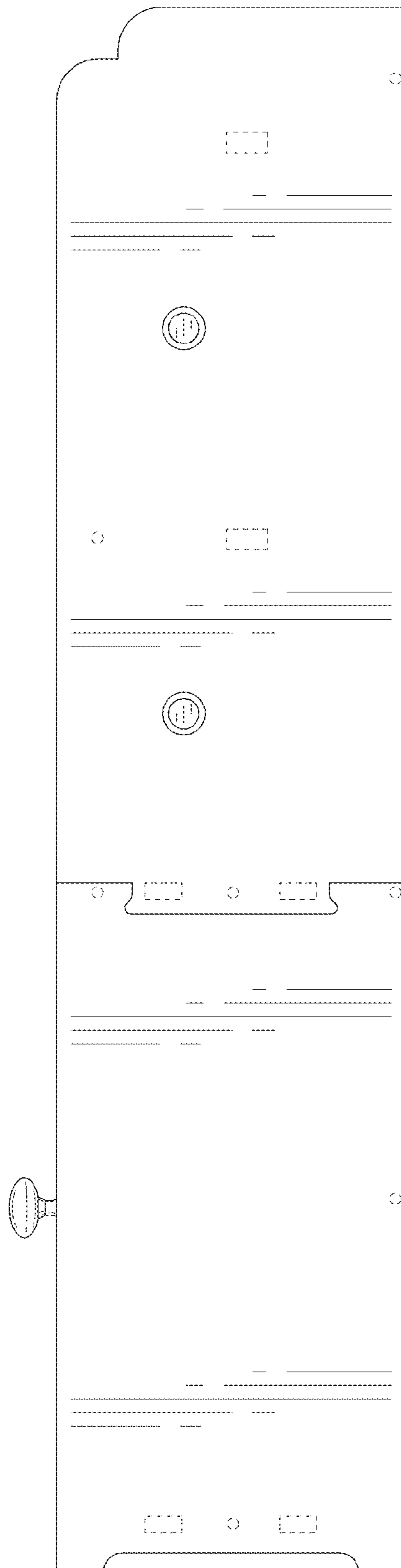


FIG. 6

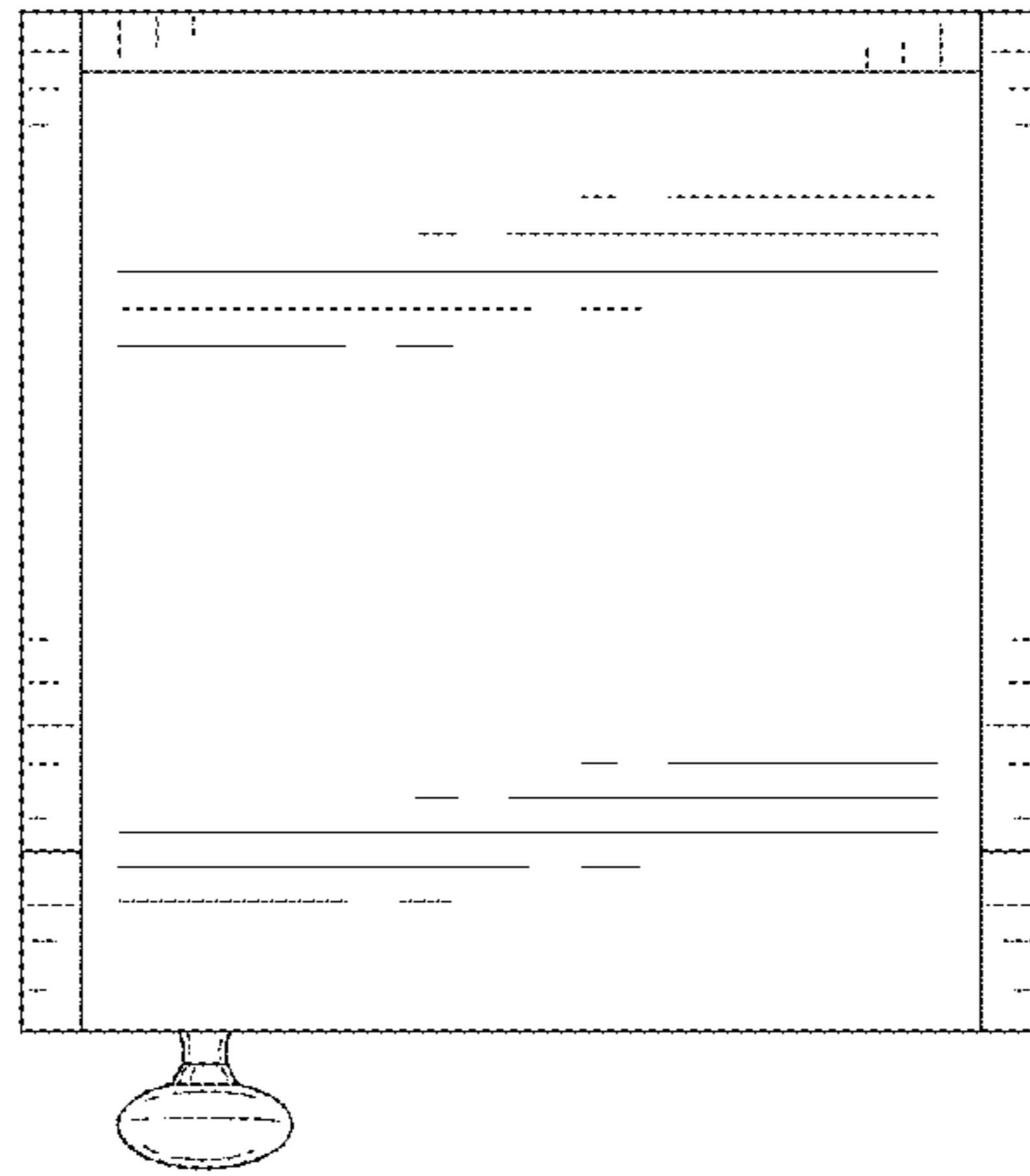


FIG. 7

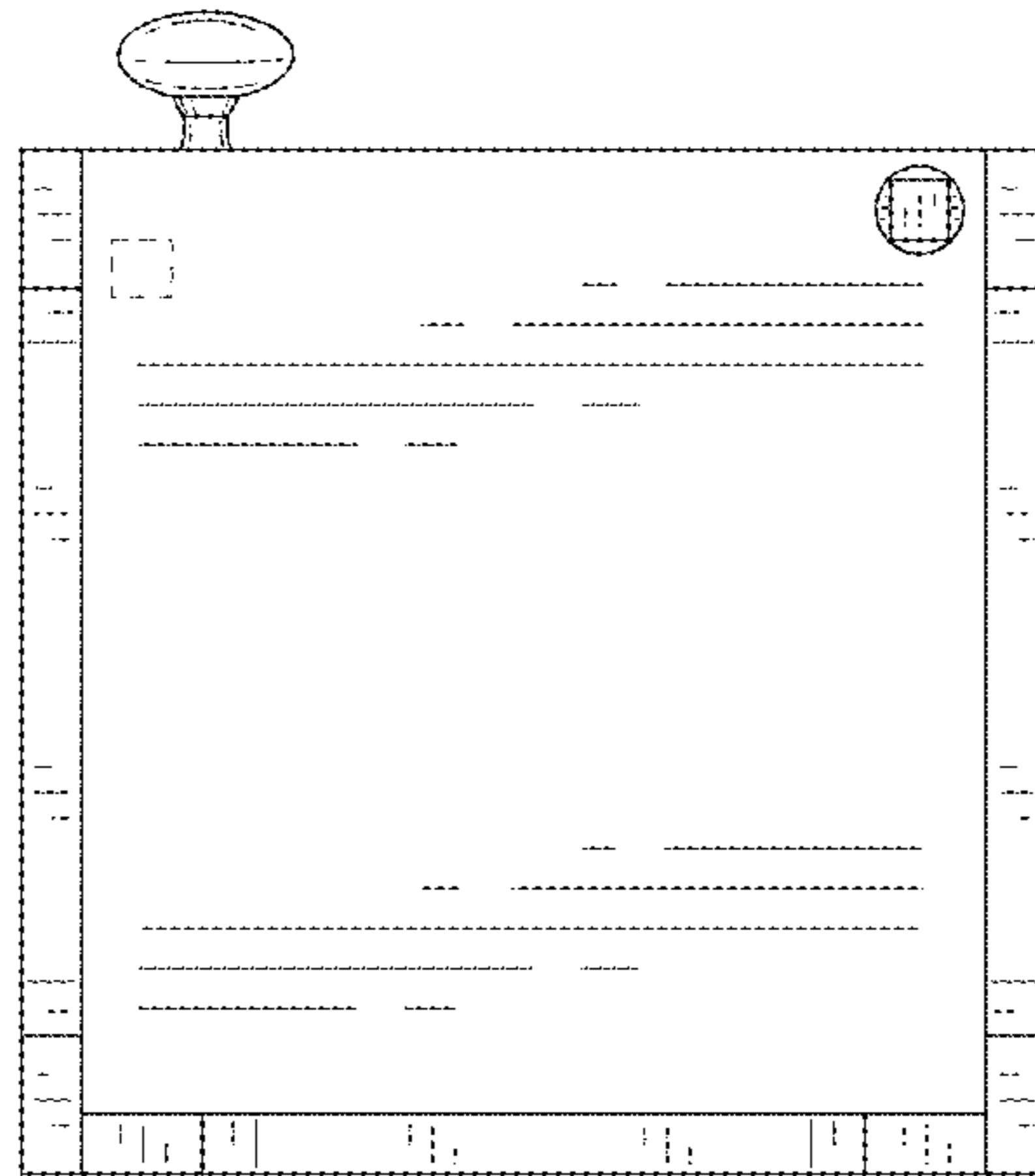


FIG. 8

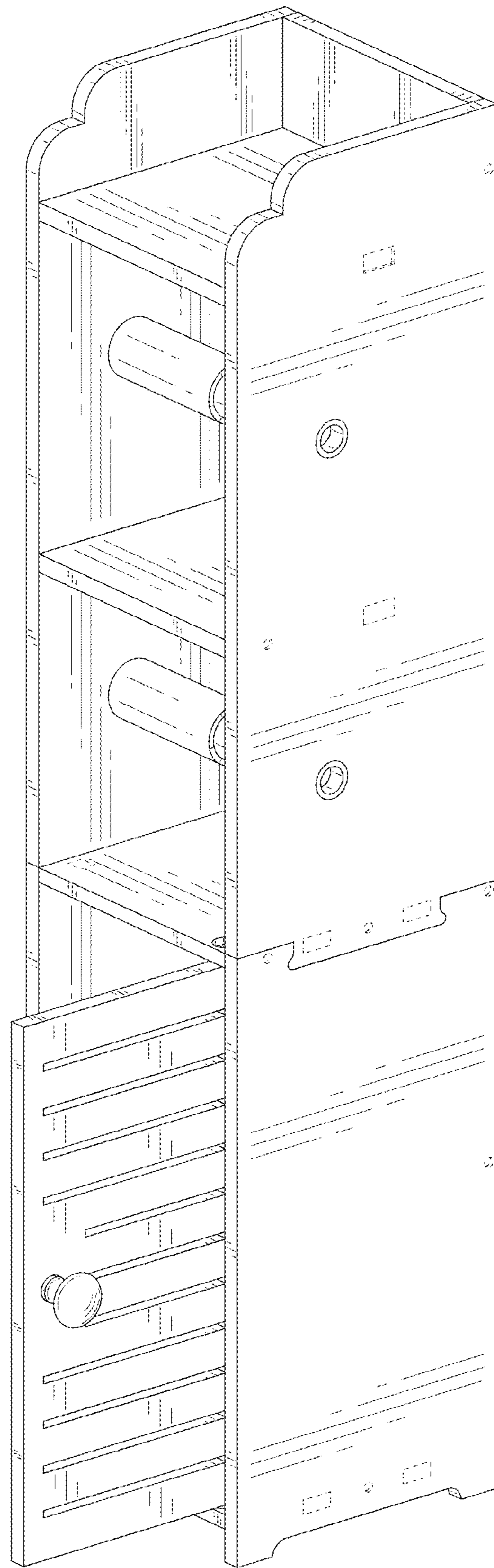


FIG. 9