



US00D970912S

(12) **United States Design Patent** (10) **Patent No.:** **US D970,912 S**
Schmitz et al. (45) **Date of Patent:** **** Nov. 29, 2022**

(54) **CHAIR**

(71) Applicant: **HERMAN MILLER, INC.**, Zeeland, MI (US)

(72) Inventors: **Johann Burkhard Schmitz**, Berlin (DE); **Carola Zwick**, Berlin (DE); **Roland Zwick**, Berlin (DE)

(73) Assignee: **MILLERKNOLL, INC.**, Zeeland, MI (US)

(**) Term: **15 Years**

(21) Appl. No.: **29/762,923**

(22) Filed: **Dec. 18, 2020**

(51) **LOC (13) Cl.** **06-01**

(52) **U.S. Cl.**
USPC **D6/366**

(58) **Field of Classification Search**
USPC D6/356, 364, 365, 366, 367, 379, 716, D6/716.4, 716.7, 360, 380; D21/521, 695
CPC A47C 1/03294; A47C 1/034; A47C 1/032; A47C 1/031; A47C 1/023; A47C 3/029; A47C 3/027; A47C 3/04; A47C 3/02; A47C 3/12; A47C 4/03; A47C 4/04; A47C 5/12; A47C 7/029; A47C 7/02; A47C 7/18; A47C 7/28; A47C 7/32; A47C 7/38; A47C 7/40; A47C 7/44; A47C 7/46; A47C 7/54; A47C
(Continued)

(56) **References Cited**

U.S. PATENT DOCUMENTS

D209,282 S * 11/1967 Boyd D6/375
D226,648 S * 4/1973 Sebel D6/375
(Continued)

FOREIGN PATENT DOCUMENTS

CN 105722433 B 5/2015
EP 0268746 B1 6/1990
(Continued)

OTHER PUBLICATIONS

International Search Report with Written Opinion for related Application No. PCT/US2020/037276 dated Sep. 25, 2020 (14 Pages).
(Continued)

Primary Examiner — Kevin K Rudzinski
Assistant Examiner — Paul D Bohannon

(74) *Attorney, Agent, or Firm* — Michael Best & Friedrich LLP

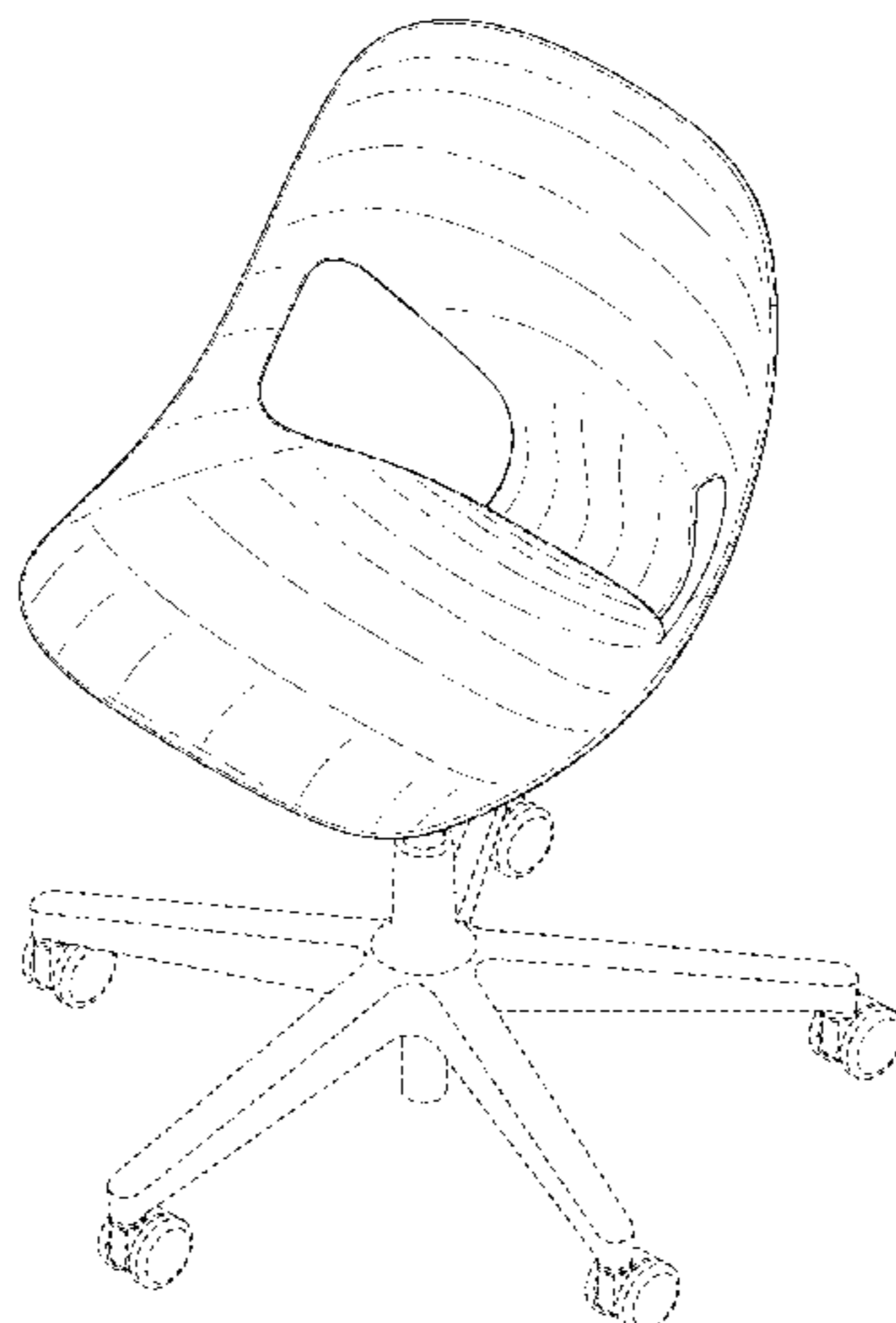
(57) **CLAIM**

We claim the ornamental design for a chair, as shown and described.

DESCRIPTION

FIG. 1 is a perspective view of a first embodiment of a chair. FIG. 2 is a front view of the chair of FIG. 1. FIG. 3 is a back view of the chair of FIG. 1. FIG. 4 is a first side view of the chair of FIG. 1. FIG. 5 is a second side view of the chair of FIG. 1. FIG. 6 is a top view of the chair of FIG. 1. FIG. 7 is a bottom view of the chair of FIG. 1. FIG. 8 is a perspective view of a second embodiment of the chair. FIG. 9 is a front view of the chair of FIG. 8. FIG. 10 is a back view of the chair of FIG. 8. FIG. 11 is a first side view of the chair of FIG. 8. FIG. 12 is a second side view of the chair of FIG. 8. FIG. 13 is a top view of the chair of FIG. 8; and, FIG. 14 is a bottom view of the chair of FIG. 8. Portions of the chair shown in evenly-spaced broken lines are for illustrative purposes only and form no part of the claimed design. The long and short broken lines indicate a boundary of the claimed design and form no part of the claimed design.

1 Claim, 14 Drawing Sheets



(58) **Field of Classification Search**

CPC 7/425; A47C 7/445; A47C 31/023; A47C 31/04; B60R 2/0284; B60R 2/062; B60R 22/001; B60R 22/24; B60R 22/28; B60R 22/58; B60R 22/64; B60R 22/68; B60R 22/80; B60R 22/99; B60R 22/245; B60R 22/643; B60R 22/646; B60R 22/665; B60R 22/686; B60R 22/688; B60R 22/803; B60R 22/986; B60R 22/914; B60R 22/995; F16B 2/08; F16B 45/00; Y10S 297/01; A47D 13/10

See application file for complete search history.

(56) **References Cited**

U.S. PATENT DOCUMENTS

D227,830 S * 7/1973 Klose D6/366
 4,054,317 A 10/1977 Stumpf et al.
 D276,956 S * 1/1985 Aronowitz D6/366
 4,529,249 A 7/1985 Stumpf et al.
 4,653,806 A 3/1987 Willi
 5,029,940 A 7/1991 Golynsky et al.
 5,106,157 A 4/1992 Nagelkirk et al.
 5,333,934 A 8/1994 Knoblock
 5,352,022 A 10/1994 Knoblock
 D368,608 S * 4/1996 Stirling D6/366
 5,725,277 A 3/1998 Knoblock
 5,765,914 A 6/1998 Britain et al.
 5,951,109 A 9/1999 Roslund, Jr. et al.
 D417,795 S * 12/1999 Rashid D6/375
 6,425,633 B1 7/2002 Wilkerson et al.
 6,428,099 B1 8/2002 Kain
 6,609,755 B2 8/2003 Koepke et al.
 6,820,936 B2 11/2004 Wilkerson et al.
 6,945,602 B2 9/2005 Fookes et al.
 D513,902 S * 1/2006 Piretti D6/380
 D525,446 S * 7/2006 Farber D6/375
 D546,087 S * 7/2007 Rashid D6/375
 D548,475 S * 8/2007 Ritch D6/368
 D553,380 S * 10/2007 Natuzzi D6/375
 D555,380 S * 11/2007 Farber D6/375
 D588,371 S * 3/2009 Picco D6/375

7,500,718 B2 3/2009 Fookes
 7,503,626 B2 3/2009 Maier et al.
 D678,690 S * 3/2013 Eldoy D6/366
 D679,525 S * 4/2013 Corcoran A47C 7/70
 D6/716
 8,899,678 B2 12/2014 Doolan et al.
 8,998,318 B2 4/2015 Gaudreau, Jr.
 D742,132 S 11/2015 Morrison
 9,364,091 B2 6/2016 Costaglia
 D763,612 S * 8/2016 Goetz D6/716
 9,402,478 B2 8/2016 Hasegawa et al.
 10,021,984 B2 7/2018 Ludwig et al.
 10,167,083 B2 1/2019 Henshaw
 10,194,750 B2 2/2019 Ludwig et al.
 10,449,876 B2 10/2019 Lonstein et al.
 10,531,738 B2 1/2020 Schmitz et al.
 D931,639 S * 9/2021 Öjerstam D6/366
 D939,230 S * 12/2021 Hayon D6/366
 2011/0193384 A1 8/2011 Ni
 2015/0223605 A1 8/2015 Piretti
 2016/0128483 A1 5/2016 Gorgi
 2018/0125245 A1 5/2018 Ludwig et al.
 2018/0125246 A1 5/2018 Ludwig et al.

FOREIGN PATENT DOCUMENTS

EP 3217845 B1 9/2018
 EP 3556252 A1 10/2019
 JP 2016036641 A 3/2016
 WO WO2009090769 A1 7/2009
 WO WO2017135831 A1 8/2017
 WO WO2019201608 A1 10/2019

OTHER PUBLICATIONS

Registered Community Design by EUIPO No. CD002847095-0001, Published Nov. 18, 2015 (6 Pages).
 ETA Deutschland, "AKTION 2000", HD13004066 design of a chair received from the JPO on Jan. 12, 2001 (2 Pages).
 Design of a chair shown in Contract, published by Vnu Business Publications, No. HD24003919, received by the JPO Jul. 17, 2012 (2 Pages).

* cited by examiner

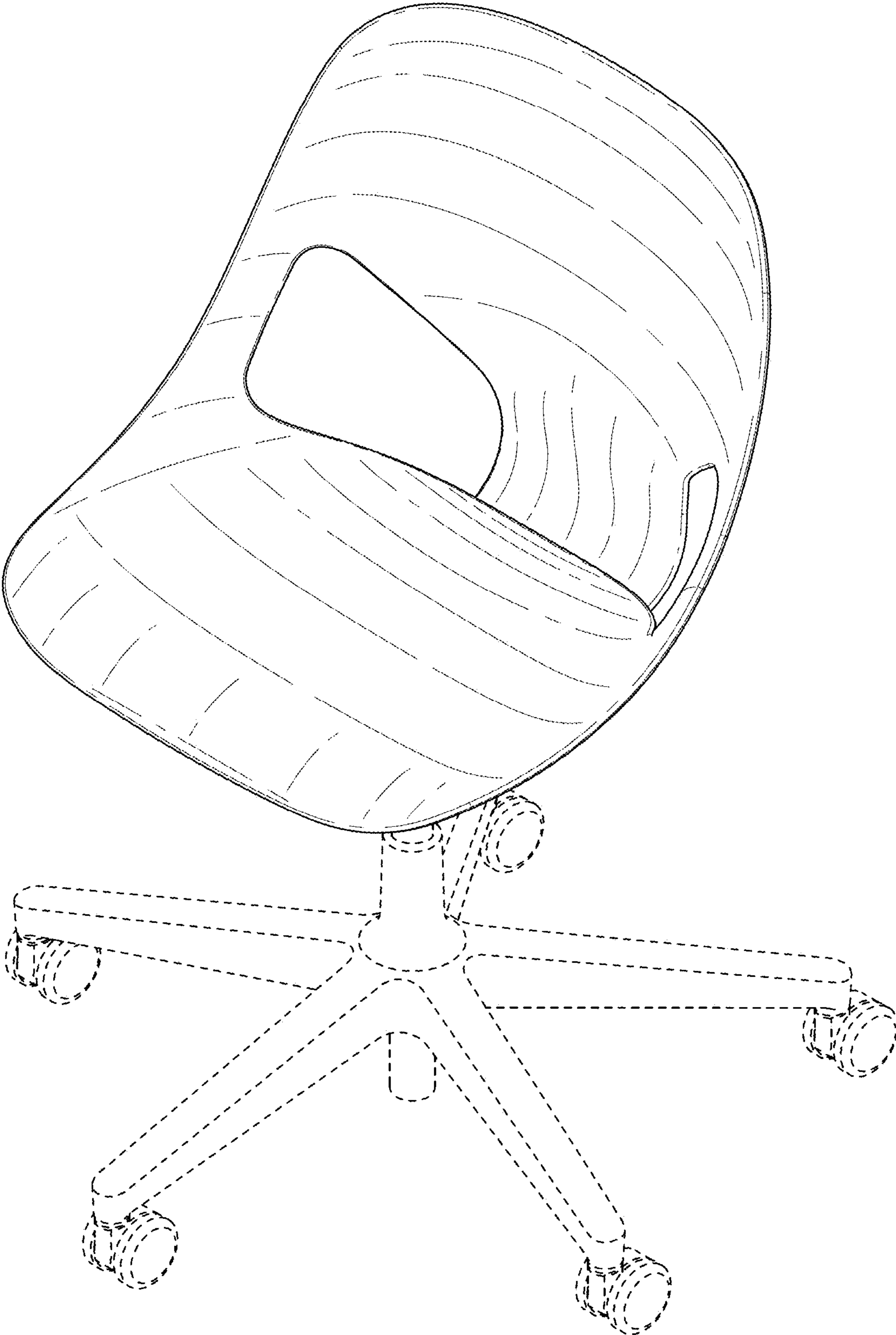


FIG. 1

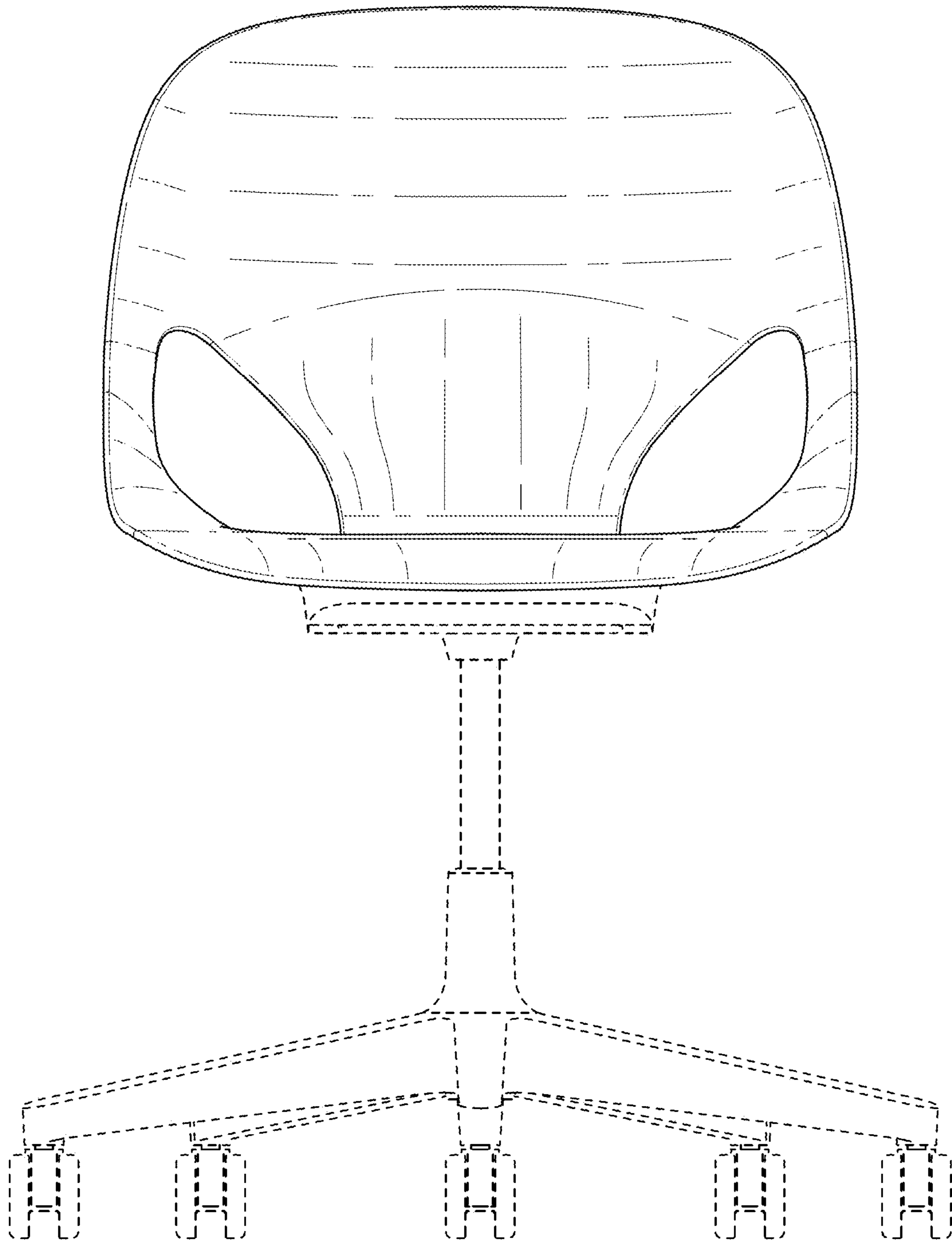


FIG. 2

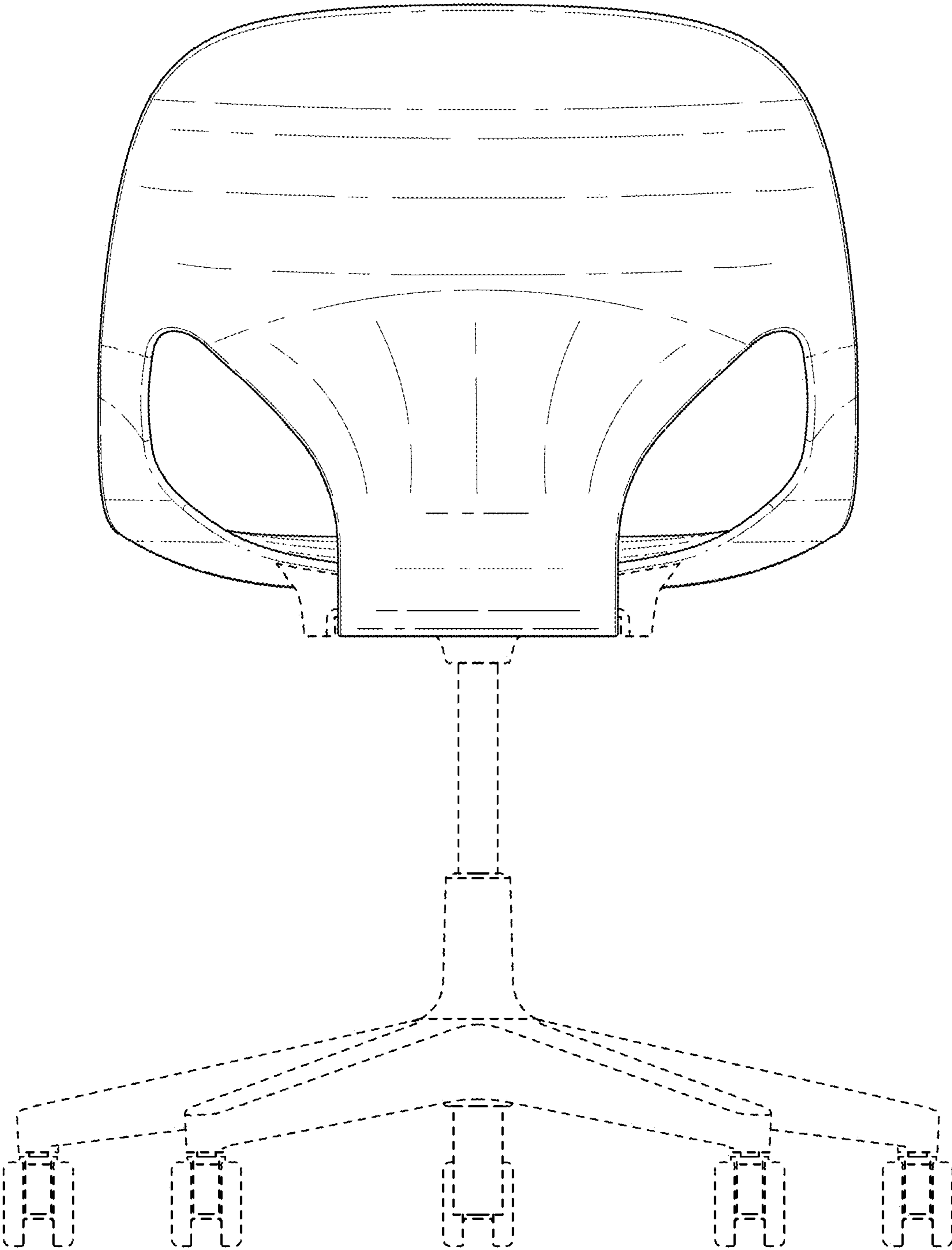


FIG. 3

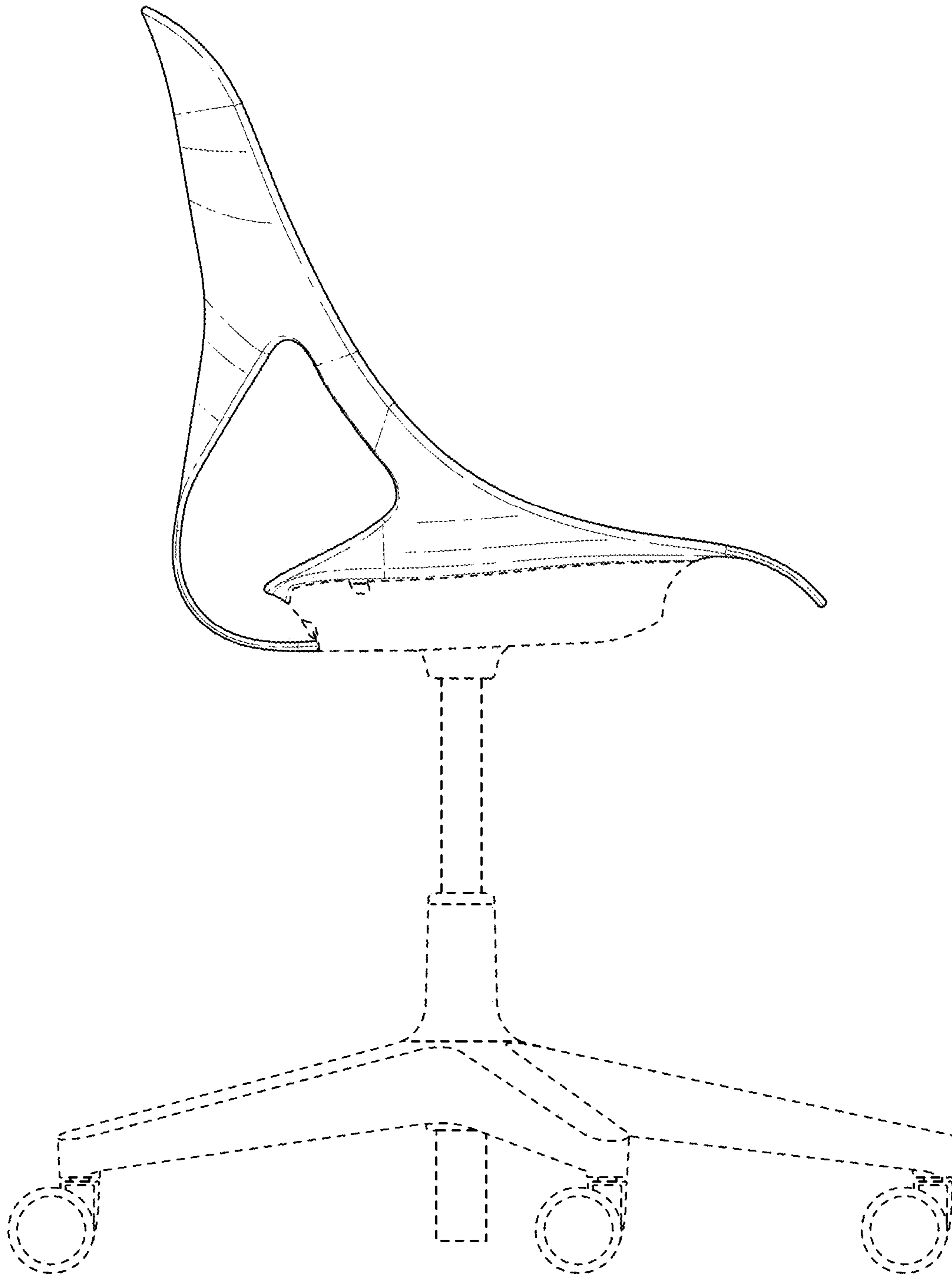


FIG. 4

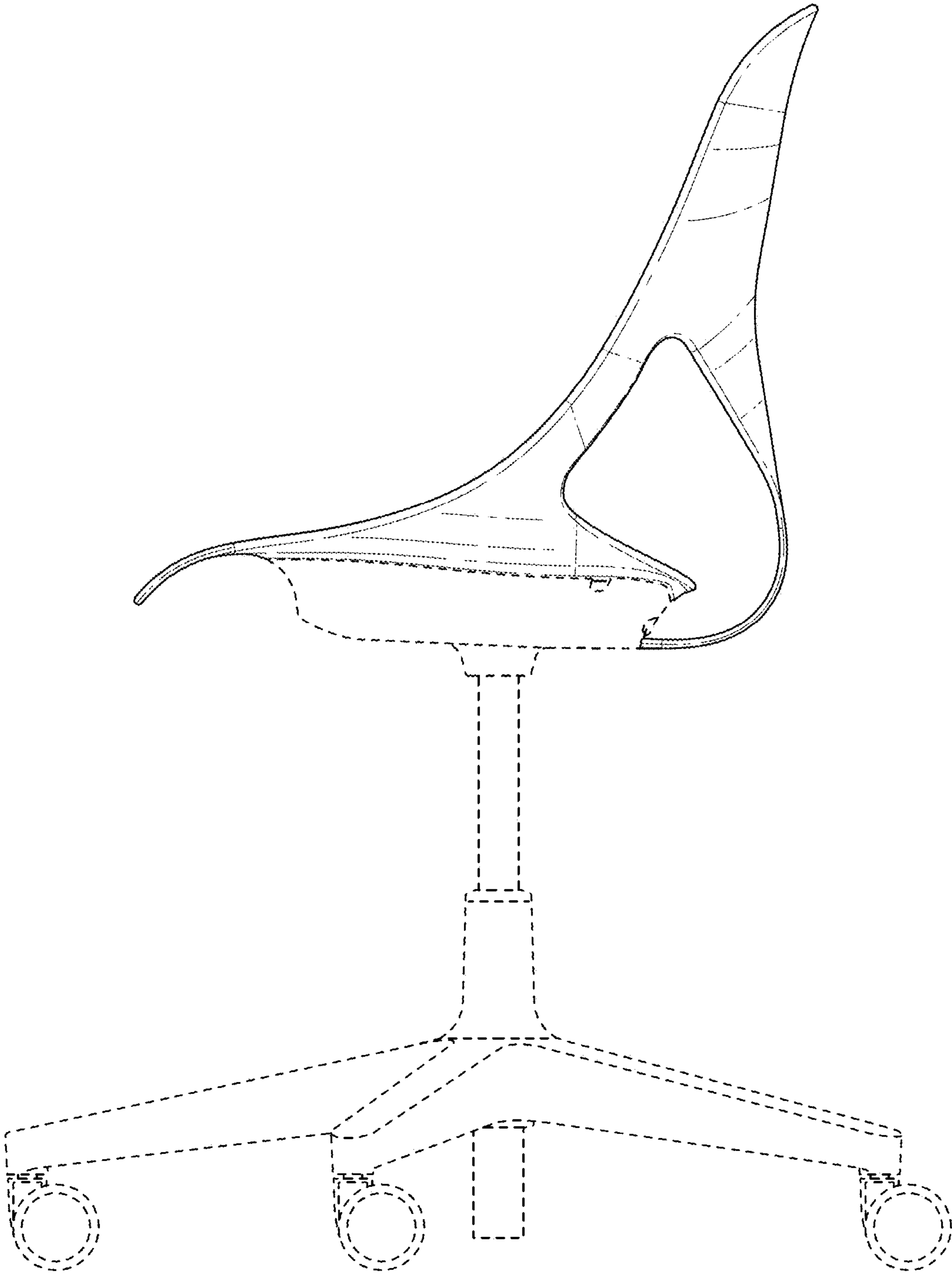


FIG. 5

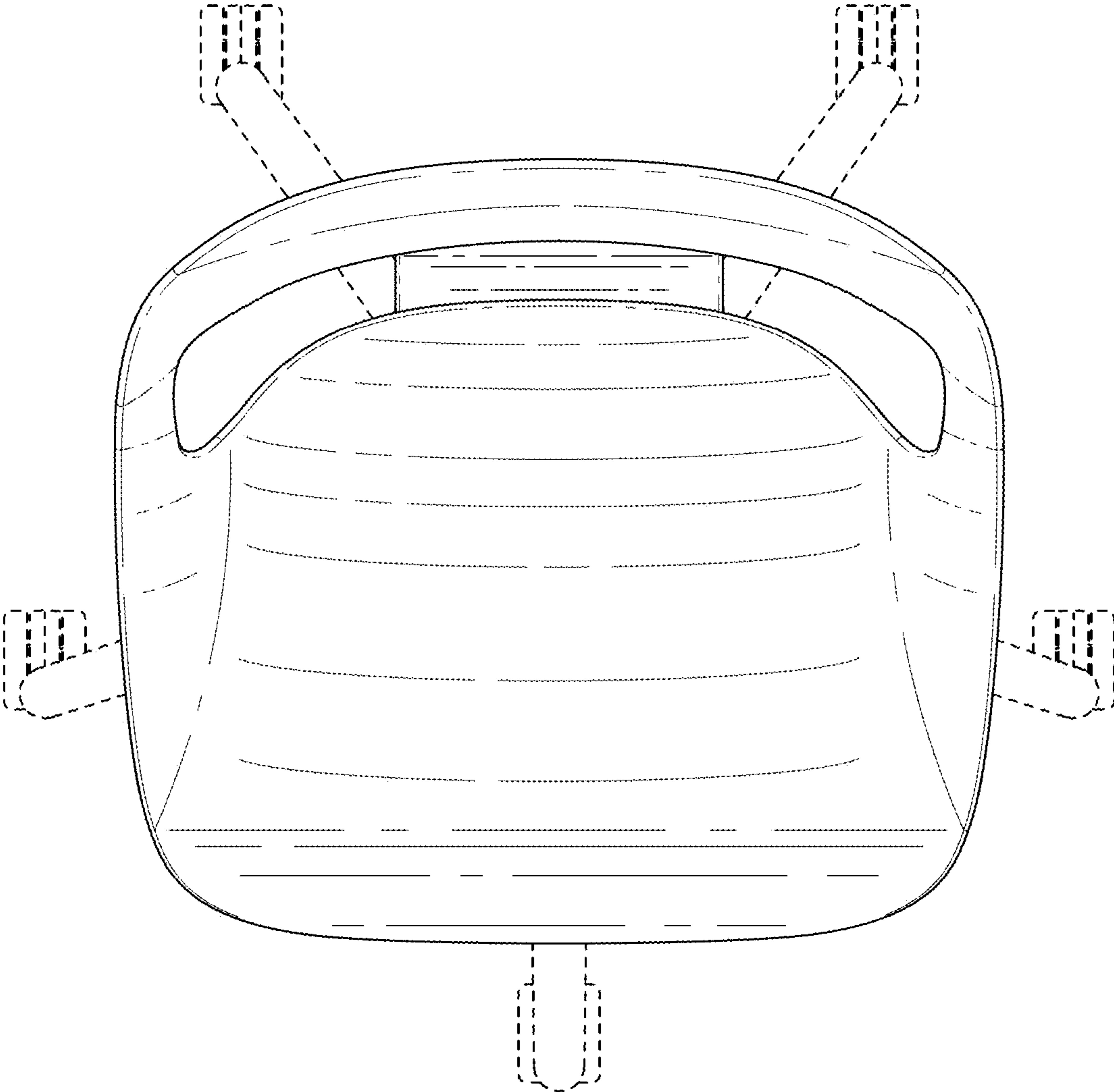


FIG. 6

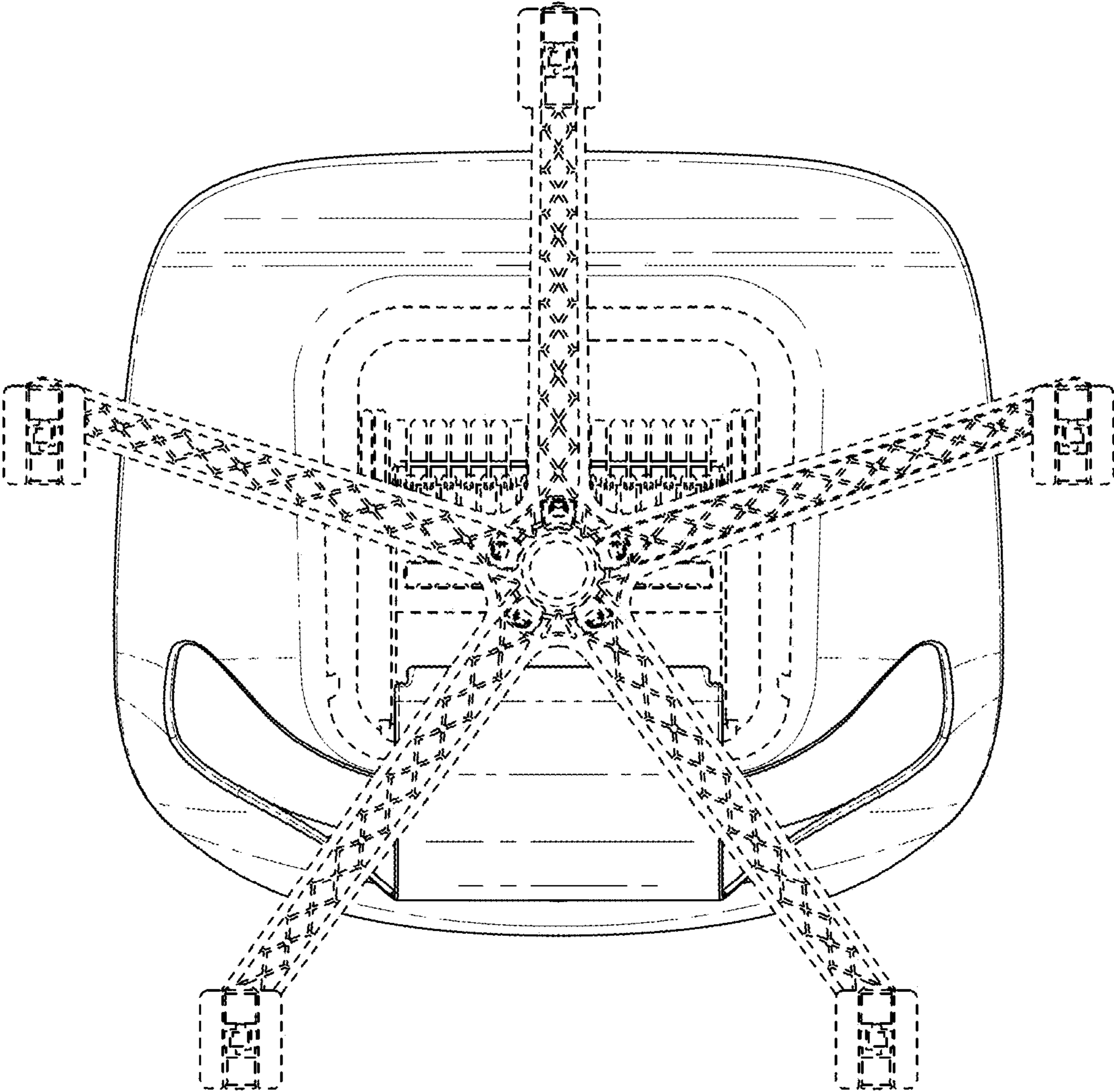


FIG. 7

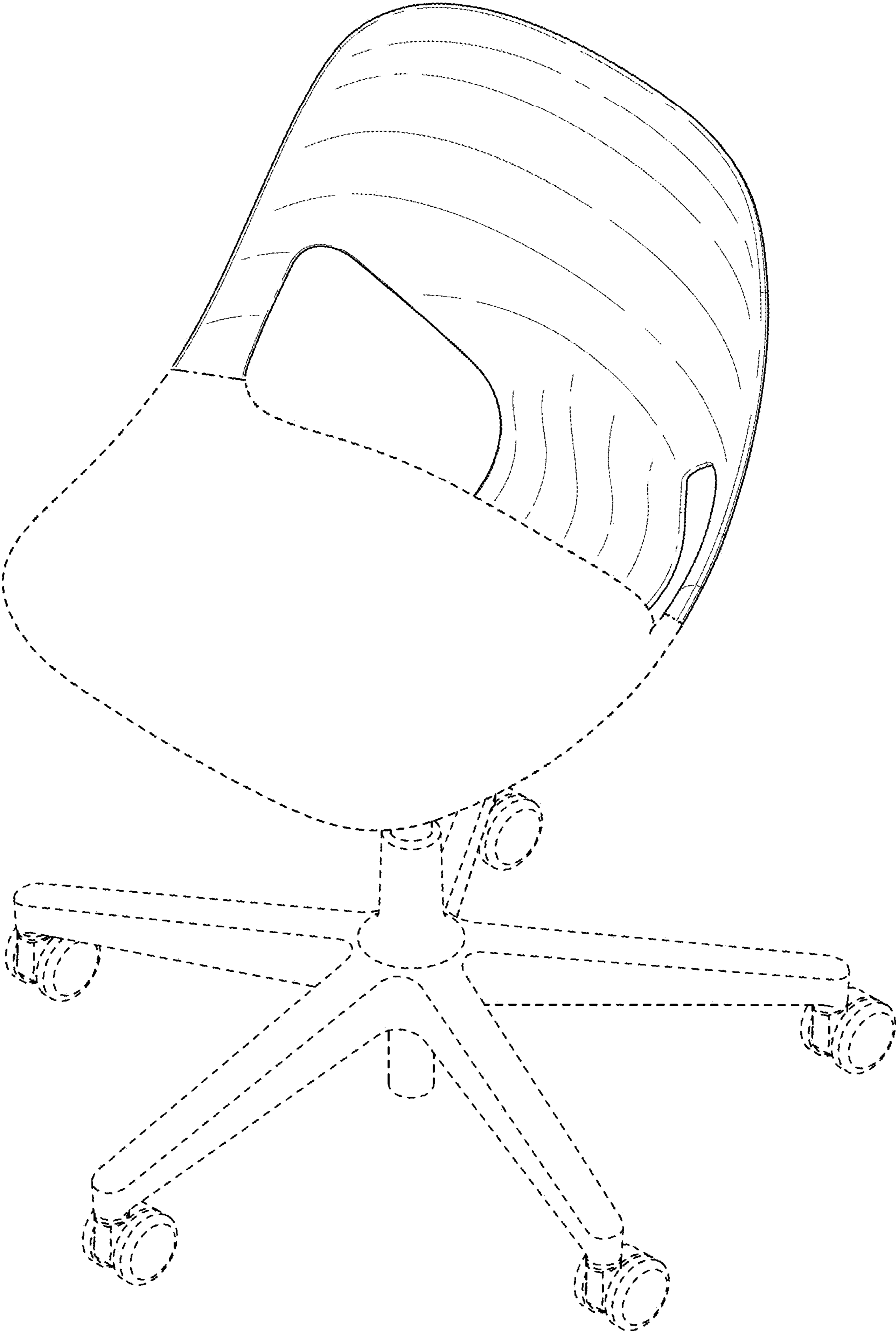


FIG. 8

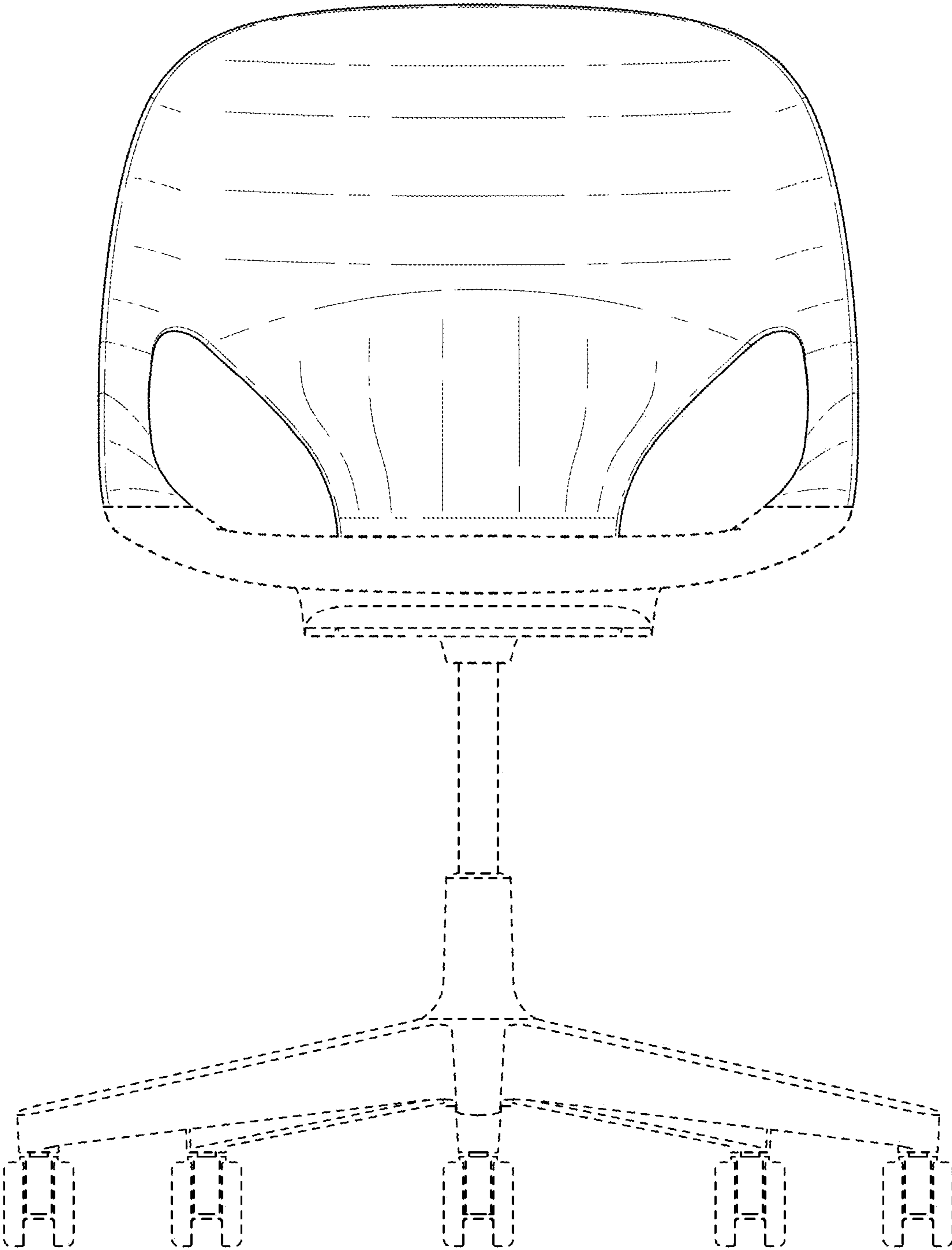


FIG. 9

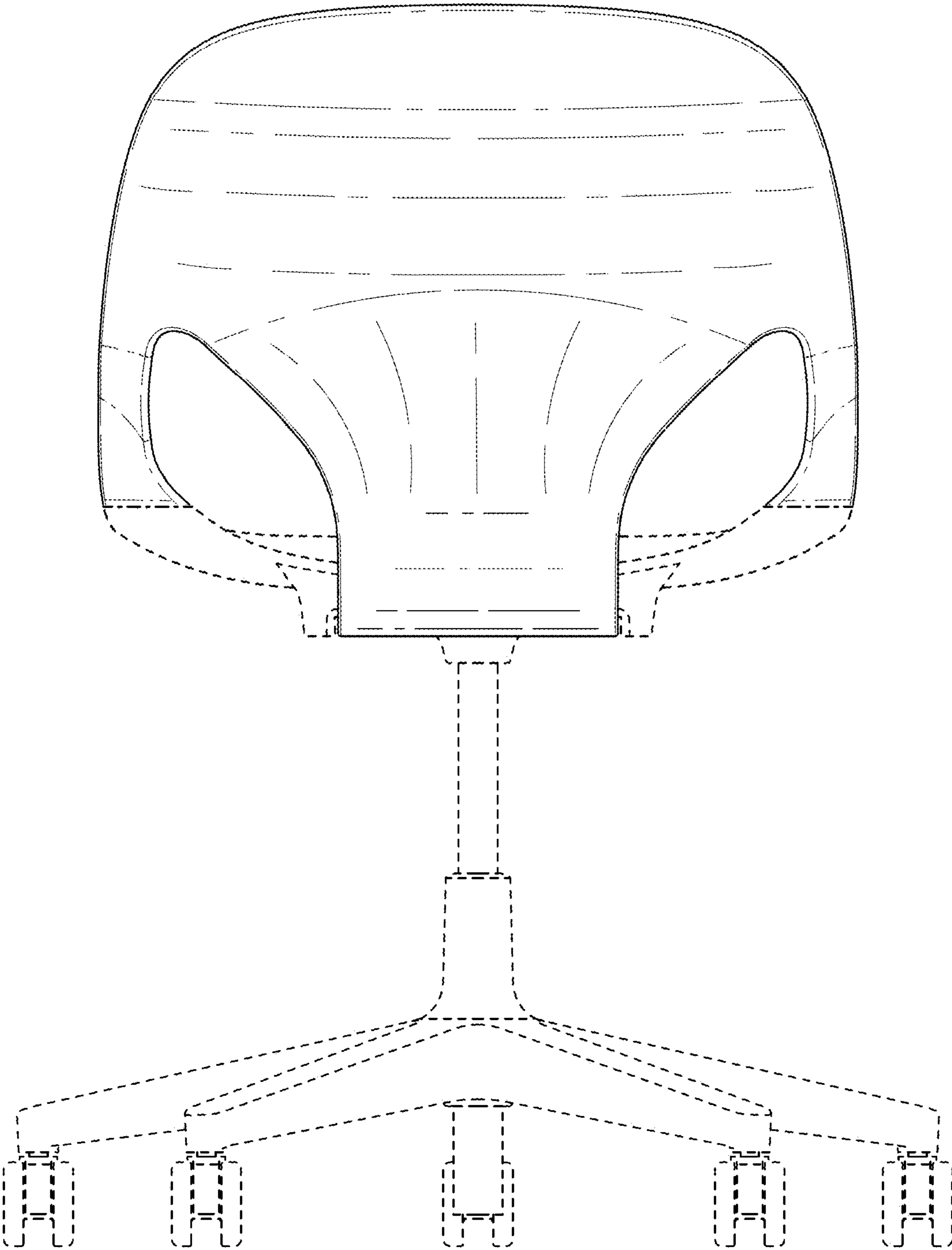


FIG. 10

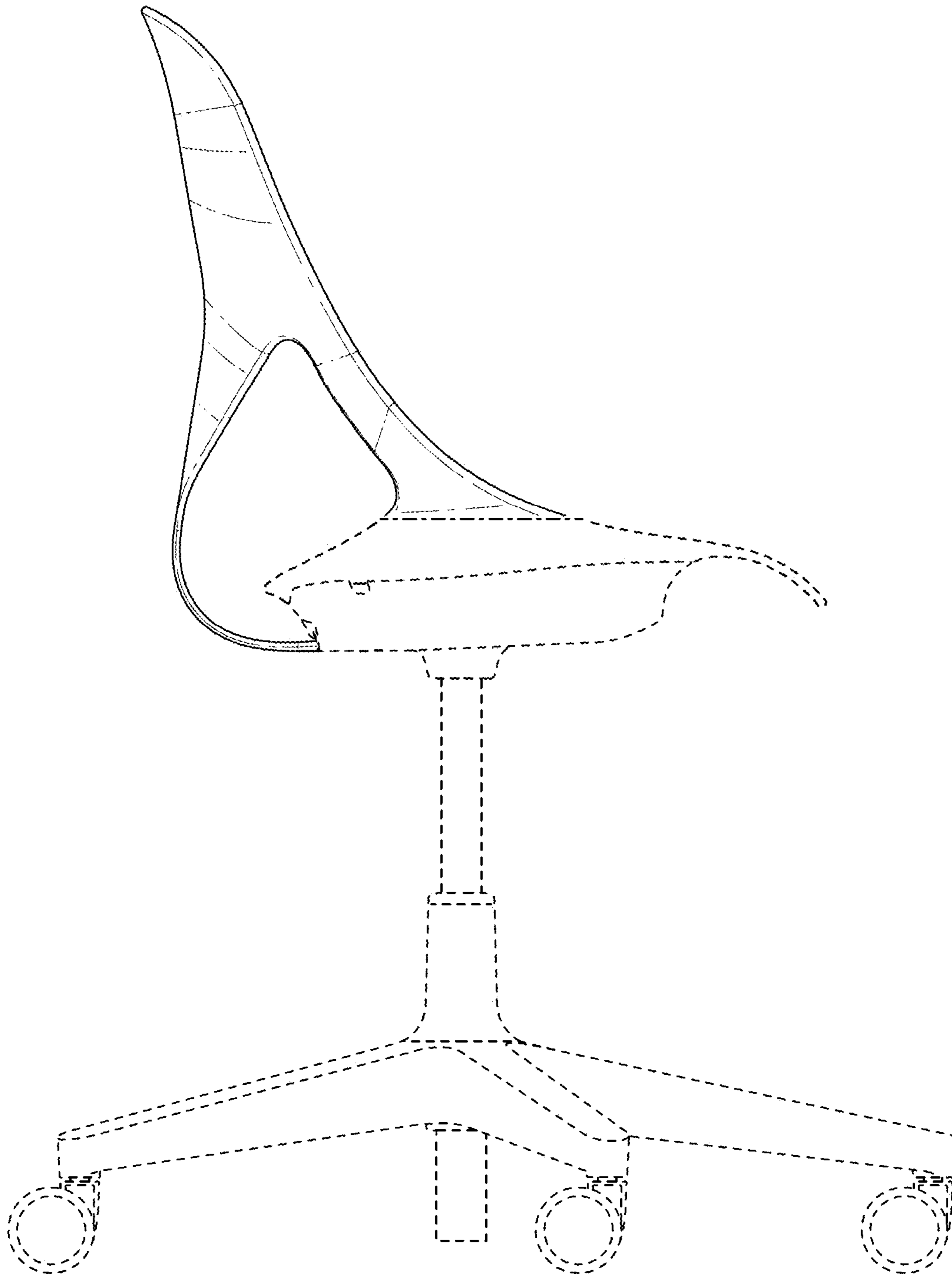


FIG. 11

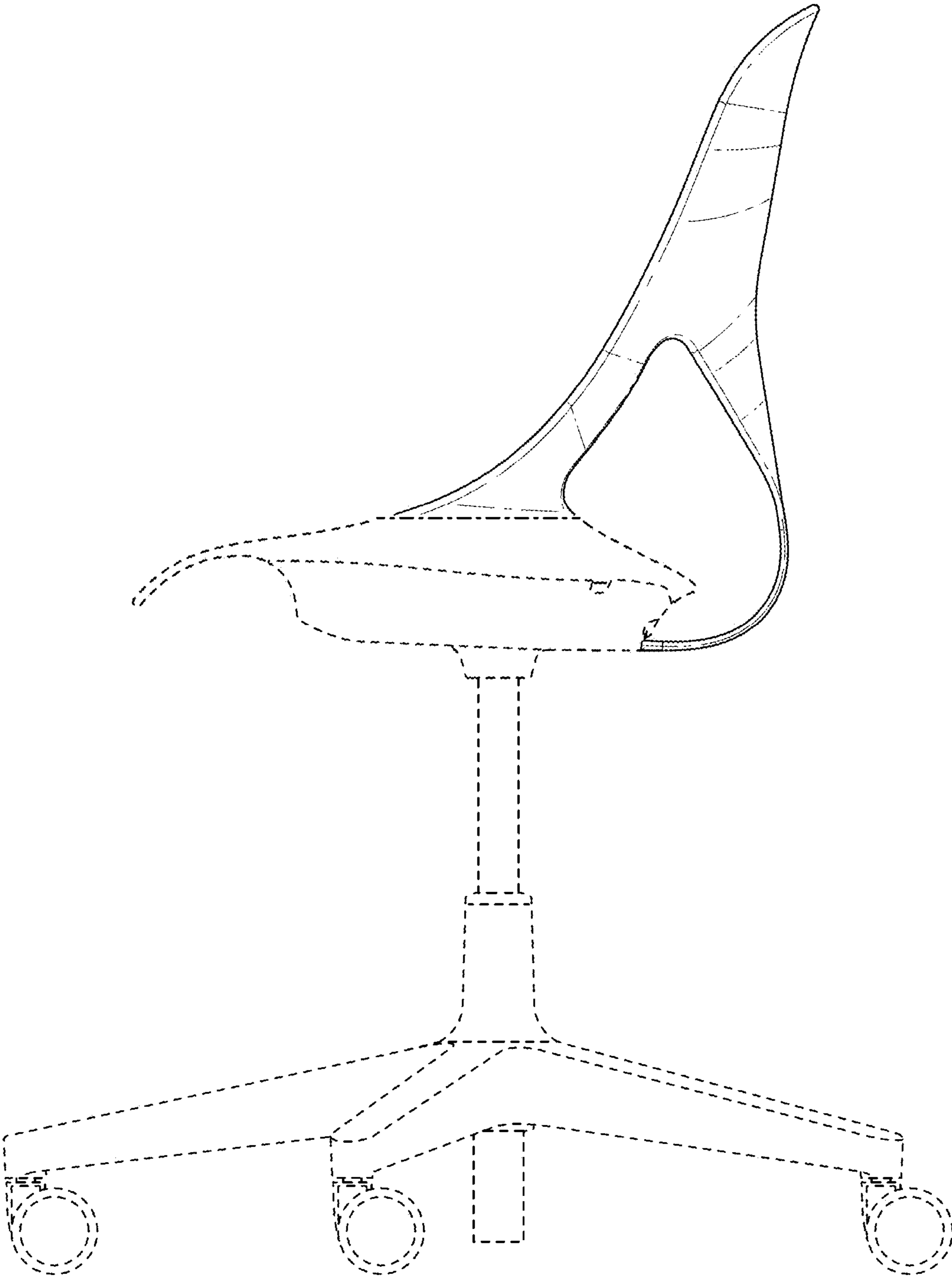


FIG. 12

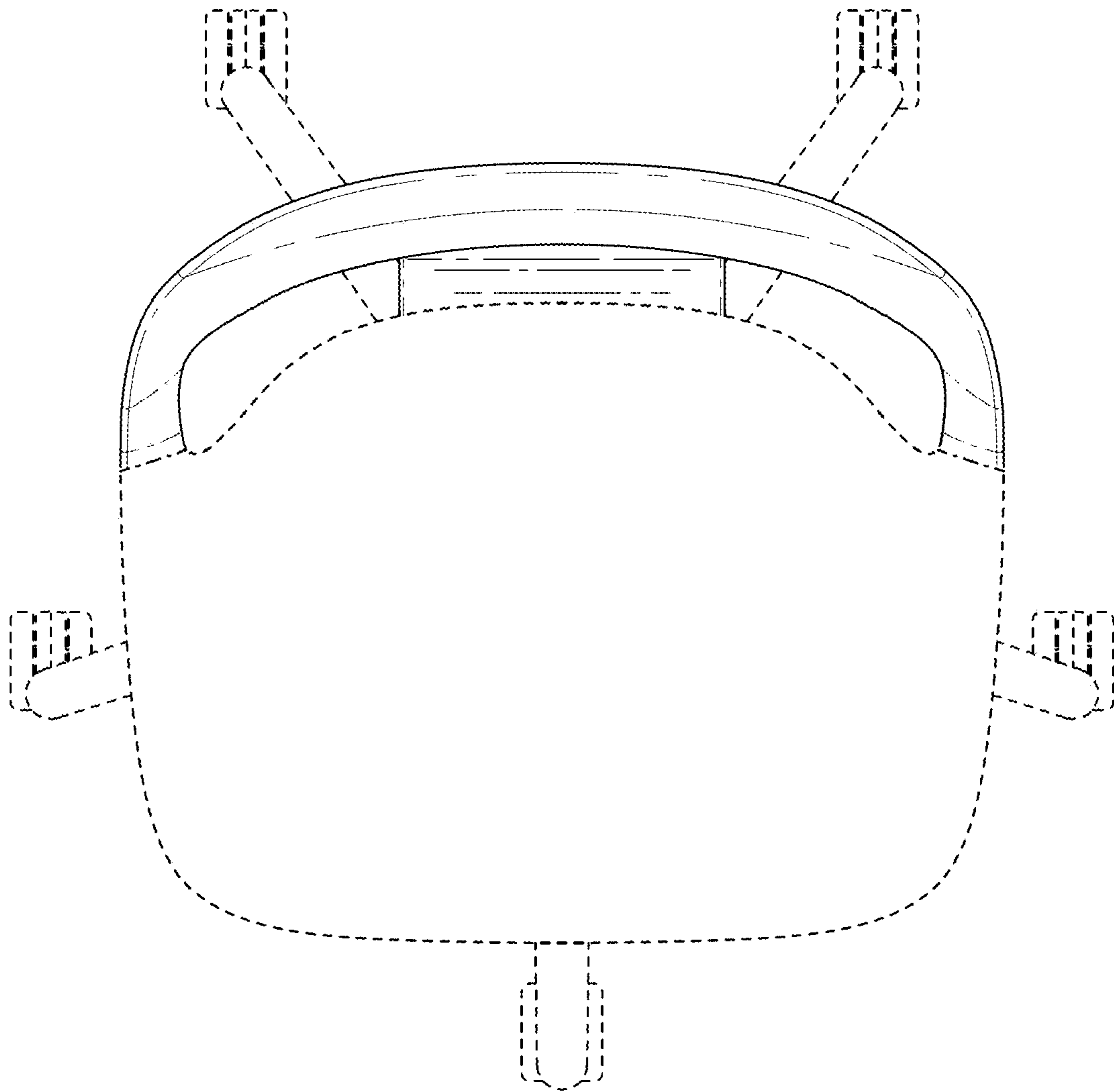


FIG. 13

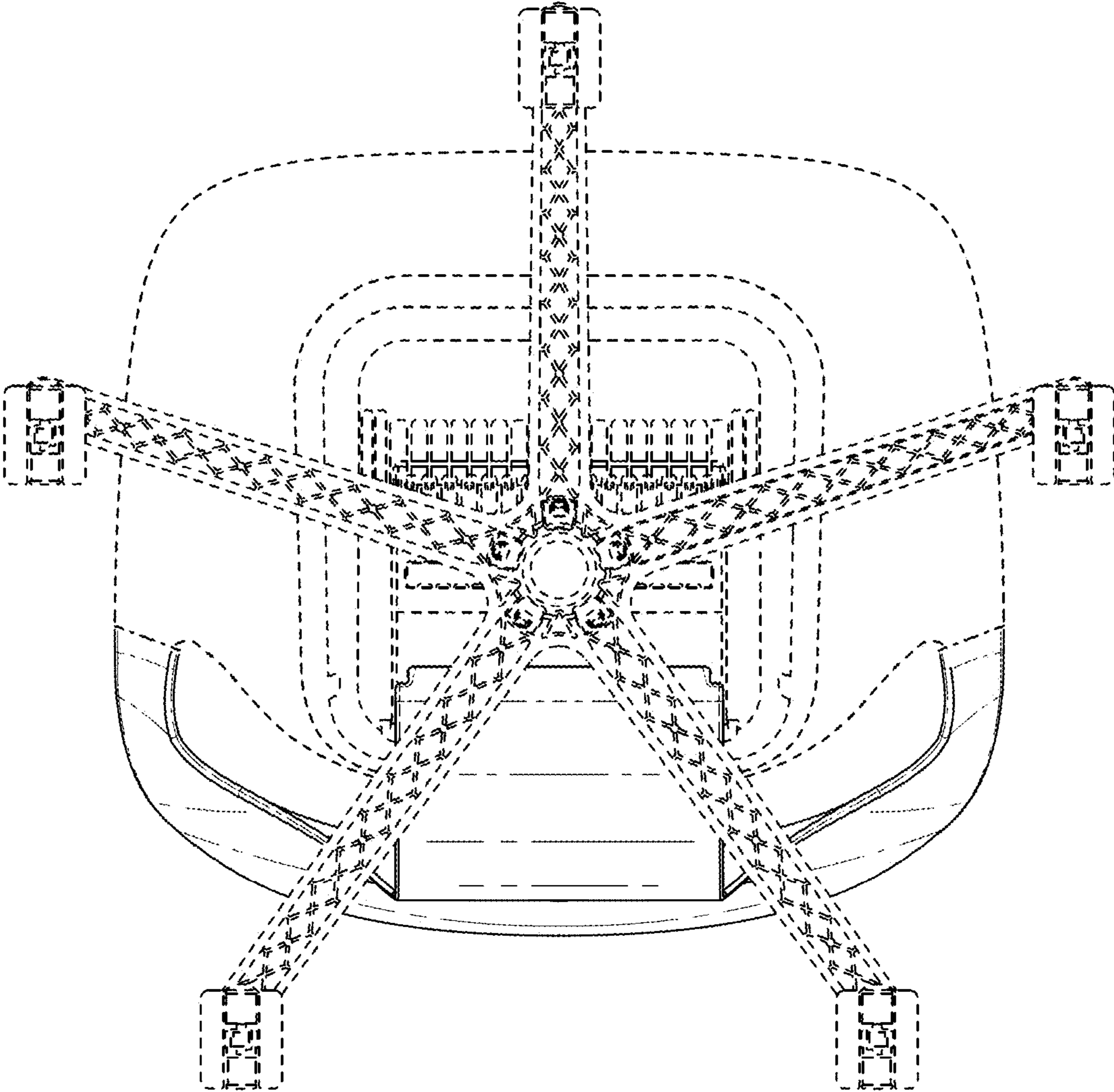


FIG. 14