



US00D970911S

(12) **United States Design Patent** (10) **Patent No.:** **US D970,911 S**  
**Xiao** (45) **Date of Patent:** **\*\* Nov. 29, 2022**

(54) **CHAIR AND TABLE SET**

FOREIGN PATENT DOCUMENTS

(71) Applicant: **TAIZHOU SUKK FURNITURE CO., LTD**, Taizhou (CN)

EM 007116611-0001 \* 12/2019  
GB 9007116611-0001 \* 10/2019

(72) Inventor: **Shuangshuang Xiao**, Taizhou (CN)

OTHER PUBLICATIONS

(73) Assignee: **TAIZHOU SUKK FURNITURE CO., LTD**, Taizhou (CN)

Sukk Facebook post [online], [site visited Mar. 10, 2022]. Available from internet, URL: <<https://www.facebook.com/sukkfurniture/photos/pcb.1295073857550030/1295073667550049/>> (Year: 2020).\*

(\*\*) Term: **15 Years**

(Continued)

(21) Appl. No.: **29/718,369**

*Primary Examiner* — Cynthia Ramirez  
*Assistant Examiner* — Xavier Marti-Santos

(22) Filed: **Dec. 23, 2019**

(51) **LOC (13) Cl.** ..... **06-01**

(52) **U.S. Cl.**  
USPC ..... **D6/338; D6/370**

(57) **CLAIM**

(58) **Field of Classification Search**  
USPC ..... D6/334–338, 340–343, 349–353, 355,  
D6/358, 360, 364–365, 367, 370,  
D6/371–373, 381, 596, 597, 601, 604,  
D6/691–691.9, 692–692.6, 708.2, 708,  
D6/716–716.1

The ornamental design for a chair and table set, as shown and described.

CPC ..... A47C 4/02; A47C 4/021; A47C 4/024;  
A47C 4/025; A47C 4/027; A47C 4/03;  
A47C 4/08; A47C 7/16; A47C 11/00  
See application file for complete search history.

**DESCRIPTION**

(56) **References Cited**

U.S. PATENT DOCUMENTS

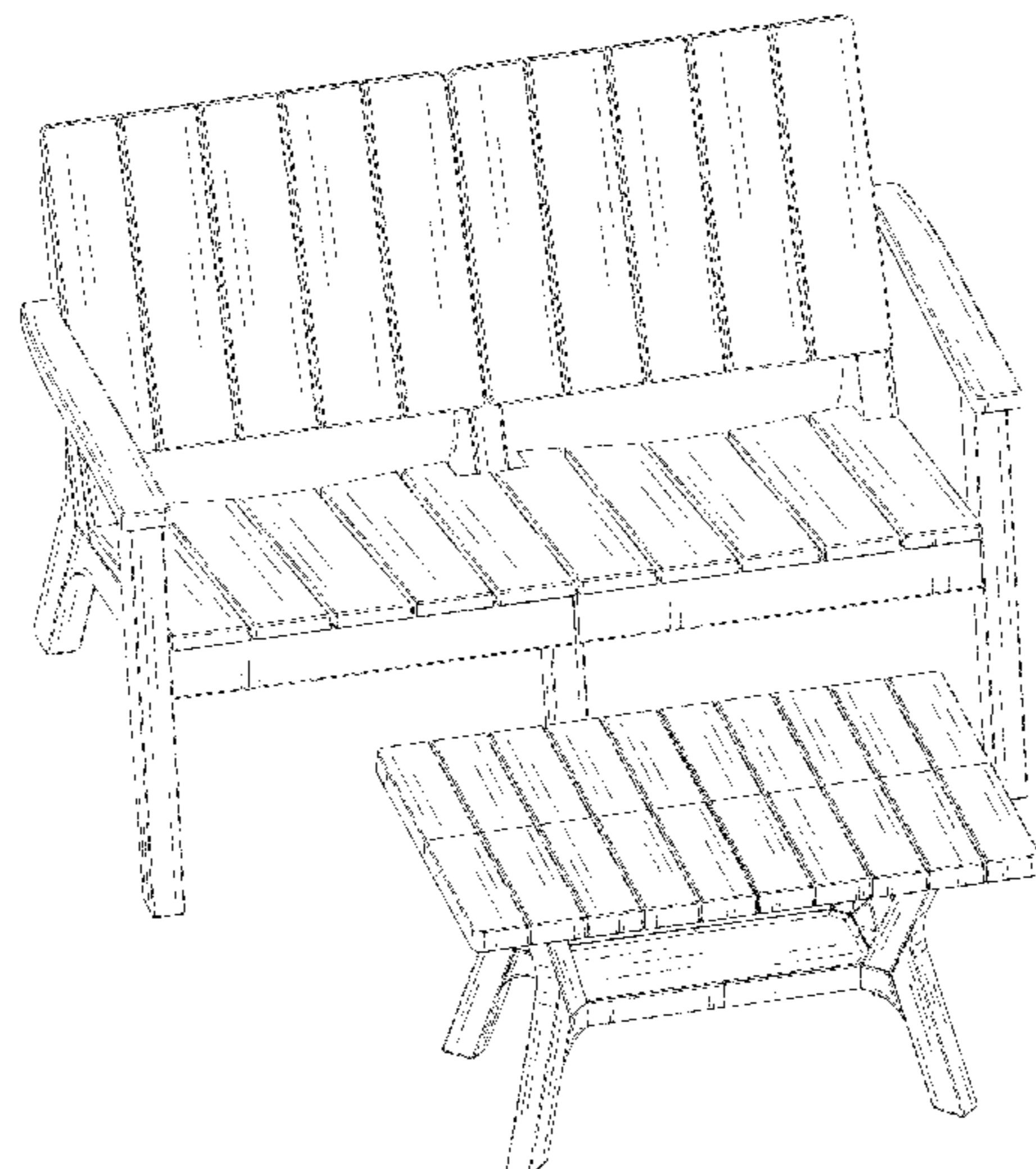
D541,547 S \* 5/2007 Goldstein ..... D6/381  
D655,953 S \* 3/2012 Hughes ..... D6/717  
D723,816 S \* 3/2015 Thuma ..... D6/336  
D727,040 S \* 4/2015 Thuma ..... D6/336  
D727,041 S \* 4/2015 Thuma ..... D6/336  
D728,250 S \* 5/2015 Thuma ..... D6/336  
D729,528 S \* 5/2015 Thuma ..... D6/336  
D839,615 S \* 2/2019 Tham ..... D6/381  
10,638,848 B1 \* 5/2020 Wesley ..... A47C 11/00  
D932,201 S \* 10/2021 Xiao ..... D6/369  
D938,750 S \* 12/2021 Asner ..... D6/370  
D958,553 S \* 7/2022 Xiao ..... D6/370

FIG. 1 is a perspective view of a first embodiment of a chair and table set showing my new design;  
FIG. 2 is a front elevational view thereof;  
FIG. 3 is a rear elevational view thereof;  
FIG. 4 is a left side elevational view thereof;  
FIG. 5 is a right side elevational view thereof;  
FIG. 6 is a top plan view thereof;  
FIG. 7 is a perspective view of a second embodiment of a chair and table set showing my new design;  
FIG. 8 is a front elevational view thereof;  
FIG. 9 is a rear elevational view thereof;  
FIG. 10 is a left side elevational view thereof;  
FIG. 11 is a right side elevational view thereof; and,  
FIG. 12 is a top plan view thereof.

The broken lines in the figures are for the purpose of illustrating portions of the chair and table set, which form no part of the claimed design.

**1 Claim, 12 Drawing Sheets**

(Continued)



(56)

**References Cited**

U.S. PATENT DOCUMENTS

2019/0239650 A1\* 8/2019 Nelson ..... E05B 65/5284  
2019/0383085 A1\* 12/2019 Hsu ..... E05G 1/08

OTHER PUBLICATIONS

Garden Patio Furniture Double Wood Adirondack Chair [online],  
[site visited Mar. 10, 2022]. Available from internet, URL: <[https://  
onlinechina.shop/p-62270304080](https://onlinechina.shop/p-62270304080)> (Year: 2022).\*

\* cited by examiner



FIG. 1

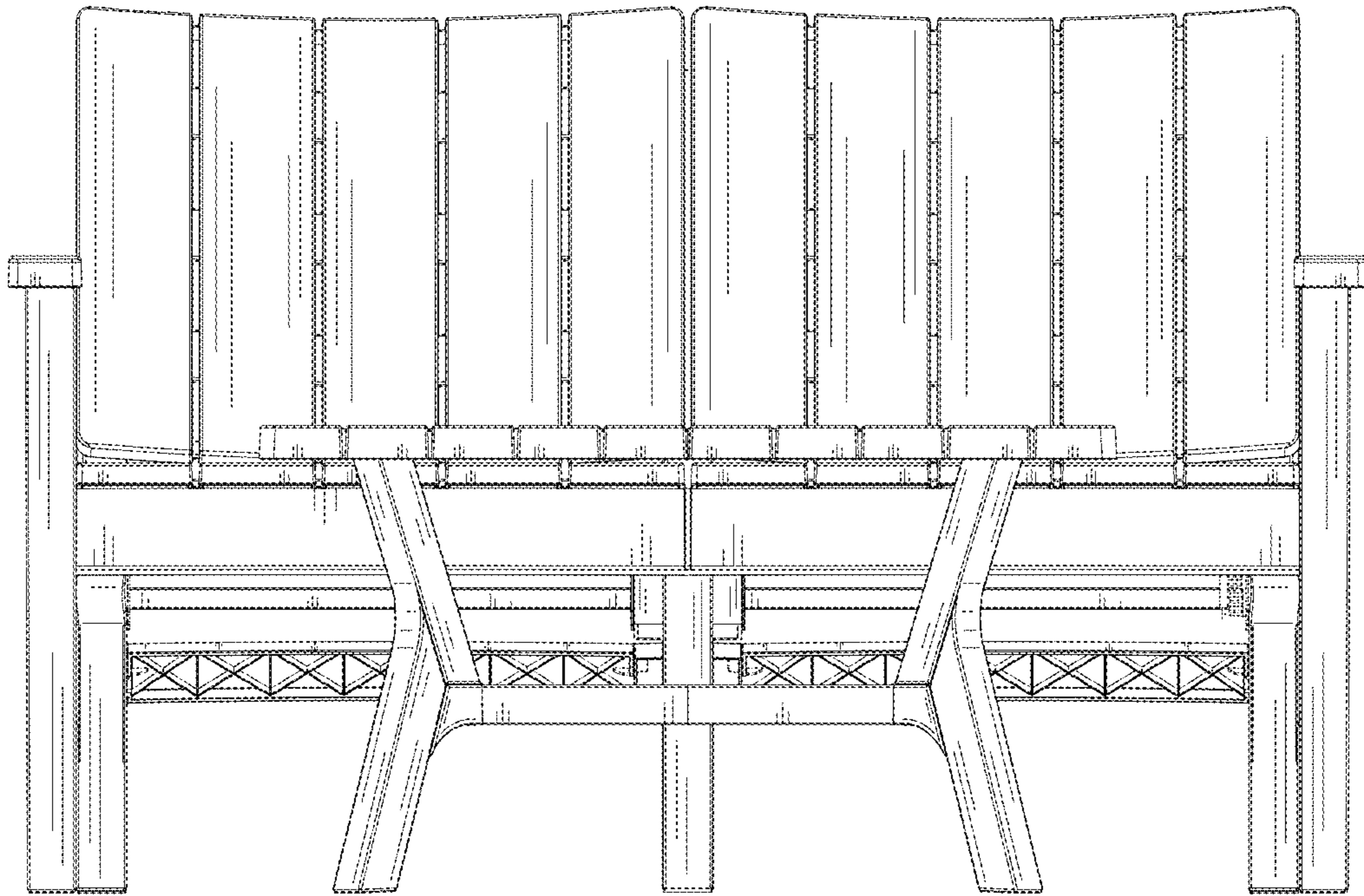


FIG. 2

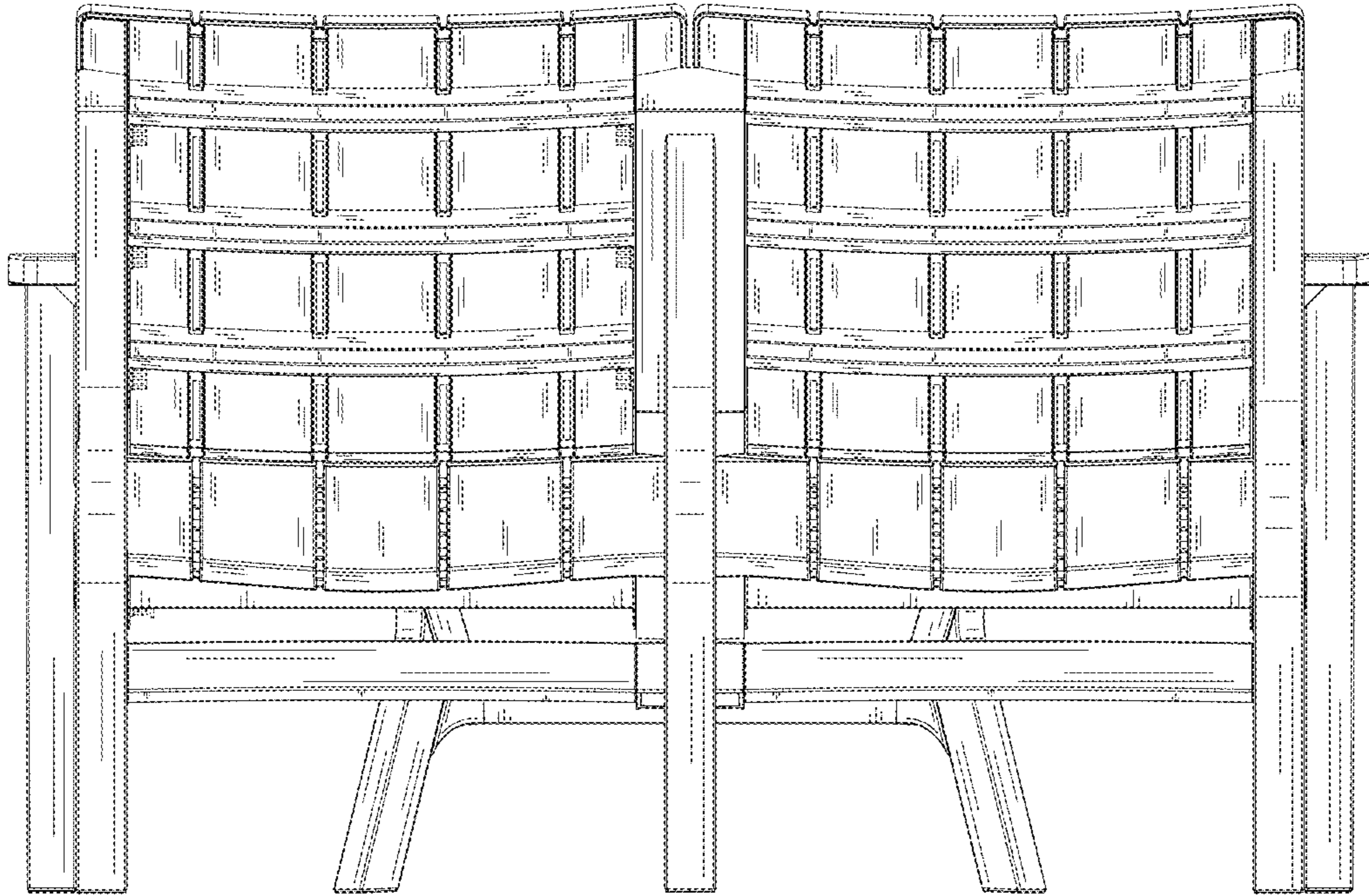


FIG. 3

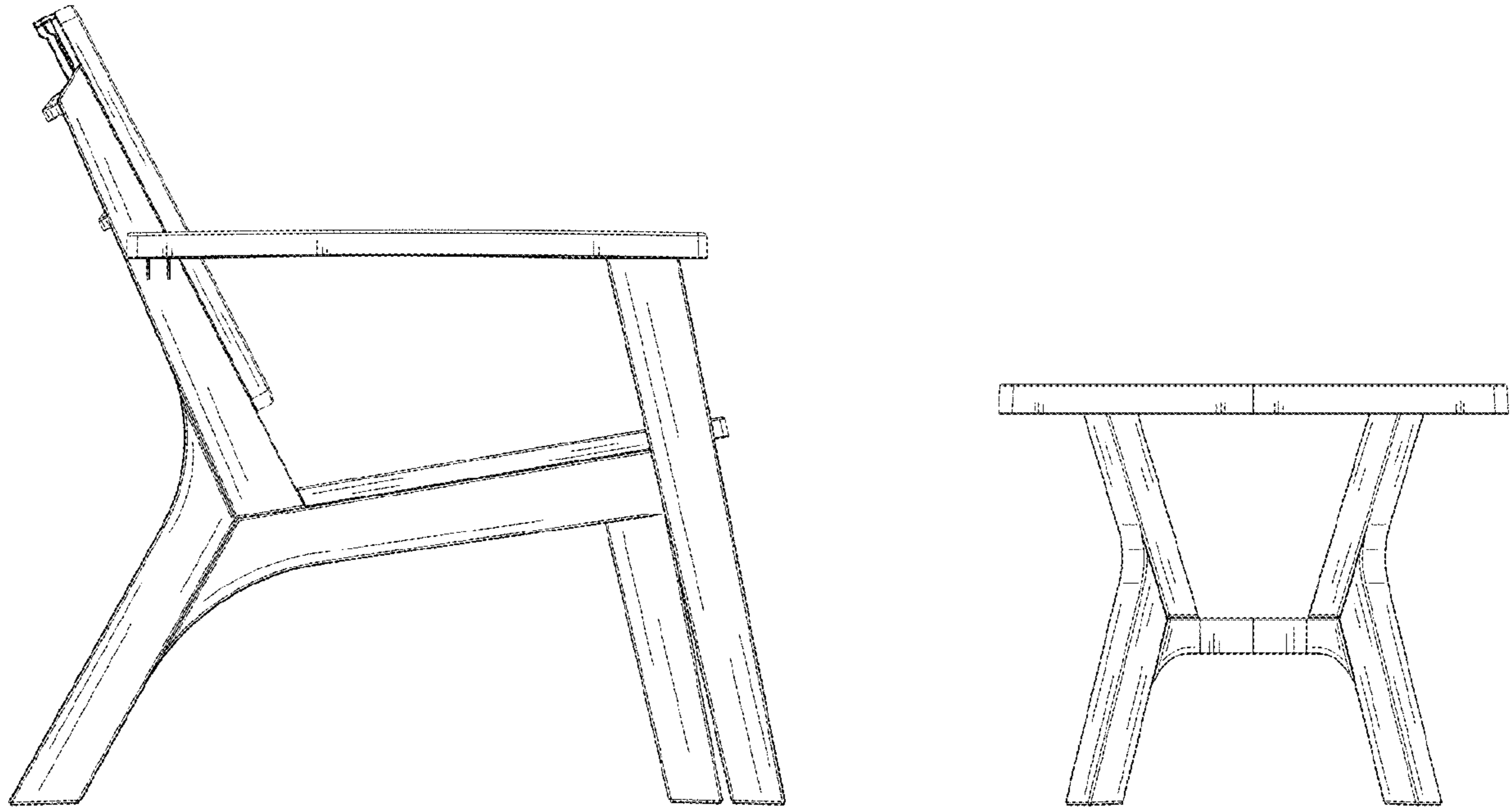


FIG. 4

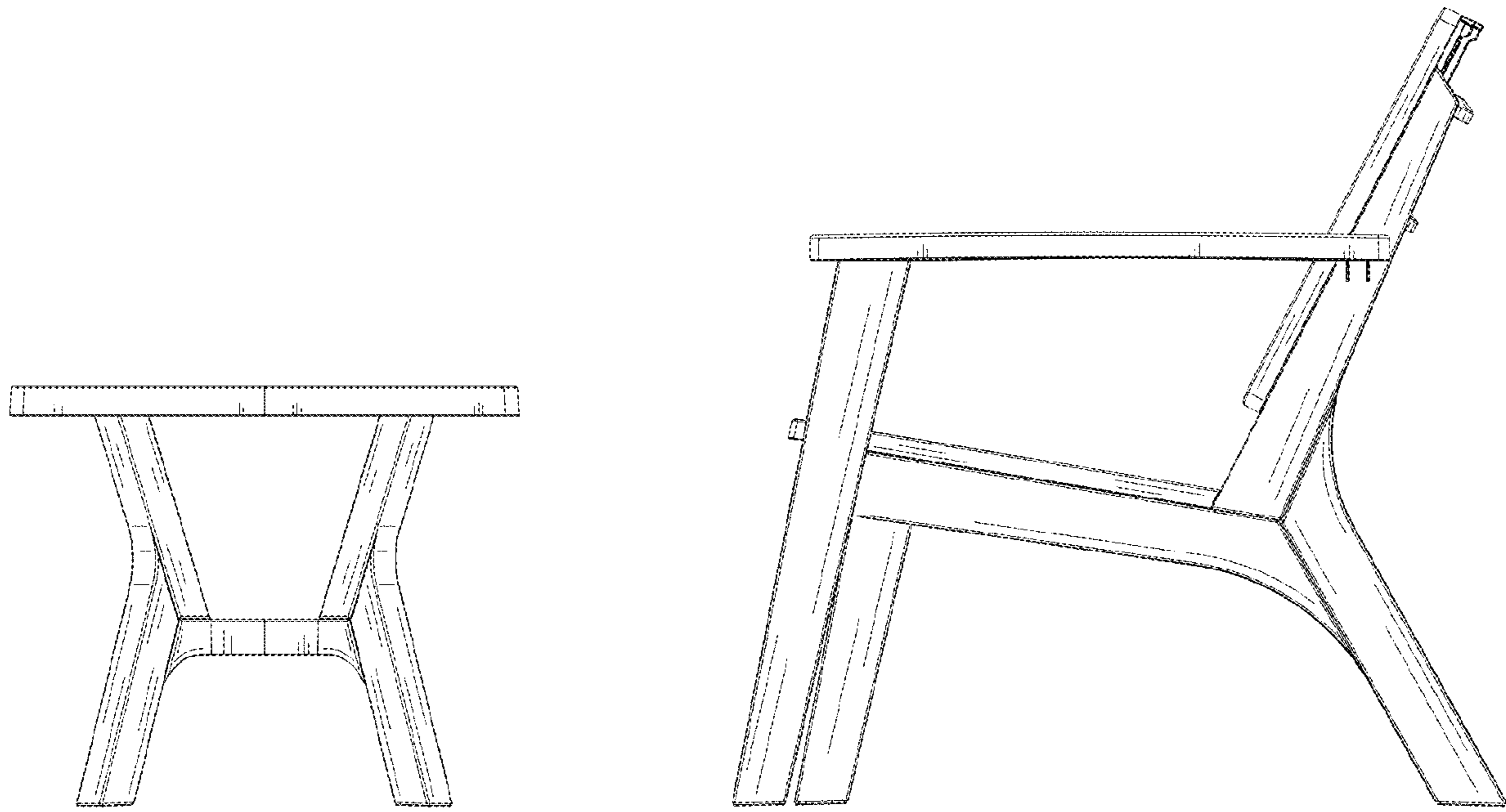


FIG. 5

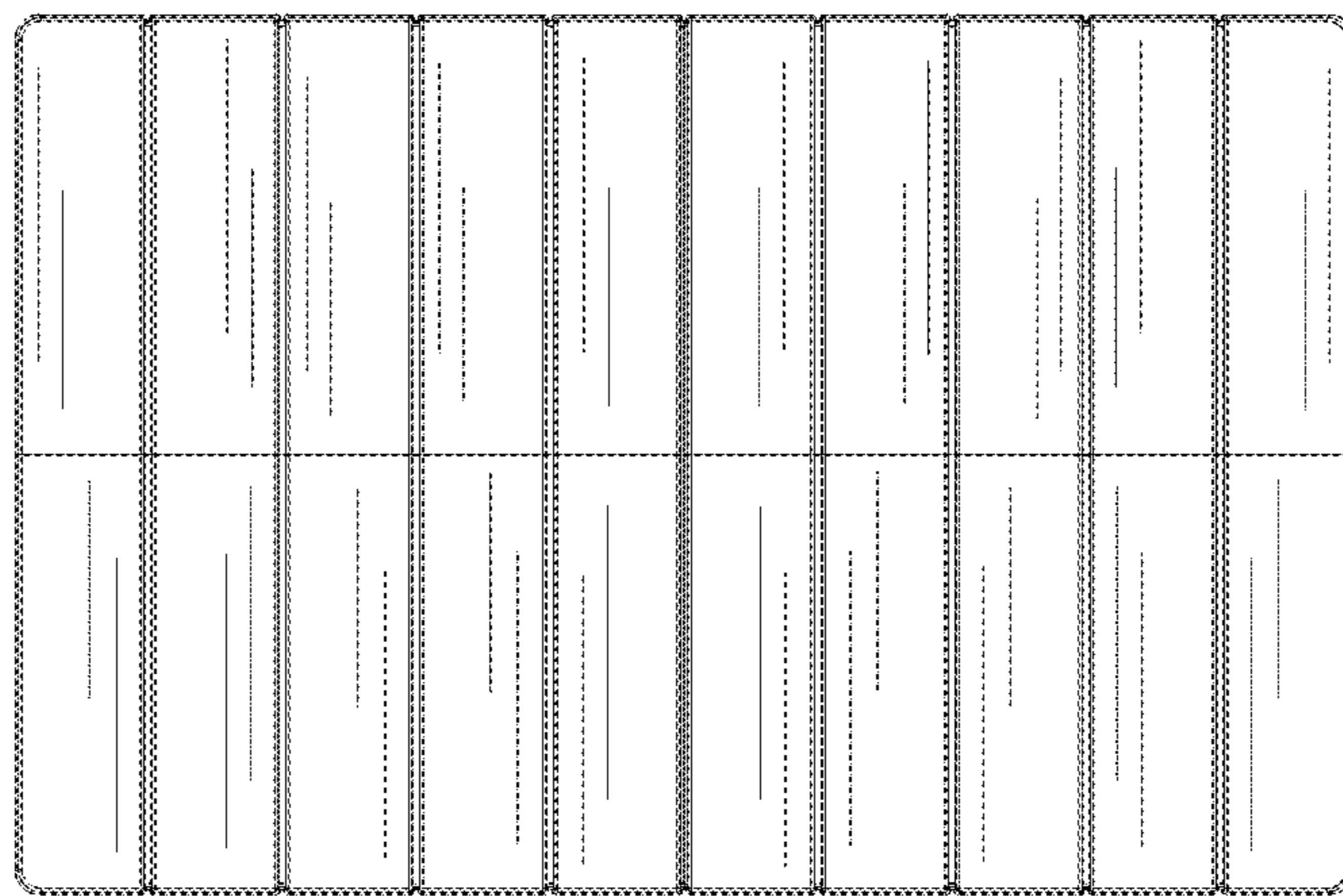
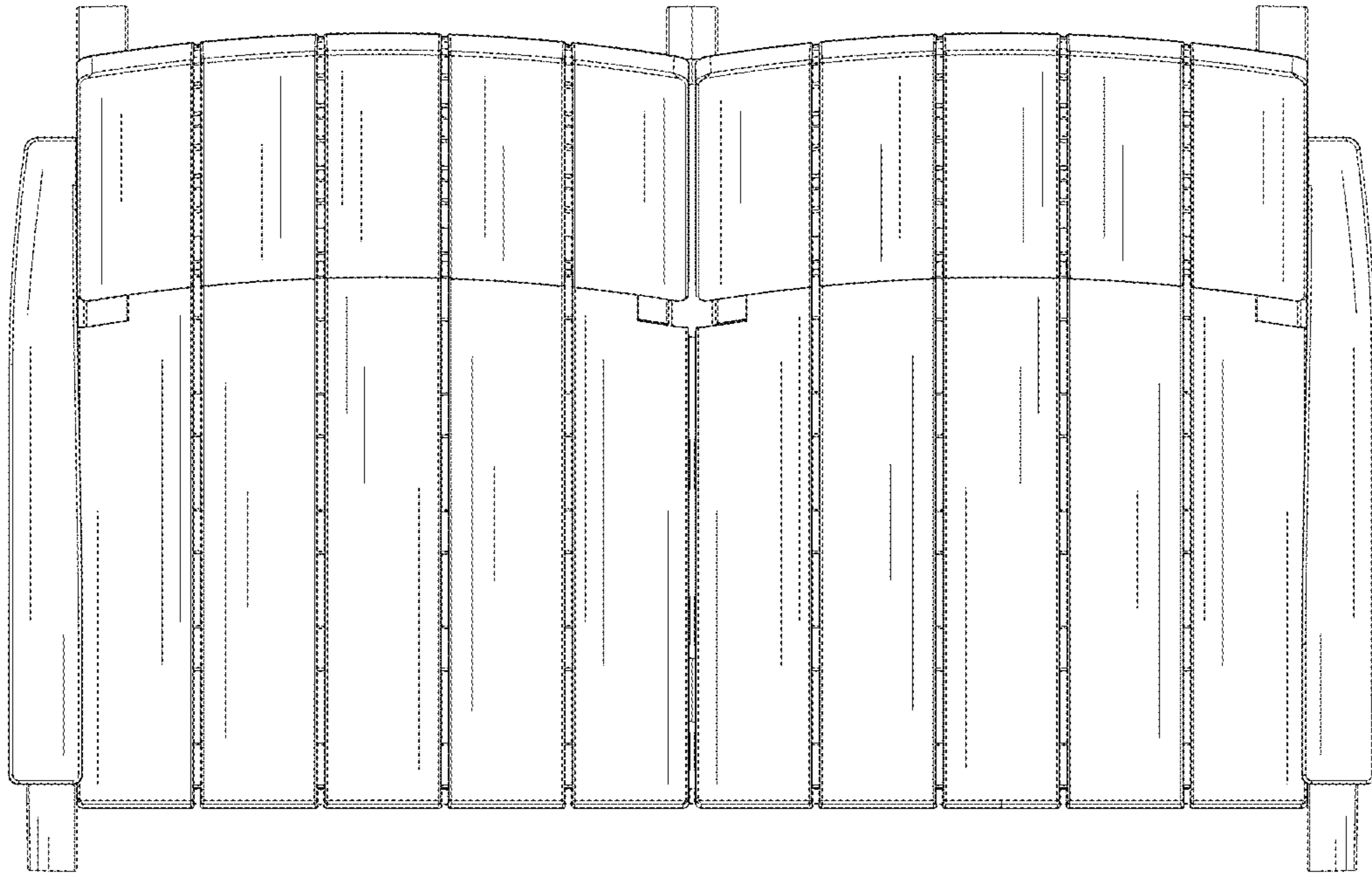


FIG. 6





FIG. 7

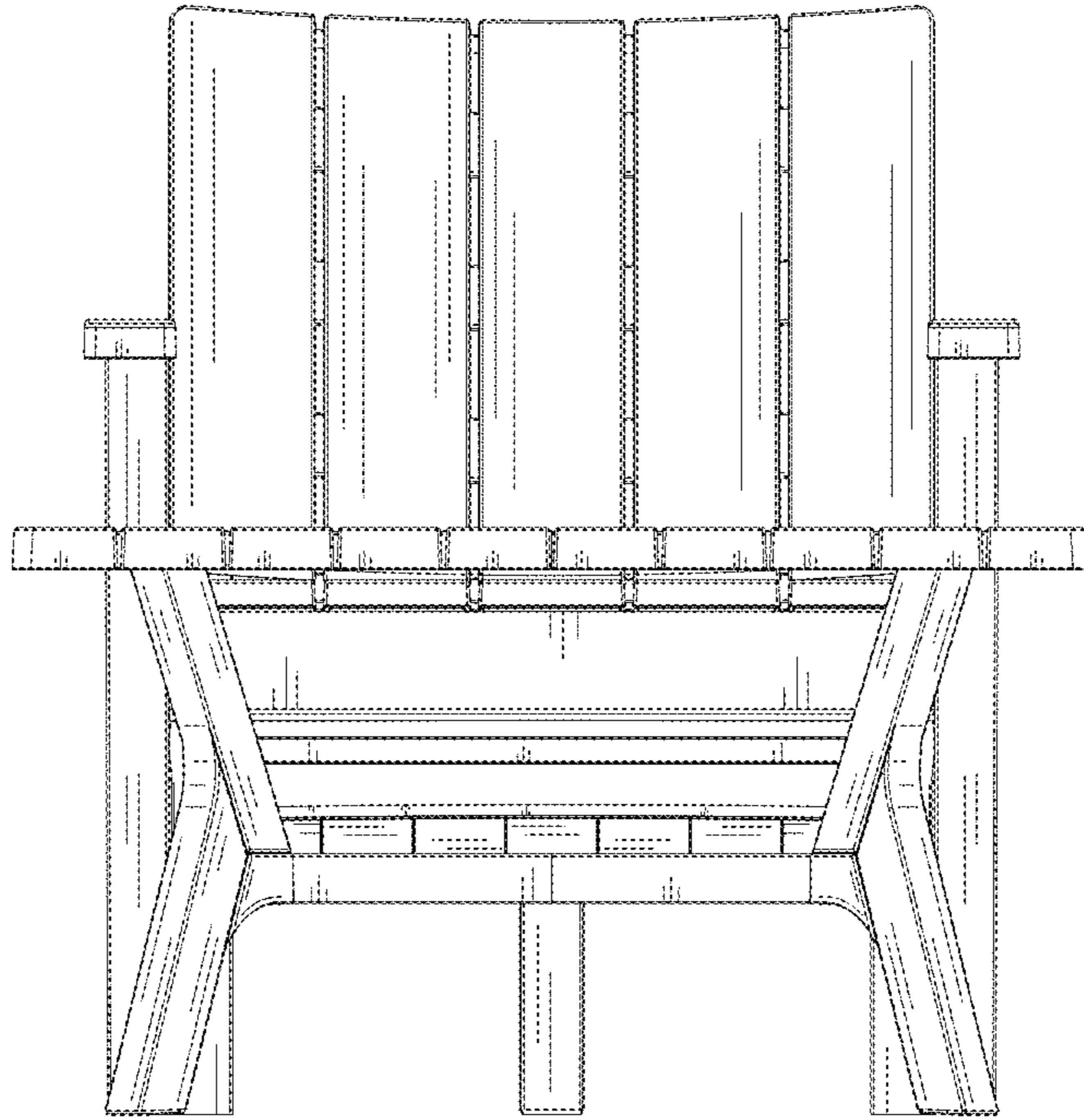


FIG. 8

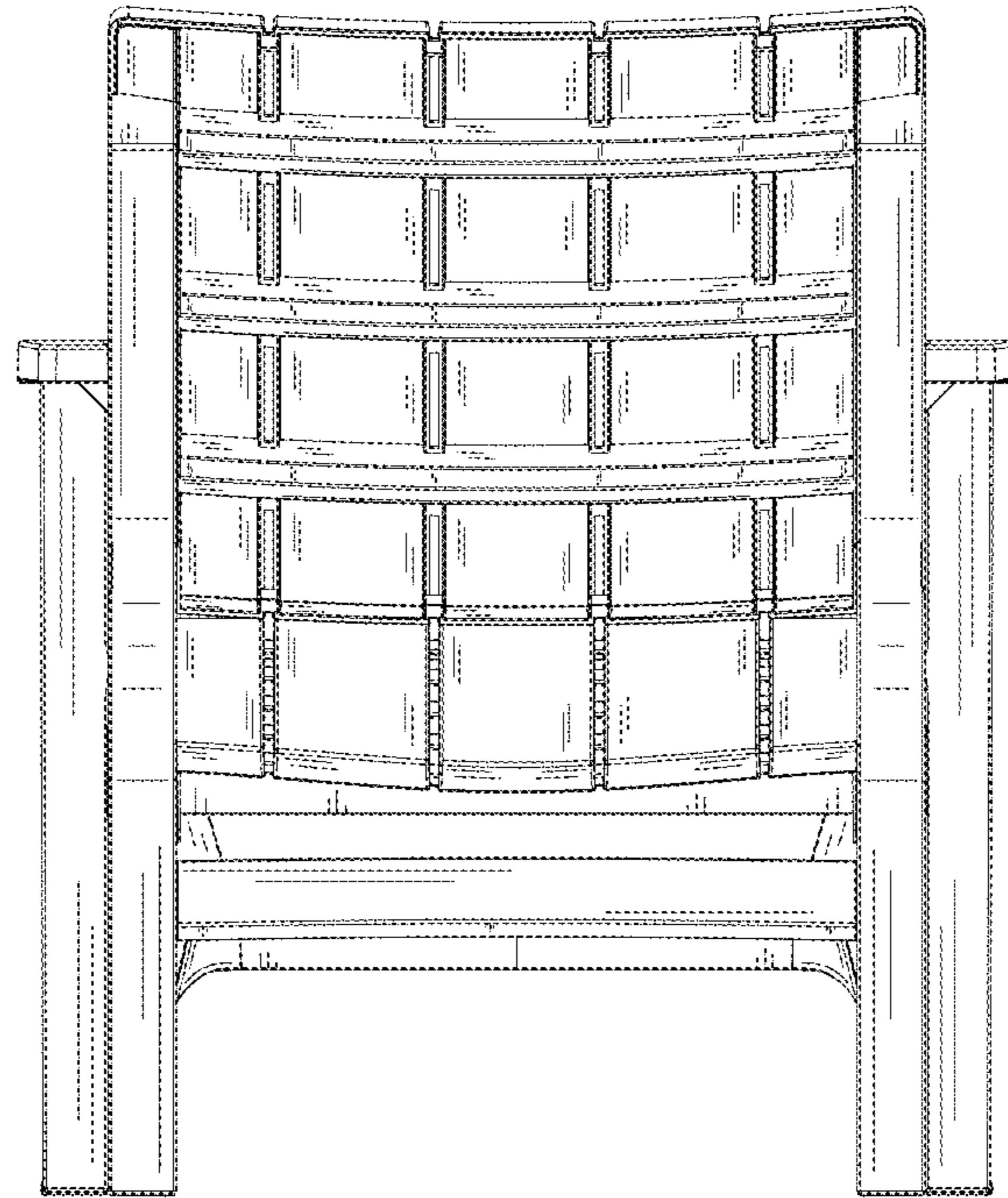


FIG. 9

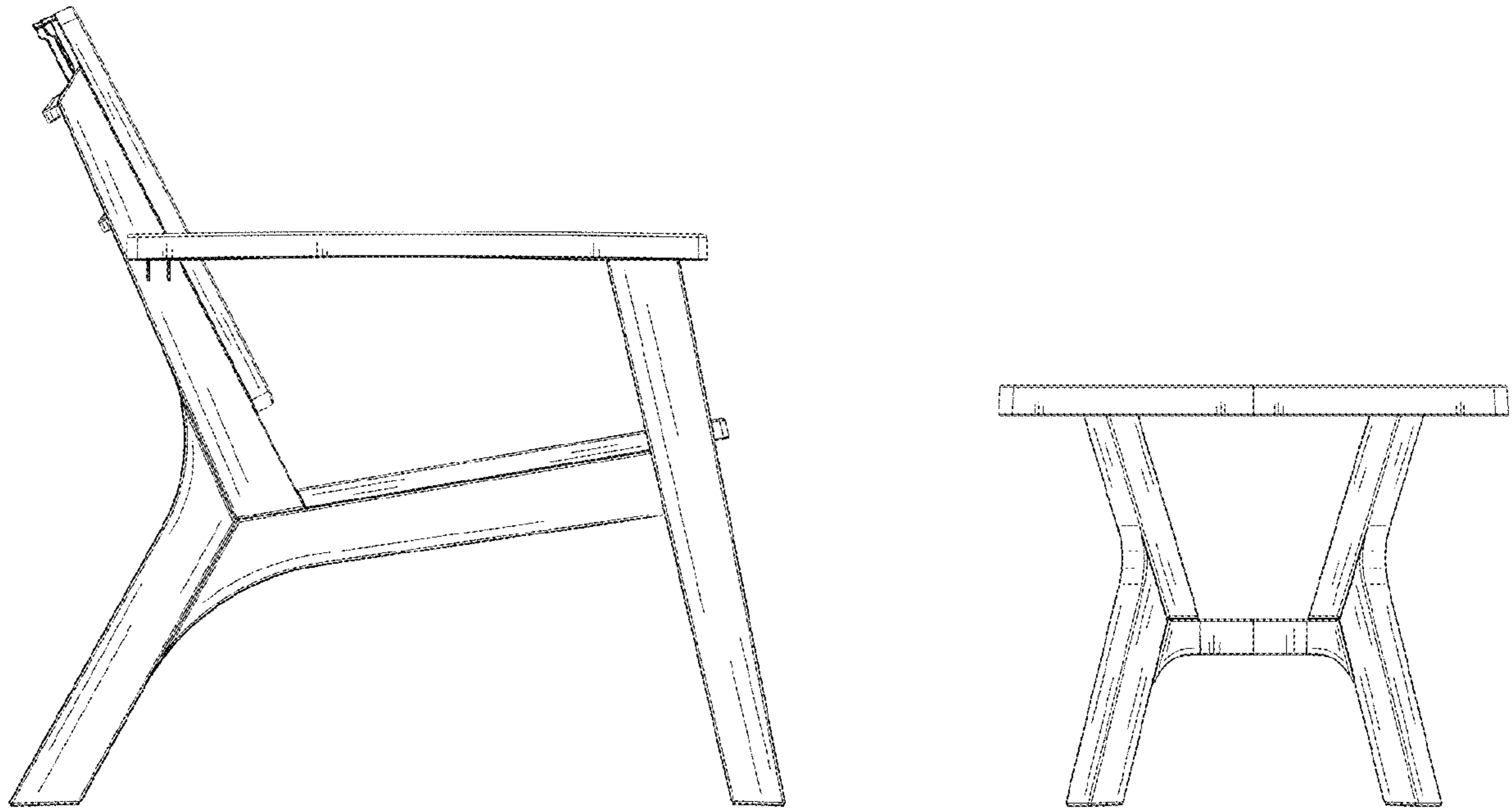


FIG. 10

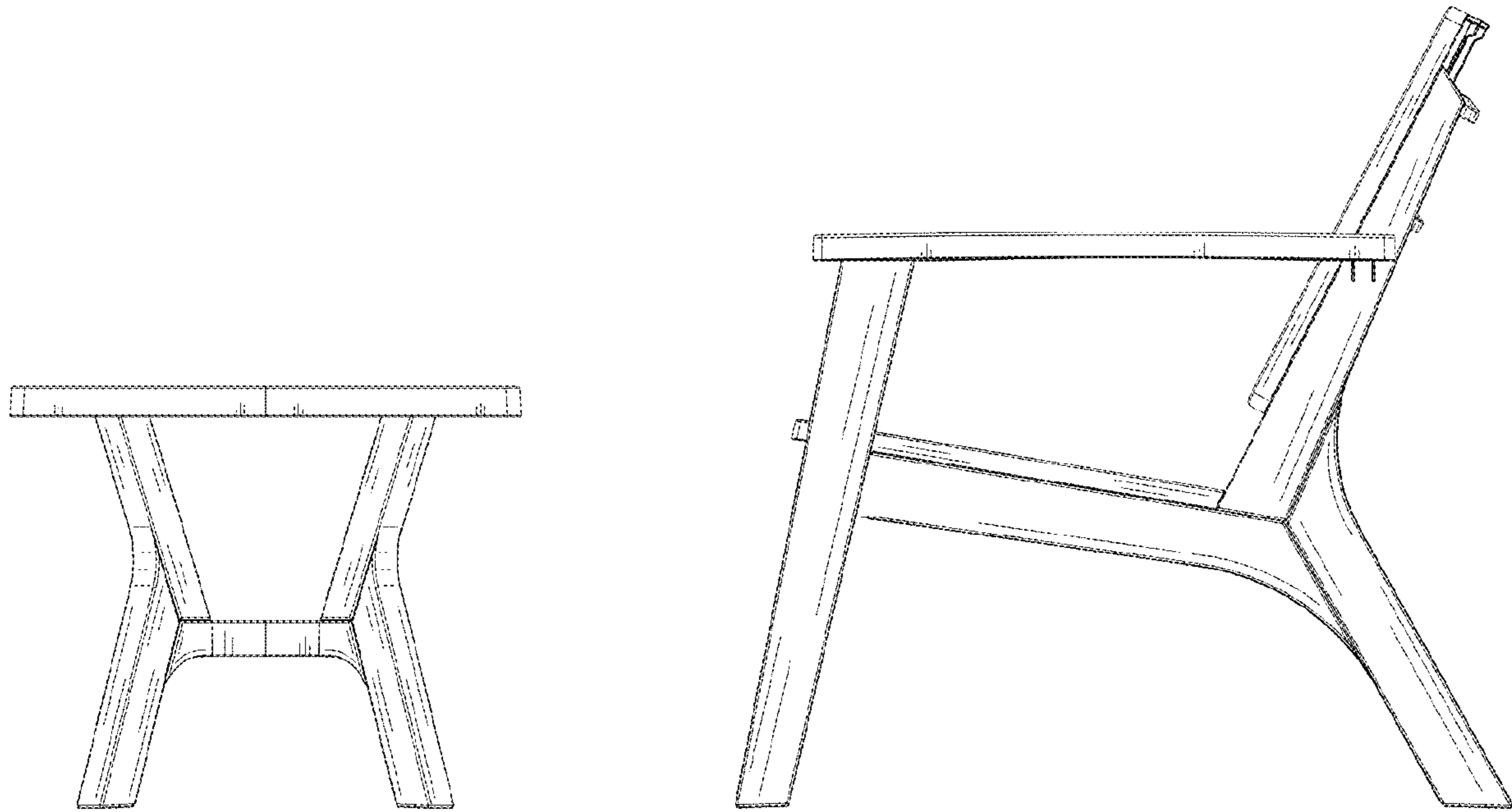


FIG. 11

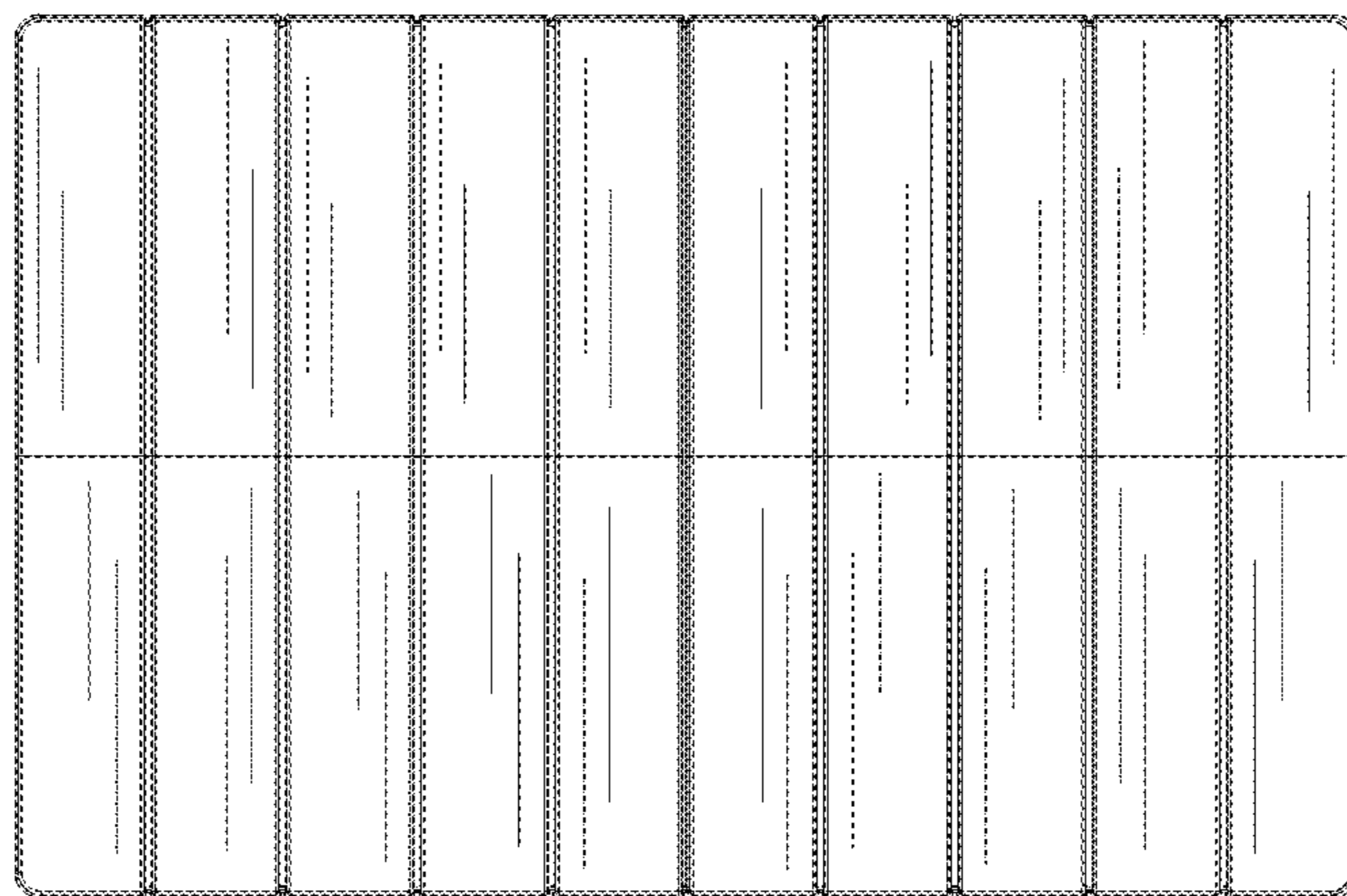
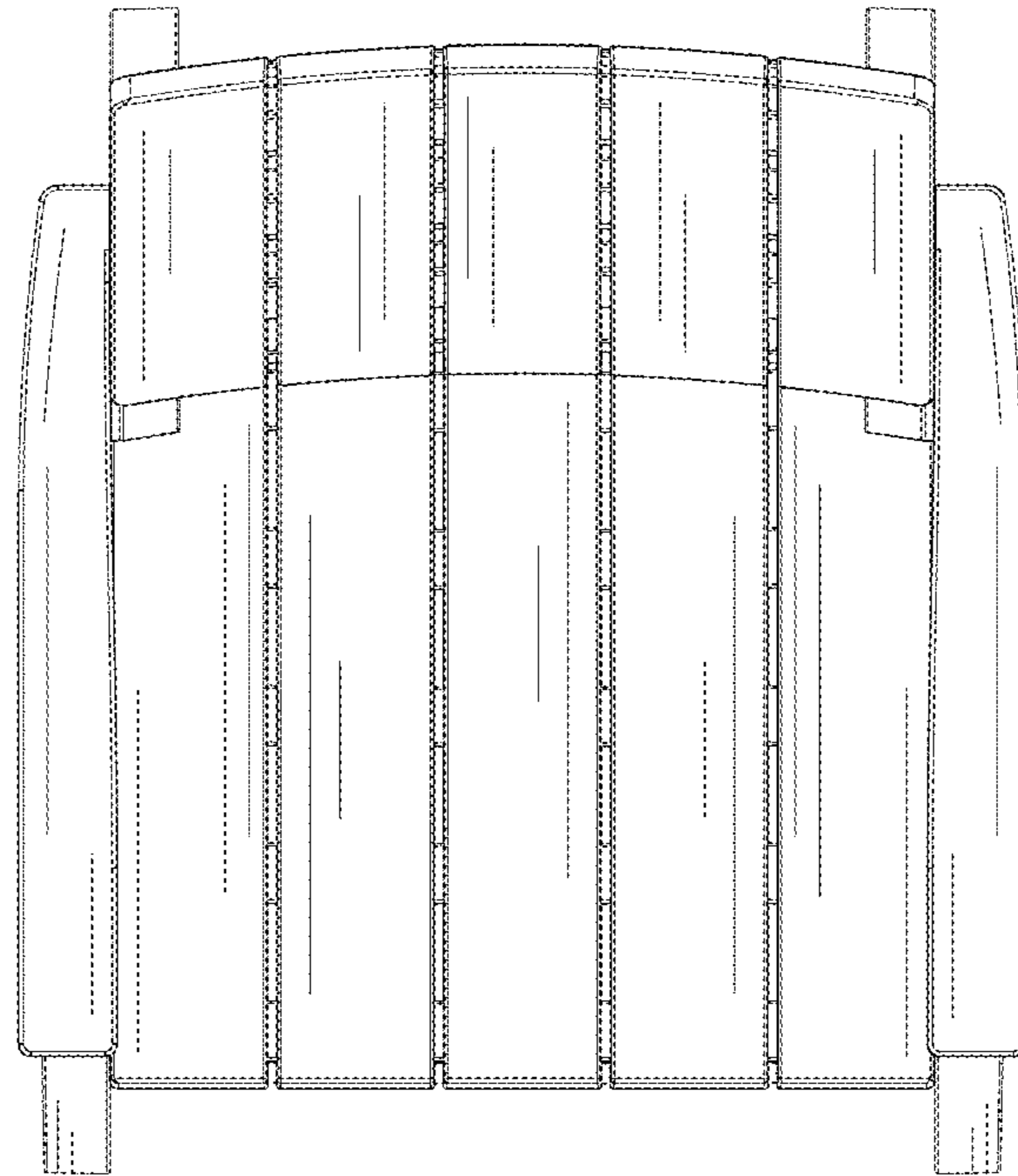


FIG. 12