



US00D970909S

(12) **United States Design Patent**  
**Scherer**

(10) **Patent No.:** **US D970,909 S**

(45) **Date of Patent:** **\*\* Nov. 29, 2022**

(54) **ROOM DIVIDER**

(71) Applicant: **Premium Home Decor LLC**, Maynard, MA (US)

(72) Inventor: **Matthew L. Scherer**, Maynard, MA (US)

(73) Assignee: **Premium Home Decor LLC**, Maynard, MA (US)

(\*\*) Term: **15 Years**

(21) Appl. No.: **29/864,582**

(22) Filed: **Jun. 6, 2022**

**Related U.S. Application Data**

(62) Division of application No. 29/730,567, filed on Apr. 6, 2020.

(51) **LOC (13) Cl.** ..... **06-06**

(52) **U.S. Cl.**  
USPC ..... **D6/332**

(58) **Field of Classification Search**

USPC ..... D6/332  
CPC ..... E04B 2002/7483; E04B 2002/7498; E04B 2/76; E04B 2/7401; E04B 2/7416; E04B 2/72; E04B 2/7429; E04B 2/7431; E04B 2/7442; E04B 2/74; A47B 2200/12; A47B 17/00; E04C 2/54; E04C 2/422

See application file for complete search history.

(56) **References Cited**

**U.S. PATENT DOCUMENTS**

D191,905 S 12/1961 Haywood  
4,638,614 A \* 1/1987 Wilcox ..... E04B 2/7416  
52/36.5  
D323,944 S 2/1992 Maas  
D330,646 S 11/1992 Maas  
D345,018 S 3/1994 Maas  
5,771,954 A \* 6/1998 Benner ..... A47G 5/00  
52/239

D455,016 S 4/2002 Newhouse  
6,574,837 B2 \* 6/2003 Jantschek ..... E04B 2/7431  
292/DIG. 17  
6,598,649 B1 \* 7/2003 Moore ..... E04B 2/7431  
160/351  
D641,560 S 7/2011 Thompson  
(Continued)

**OTHER PUBLICATIONS**

Notice of Allowance, U.S. Appl. No. 29/730,567, titled, "Room Divider," dated Jun. 24, 2022.

(Continued)

*Primary Examiner* — Doris Clark

(74) *Attorney, Agent, or Firm* — Hamilton, Brook, Smith & Reynolds, P.C.

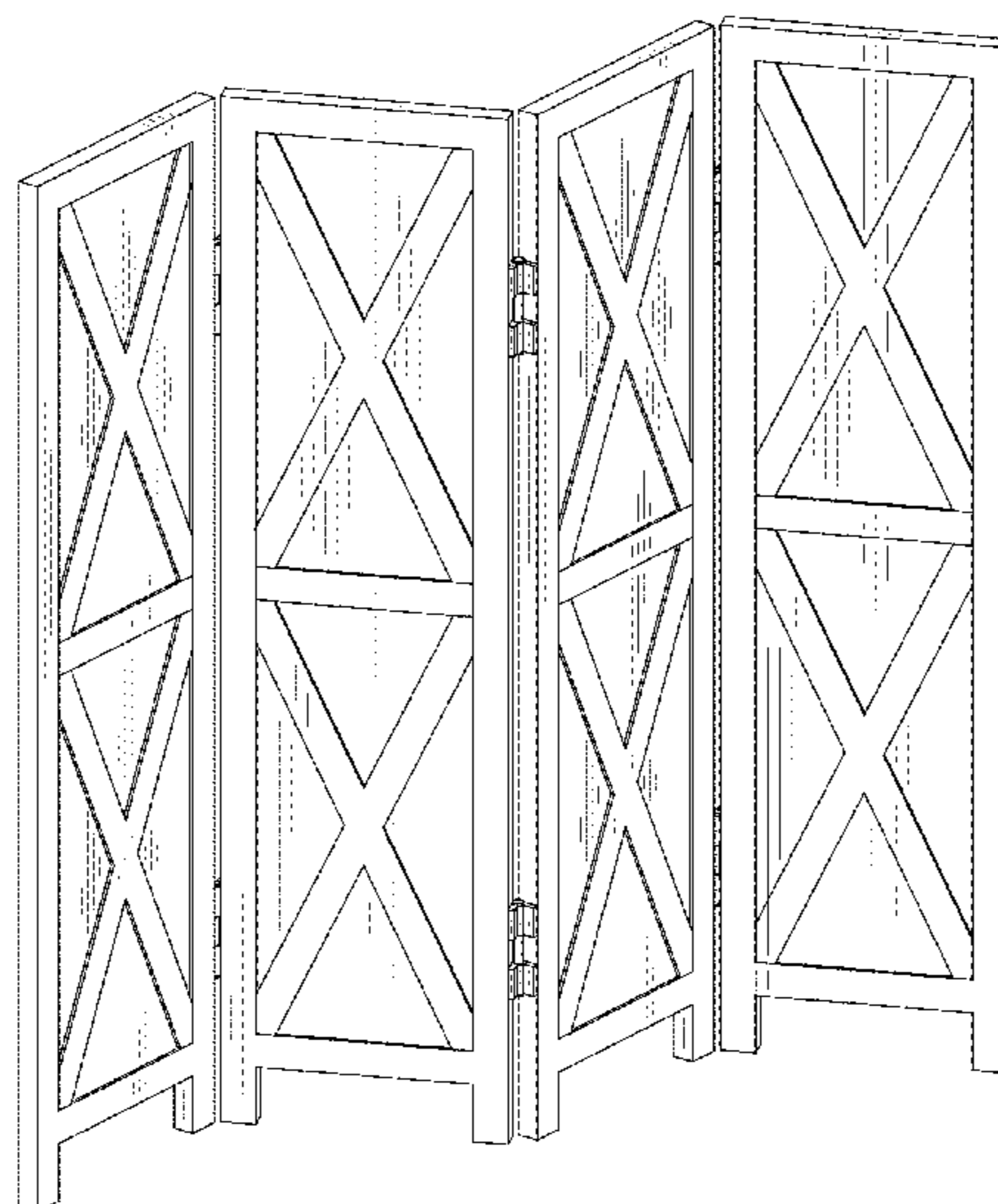
(57) **CLAIM**

I claim the ornamental designs for a room divider, as shown and described.

**DESCRIPTION**

FIG. 1 is a perspective view of a first embodiment of a room divider showing my new design.  
FIG. 2 is a front elevation view.  
FIG. 3 is a rear elevation view.  
FIG. 4 is a top plan view.  
FIG. 5 is a bottom plan view.  
FIG. 6 is a side view.  
FIG. 7 is the opposite side view.  
FIG. 8 is a perspective view of a second embodiment of a room divider showing my new design.  
FIG. 9 is a front elevation view.  
FIG. 10 is a rear elevation view.  
FIG. 11 is a top plan view.  
FIG. 12 is a bottom plan view.  
FIG. 13 is a side view; and,  
FIG. 14 is the opposite side view.

**1 Claim, 14 Drawing Sheets**



(56)

**References Cited**

U.S. PATENT DOCUMENTS

D648,549 S \* 11/2011 Pili ..... E04B 2/7431  
D6/332  
D669,693 S \* 10/2012 Goranson ..... E04B 2/7431  
D6/332  
9,169,640 B2 \* 10/2015 Jeffers ..... E04B 2/7422  
D963,352 S 9/2022 Scherer

OTHER PUBLICATIONS

Requirement for Restriction Election, U.S. Appl. No. 29/730,567,  
titled, "Room Divider," dated May 24, 2022.

\* cited by examiner

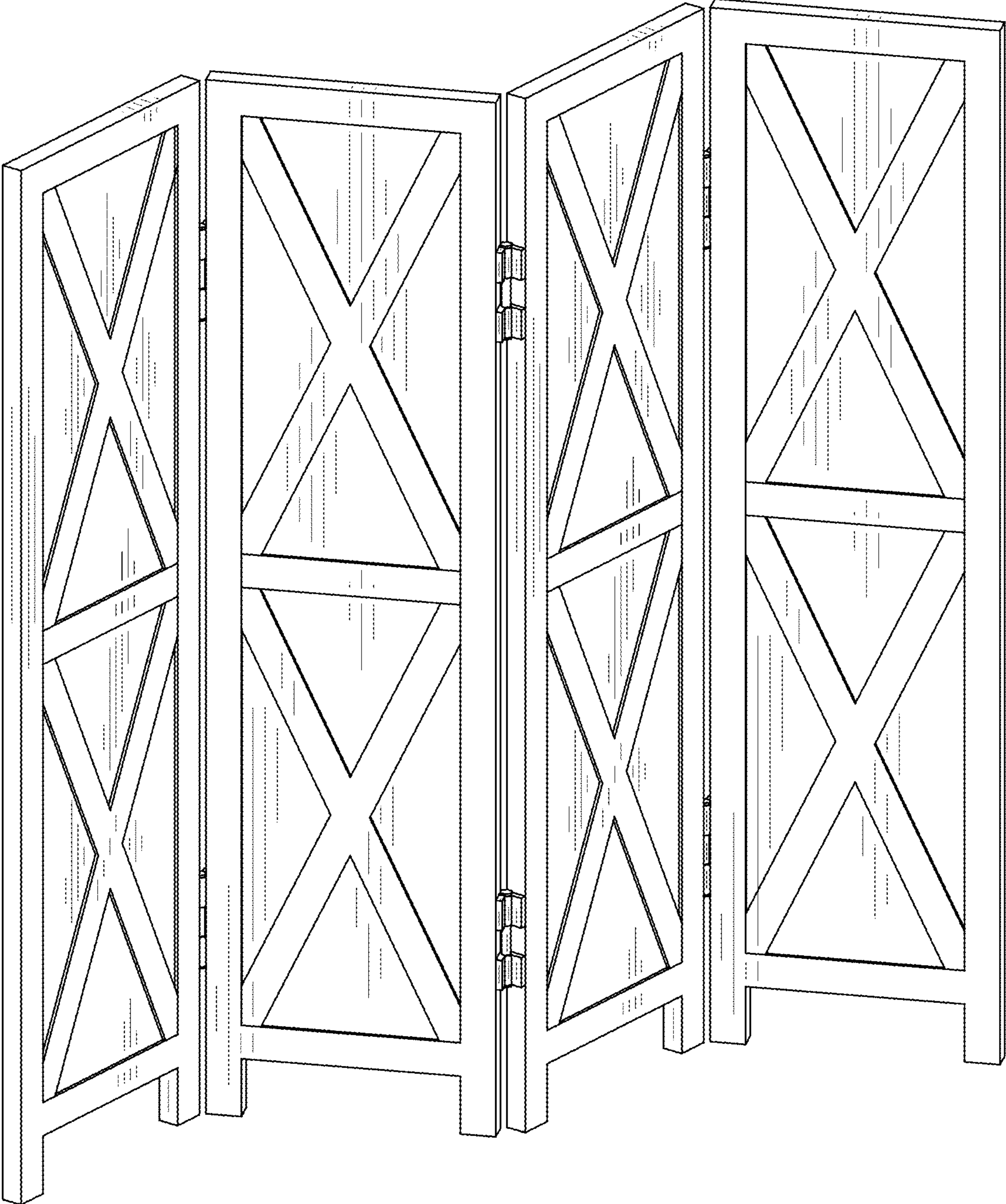


FIG. 1

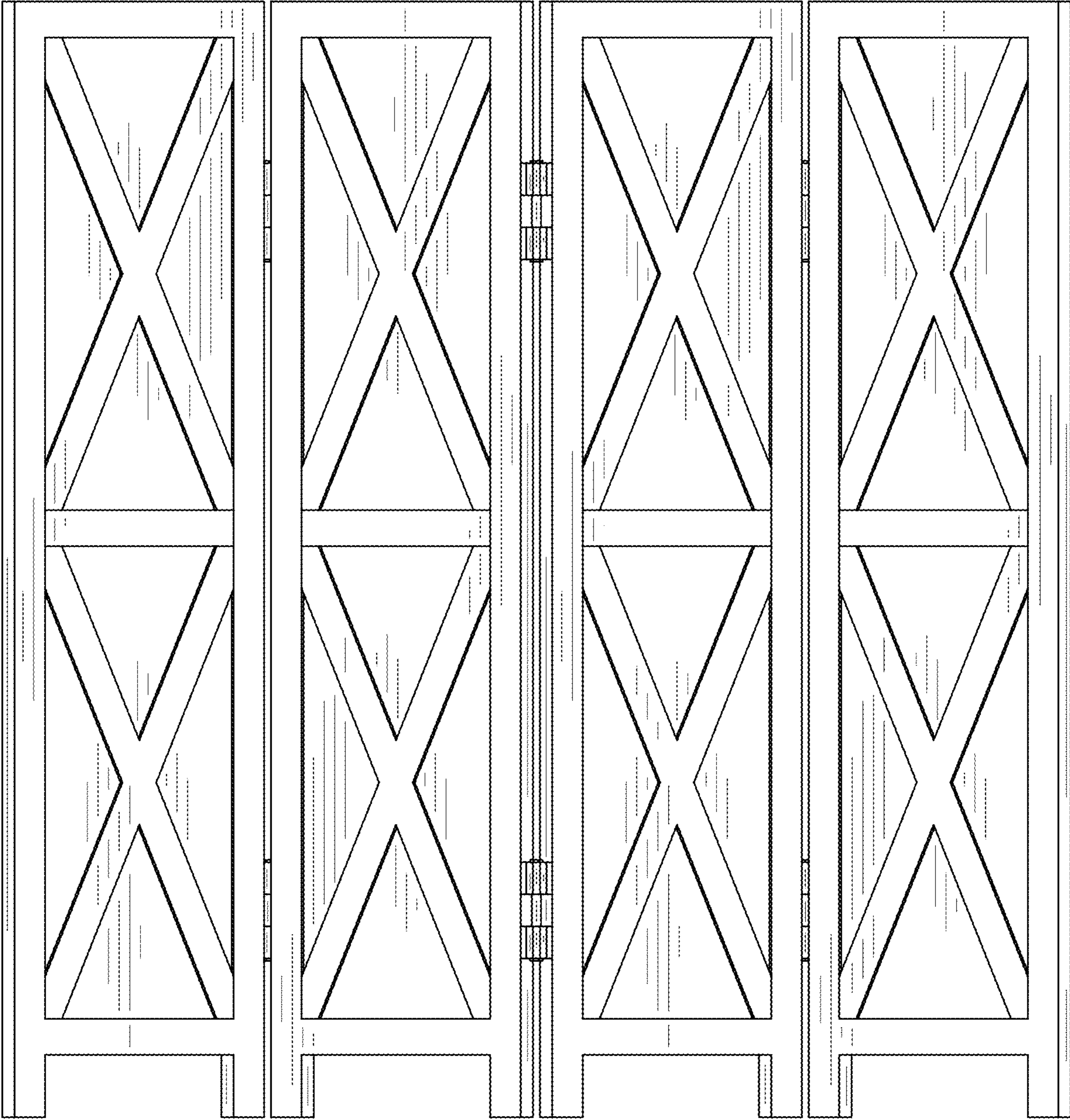


FIG. 2

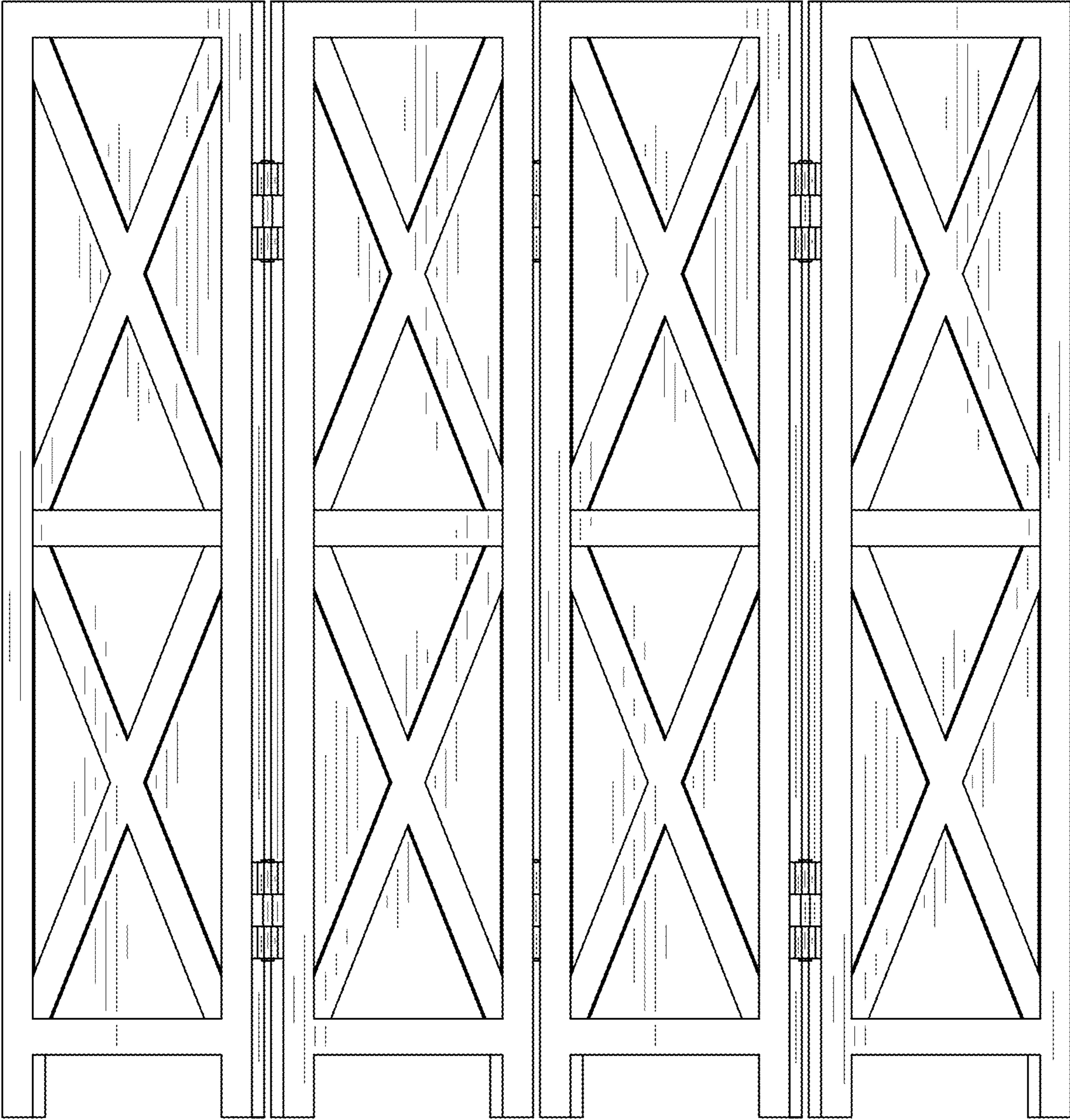


FIG. 3

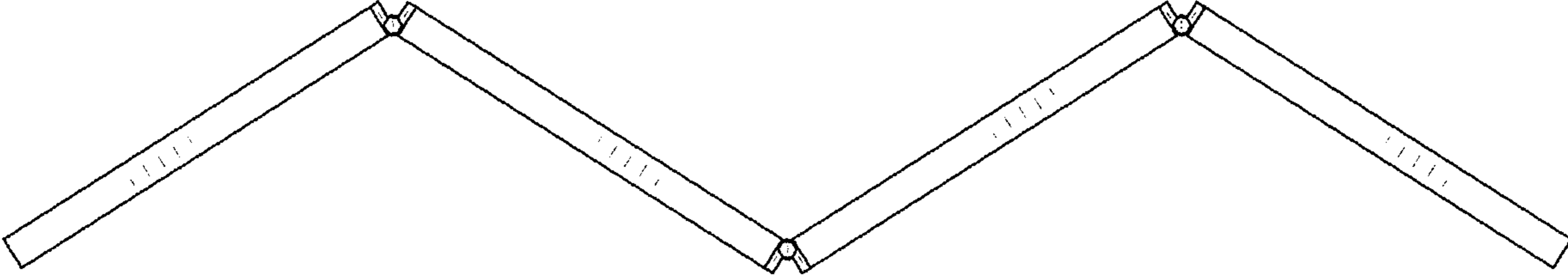


FIG. 4

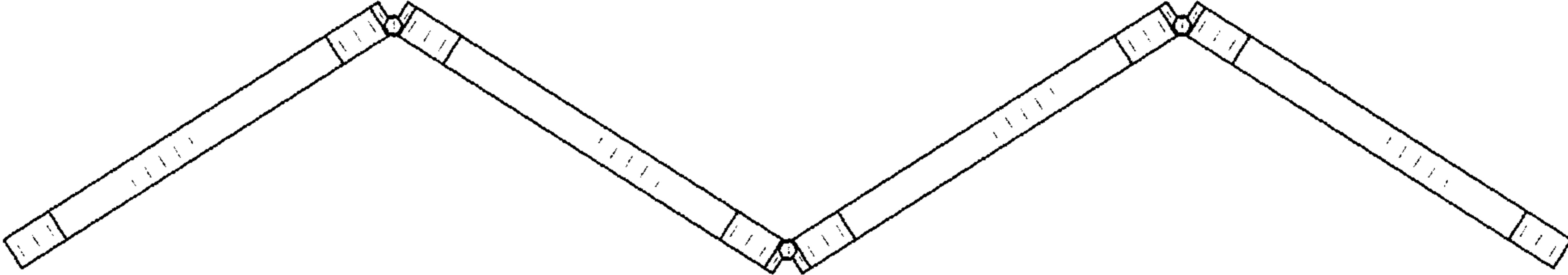


FIG. 5

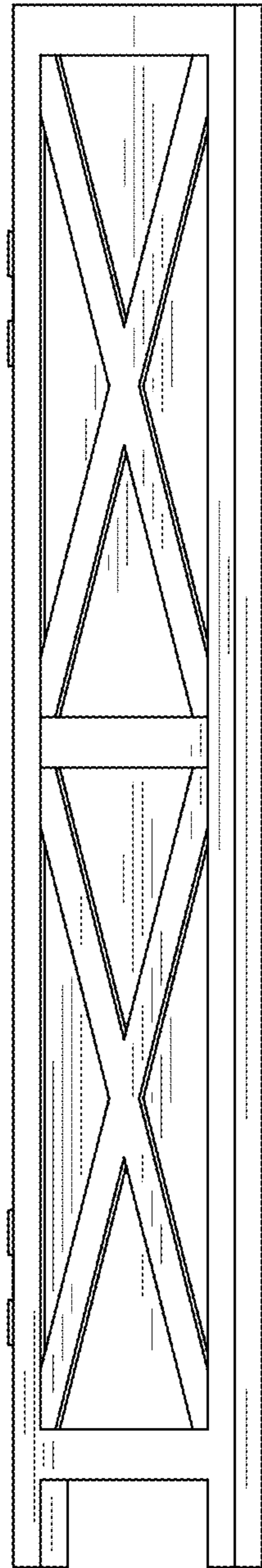


FIG. 6



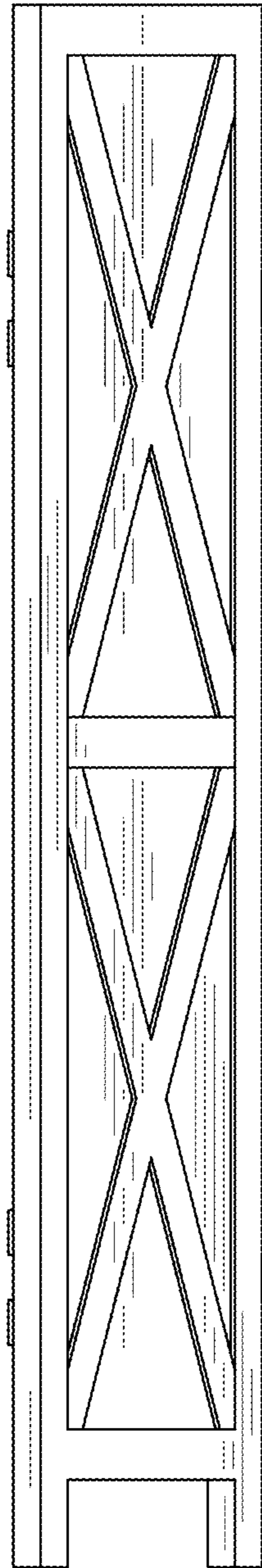


FIG. 7

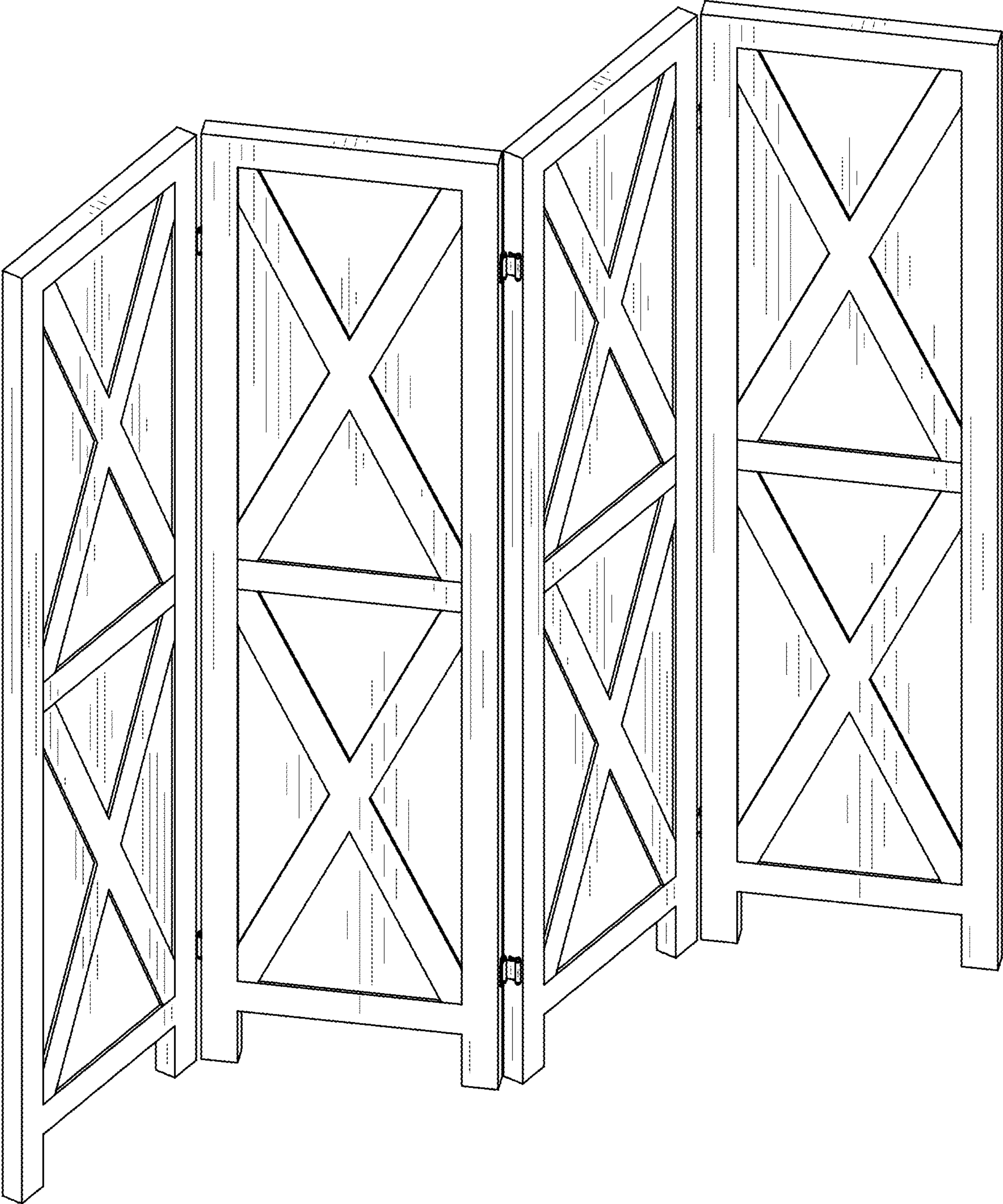


FIG. 8

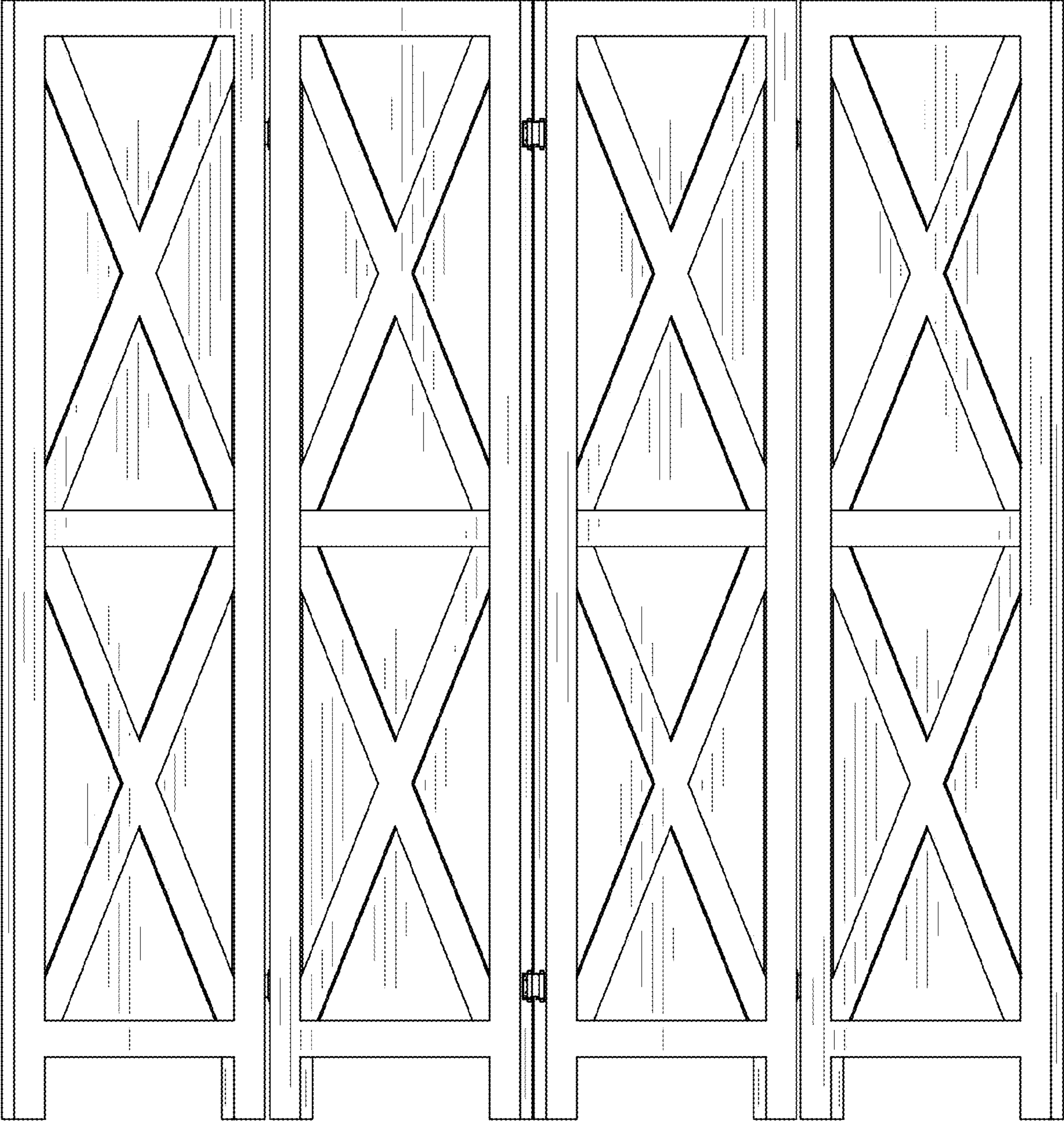


FIG. 9

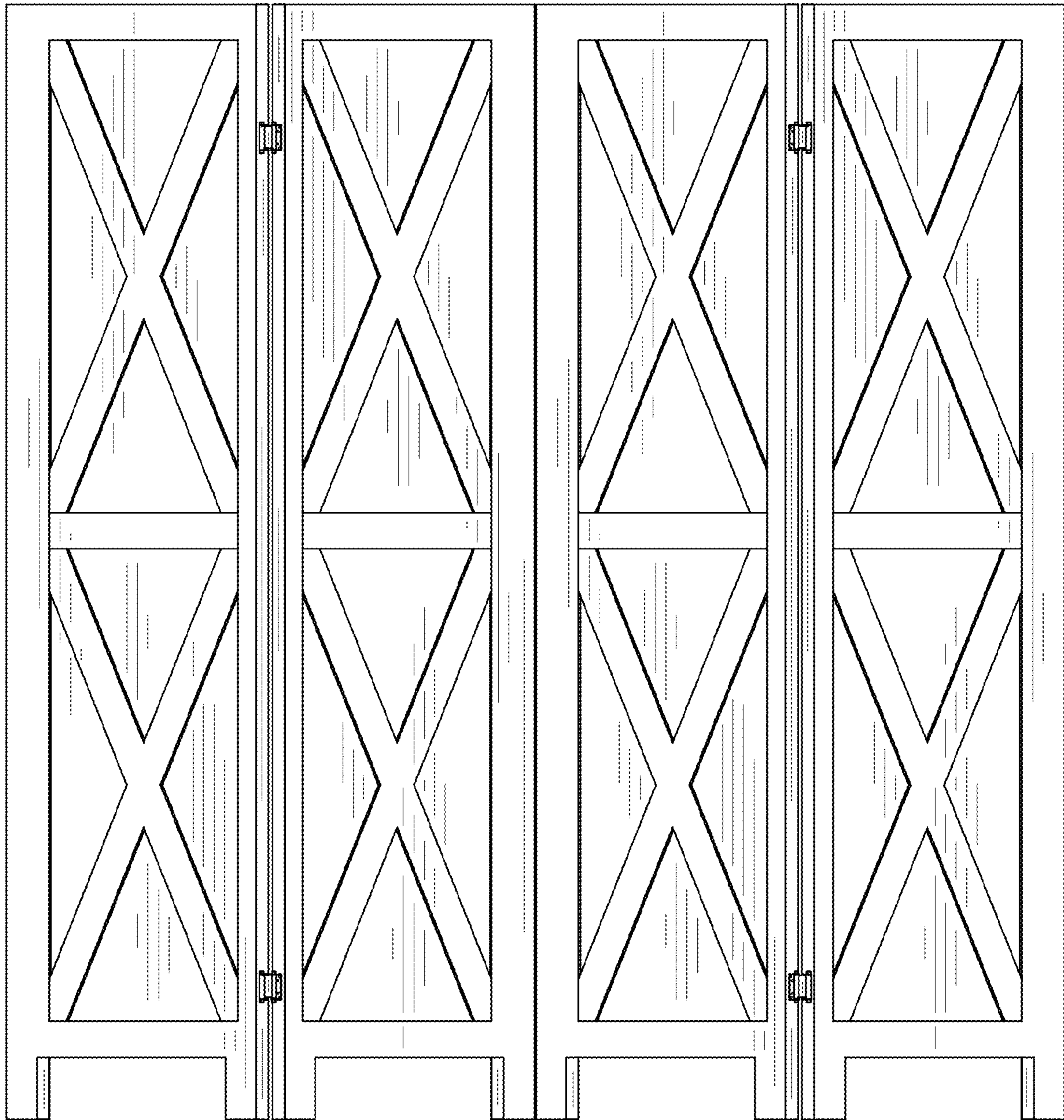


FIG. 10

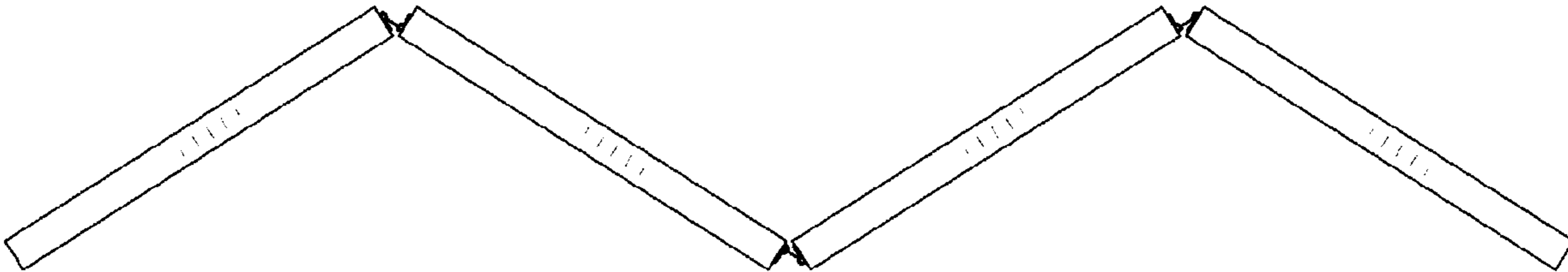


FIG. 11

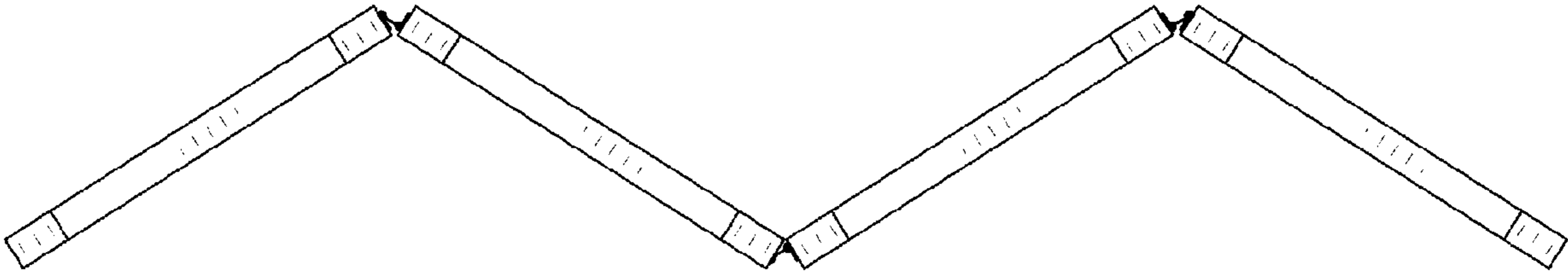


FIG. 12

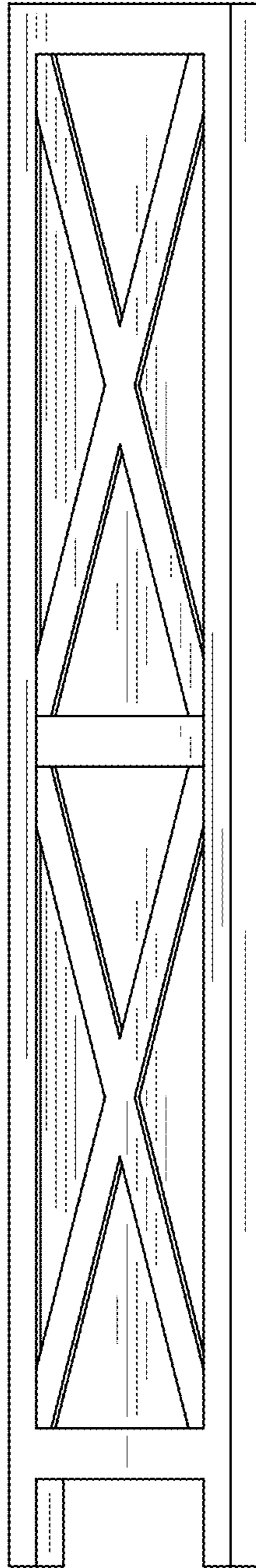


FIG. 13

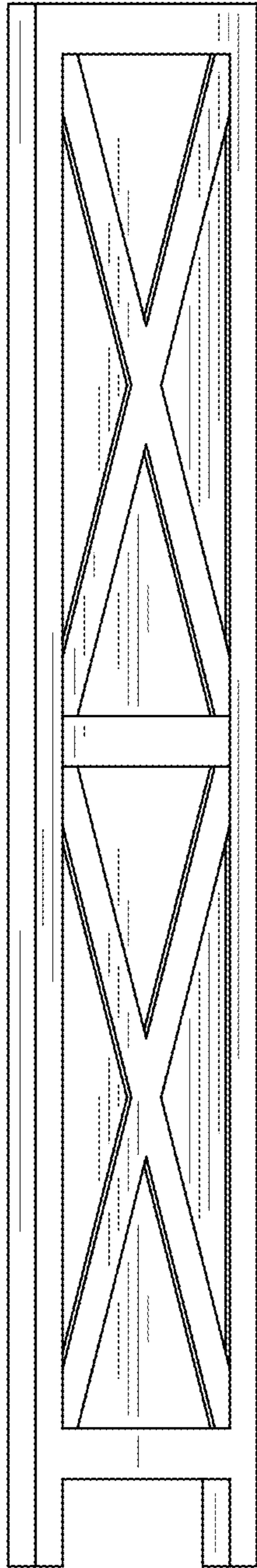


FIG. 14