



US00D970907S

(12) **United States Design Patent**  
**Zhi**

(10) **Patent No.:** **US D970,907 S**

(45) **Date of Patent:** **\*\* Nov. 29, 2022**

(54) **COAT HOOK BASE**

(71) Applicant: **Xucan Zhi**, Guangdong (CN)

(72) Inventor: **Xucan Zhi**, Guangdong (CN)

(\*\*) Term: **15 Years**

(21) Appl. No.: **29/814,355**

(22) Filed: **Nov. 5, 2021**

(51) **LOC (13) Cl.** ..... **06-08**

(52) **U.S. Cl.**  
USPC ..... **D6/323**

(58) **Field of Classification Search**  
USPC ..... D6/315, 317-320, 323, 326, 328, 553,  
D6/672; D8/367, 372, 373, 380  
CPC ..... A47G 1/00; A47G 25/00; A47G 25/06;  
A47G 25/10; A47G 25/28; A47G 25/30;  
A47G 25/32; A47G 25/68  
See application file for complete search history.

(56) **References Cited**

**U.S. PATENT DOCUMENTS**

D59,456 S *	10/1921	Cole	.....	D6/320
D291,154 S *	8/1987	Owen	.....	D6/323
D473,455 S *	4/2003	Goodman	.....	D8/372
D494,048 S *	8/2004	Goodman	.....	D8/372
D559,089 S *	1/2008	Goodman	.....	D8/372
D706,614 S *	6/2014	Schraufnagel	.....	D8/372
D751,372 S *	3/2016	Thompson	.....	D8/372
D802,325 S *	11/2017	Holguin	.....	D8/372
10,258,180 B2 *	4/2019	Malott	.....	F16B 45/00
D913,708 S *	3/2021	Theroux	.....	D6/567
D955,137 S *	6/2022	Worden, IV	.....	D6/569

**OTHER PUBLICATIONS**

Design #008706527-0007, App. Date Sep. 27, 2021, Country code EU, Publication date Sep. 30, 2021, Owner name Xucan Zhi, Creator Xucan Zhi. (Year: 2021).\*

Wooden wall mounted folding rack, available in amazon.com, date first available Aug. 13, 2019, site visited Jul. 20, 2022 URL:https://www.amazon.com/Mounted-Folding-Floating-Space-Saving-Scarves/dp/B07WFDX5B4?th=1 (Year: 2019).\*

\* cited by examiner

*Primary Examiner* — Joseph Kukella

*Assistant Examiner* — Mark David Wolfley

(74) *Attorney, Agent, or Firm* — True Shepherd, LLC; Andrew Cheng

(57) **CLAIM**

The ornamental design for a coat hook base, as shown and described.

**DESCRIPTION**

FIG. 1 is a front, right, top perspective view of a coat hook base, showing my design.

FIG. 2 is a rear, left, bottom perspective view thereof.

FIG. 3 is a front elevation view thereof.

FIG. 4 is a rear elevation view thereof.

FIG. 5 is a left side elevation view thereof.

FIG. 6 is a right side elevation view thereof.

FIG. 7 is a top plan view thereof.

FIG. 8 is a bottom plan view thereof.

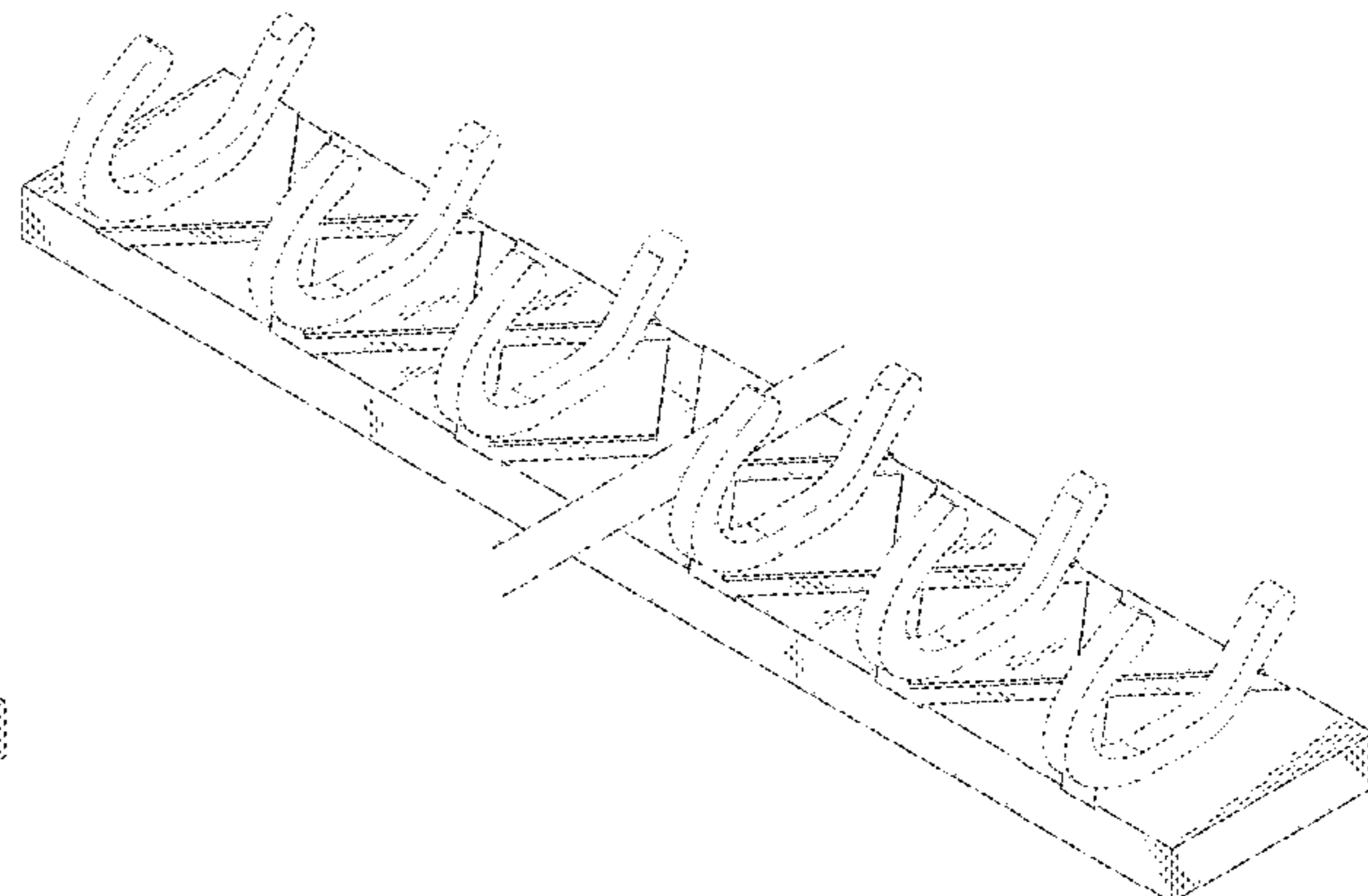
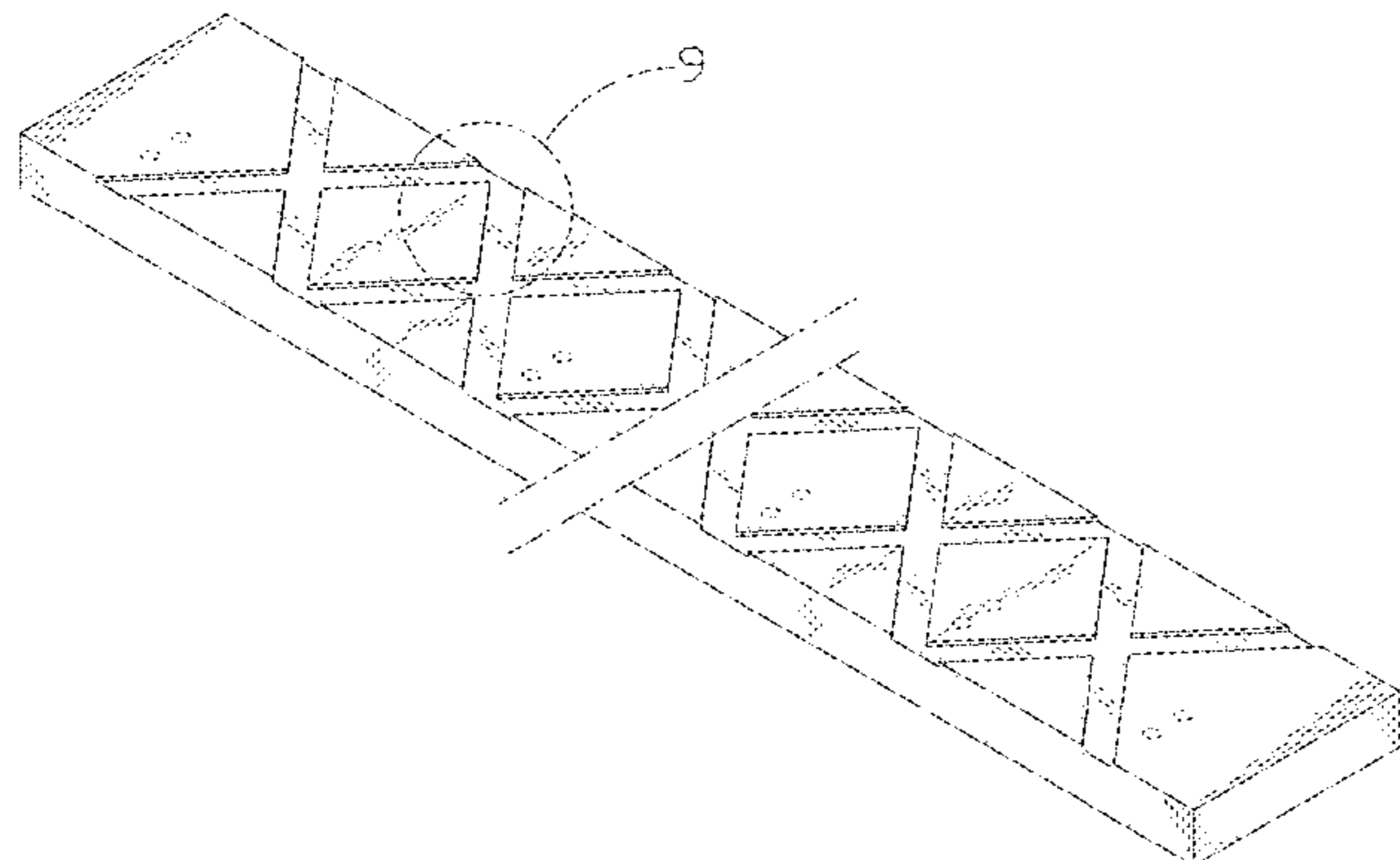
FIG. 9 is an enlarged detailed view of the encircled area labeled 9 in FIG. 1; and,

FIG. 10 is a front, right, top perspective view of the coat hook base shown in use.

The broken lines shown in the drawings are included for the purpose of illustrating portions of the coat hook base that form no part of the claimed design.

The coat hook base is shown with a symbolic break in its length, any portion of the article between the break lines forms no part of the claimed design.

**1 Claim, 10 Drawing Sheets**



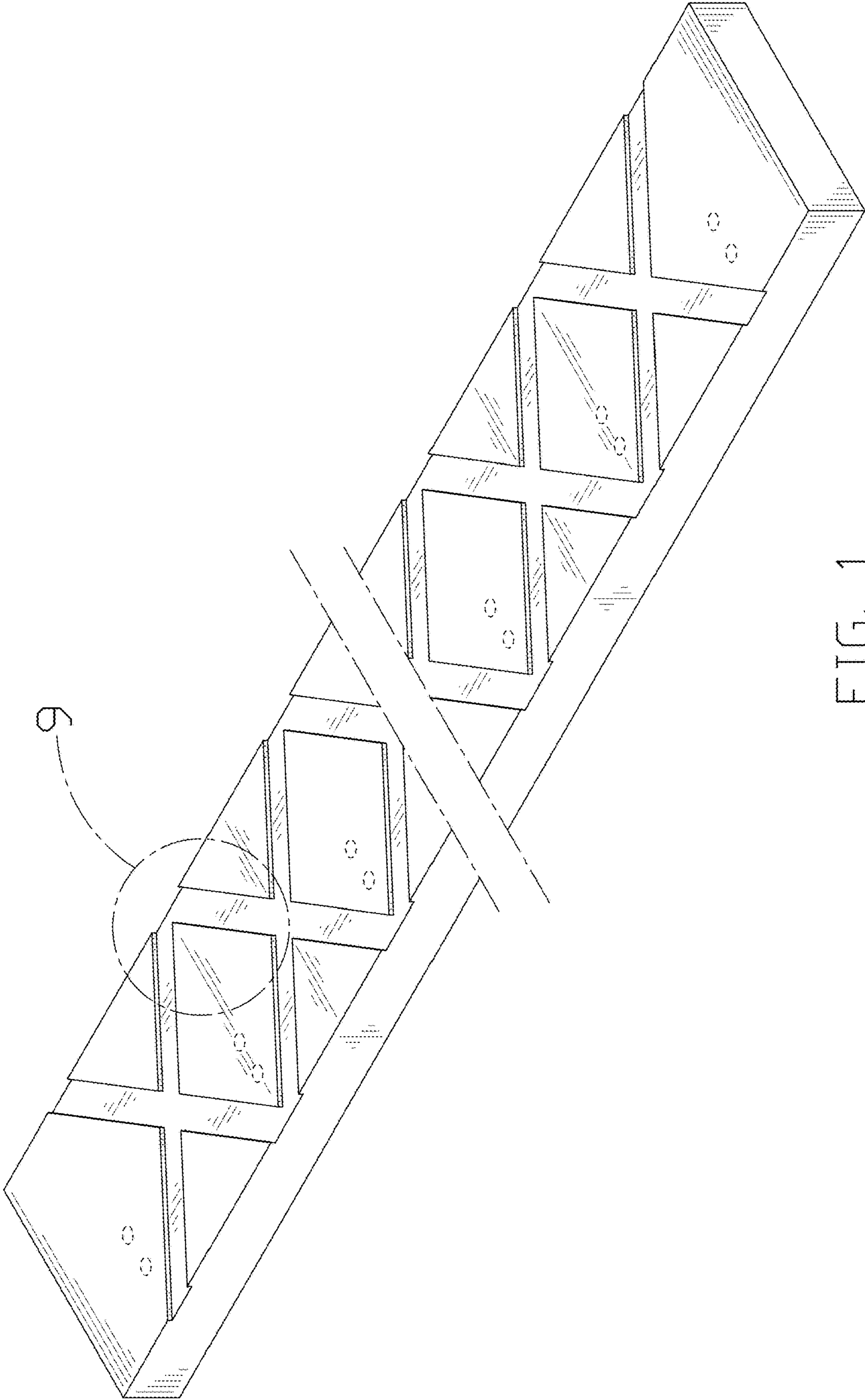


FIG. 1

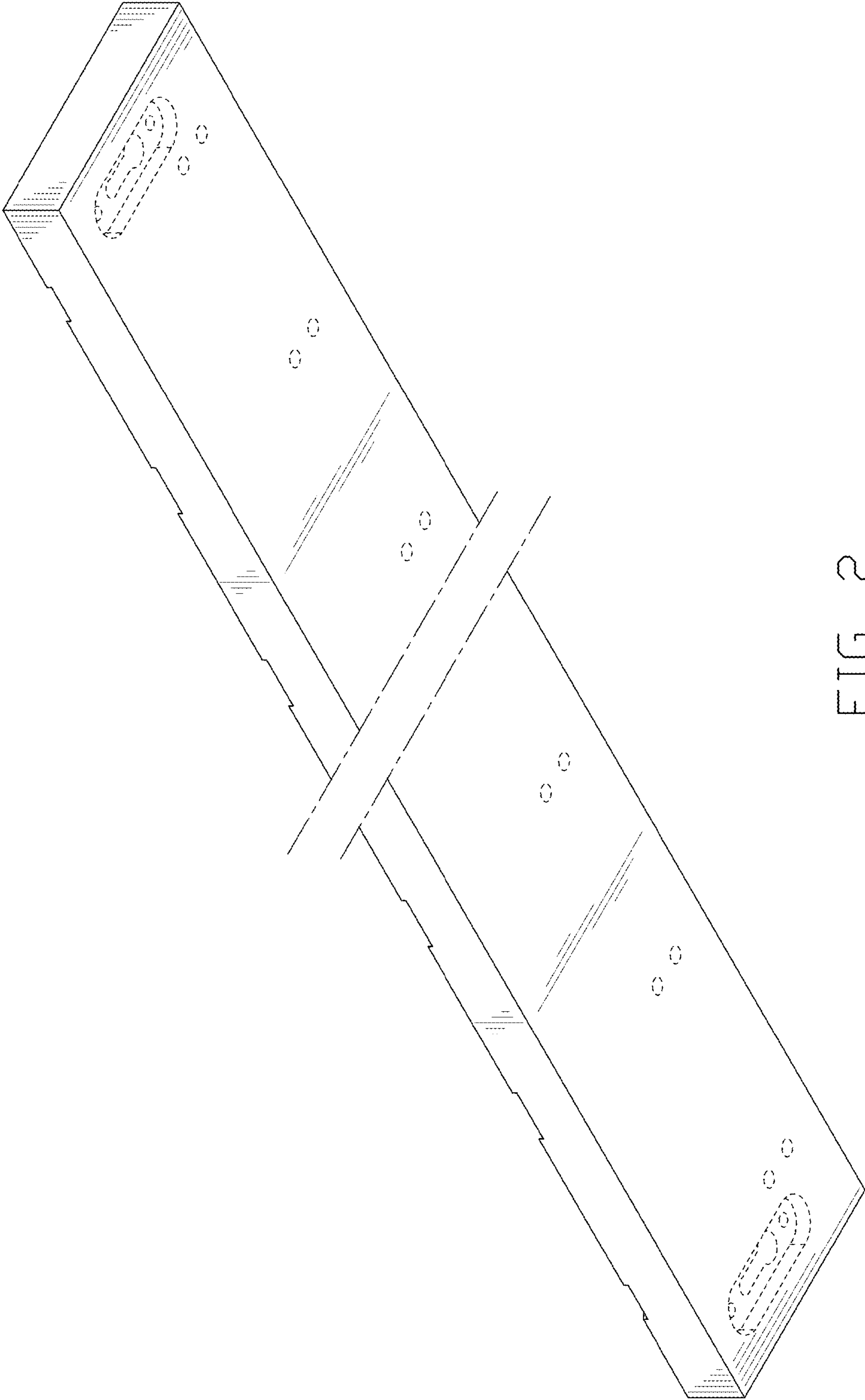


FIG. 2

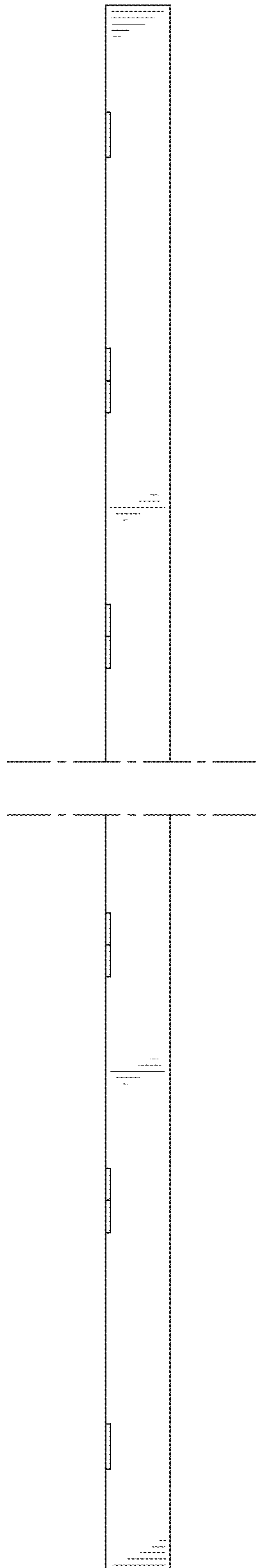


FIG. 3

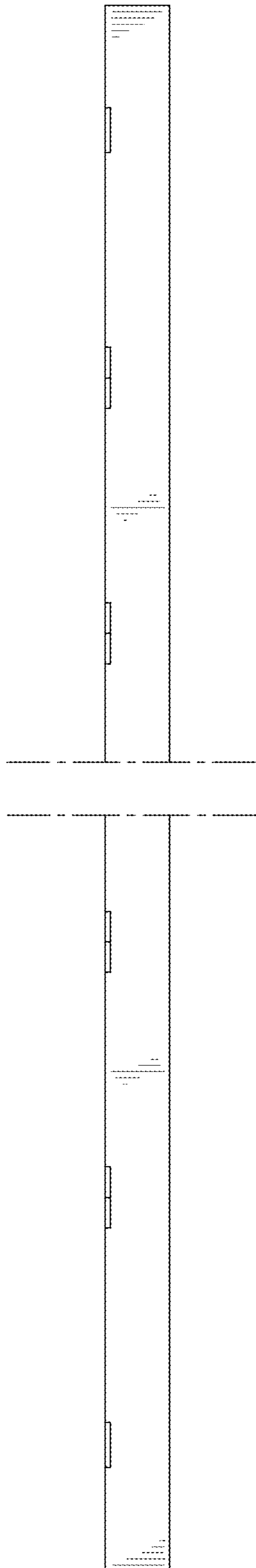


FIG. 4

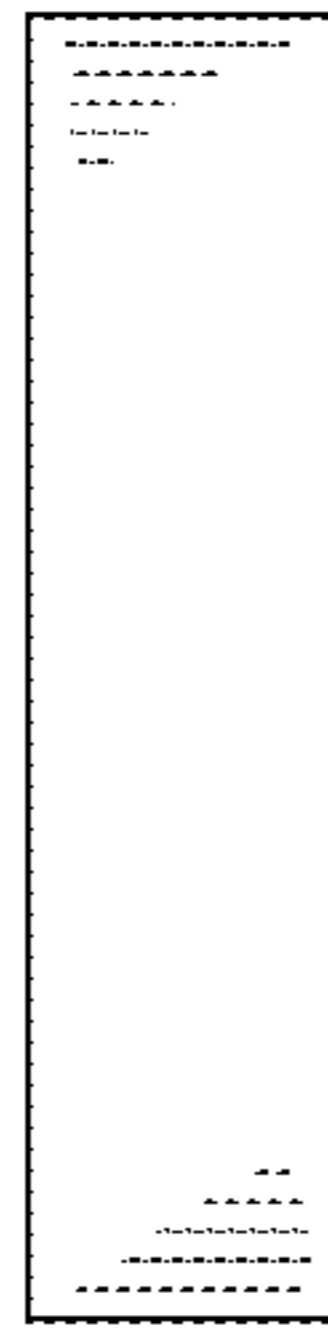


FIG. 5



FIG. 6

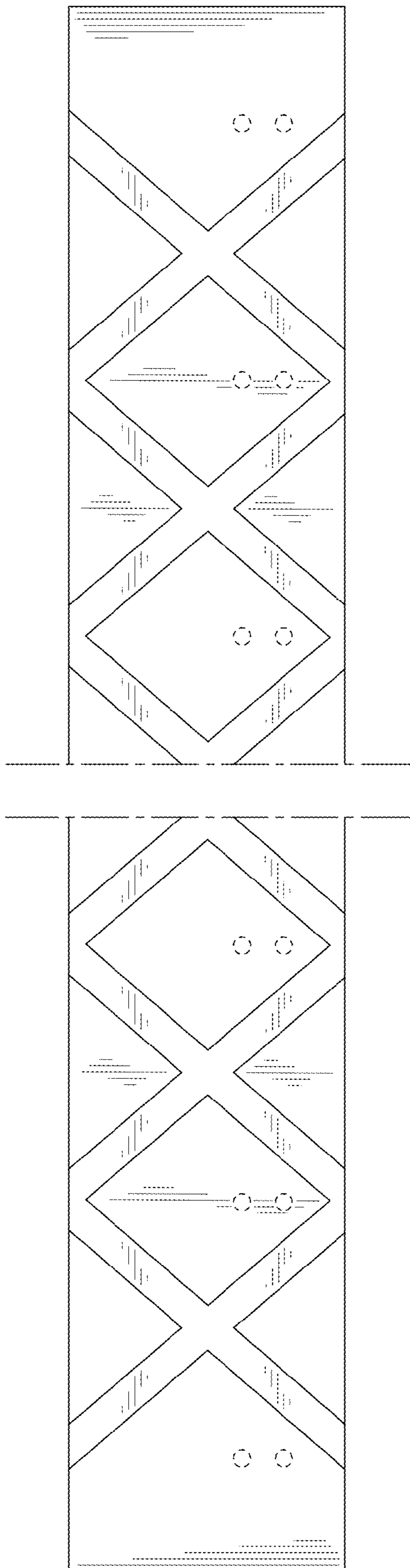


FIG. 7



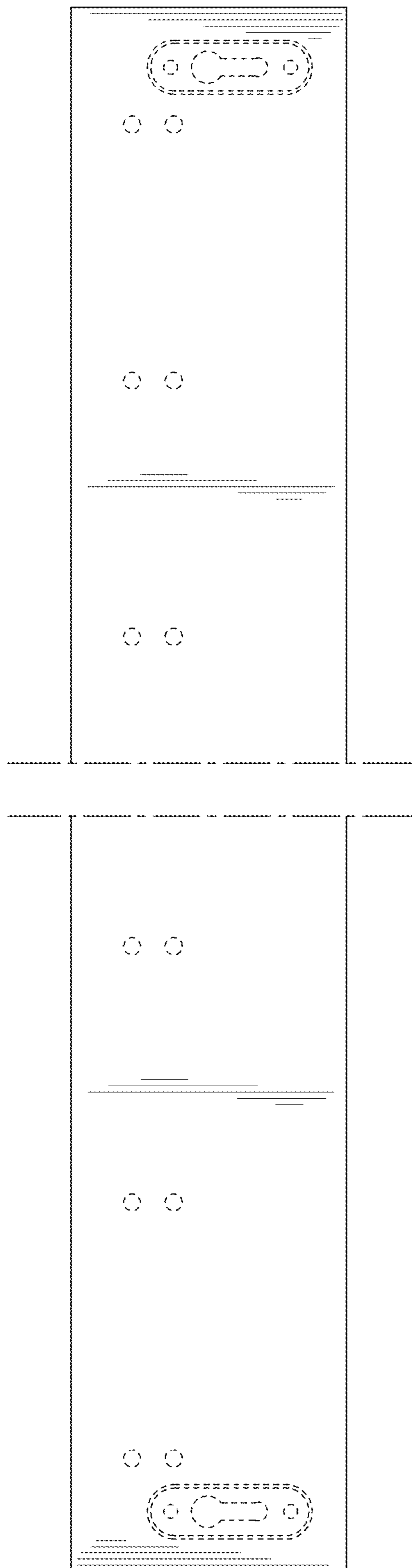


FIG. 8

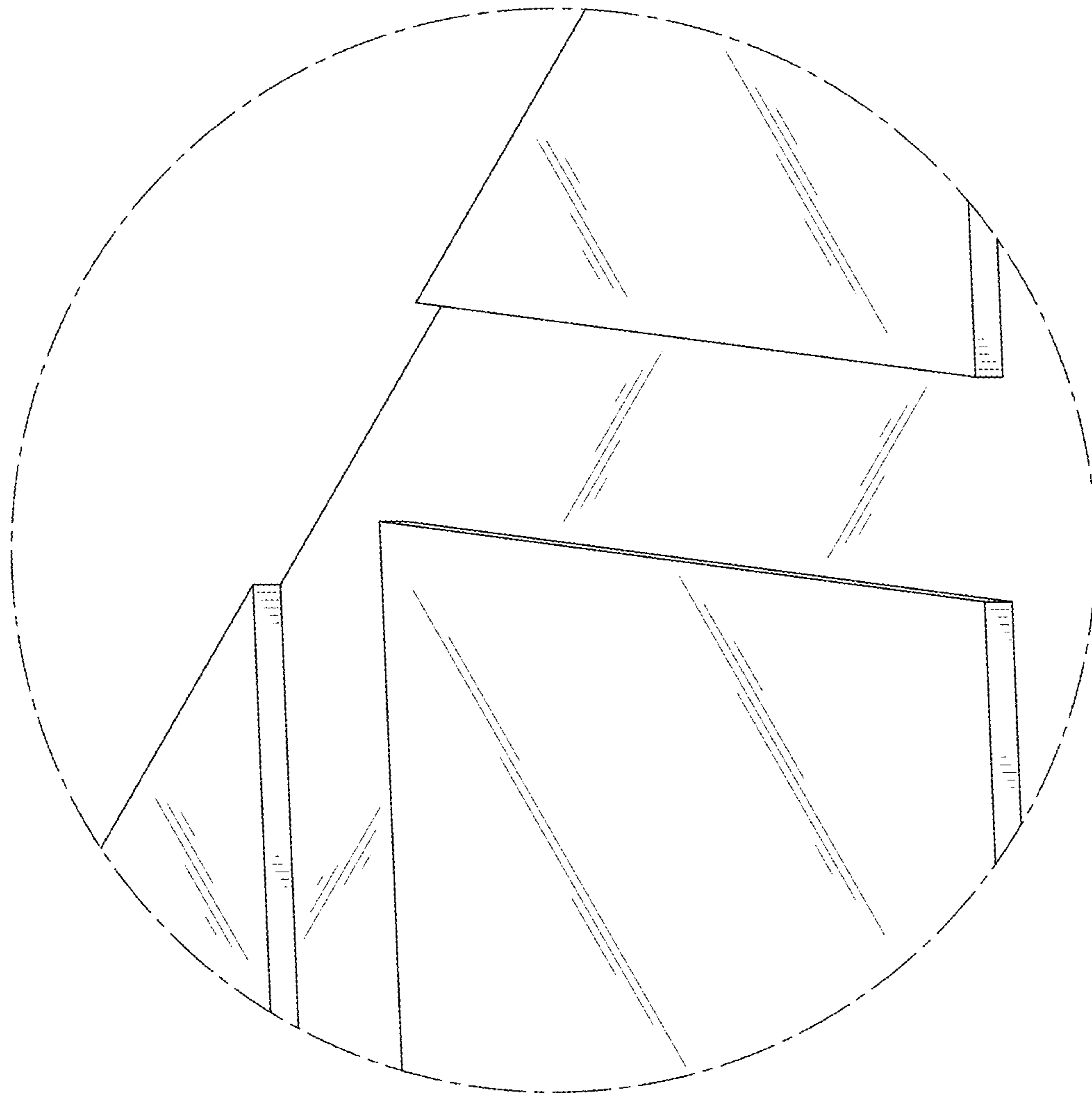


FIG. 9

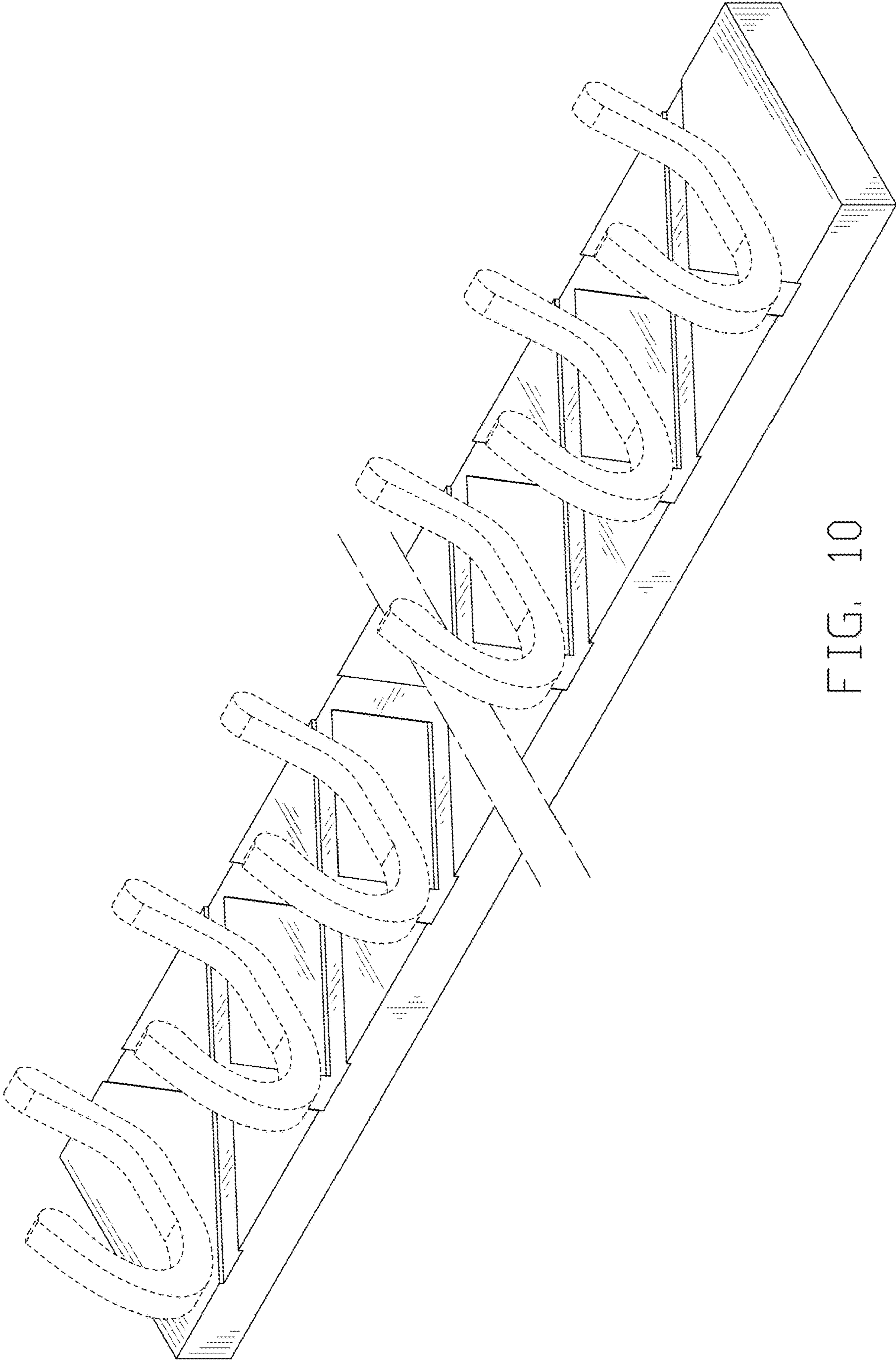


FIG. 10