



US00D970906S

(12) **United States Design Patent**
Yang et al.

(10) **Patent No.:** **US D970,906 S**

(45) **Date of Patent:** **** Nov. 29, 2022**

(54) **MAKEUP MIRROR**

(71) Applicant: **DONGGUAN POWERME PLASTIC MFG. CO., LTD.**, Dongguan (CN)

(72) Inventors: **Guoxiang Yang**, Dongguan (CN);
Guowei Yang, Dongguan (CN)

(73) Assignee: **DONGGUAN POWERME PLASTIC MFG. CO., LTD.**, Dongguan (CN)

(**) Term: **15 Years**

(21) Appl. No.: **29/817,716**

(22) Filed: **Dec. 3, 2021**

(51) **LOC (13) Cl.** **06-07**

(52) **U.S. Cl.**
USPC **D6/310**; D6/301; D28/64.1

(58) **Field of Classification Search**
USPC D6/300–314
CPC .. A47G 1/00; A47G 2001/002; F21V 33/004;
A45D 42/10
See application file for complete search history.

(56) **References Cited**

U.S. PATENT DOCUMENTS

D260,305 S *	8/1981	MacGregor	D28/83
D265,452 S *	7/1982	Keller	D6/301
D267,983 S *	2/1983	Cheung	D28/83
4,639,102 A *	1/1987	Fetko	A45D 42/18 359/860
D812,384 S	3/2018	Zhu		

D880,171 S	4/2020	Yang		
D891,790 S *	8/2020	Liu	D6/312
D914,985 S *	3/2021	Yang	D28/64.1
D959,857 S *	8/2022	Meng	D6/312
2012/0162970 A1 *	6/2012	Bichrest	A45D 42/04 362/135

* cited by examiner

Primary Examiner — Deanna L Pratt

(57) **CLAIM**

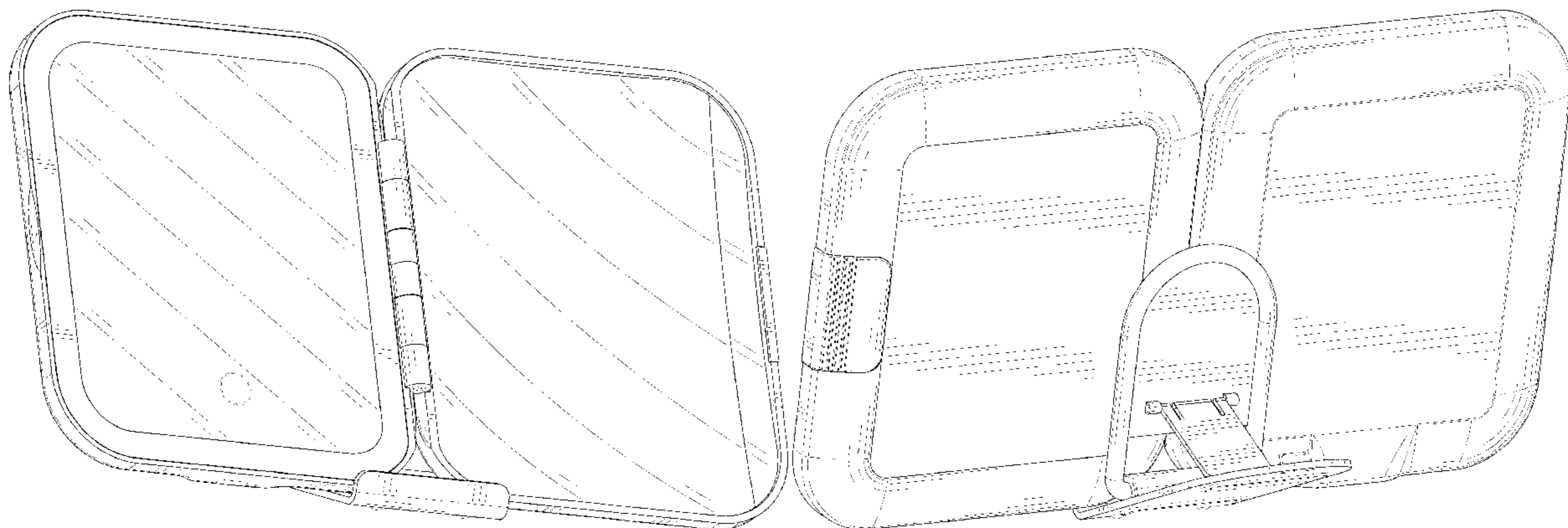
The ornamental design for a makeup mirror, as shown and described.

DESCRIPTION

FIG. 1 is a perspective view of a makeup mirror showing our new design;
FIG. 2 is another perspective view thereof;
FIG. 3 is a front elevational view thereof;
FIG. 4 is a rear elevational view thereof;
FIG. 5 is a left side elevational view thereof;
FIG. 6 is a right side elevational view thereof;
FIG. 7 is a top plan view thereof;
FIG. 8 is a bottom plan view thereof; and,
FIG. 9 is an exploded perspective view of the makeup mirror.

The broken lines in the drawings depict portions of the makeup mirror that form no part of the claimed design.

1 Claim, 9 Drawing Sheets



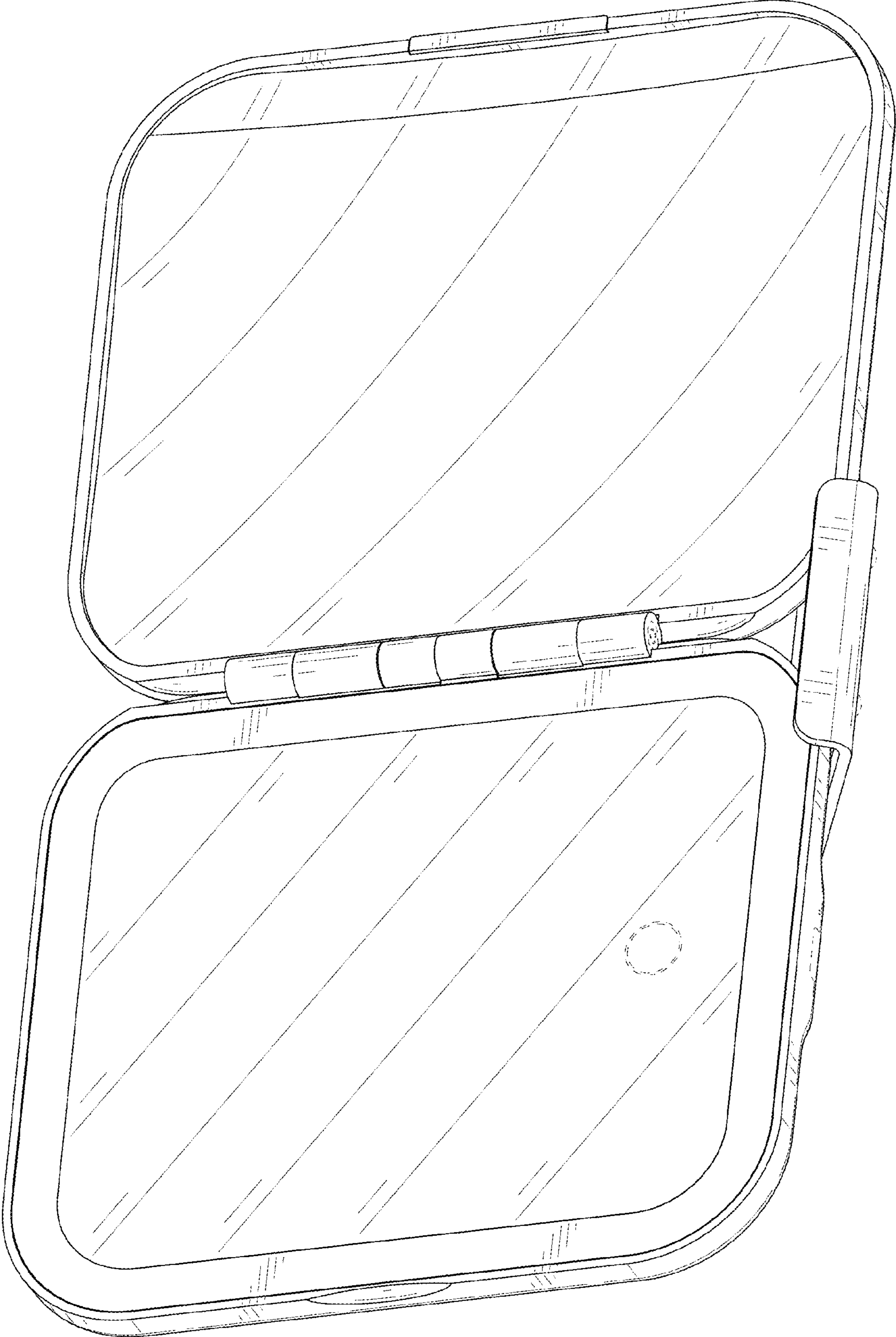


FIG. 1

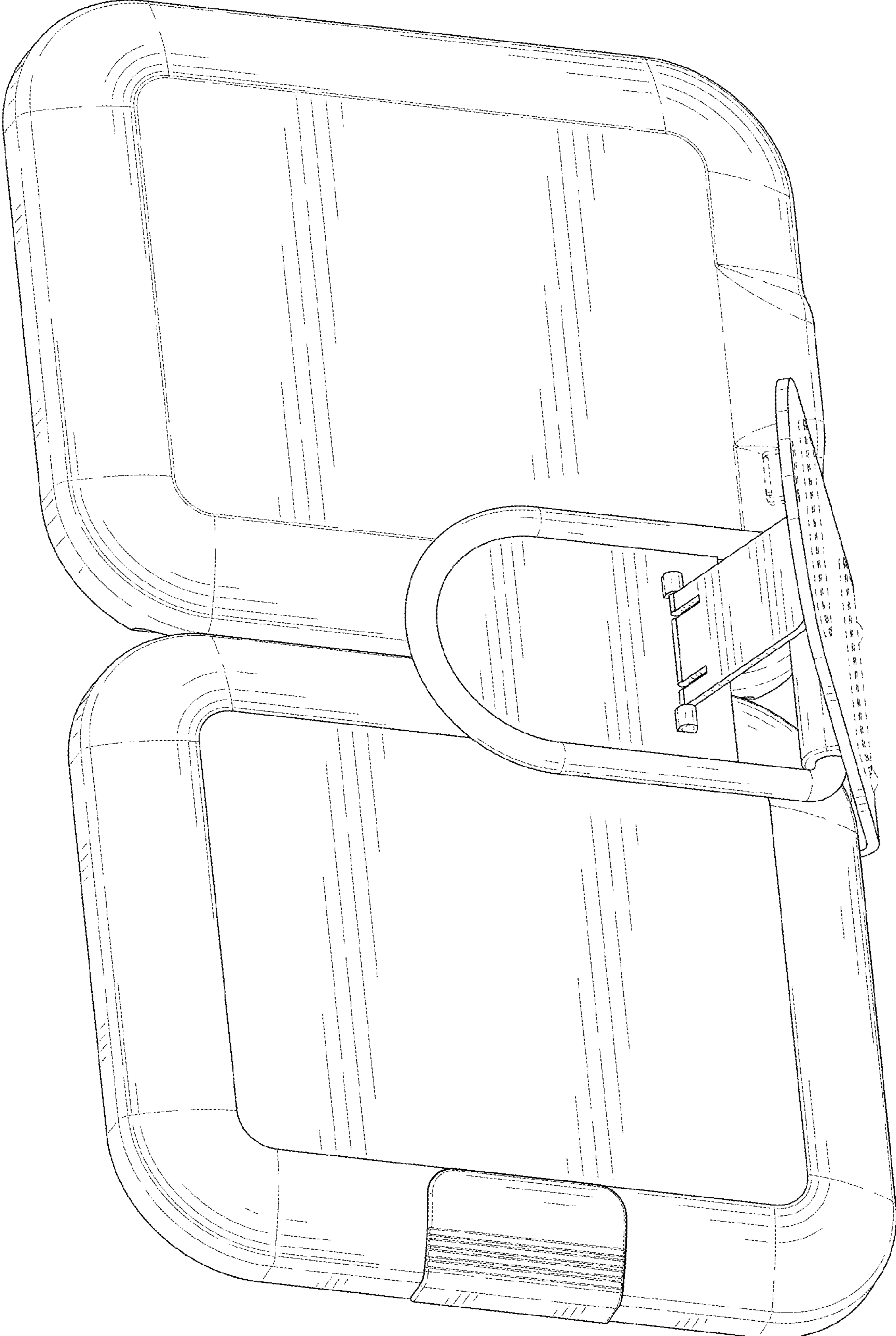


FIG. 2

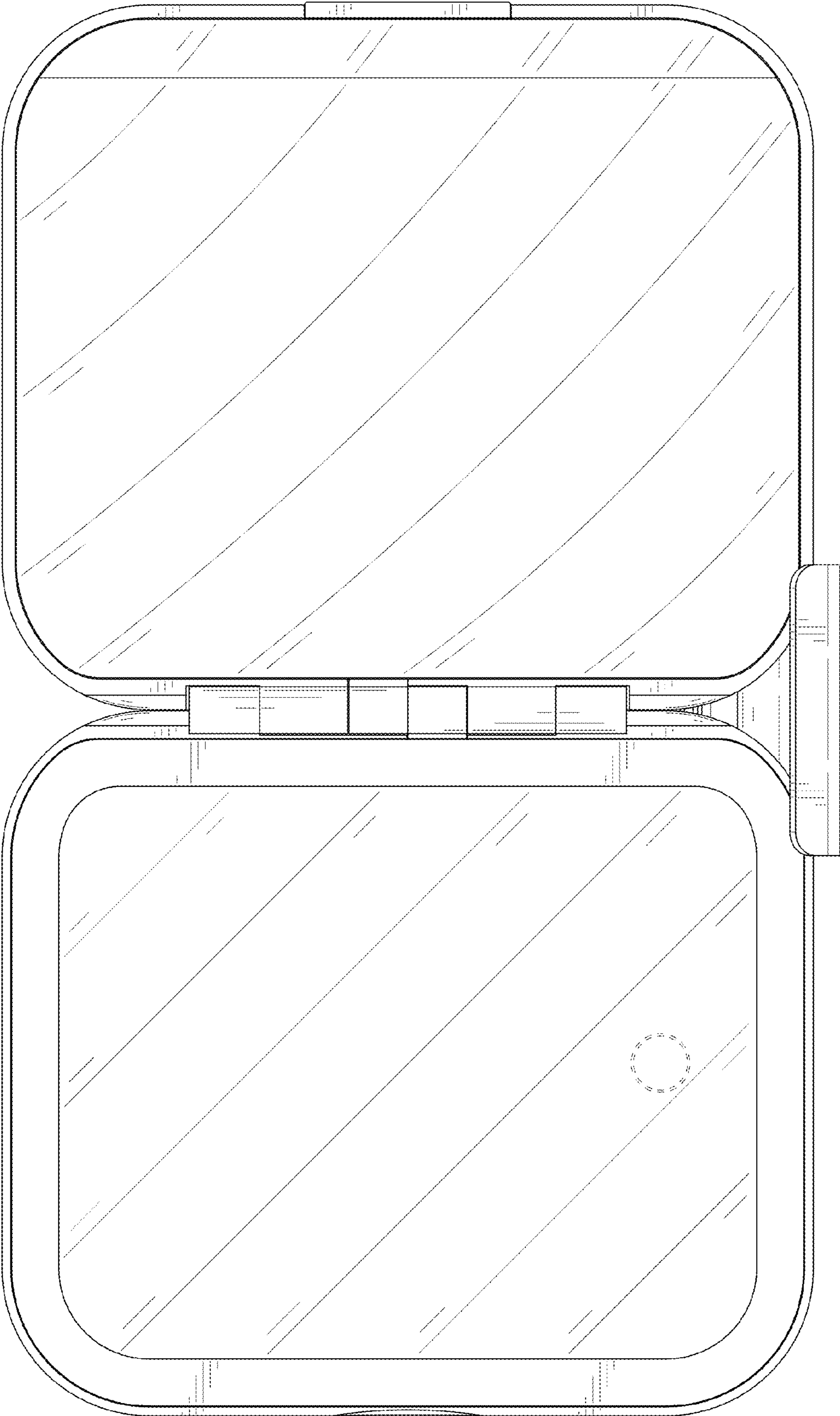


FIG. 3

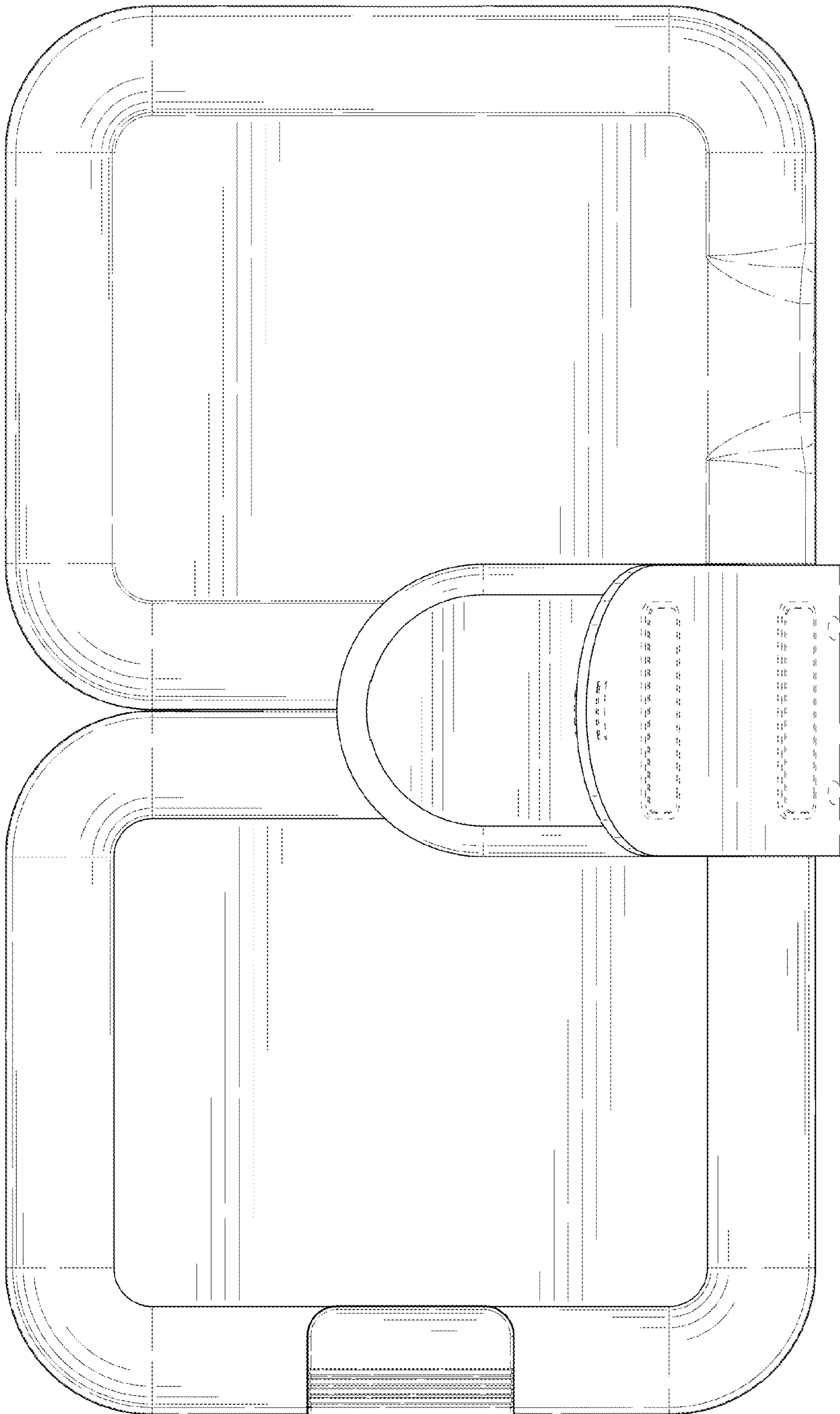


FIG. 4

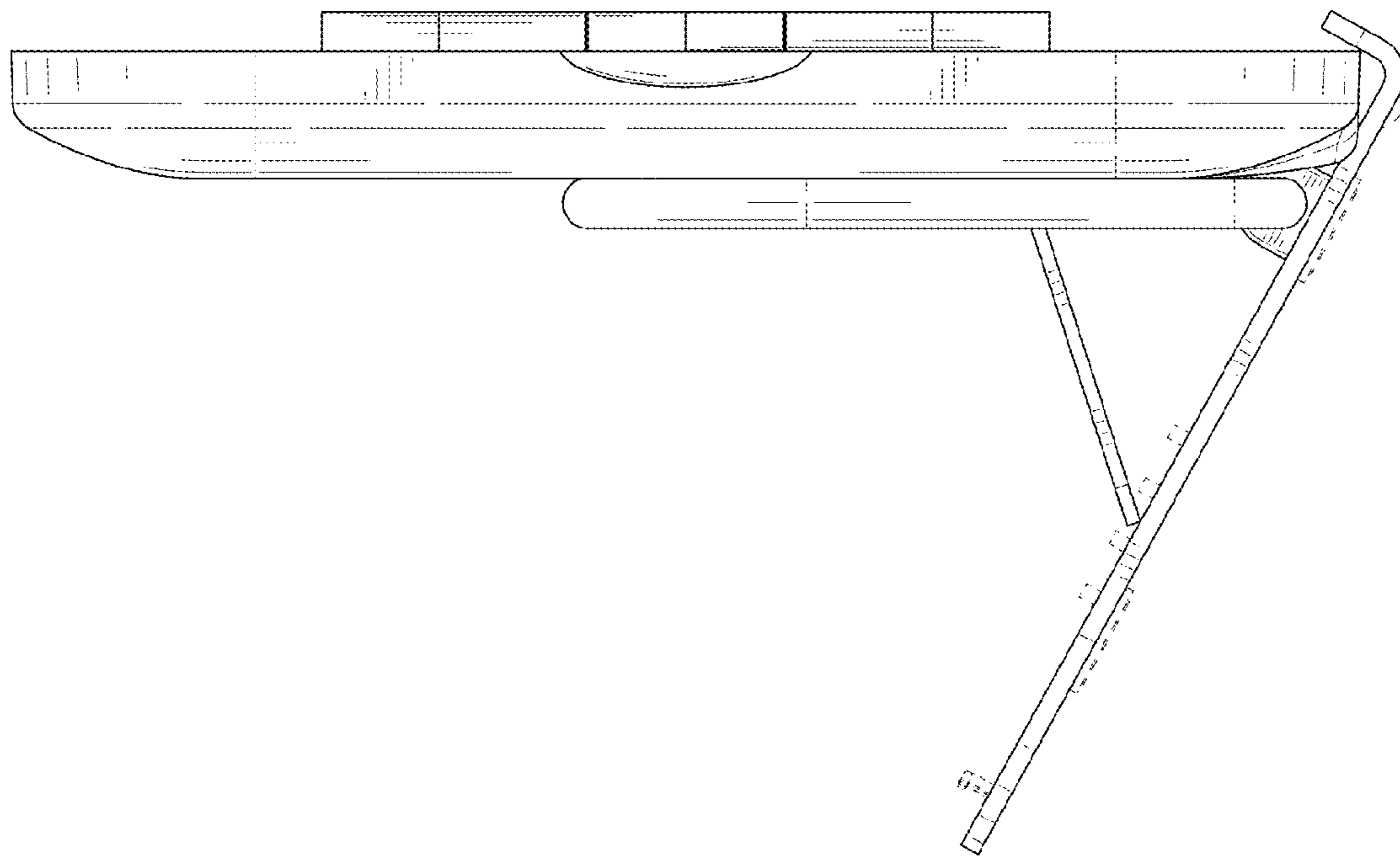


FIG. 5

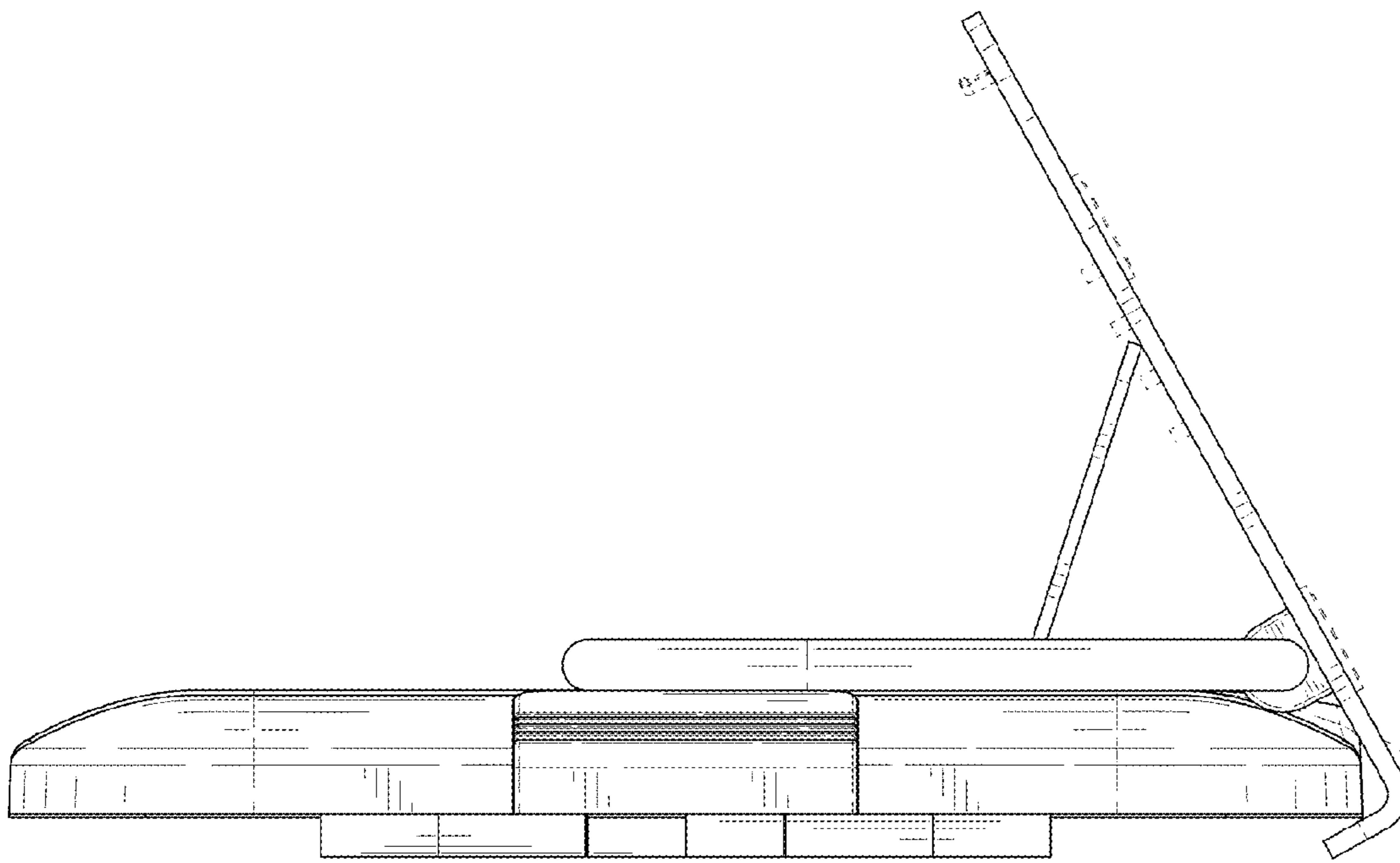


FIG. 6

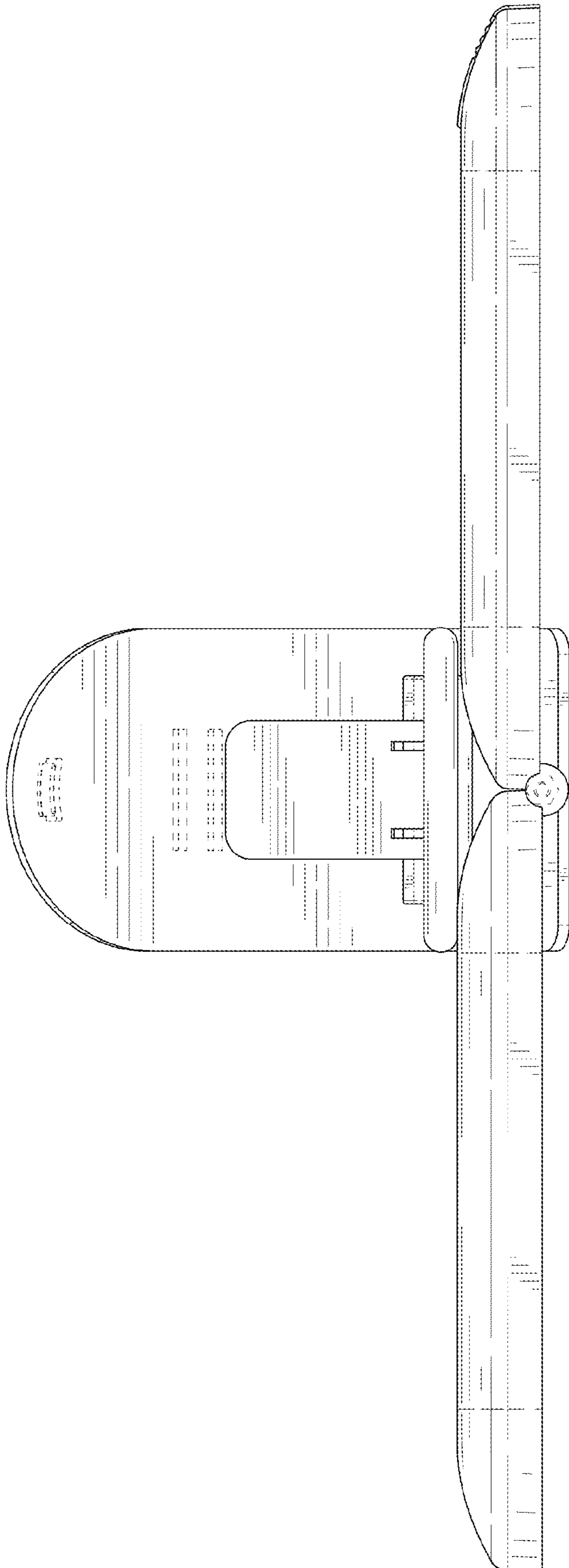


FIG. 7

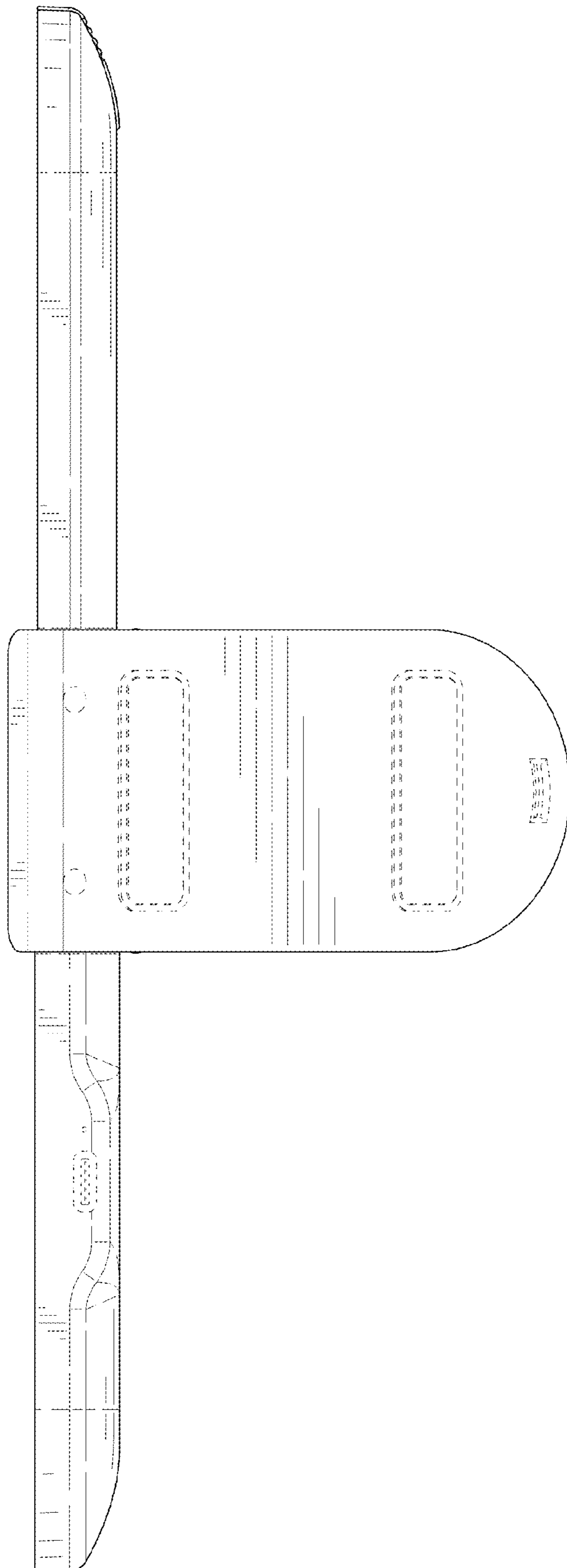


FIG. 8

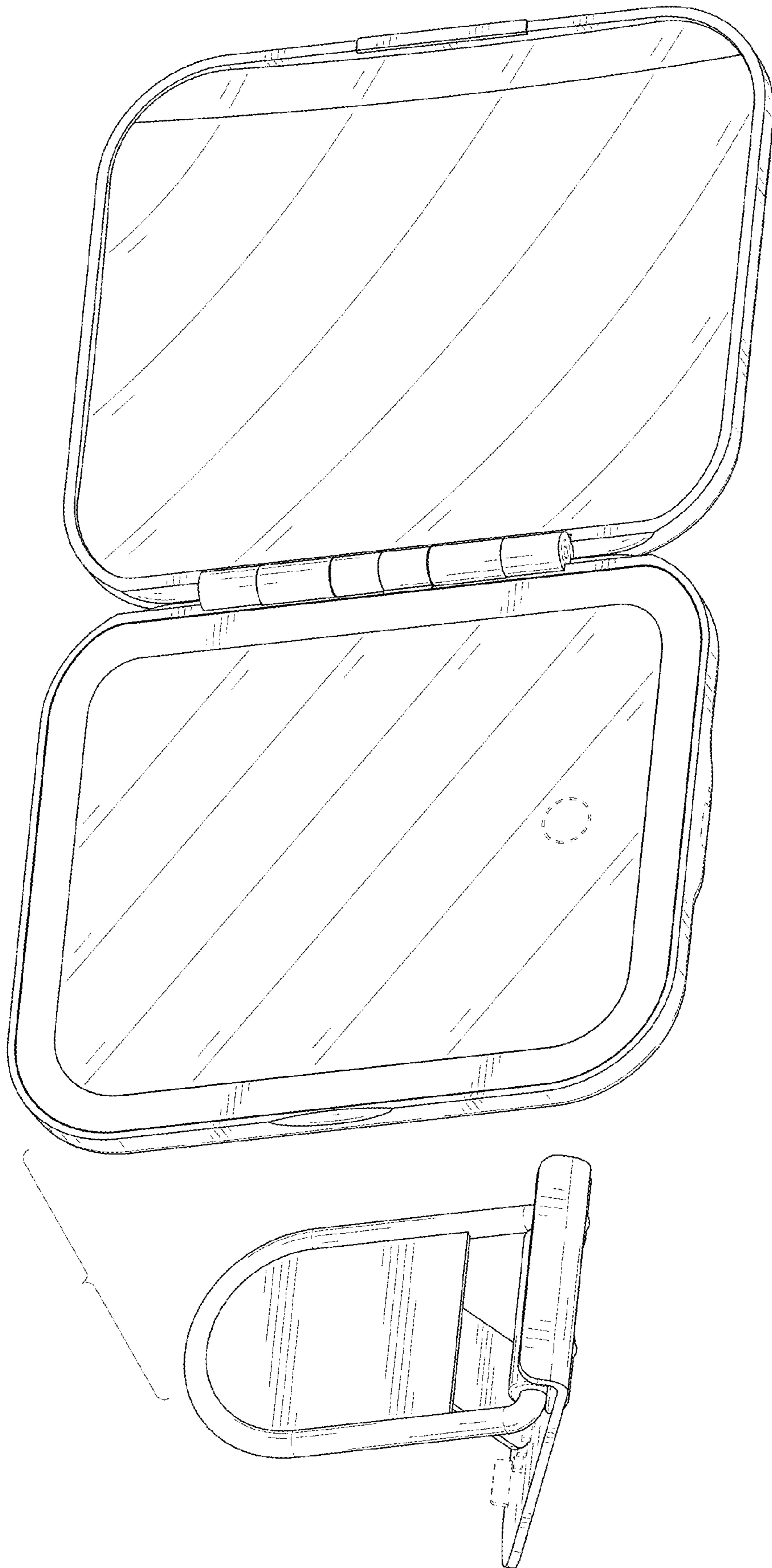


FIG. 9