



US00D970905S

(12) **United States Design Patent** (10) **Patent No.:** **US D970,905 S**
Choi (45) **Date of Patent:** **** Nov. 29, 2022**

(54) **MIRROR WITH STAND**
(71) Applicant: **Impressions Vanity Company**, Tustin, CA (US)
(72) Inventor: **Dong Kevin Choi**, Tustin, CA (US)
(73) Assignee: **Impressions Vanity Company**, Tustin, CA (US)
(**) Term: **15 Years**

D891,790 S * 8/2020 Liu D6/301
D918,601 S * 5/2021 Liu D6/300
D923,945 S * 7/2021 Du D6/308
D925,239 S * 7/2021 Cai D6/312
D929,748 S * 9/2021 Choi D6/301
D929,749 S * 9/2021 Choi D6/301

FOREIGN PATENT DOCUMENTS

CN 305857108 * 11/2019
CN 112303420 * 12/2020

OTHER PUBLICATIONS

Touch Tablet Mini Tri-Tone Led Makeup Mirror [online], [site visited Sep. 29, 2021]. Available from internet, URL: <<https://impressionsvanity.com/collections/makeup-mirrors/products/touch-tablet-mini-tri-tone-led-makeup-mirror?variant=39345182146653>> (Year: 2021).*

* cited by examiner

Primary Examiner — Cynthia Ramirez
Assistant Examiner — Xavier Marti-Santos
(74) *Attorney, Agent, or Firm* — Ansari Katiraei LLP; Arman Katiraei; Sadiq Ansari

(21) Appl. No.: **29/743,052**
(22) Filed: **Jul. 17, 2020**
(51) **LOC (13) Cl.** **06-07**
(52) **U.S. Cl.**
USPC **D6/310**
(58) **Field of Classification Search**
USPC D6/300, 301, 302, 303, 304, 307, 308, D6/309, 310, 311, 312, 313, 314; D28/64.1-64.7; D14/336, 341, 371, 372, D14/374, 381, 382, 448, 450; D19/113, D19/114; D20/10, 27, 42
CPC A45D 42/00; A45D 42/10; A45D 42/16; A45D 42/20; A45D 42/24; A47G 1/00; A47G 1/02; A47G 1/04; A47G 1/0622; B60J 3/0282
See application file for complete search history.

(57) **CLAIM**

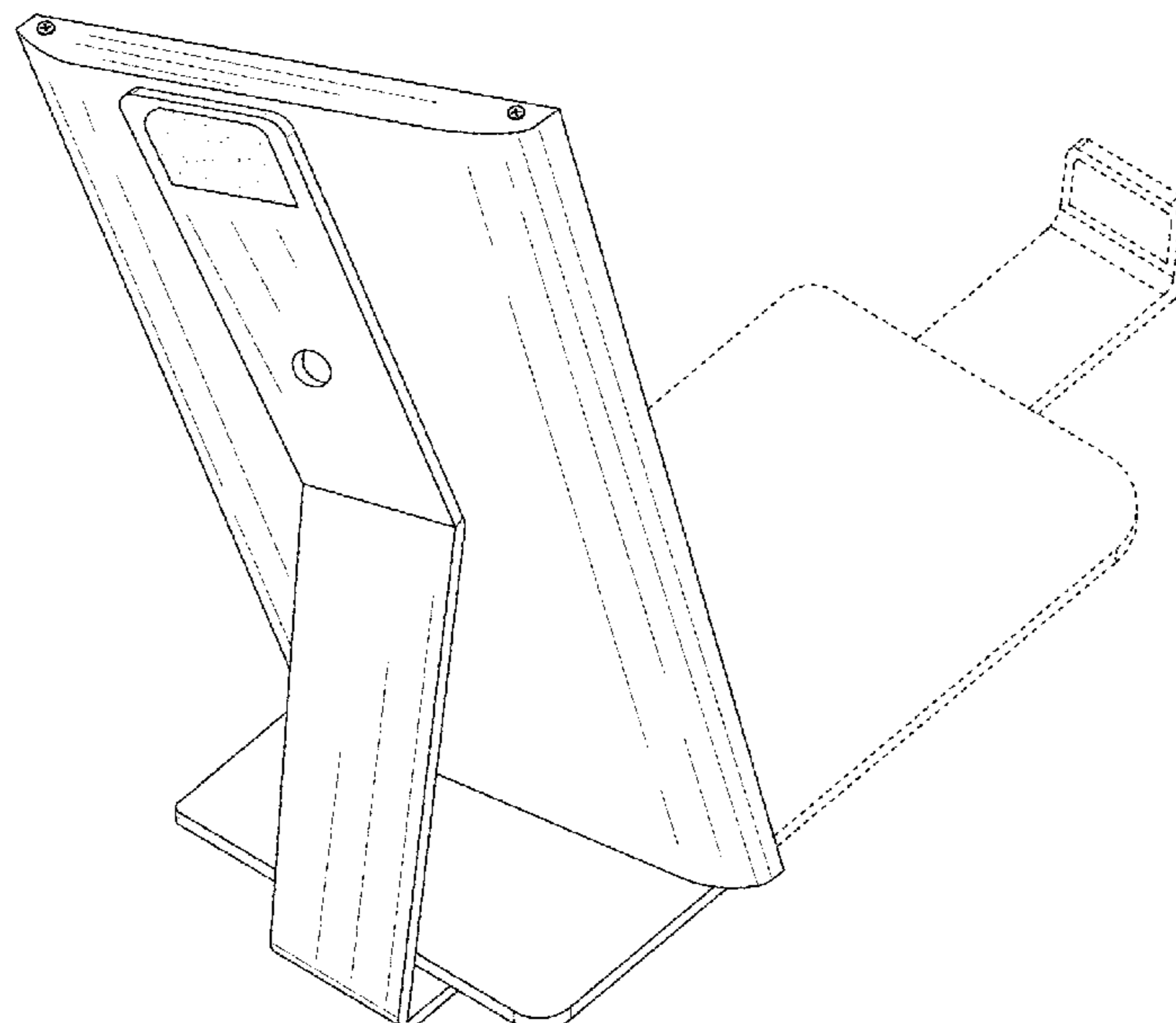
I claim the ornamental design for a mirror with stand, as shown and described.

DESCRIPTION

FIG. 1 is a back perspective view of a mirror with stand showing my new design;
FIG. 2 is a side view thereof;
FIG. 3 is a front view thereof; and,
FIG. 4 is an angled top view thereof.
The broken lines depict portions of the article that form no part of the claimed design.

1 Claim, 4 Drawing Sheets

(56) **References Cited**
U.S. PATENT DOCUMENTS
D135,404 S * 4/1943 Bezborodko D6/304
D559,559 S * 1/2008 Butcher D6/309
D564,763 S * 3/2008 Yue D6/313
D651,349 S * 12/2011 DeMarco D28/64.1
D741,070 S * 10/2015 Martin D6/310
D779,217 S * 2/2017 Zhang D6/308
D812,384 S * 3/2018 Zhu D6/311
D880,171 S * 4/2020 Yang D6/308



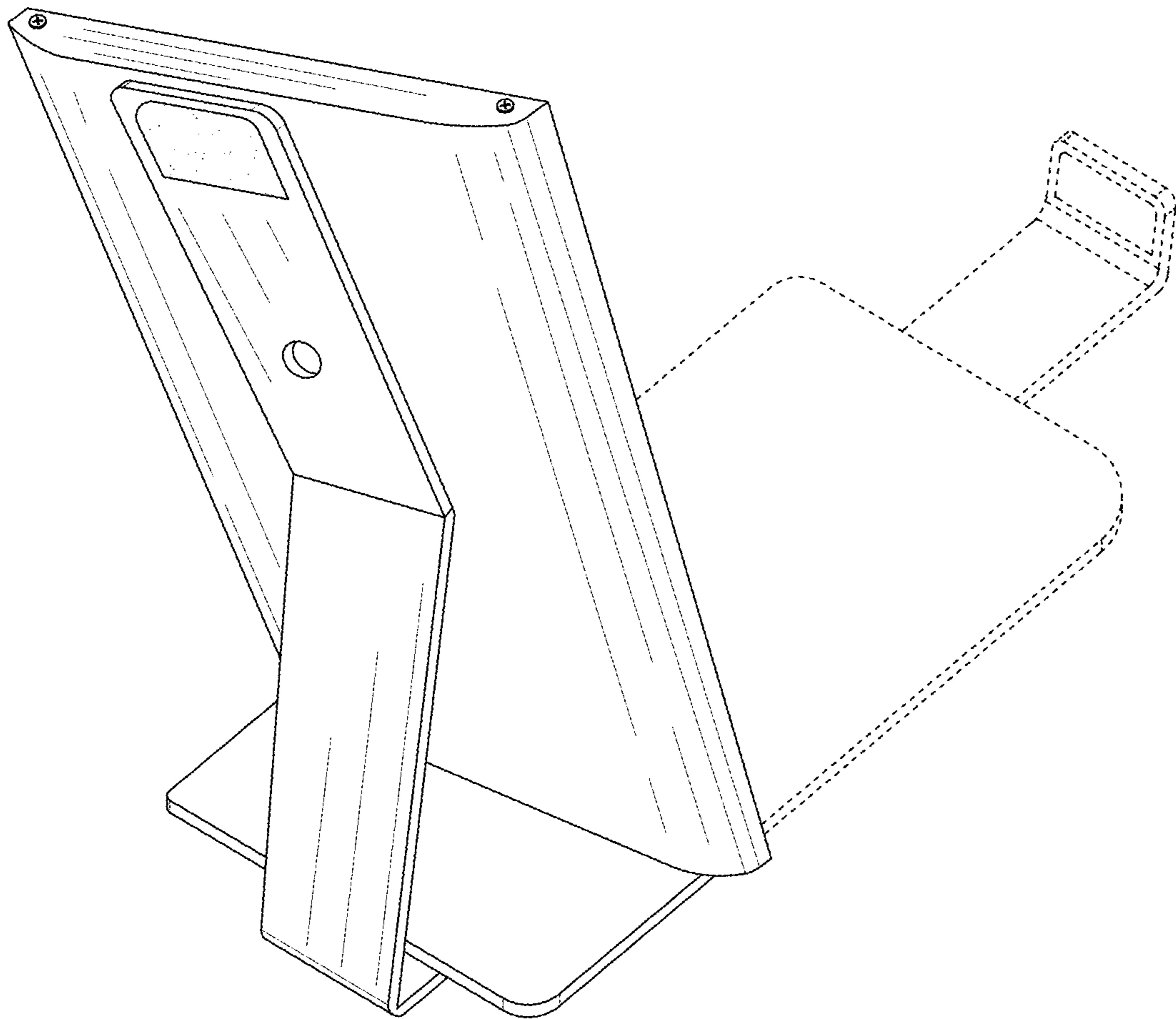


FIG. 1

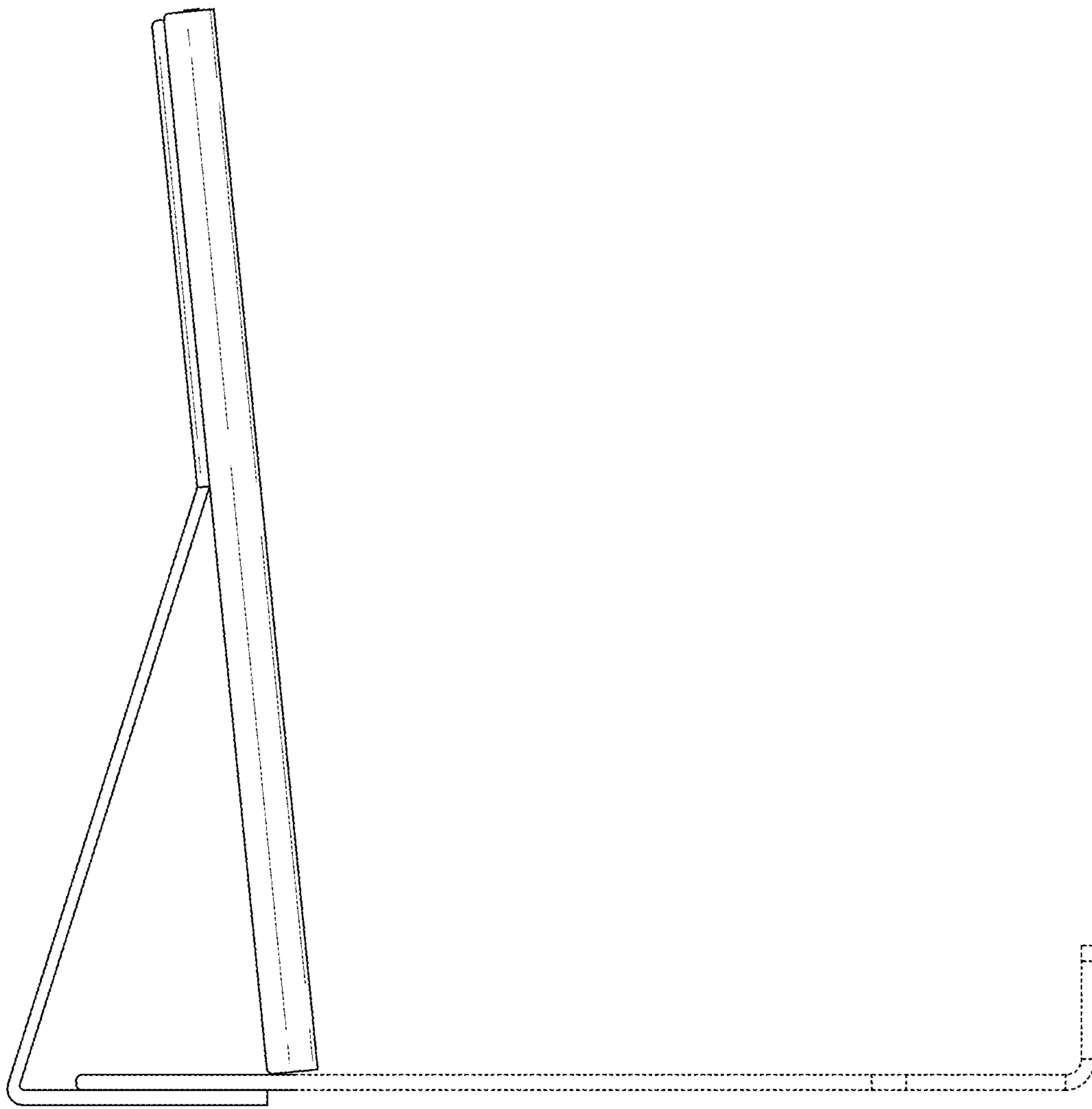


FIG. 2

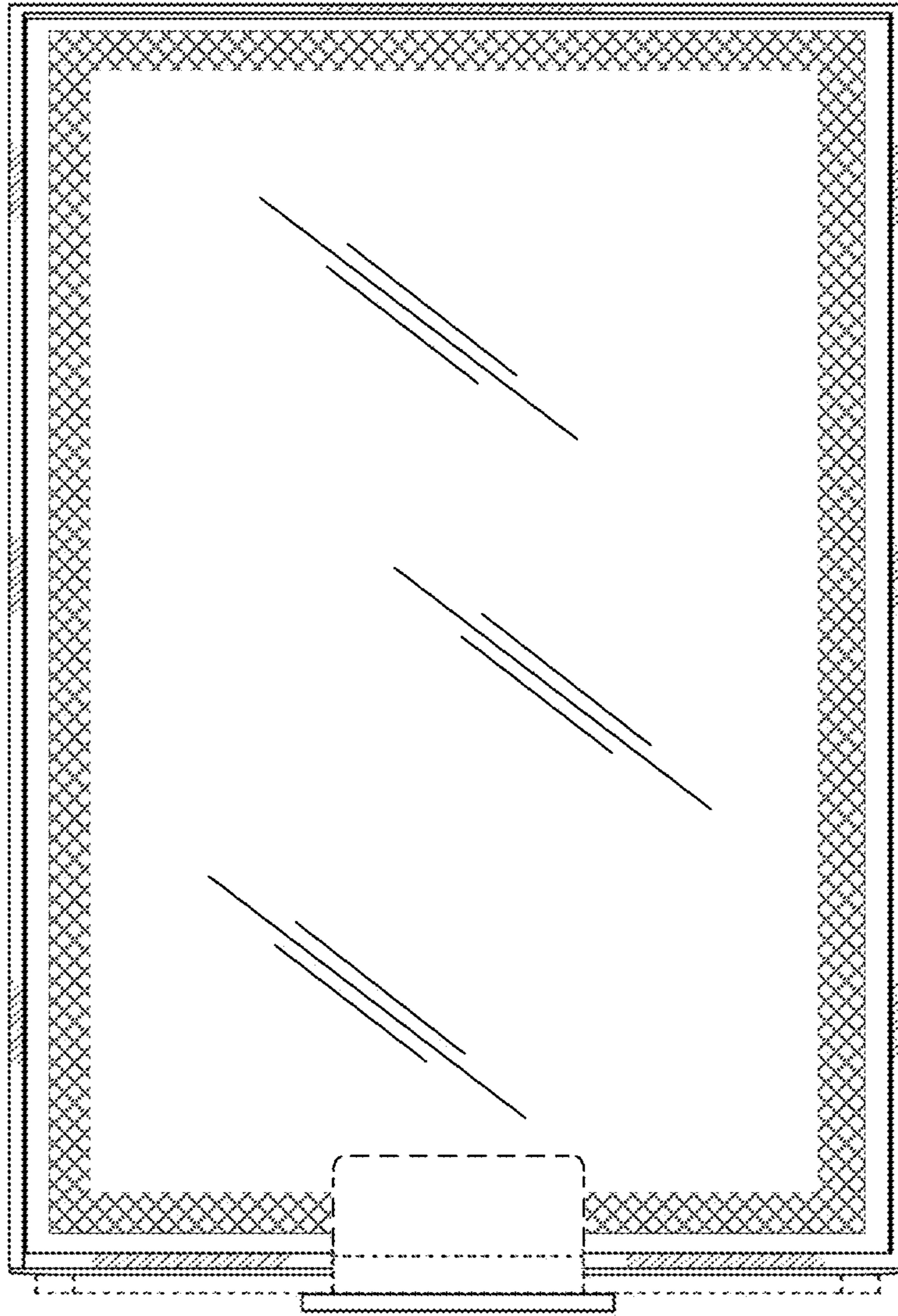


FIG. 3

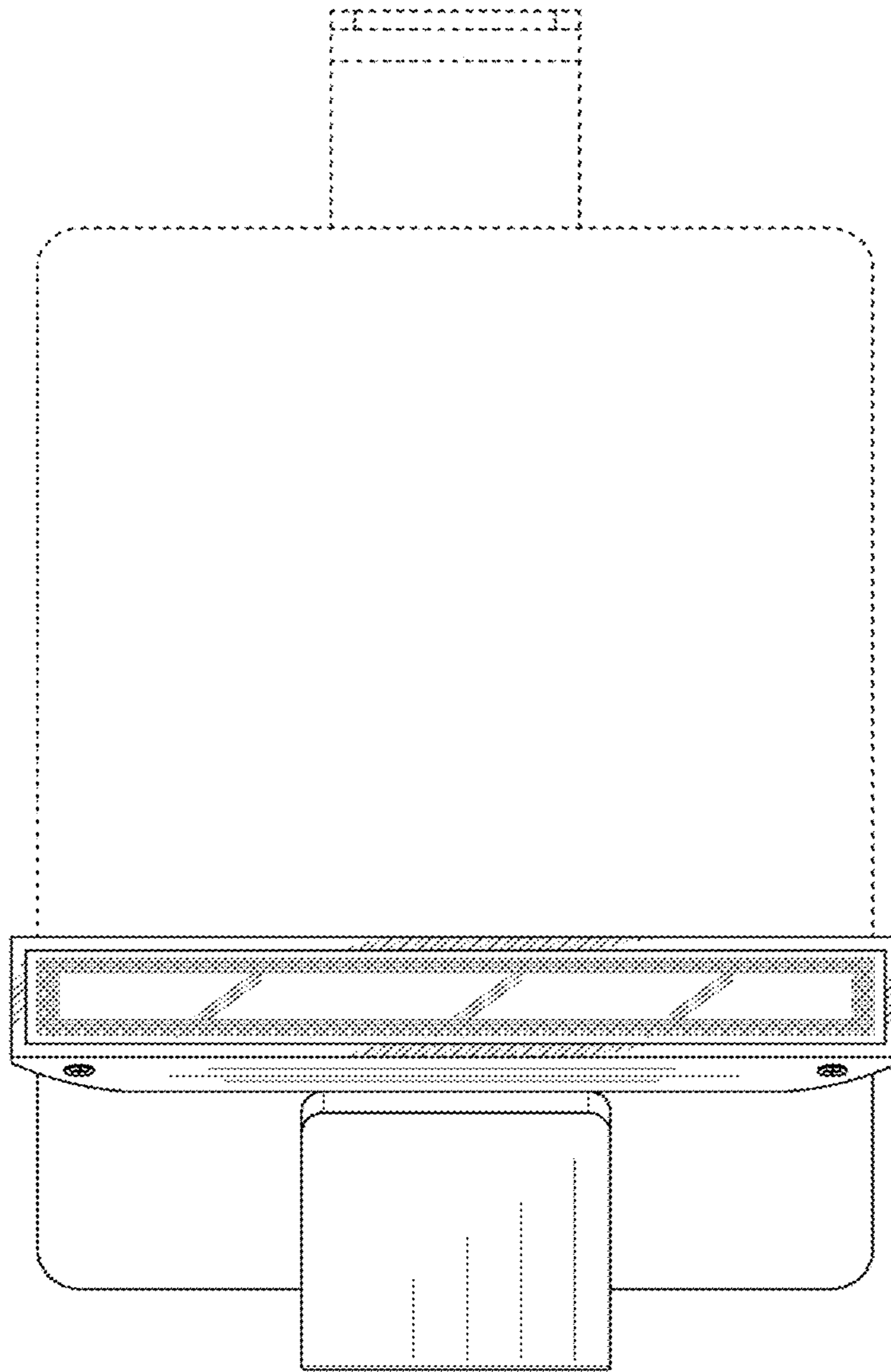


FIG. 4