



US00D970904S

(12) **United States Design Patent** (10) **Patent No.:** **US D970,904 S**  
**Shin** (45) **Date of Patent:** **\*\* Nov. 29, 2022**

(54) **SMART MAKEUP MIRROR DEVICE**

(71) Applicant: **ICON AI Inc.**, Seoul (KR)

(72) Inventor: **Min Young Shin**, Seoul (KR)

(\*\*) Term: **15 Years**

(21) Appl. No.: **35/511,287**

(22) Filed: **Jul. 31, 2020**

(80) **Hague Agreement Data**

Int. Filing Date: **Jul. 31, 2020**

Int. Reg. No.: **DM/211089**

Int. Reg. Date: **Jul. 31, 2020**

Int. Reg. Pub. Date: **Feb. 5, 2021**

(30) **Foreign Application Priority Data**

Feb. 19, 2020 (KR) ..... 30-2020-0007460

(51) **LOC (13) Cl.** ..... **06-07**

(52) **U.S. Cl.**  
USPC ..... **D6/309; D14/172**

(58) **Field of Classification Search**  
USPC ..... D6/300, 301, 303, 304, 308, 309, 310,  
D6/312; D14/172; D21/578, 579;  
D26/51, 52, 56, 61, 63, 64, 65  
CPC .... A47G 1/02; A47G 1/24; A47G 2001/1673;  
A47G 2200/08; A47G 2200/14; A47G  
2200/143; A47G 2200/146; G06F 3/005;  
G06F 3/011; G06F 3/041; G06F 3/167;  
H04R 1/028; H04R 2430/01; A45D  
2044/007; A45D 44/005; A45D 40/18;  
A45D 33/32; G06T 2207/30201; B60R  
1/12; B60R 2001/1269; G09F 13/12  
See application file for complete search history.

(56) **References Cited**

**U.S. PATENT DOCUMENTS**

D779,836 S \* 2/2017 Bailey ..... D6/309  
D825,940 S \* 8/2018 Liu ..... D6/309

D840,699 S \* 2/2019 Xie ..... D6/309  
D850,125 S \* 6/2019 Wang ..... D6/309  
D854,838 S \* 7/2019 Jeon ..... D6/309  
D865,375 S \* 11/2019 Yang ..... D6/310  
D871,084 S \* 12/2019 Pestl ..... D6/309  
D872,488 S \* 1/2020 Choi ..... D6/309  
D874,161 S \* 2/2020 Yang ..... D6/309  
D874,162 S \* 2/2020 Greenwalt ..... D6/310  
D879,482 S \* 3/2020 Yang ..... D6/309  
D882,280 S \* 4/2020 Yang ..... D6/309  
D891,121 S \* 7/2020 Zhao ..... D6/308  
D891,792 S \* 8/2020 Yang ..... D6/309  
D893,892 S \* 8/2020 Rajasekaran ..... D6/310  
D895,306 S \* 9/2020 Liu ..... D6/310

(Continued)

**OTHER PUBLICATIONS**

Icon, posted at businesswire.com, posted on Jan. 5, 2020, site visited  
Nov. 5, 2021. online, available from internet: <https://www.businesswire.com/news/home/20200105005028/en> (Year: 2020).\*

(Continued)

*Primary Examiner* — Catherine Ho

(74) *Attorney, Agent, or Firm* — Maier & Maier, PLLC

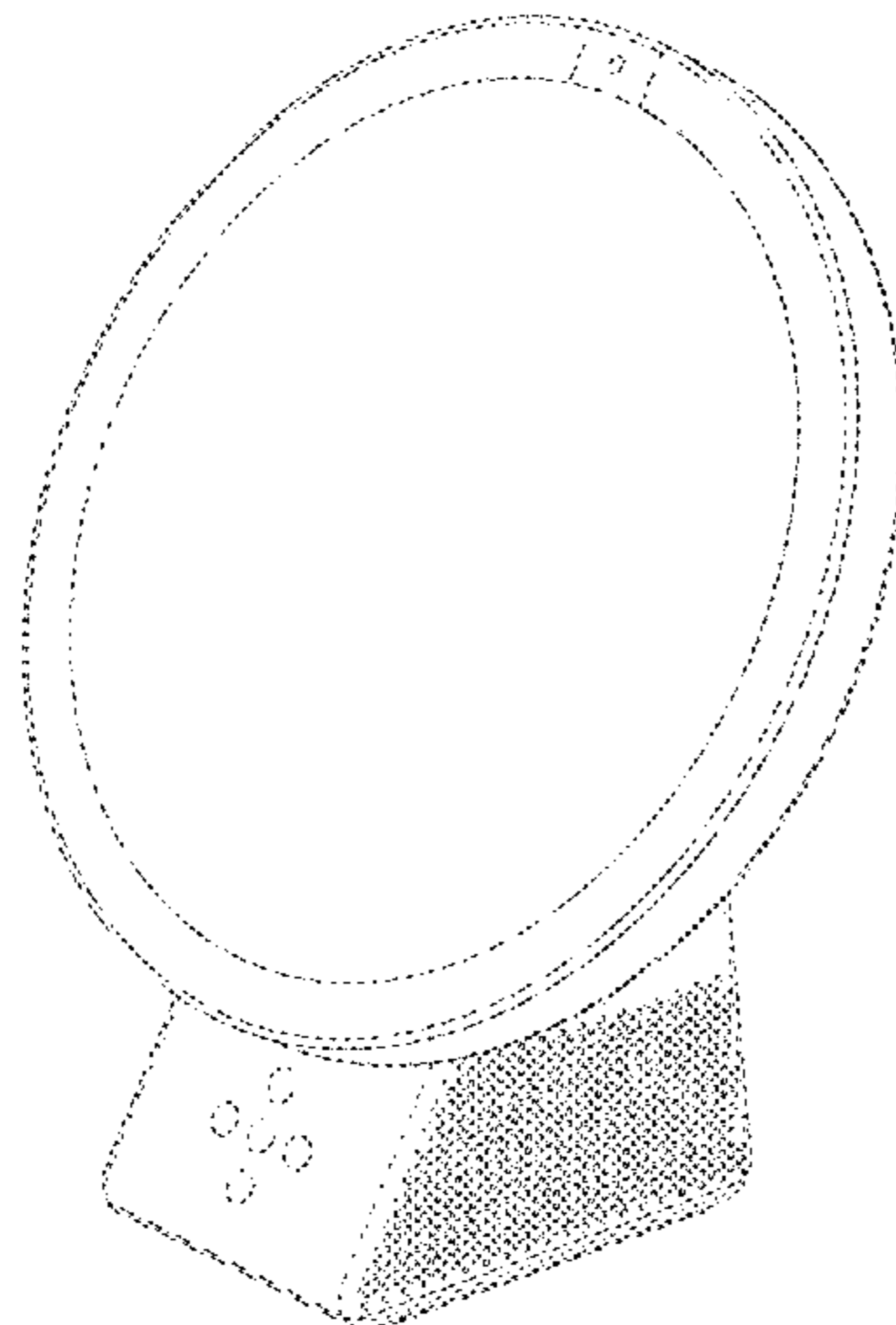
(57) **CLAIM**

The ornamental design for a smart makeup mirror device, as shown and described.

**DESCRIPTION**

- 1. Smart makeup mirror device
- 1.1 : Perspective
- 1.2 : Front
- 1.3 : Back
- 1.4 : Right
- 1.5 : Left
- 1.6 : Top
- 1.7 : Bottom
- 1.8 : Bottom perspective view
- 1.9 : A right view shown in alternate position

**1 Claim, 9 Drawing Sheets**



(56)

**References Cited**

U.S. PATENT DOCUMENTS

D898,383	S	*	10/2020	Zhou	.....	D6/308
D901,908	S	*	11/2020	Zhao	.....	D6/309
D905,447	S	*	12/2020	Yang	.....	D6/310
D909,770	S	*	2/2021	Li	.....	D6/309
D919,984	S	*	5/2021	Yang	.....	D6/312
D924,456	S	*	7/2021	Zhao	.....	D26/56
D927,864	S	*	8/2021	Yang	.....	D6/309
11,109,694	B2	*	9/2021	Shin	.....	A47G 1/02
D933,374	S	*	10/2021	Luo	.....	D6/309
2021/0137266	A1	*	5/2021	Pestl	.....	G10L 15/26

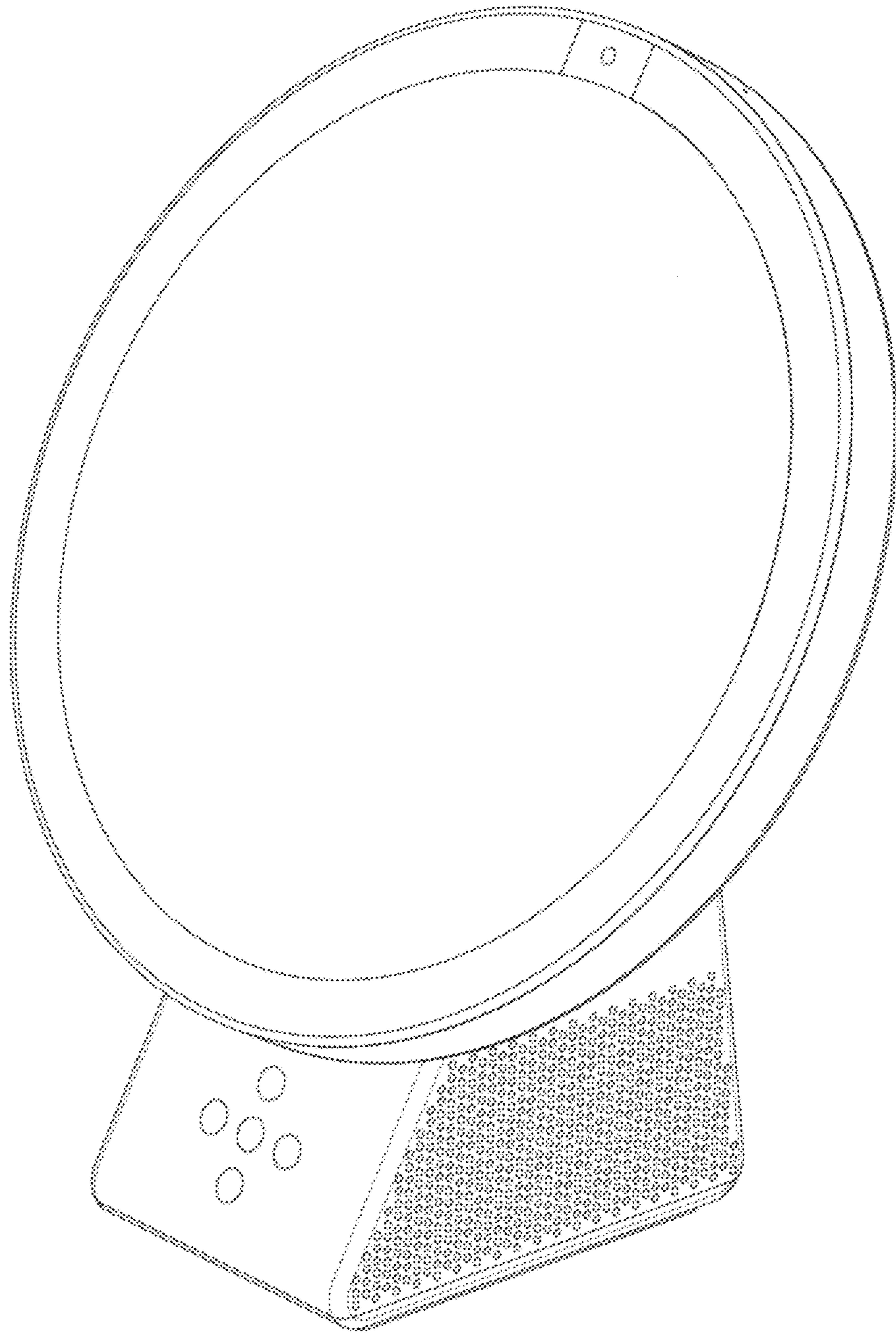
OTHER PUBLICATIONS

Simplehuman, posted at google.com, reviewed Dec. 11, 2019, site visited Nov. 5, 2021. online, available from internet: <https://www.google.com/shopping/product/1695171510365850343> (Year: 2019).\*

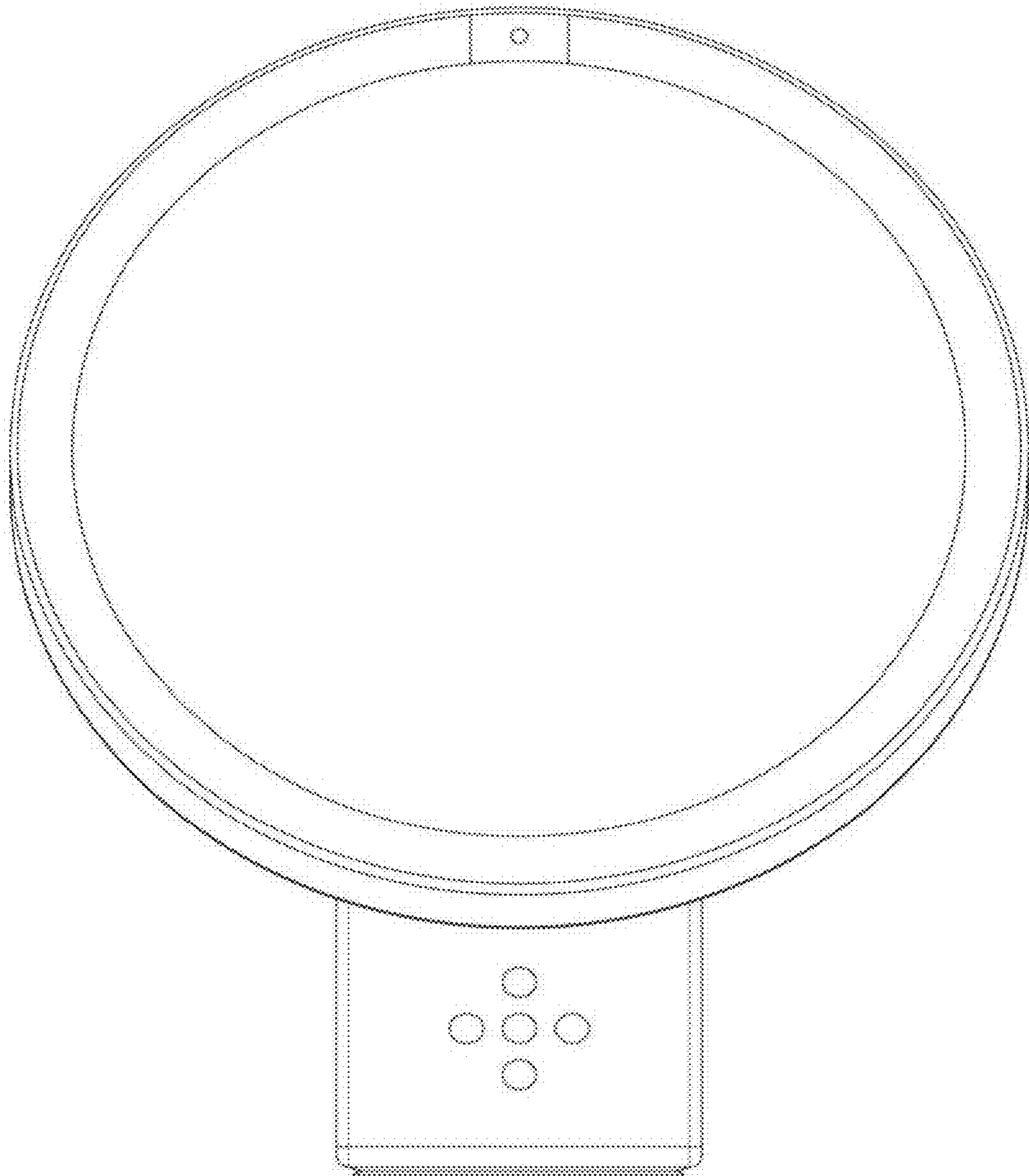
Remax, posted at facebook.com, posted on Aug. 28, 2020, site visited Nov. 5, 2021. online, available from internet: <https://www.facebook.com/remaxauthetic/posts/1231685663860095/> (Year: 2020).\*

\* cited by examiner

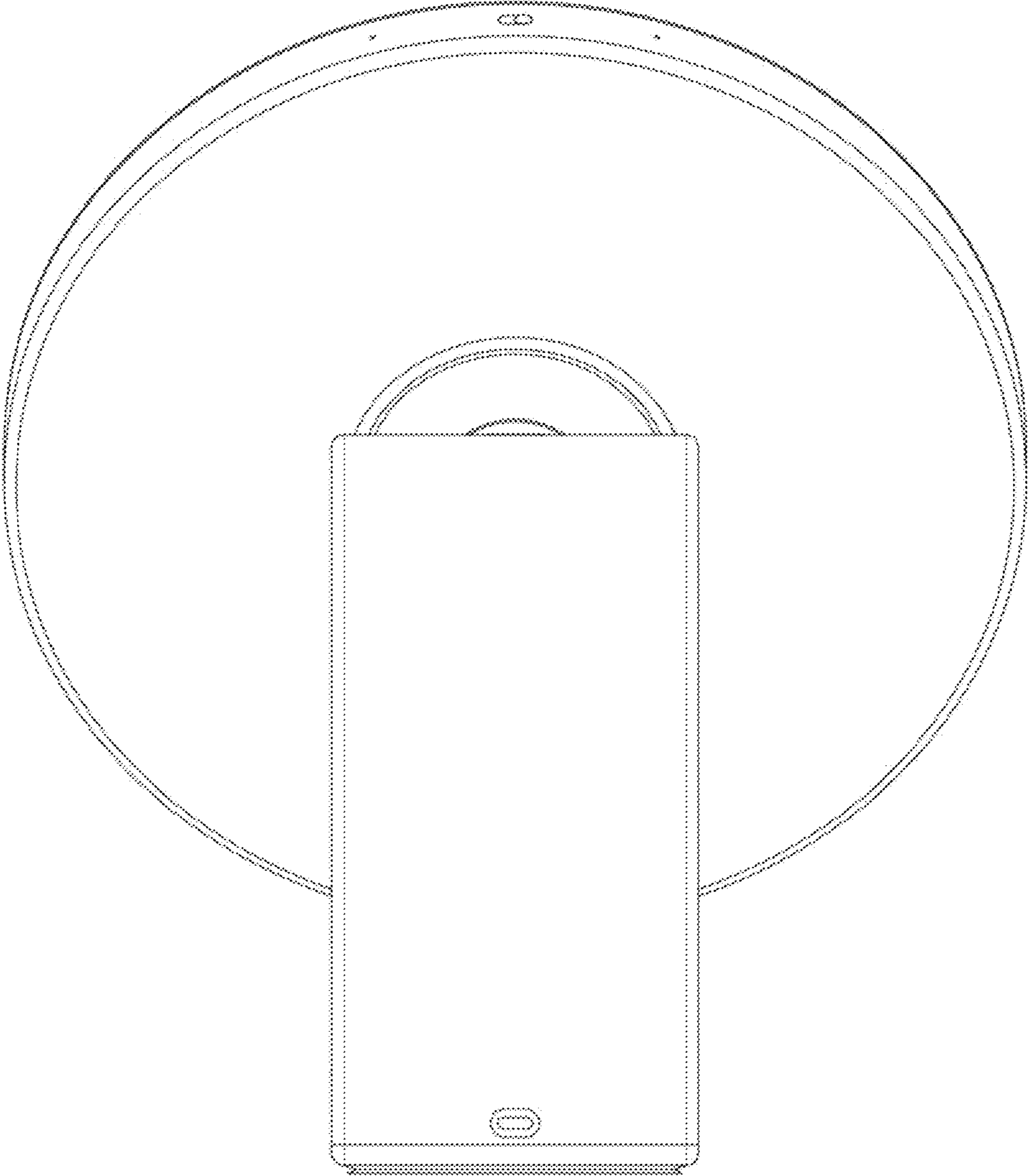
1.1



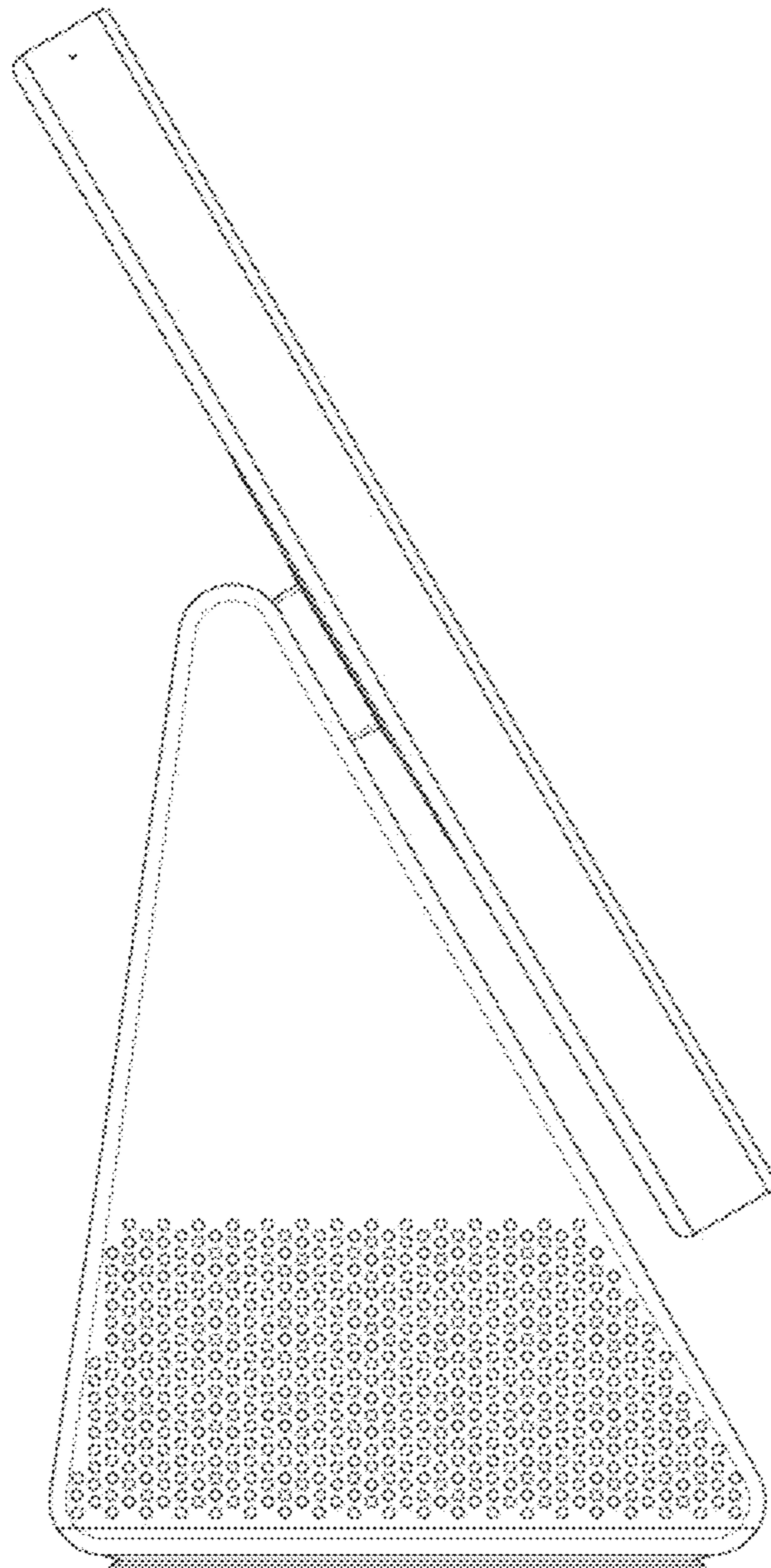
1.2



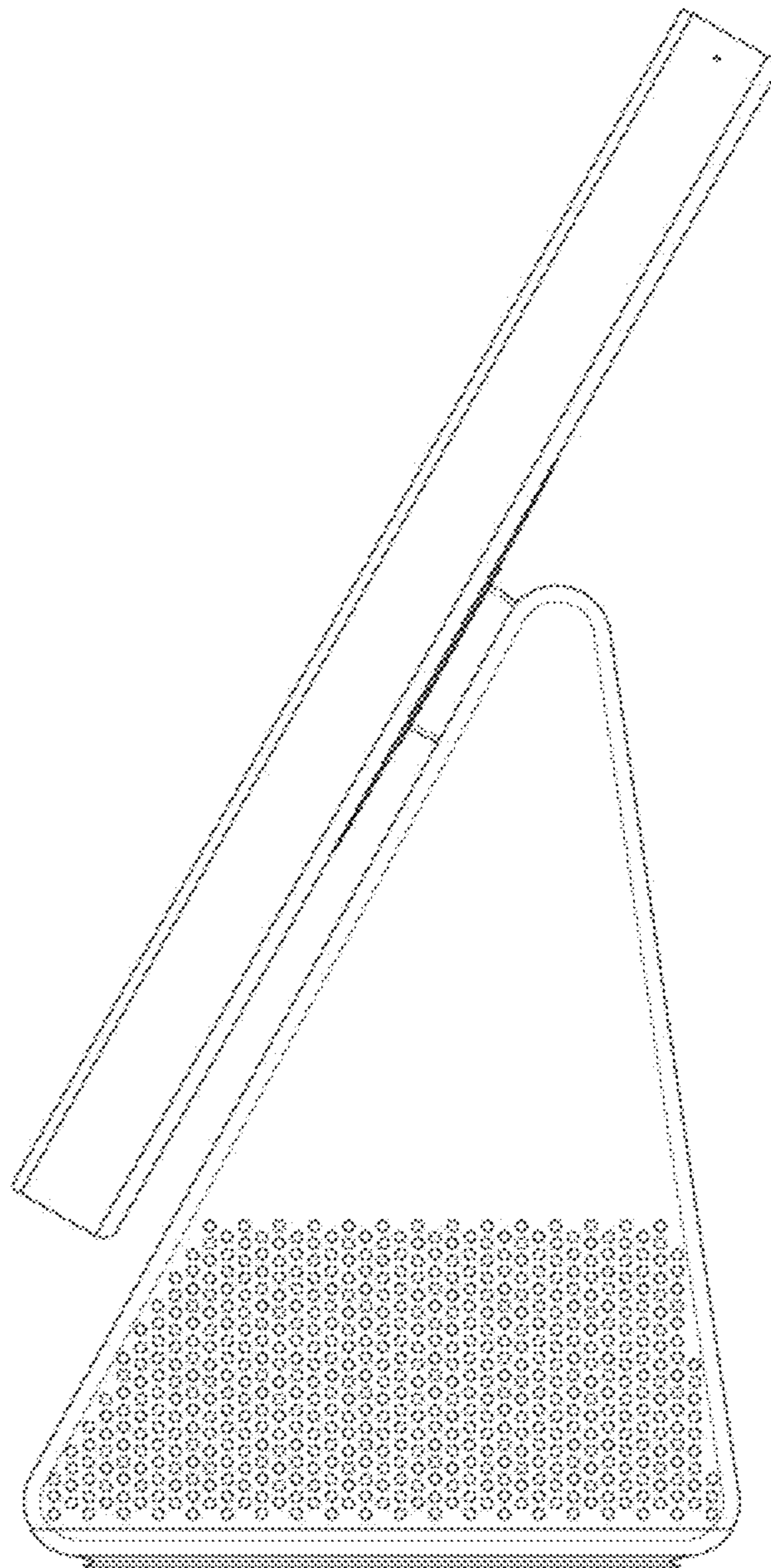
1.3



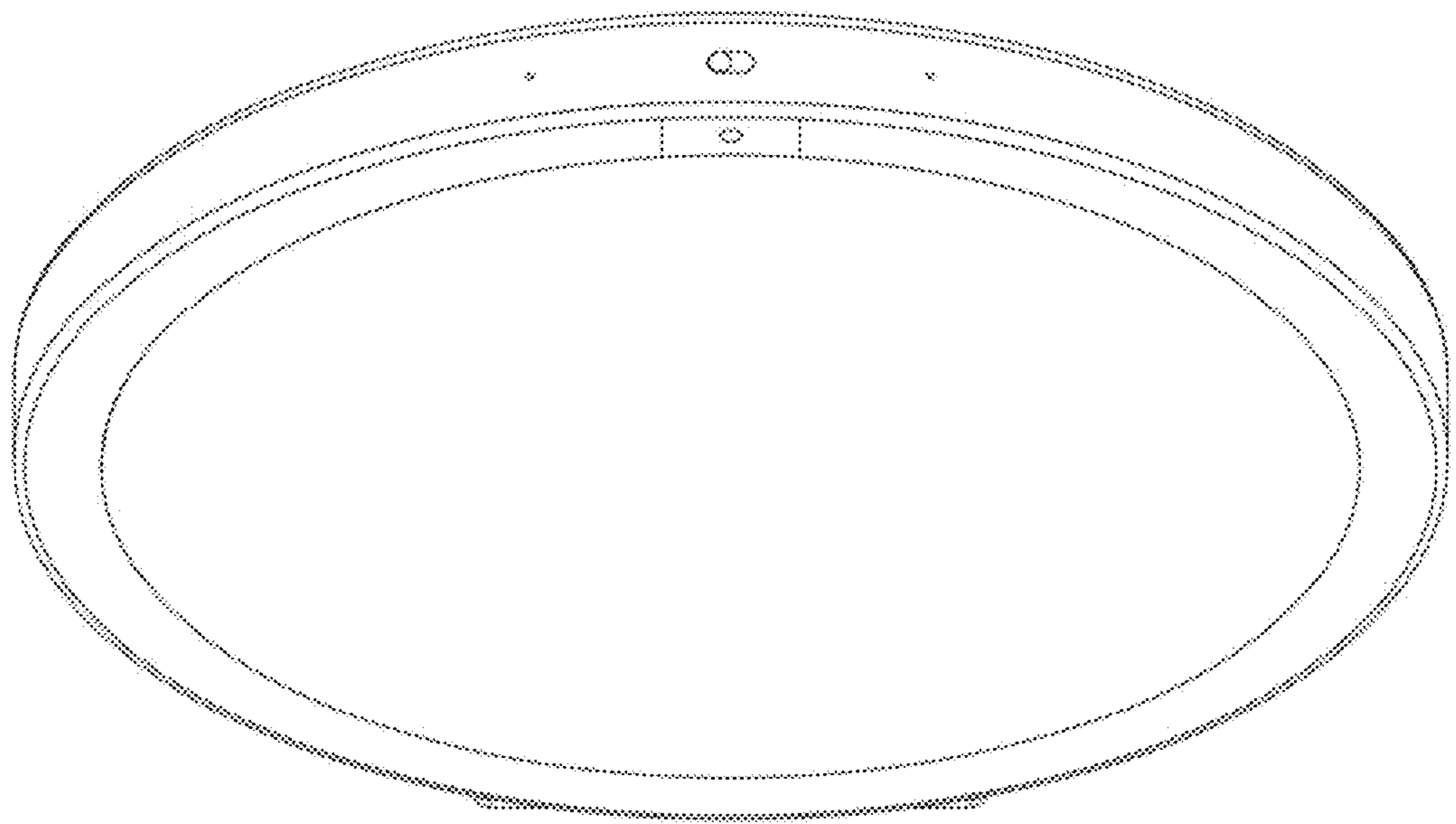
1.4



1.5

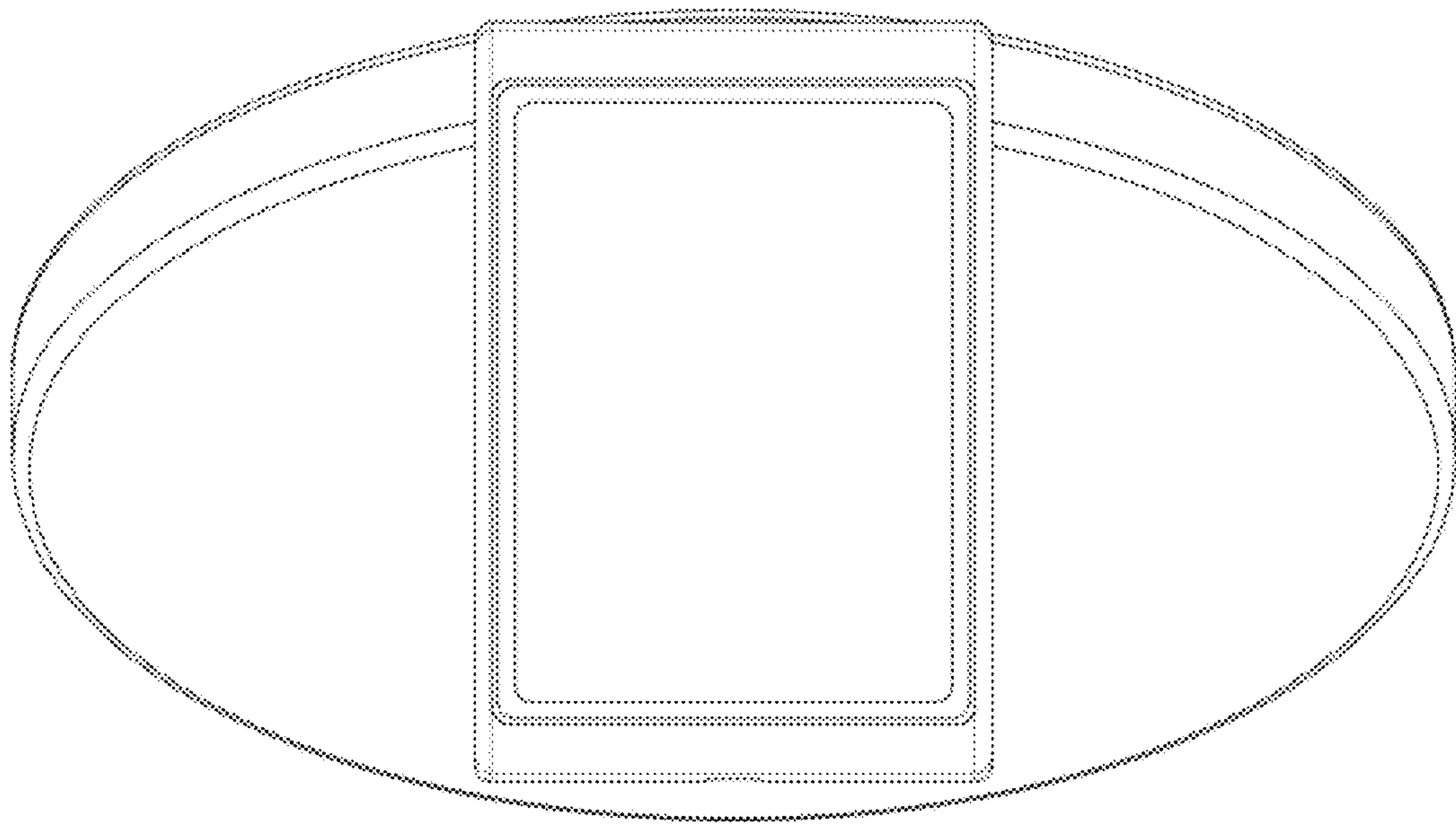


1.6

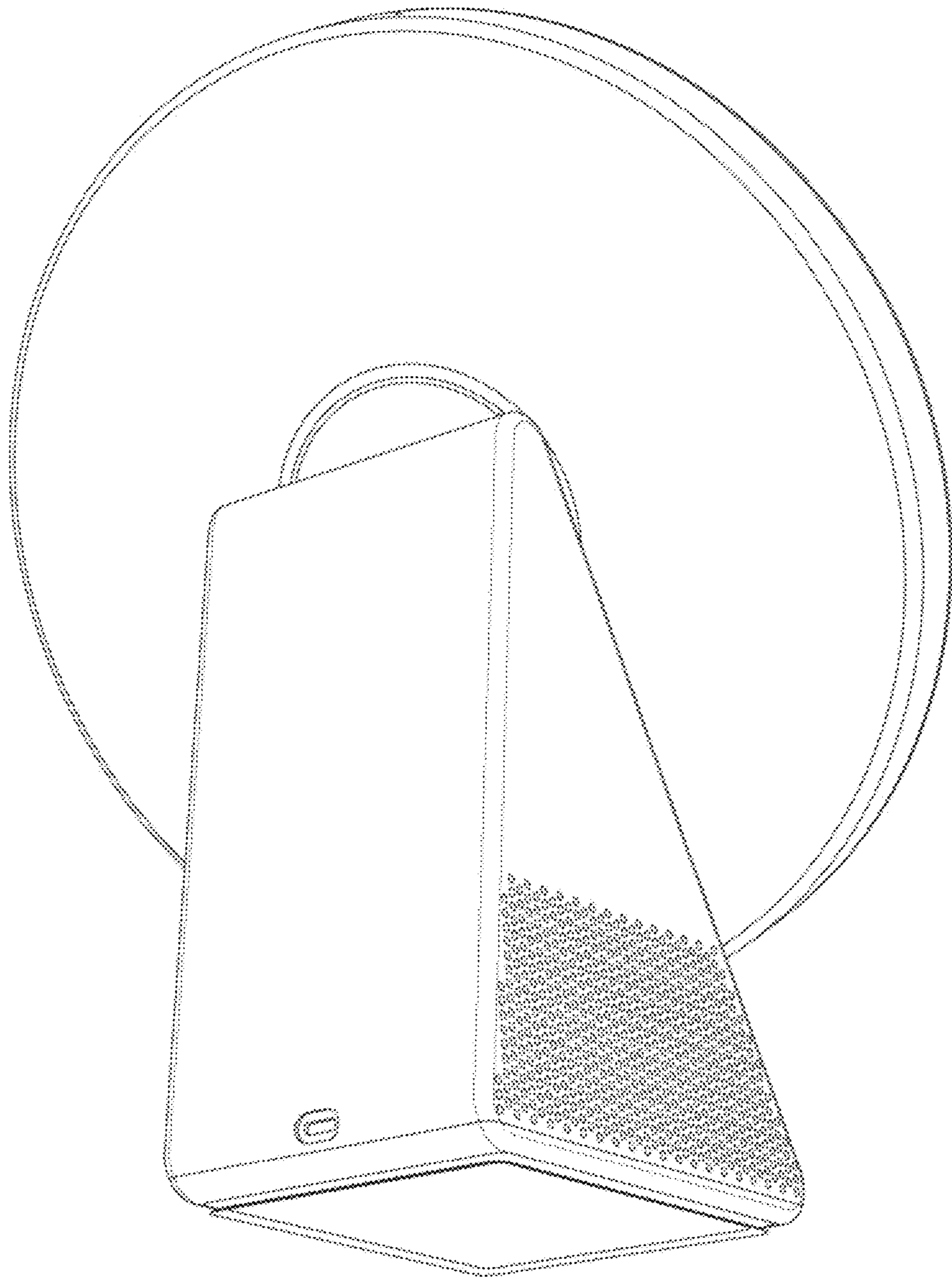




1.7



1.8



1.9

