



US00D970903S

(12) **United States Design Patent**
Cui

(10) **Patent No.:** **US D970,903 S**

(45) **Date of Patent:** **** Nov. 29, 2022**

(54) **LED MAKEUP MIRROR**

(71) Applicant: **Jiangmen Boweini Lighting Technology Co., Ltd., Jiangmen (CN)**

(72) Inventor: **Xiaosong Cui, Jiangmen (CN)**

(73) Assignee: **Jiangmen Boweini Lighting Technology Co., Ltd., Jiangmen (CN)**

(**) Term: **15 Years**

(21) Appl. No.: **29/840,116**

(22) Filed: **May 26, 2022**

(51) **LOC (13) Cl.** **06-07**

(52) **U.S. Cl.**
USPC **D6/308**

(58) **Field of Classification Search**
USPC D6/300–314
CPC .. A47G 1/00; A47G 2001/002; F21V 33/004;
A45D 42/10
See application file for complete search history.

(56) **References Cited**

U.S. PATENT DOCUMENTS

D779,835 S *	2/2017	Zhang	D6/300
D879,480 S *	3/2020	Yang	D6/308
D889,856 S *	7/2020	Liu	D6/310
D895,986 S	9/2020	Yang		
D902,607 S *	11/2020	Liu	D6/310
D918,601 S *	5/2021	Liu	D6/300
D923,945 S *	7/2021	Du	D6/308
D923,947 S *	7/2021	Du	D6/310
D929,749 S *	9/2021	Choi	D6/301
D935,200 S	11/2021	Wang		
D950,255 S *	5/2022	Choi	D6/308
D953,753 S *	6/2022	Holzmann	D6/300

OTHER PUBLICATIONS

“Depuley Makeup Vanity Mirror with Lights, 10X Magnification Hollywood Lighted Mirror with 9 Dimmer Led Bulbs, Plug in Light-up Beauty Mirror, Touch Screen Lighted Table Set Mirror, 360°Rotation(White)” product listing, Amazon. Listed as first available on Dec. 23, 2020. Accessed on Jul. 25, 2022 at www.amazon.com/dp/B08R6QFP38 (Year: 2020).*

* cited by examiner

Primary Examiner — Deanna L Pratt

(74) *Attorney, Agent, or Firm* — Jeenam Park

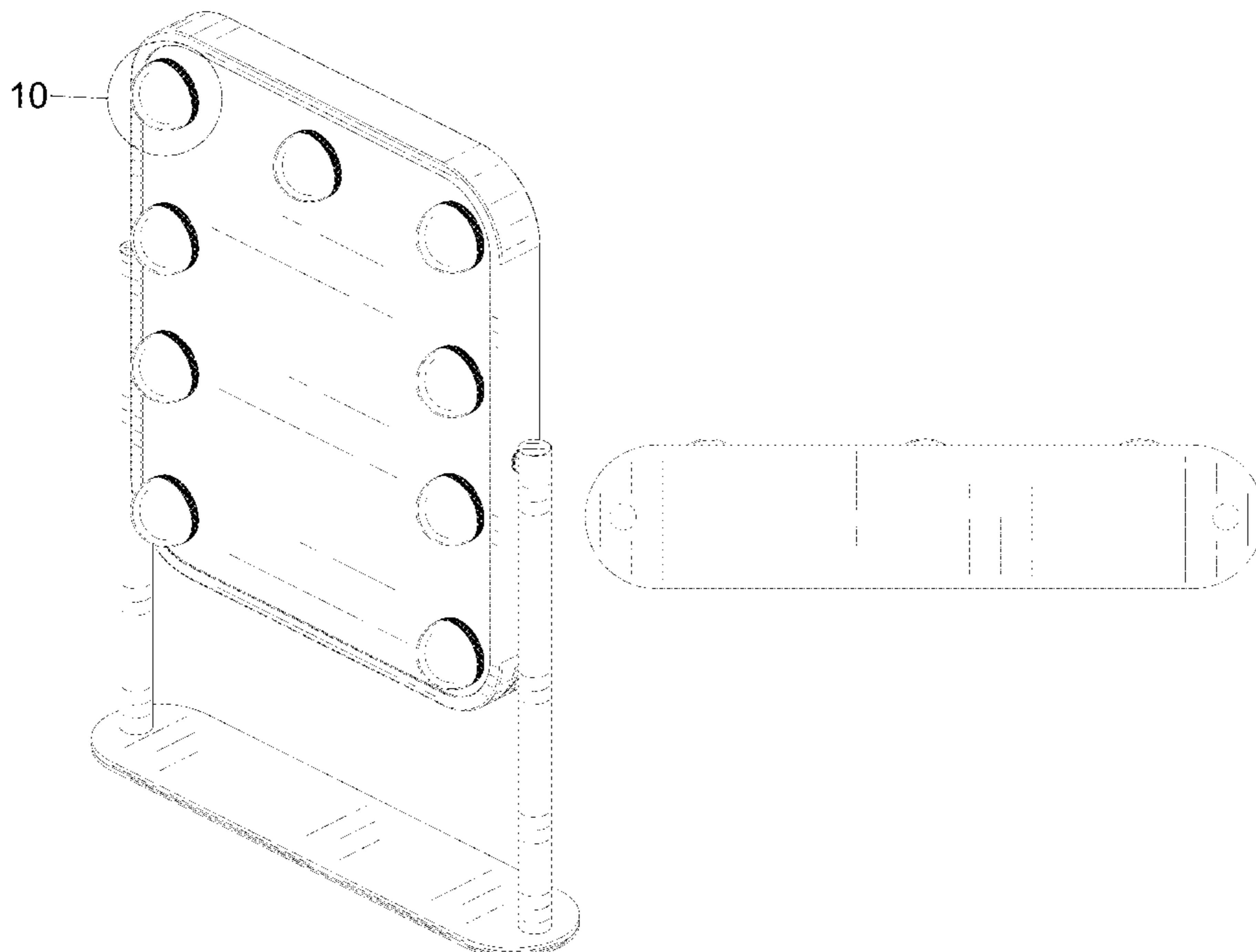
(57) **CLAIM**

The ornamental design for an LED makeup mirror, as shown and described.

DESCRIPTION

FIG. 1 is a perspective view of an LED makeup mirror, showing my new design;
FIG. 2 is a perspective view with a small mirror thereof;
FIG. 3 is another perspective view thereof;
FIG. 4 is a front view thereof;
FIG. 5 is a rear view thereof;
FIG. 6 is a left side view thereof;
FIG. 7 is a right side view thereof;
FIG. 8 is a top plan view thereof;
FIG. 9 is a bottom plan view thereof;
FIG. 10 is an enlarged view of portion of FIG. 1;
FIG. 11 is an enlarged view of portion of FIG. 3; and,
FIG. 12 is an enlarged view of portion of FIG. 6.
The broken lines in the drawings illustrate portions of the LED makeup mirror that form no part of the claimed design.

1 Claim, 12 Drawing Sheets



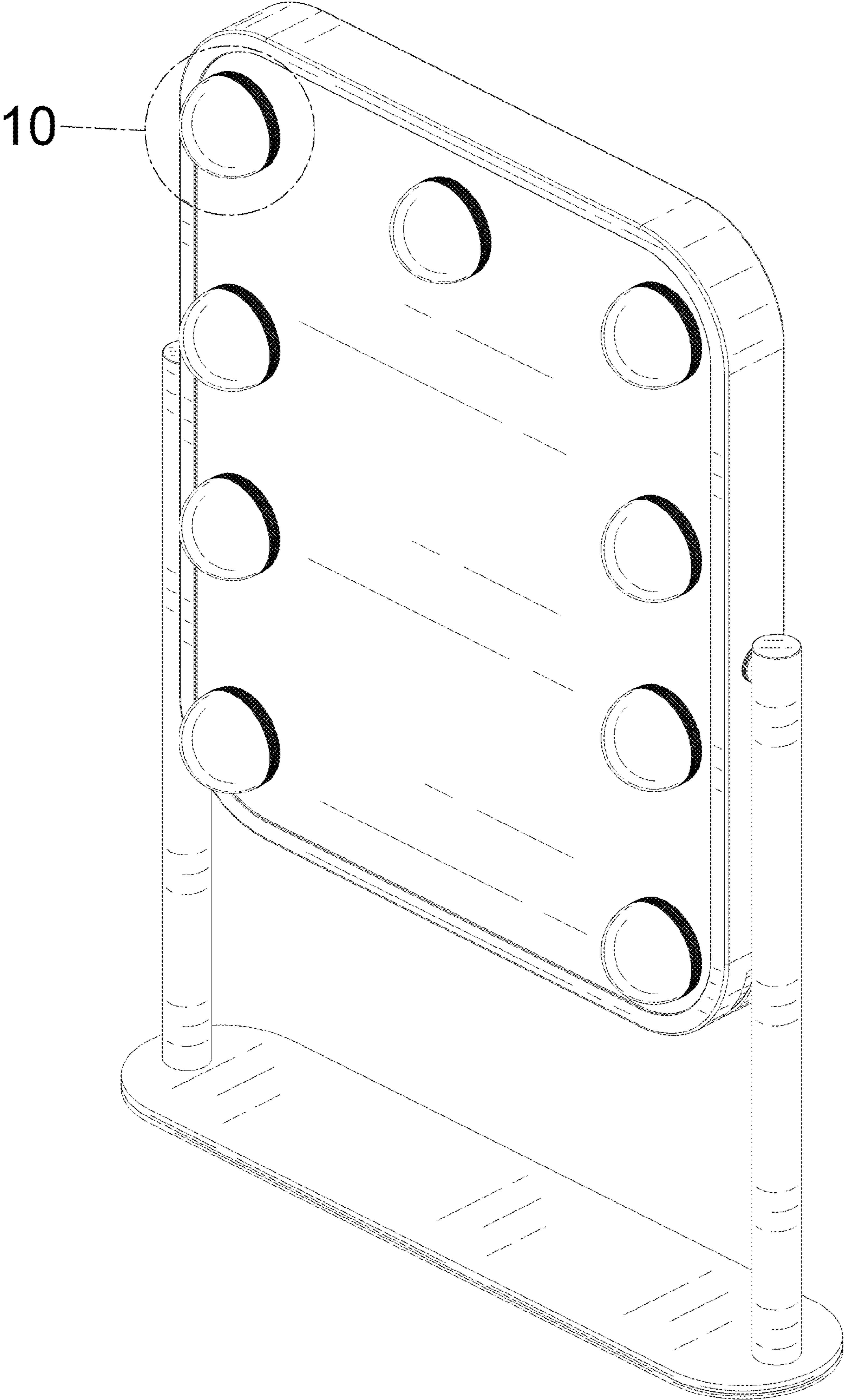


FIG. 1

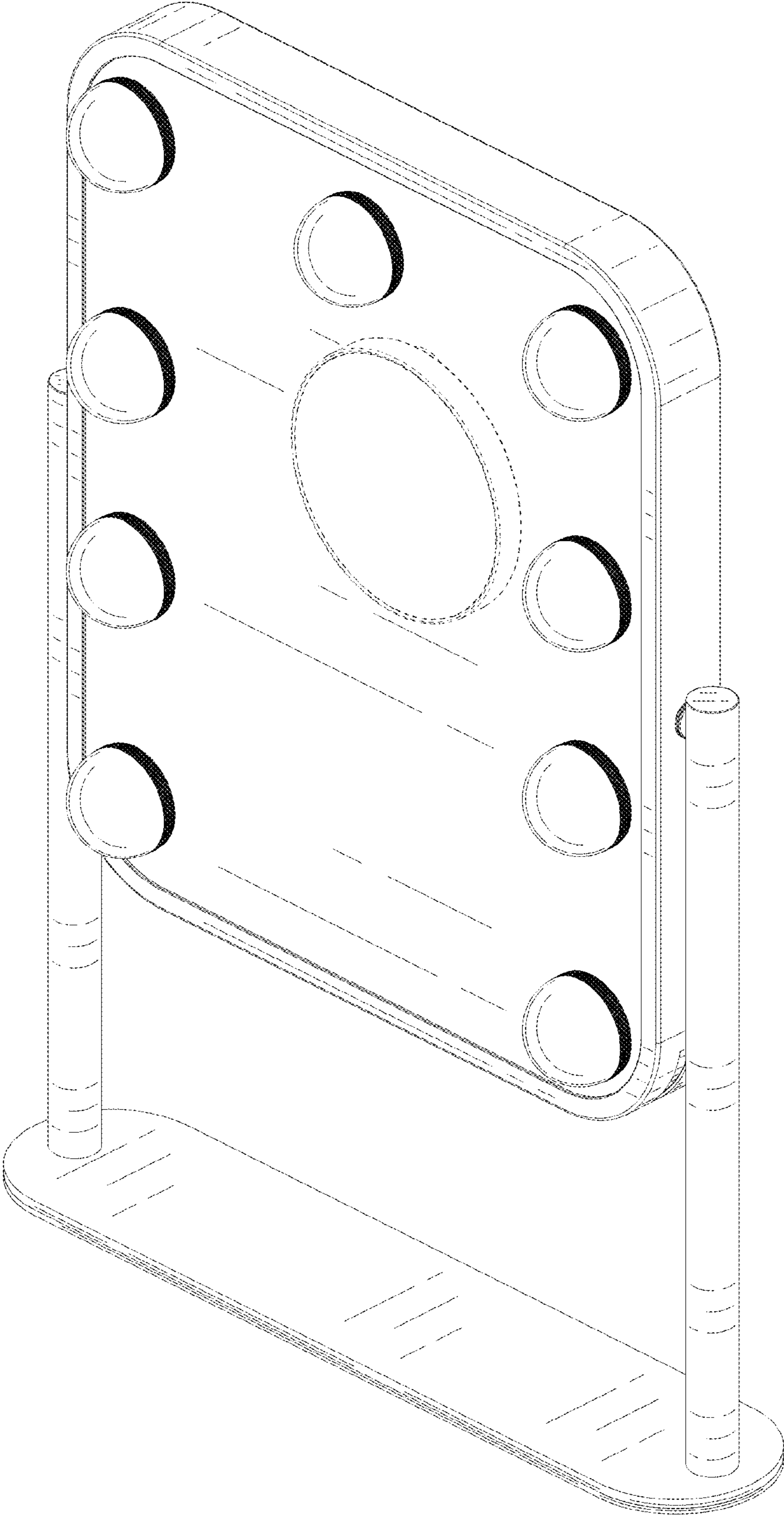


FIG. 2

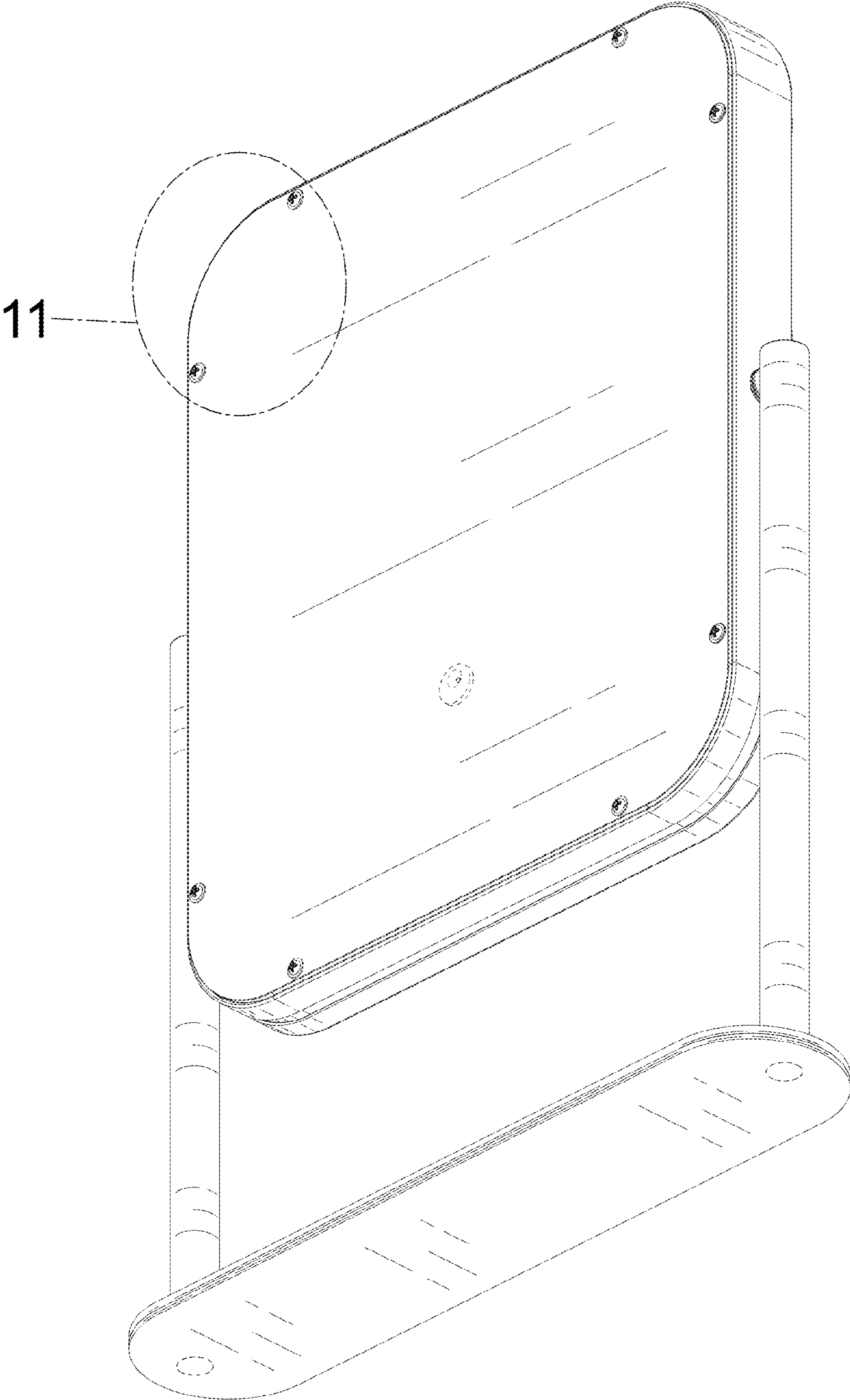


FIG. 3

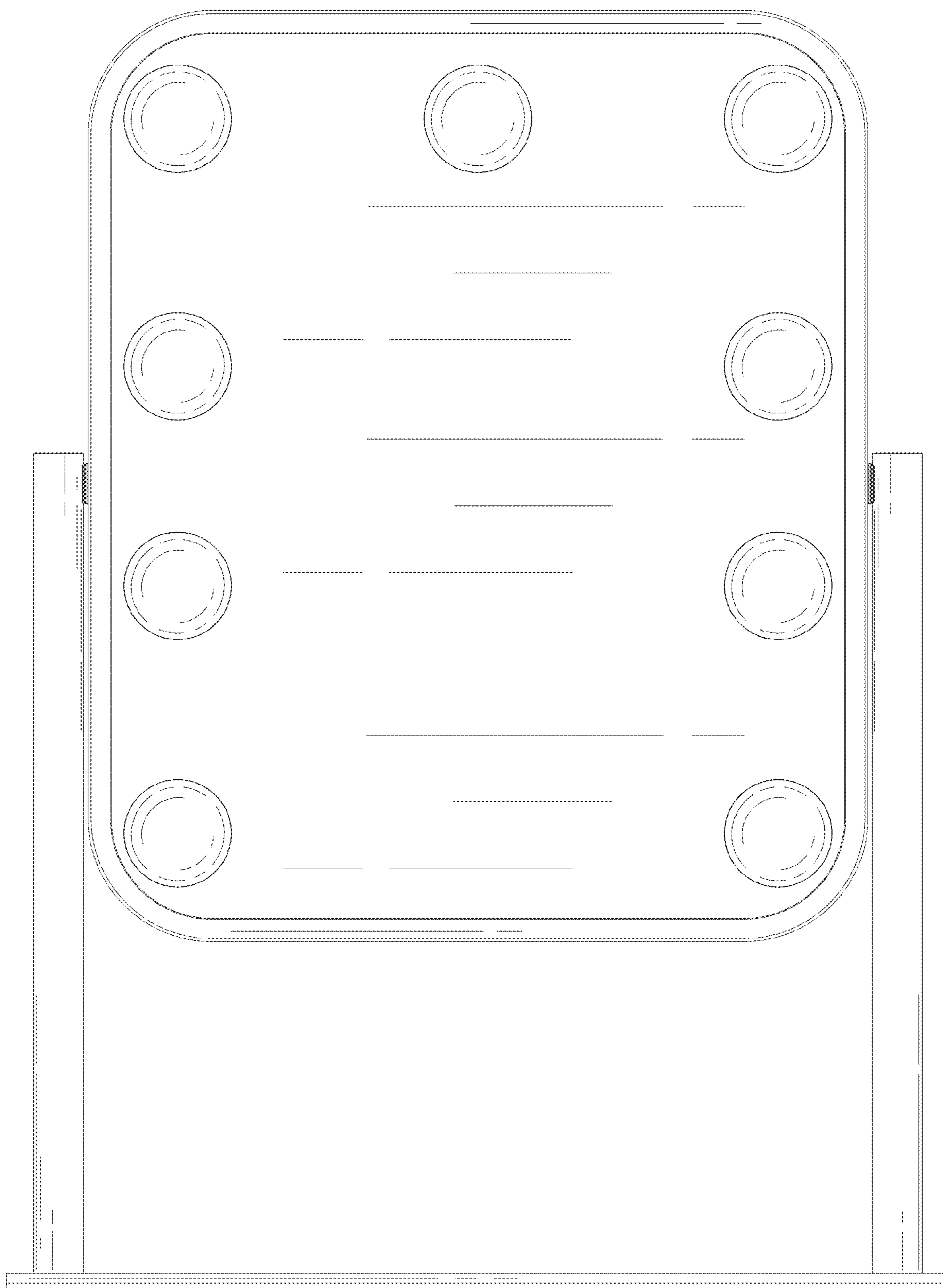


FIG. 4

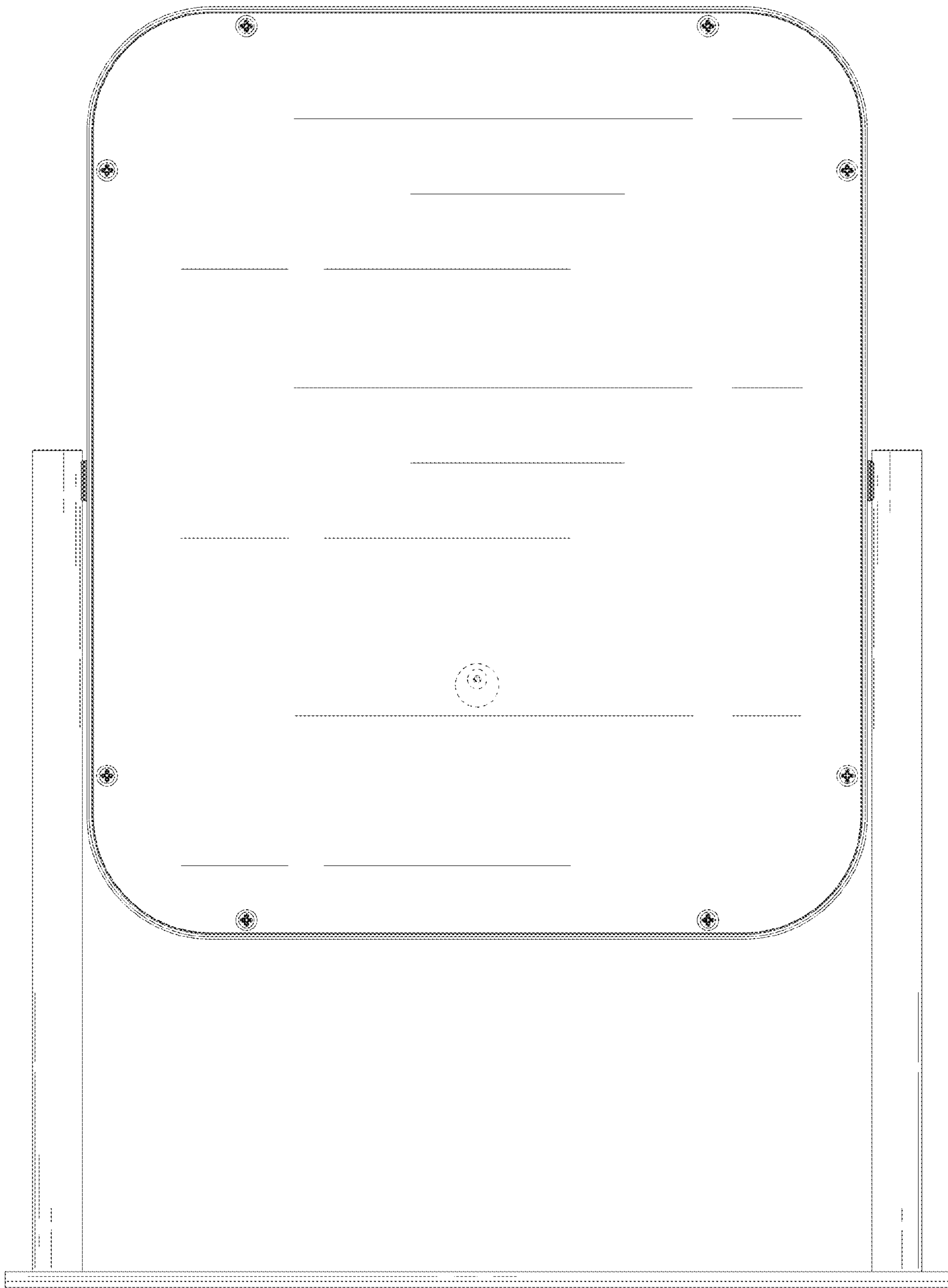


FIG. 5

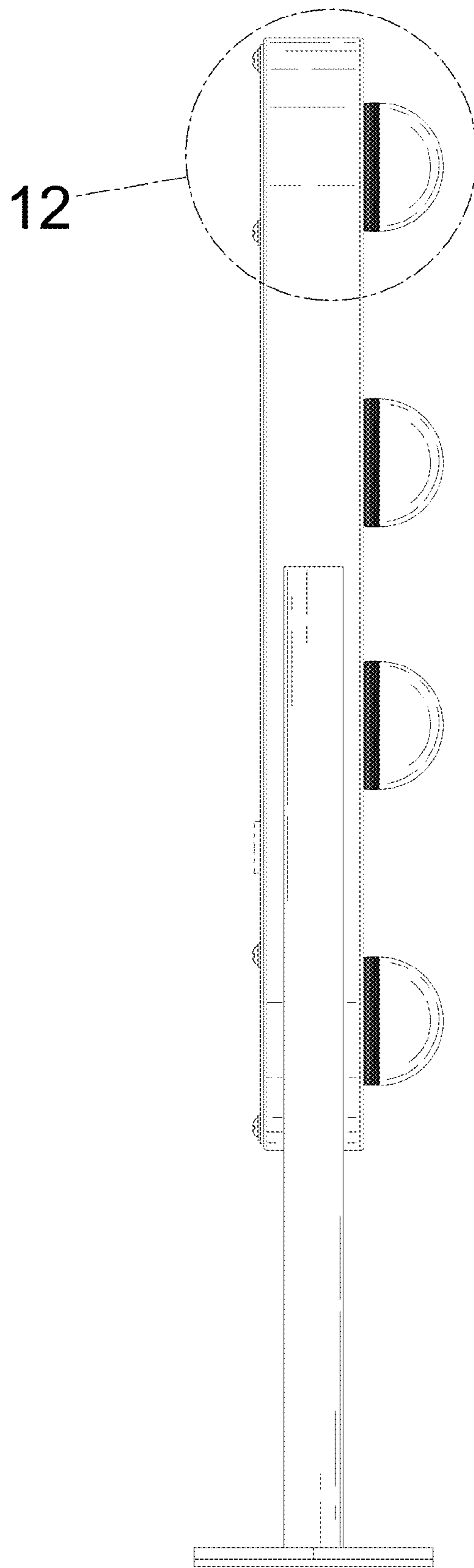


FIG. 6

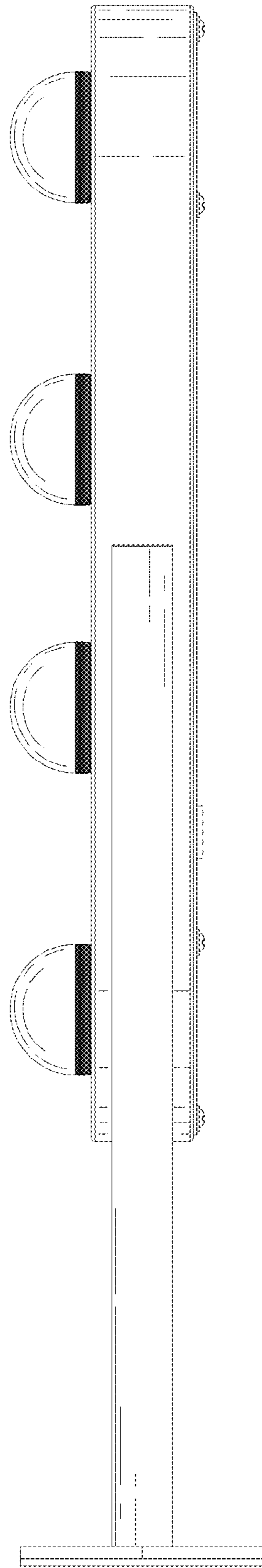


FIG. 7

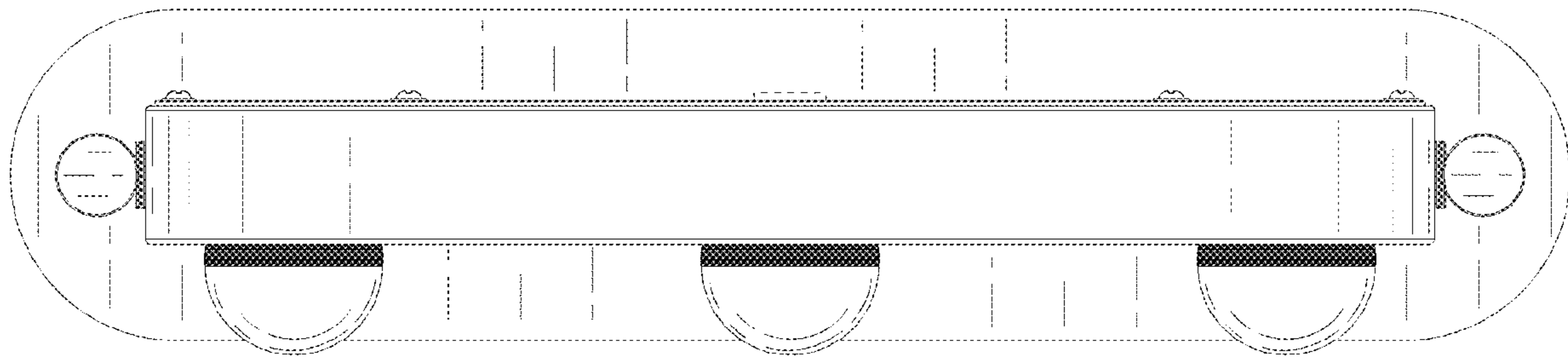


FIG. 8

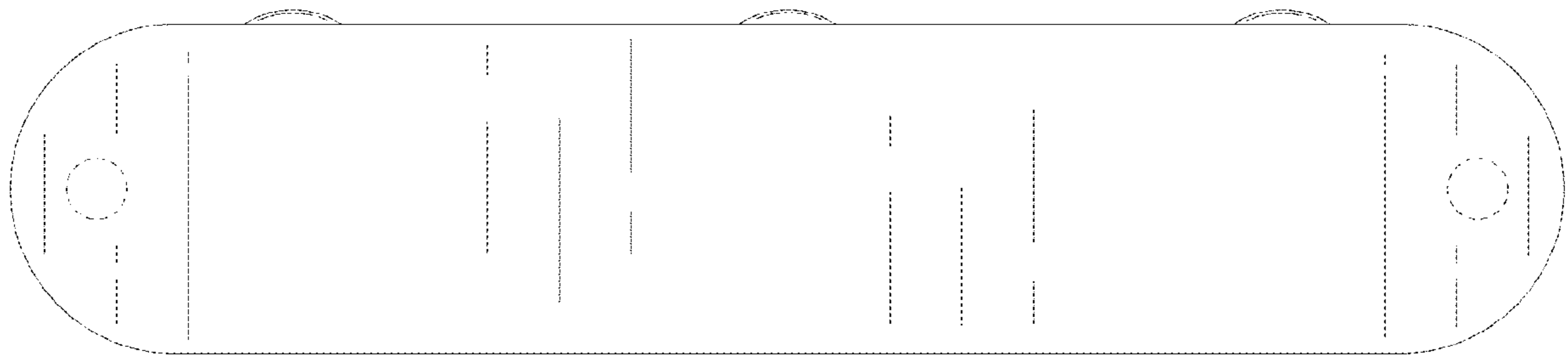


FIG. 9

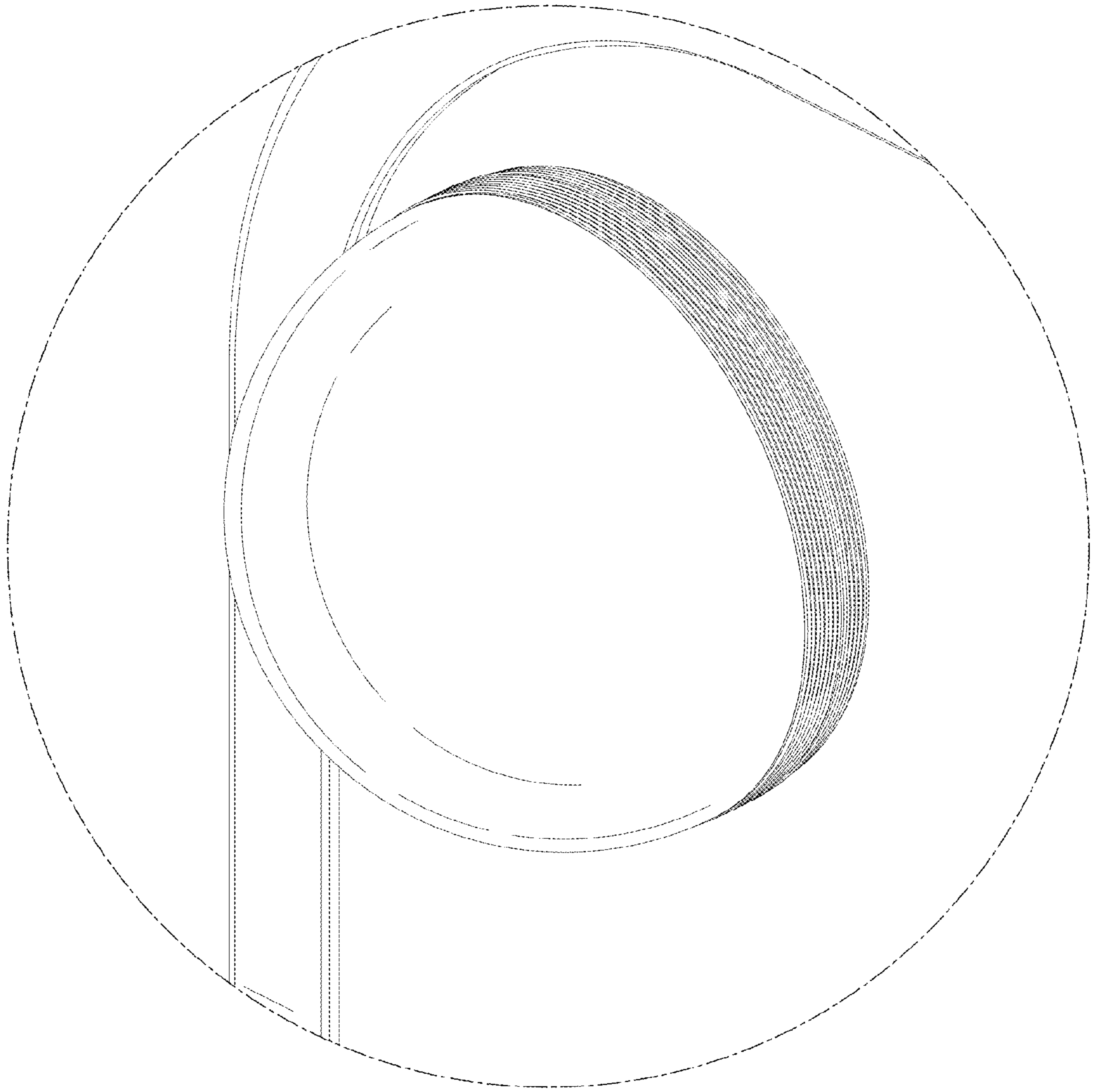


FIG. 10

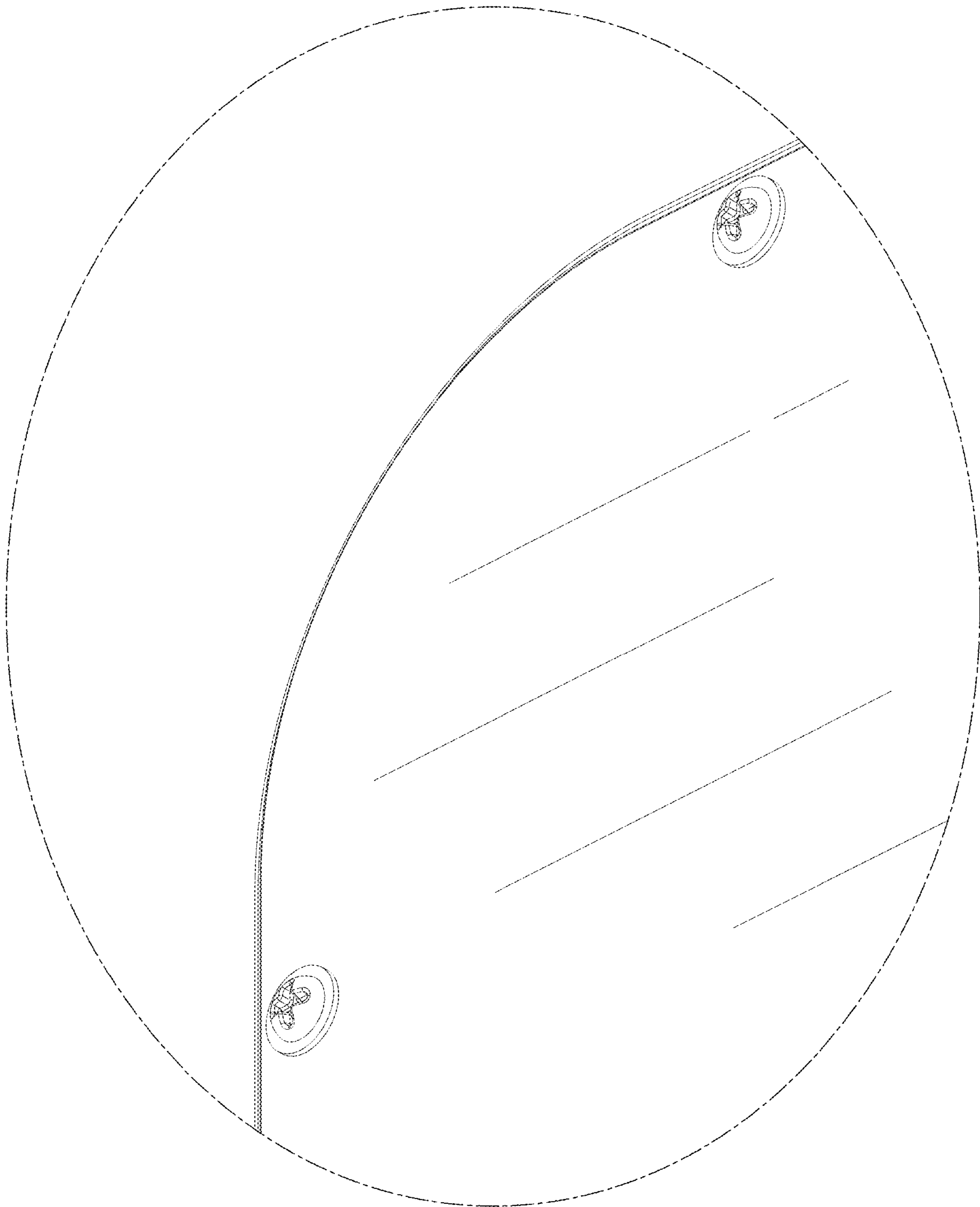


FIG. 11

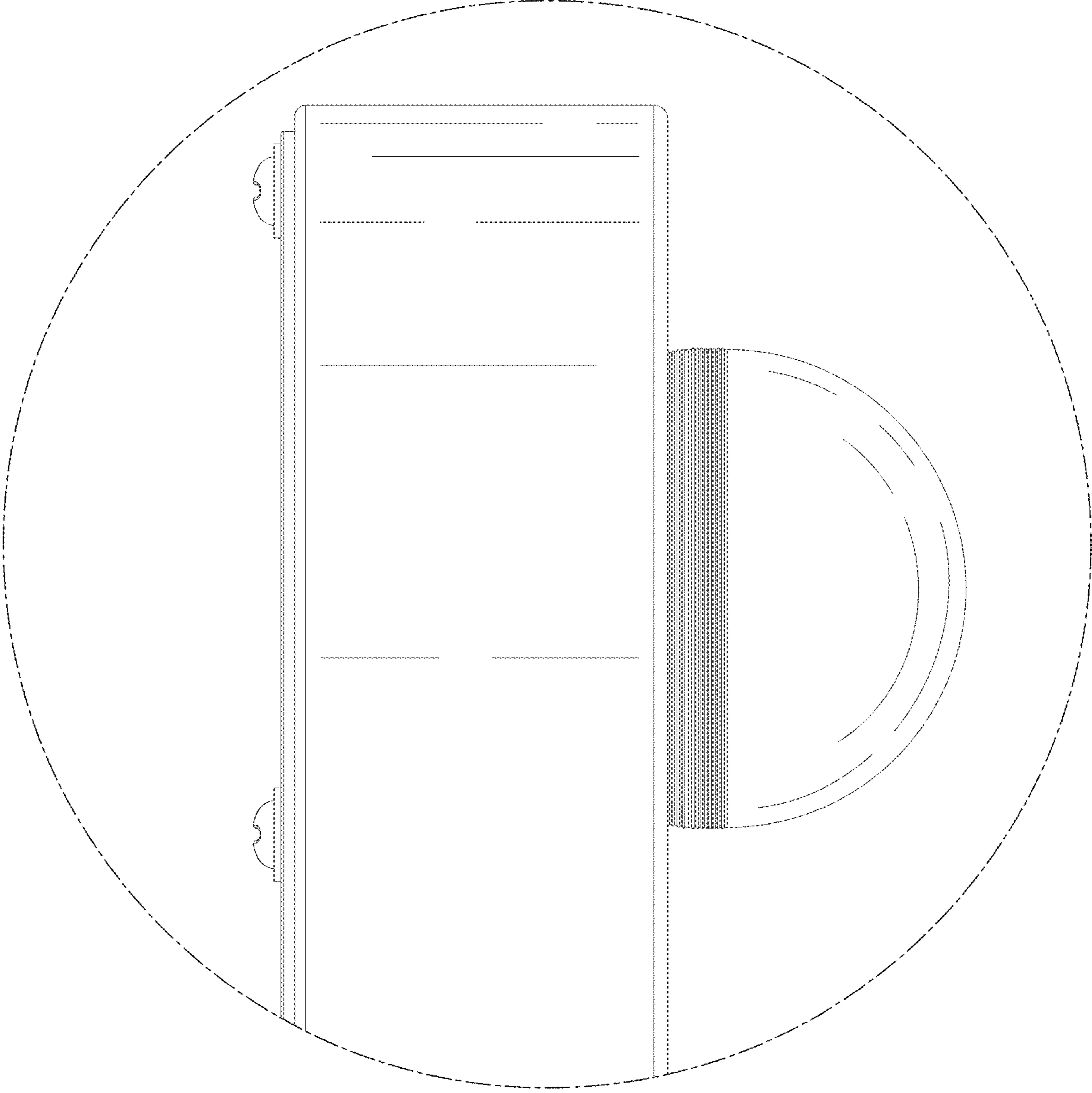


FIG. 12