



US00D970900S

(12) **United States Design Patent** (10) **Patent No.:** **US D970,900 S**
Wang (45) **Date of Patent:** **** Nov. 29, 2022**

(54) **TOILET BRUSH**
(71) Applicant: **Qiyu Wang**, Taizhou (CN)
(72) Inventor: **Qiyu Wang**, Taizhou (CN)
(**) Term: **15 Years**
(21) Appl. No.: **29/840,099**
(22) Filed: **May 26, 2022**
(51) **LOC (13) Cl.** **04-02**
(52) **U.S. Cl.**
USPC **D4/132**
(58) **Field of Classification Search**
USPC D4/114–115, 116–118, 121–122,
D4/127–128, 130–135, 136–138, 120;
D6/524, 551; D32/14
CPC A47K 3/001; A47K 17/00; A47K 11/10;
A46B 7/04; A46B 7/042
See application file for complete search history.

D878,058 S * 3/2020 Luo D4/132
D927,219 S * 8/2021 Lin D4/116
D927,220 S * 8/2021 Lin D4/116
D946,927 S * 3/2022 Wang D6/551
D951,654 S * 5/2022 Omdahl, II D4/131
D952,352 S * 5/2022 Yu D4/116
D953,041 S * 5/2022 Chen D4/110
2015/0121637 A1* 5/2015 Brenner B08B 1/00
15/104.94
2020/0187731 A1* 6/2020 Luo A47K 17/00

FOREIGN PATENT DOCUMENTS

GB 6210520 * 5/2022
WO D209765-006 * 8/2020

* cited by examiner

Primary Examiner — Rebekah A Caruso
(74) *Attorney, Agent, or Firm* — Rumit Ranjit Kanakia

(57) **CLAIM**

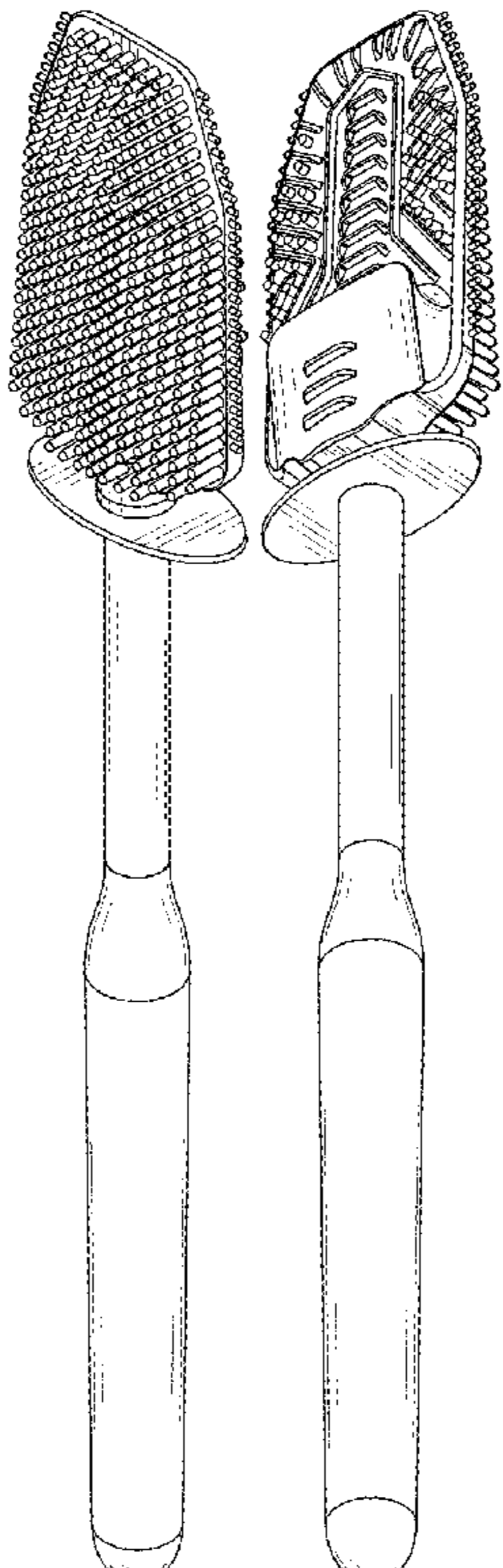
The ornamental design for a toilet brush, as shown and described.

DESCRIPTION

FIG. 1 is a first perspective view of a toilet brush showing my new design;
FIG. 2 is a second perspective view thereof;
FIG. 3 is a front view thereof;
FIG. 4 is a back view thereof;
FIG. 5 is a left side view thereof;
FIG. 6 is a right side view thereof;
FIG. 7 is a top view thereof; and,
FIG. 8 is a bottom view thereof.

1 Claim, 8 Drawing Sheets

(56) **References Cited**
U.S. PATENT DOCUMENTS
D266,035 S * 9/1982 Thompson D4/128
D281,123 S * 10/1985 Frassanito D4/114
D313,123 S * 12/1990 Hayes D4/114
D448,176 S * 9/2001 Petner D4/119
D468,539 S * 1/2003 Petner D4/133
D576,801 S * 9/2008 Dretzka D4/116
D643,630 S 8/2011 Raven
D761,568 S 7/2016 Harrington
D832,590 S * 11/2018 Joseph D4/120
D860,654 S * 9/2019 Bram D4/128



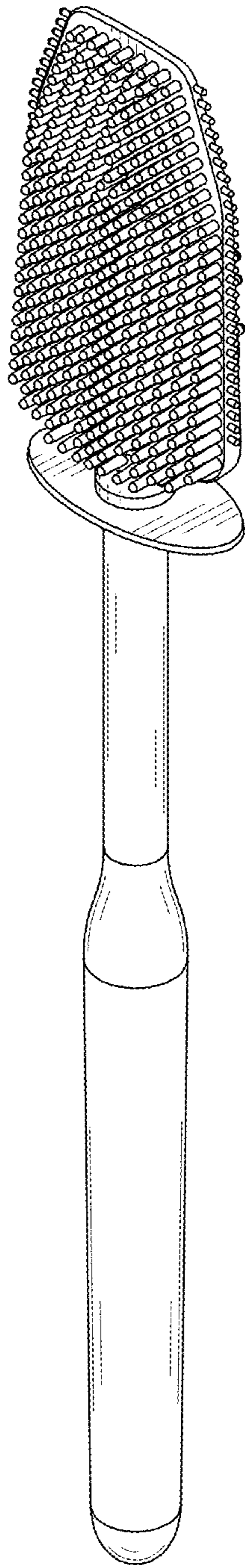


FIG. 1

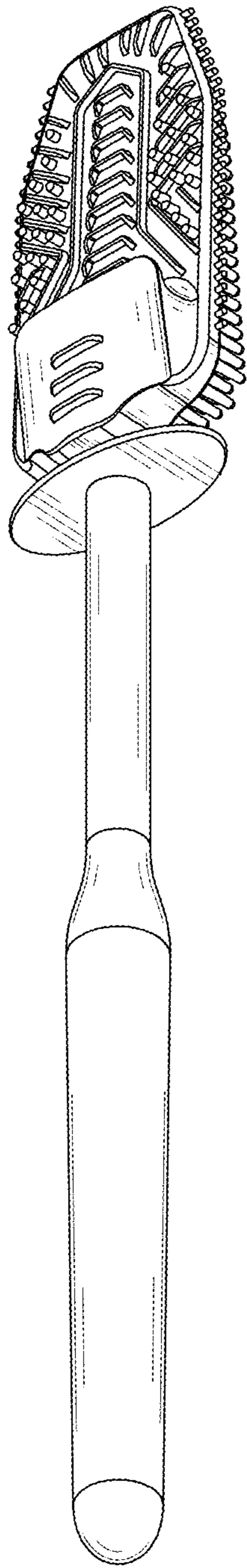


FIG. 2

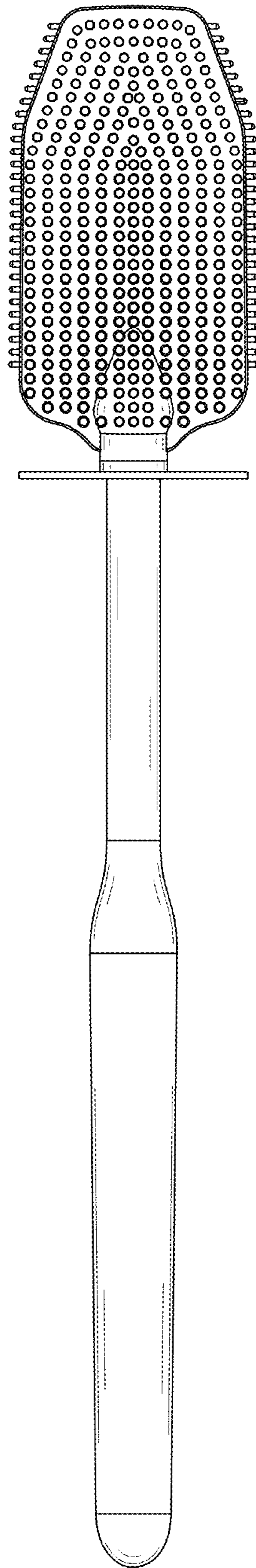


FIG. 3

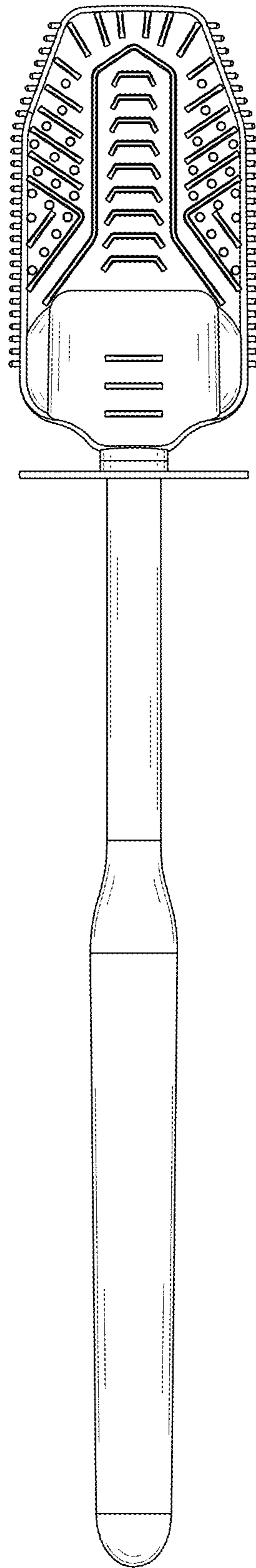


FIG. 4

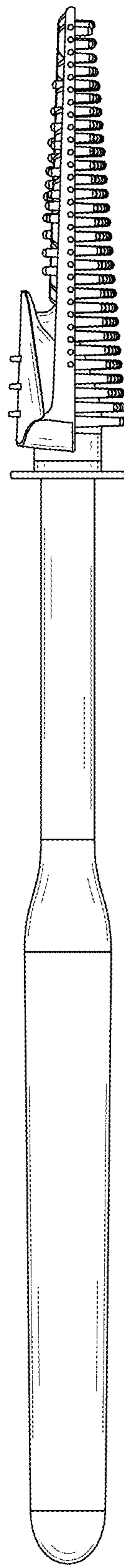


FIG. 5

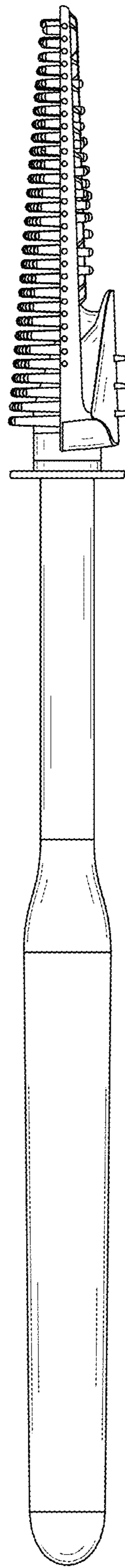


FIG. 6

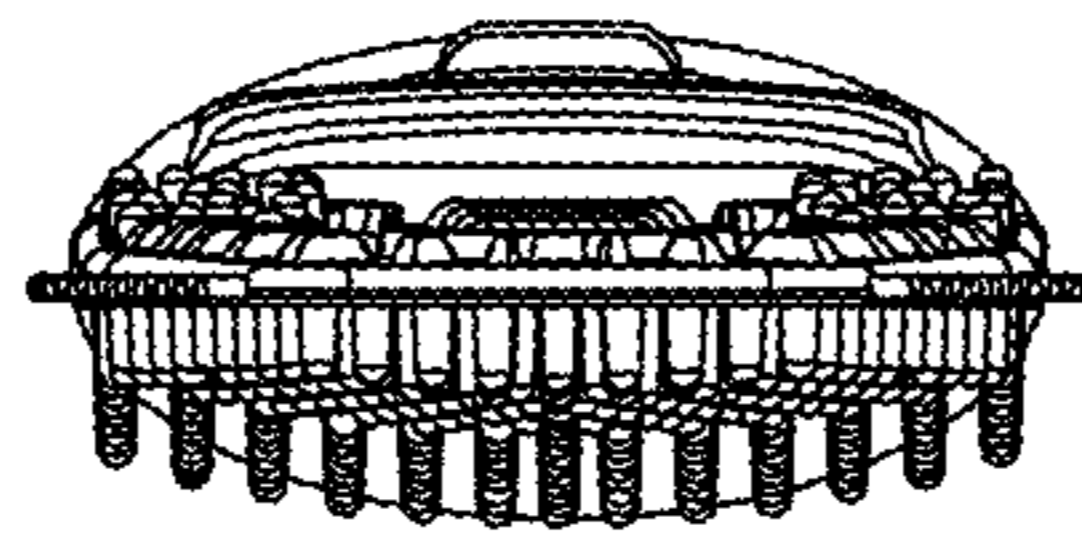


FIG. 7

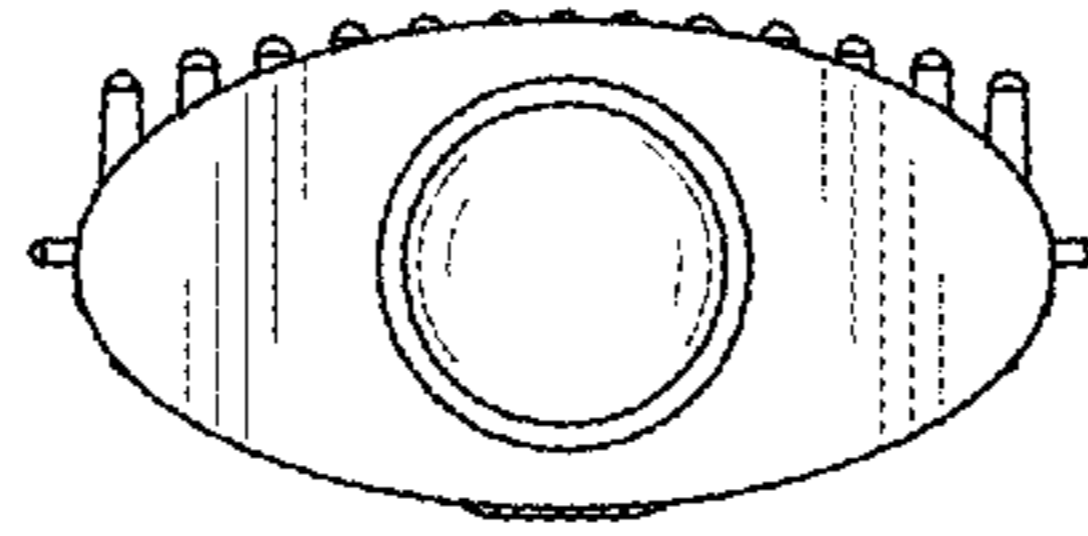


FIG. 8