



US00D970899S

(12) **United States Design Patent** (10) **Patent No.:** **US D970,899 S**
Roe (45) **Date of Patent:** **** Nov. 29, 2022**

(54) **ROLLER COVER ADAPTER**
(71) Applicant: **Australian Brushware Corporation**
PTY LTD, Hawthorn East (AU)
(72) Inventor: **Matthew Roe**, Hawthorn East (AU)
(73) Assignee: **Australian Brushware Corporation**
PTY LTD, Hawthorn East (AU)

5,921,905 A * 7/1999 Newman, Jr. B05C 17/0217
492/13
5,987,692 A * 11/1999 Sizemore B05C 17/0237
15/230.11
D512,568 S * 12/2005 Cho D4/122
D557,409 S * 12/2007 Veliss D24/110.1
D616,650 S * 6/2010 Saadian D4/122
7,819,357 B2 * 10/2010 Fox B65H 75/245
156/577
D712,156 S * 9/2014 Arvinte D4/122

(**) Term: **15 Years**
(21) Appl. No.: **29/628,902**
(22) Filed: **Dec. 8, 2017**

(Continued)
Primary Examiner — Sheryl Lane
Assistant Examiner — Ieisha N Price
(74) *Attorney, Agent, or Firm* — Buchanan Ingersoll &
Rooney PC

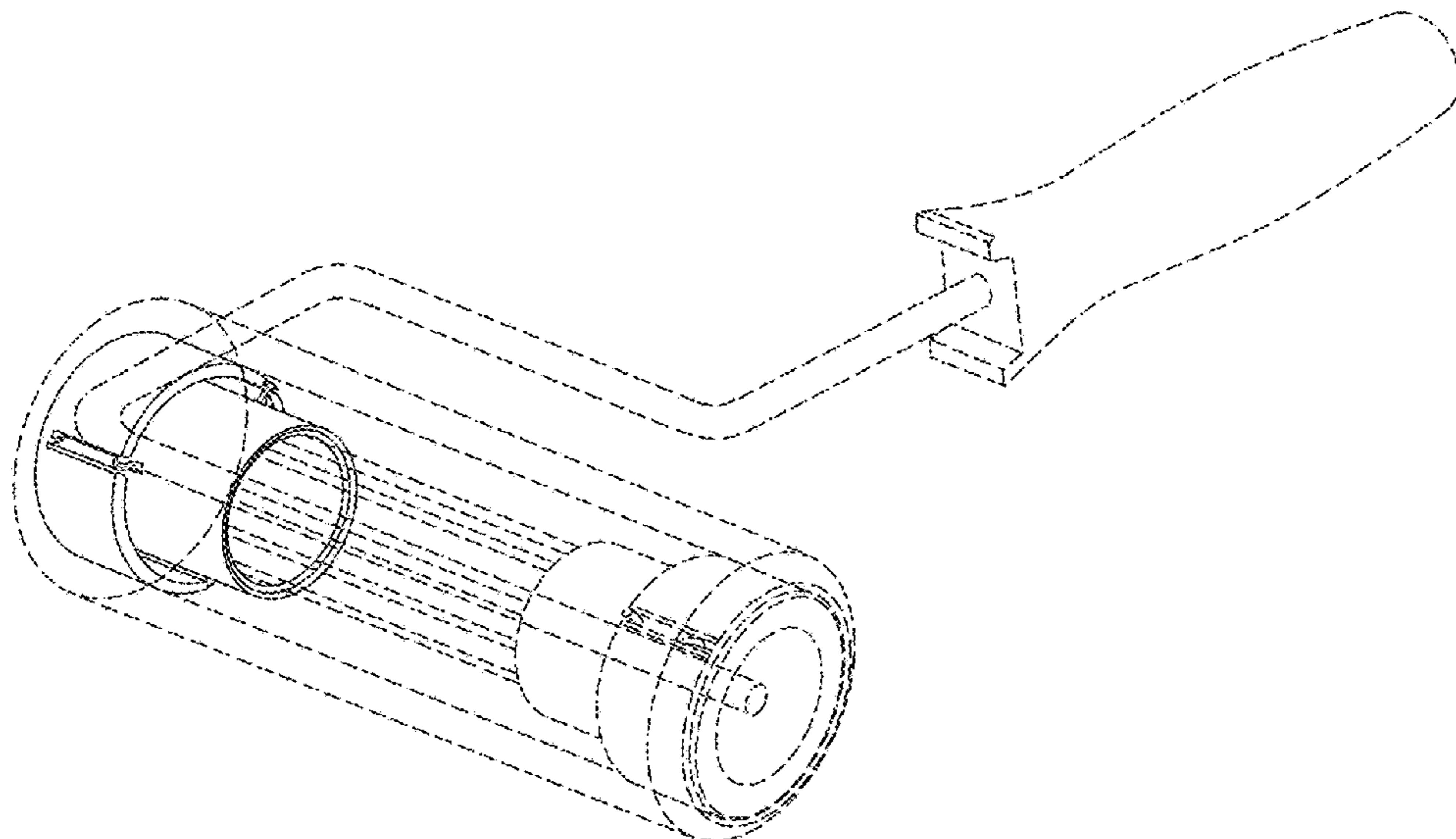
(30) **Foreign Application Priority Data**
Jun. 9, 2017 (AU) 201713506
(51) **LOC (13) Cl.** **04-01**
(52) **U.S. Cl.**
USPC **D4/122**
(58) **Field of Classification Search**
USPC D4/122, 128, 138; D8/349, 354, 396
CPC ... B05C 17/02; B05C 17/023; B05C 17/0205;
B05C 17/0217; B05C 17/0222
See application file for complete search history.

(57) **CLAIM**
The ornamental design for a roller cover adapter, as shown
and described.

(56) **References Cited**
U.S. PATENT DOCUMENTS
2,891,301 A * 6/1959 Conklin B05C 17/02
492/19
2,977,671 A * 4/1961 Wiegand B05C 17/02
492/19
4,154,545 A * 5/1979 Pinto B05C 17/0205
15/144.4
4,198,723 A * 4/1980 Hiller B05C 17/02
15/230.11
5,795,279 A * 8/1998 Shieh B05C 17/025
15/230.11
5,846,176 A * 12/1998 Zieger B05C 17/02
492/13

DESCRIPTION
FIG. 1 is a perspective view of a roller cover adapter
according to our design;
FIG. 2 is a front view thereof;
FIG. 3 is a back view thereof;
FIG. 4 is top view thereof;
FIG. 5 is a bottom view thereof;
FIG. 6 is a side view thereof;
FIG. 7 is an environmental perspective view of a roller cover
adapter shown in use on a roller frame and surrounded by a
roller cover; and,
FIG. 8 is an environmental side view of the roller cover
adapter.
The features shown in broken lines in FIG. 3 depict optional
structure and form no part of the claimed design. The roller
frame and roller cover, shown in broken lines in FIG. 7 and
FIG. 8 of the drawings, merely depict the environment of use
of the roller cover adapter and do not form part of the
claimed design.

1 Claim, 8 Drawing Sheets



(56)

References Cited

U.S. PATENT DOCUMENTS

8,851,784 B2 * 10/2014 Donohue B25G 1/04
 403/109.1
 D744,759 S * 12/2015 Arvinte D4/122
 D813,552 S * 3/2018 Katsuma D4/122
 2004/0128796 A1 * 7/2004 Ta B05C 17/0205
 16/427
 2004/0168276 A1 * 9/2004 Lye B05C 17/0217
 15/230.11
 2006/0085936 A1 * 4/2006 Bruggeman B05C 17/02
 15/230.11
 2006/0218752 A1 * 10/2006 Potempa B05C 17/0205
 16/429
 2006/0222448 A1 * 10/2006 Atterbury B05C 17/035
 401/219
 2007/0017050 A1 * 1/2007 Lye B05C 17/0217
 15/230.11
 2007/0050935 A1 * 3/2007 Charbeneau B05C 17/0217
 15/230.11
 2009/0064434 A1 * 3/2009 Mallaridas B05C 17/0217
 15/144.4
 2009/0133207 A1 * 5/2009 Dale B05C 17/0217
 15/230.11
 2012/0087712 A1 * 4/2012 Walker B05C 17/003
 401/143
 2014/0304934 A1 * 10/2014 Troudt B44D 3/126
 15/230.11
 2016/0001318 A1 * 1/2016 Nespoli B05C 17/0205
 15/230.11
 2017/0326582 A1 * 11/2017 Page B05C 17/02
 2018/0272380 A1 * 9/2018 Apelstedt B05C 17/02
 2018/0304300 A1 * 10/2018 Arvinte B05C 17/0217

* cited by examiner

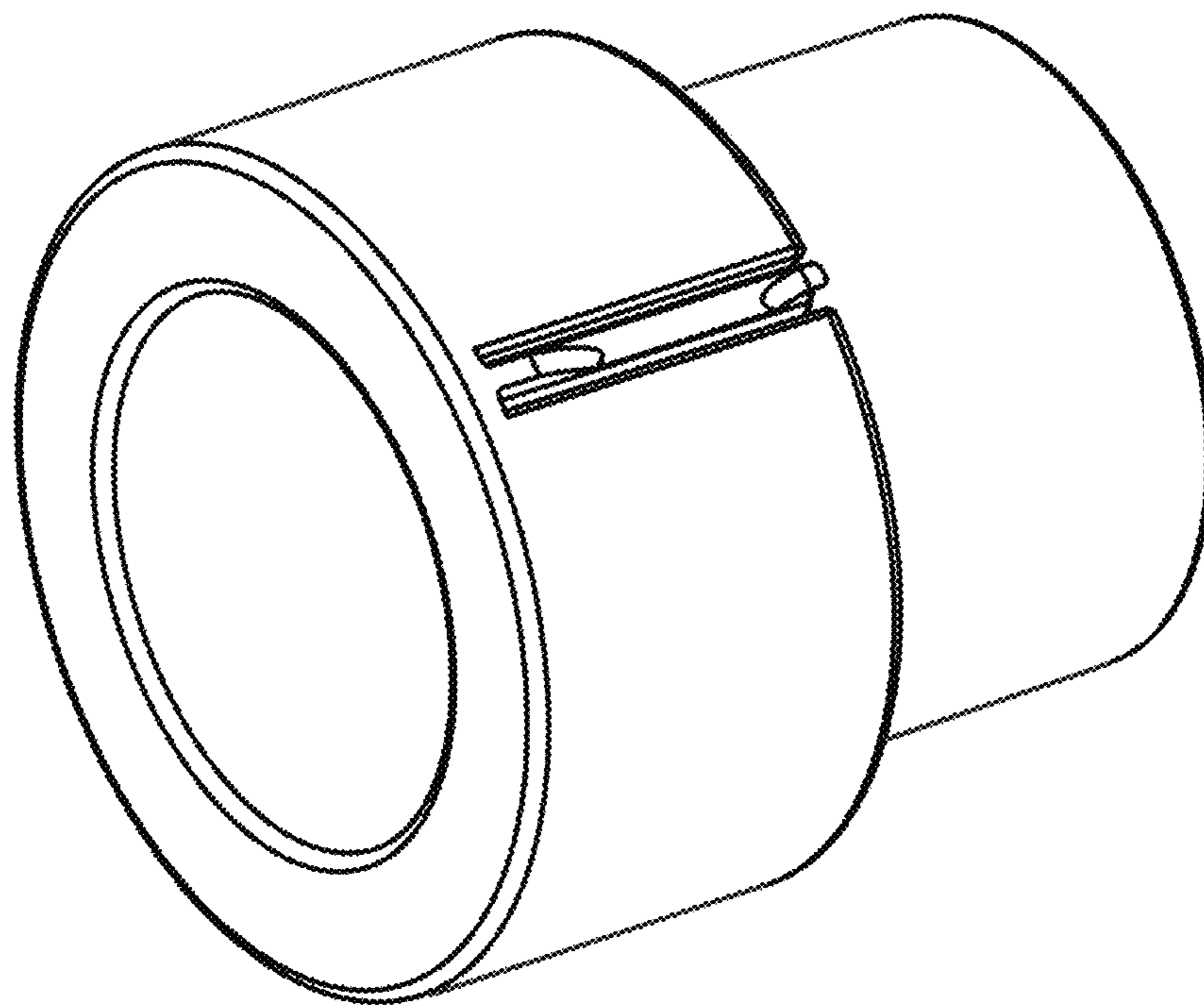


Fig. 1

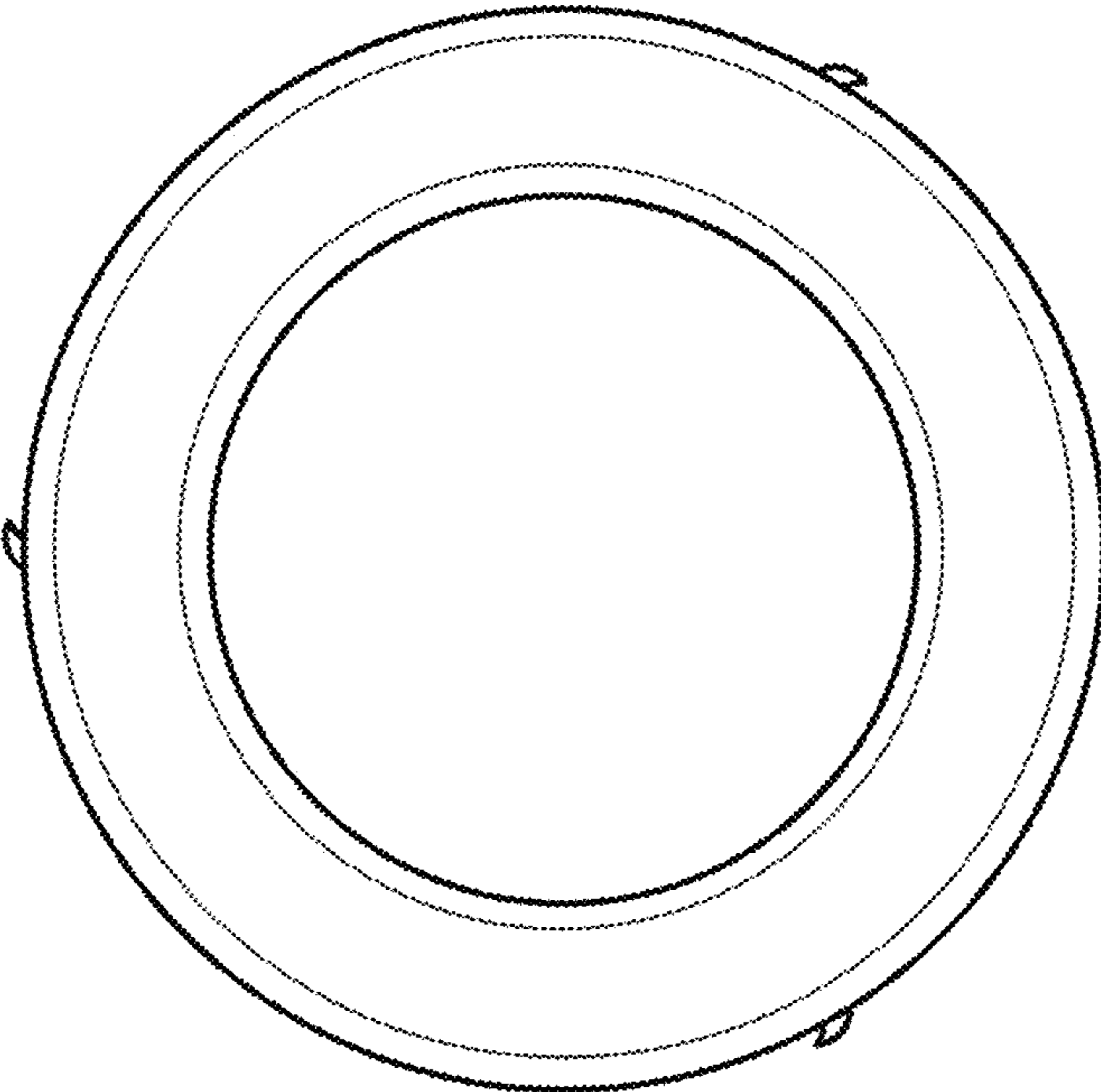


Fig. 2

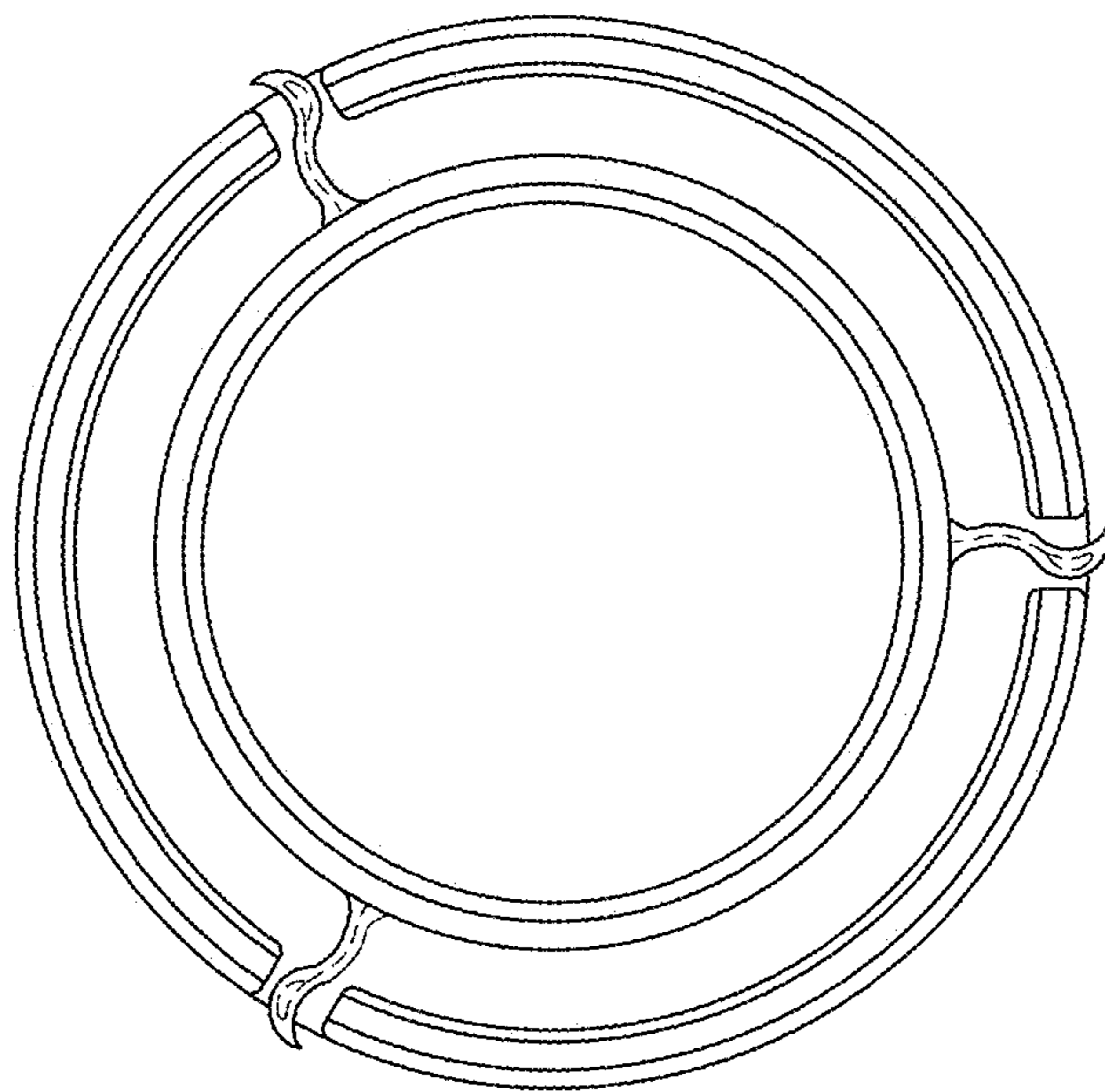


Fig. 3

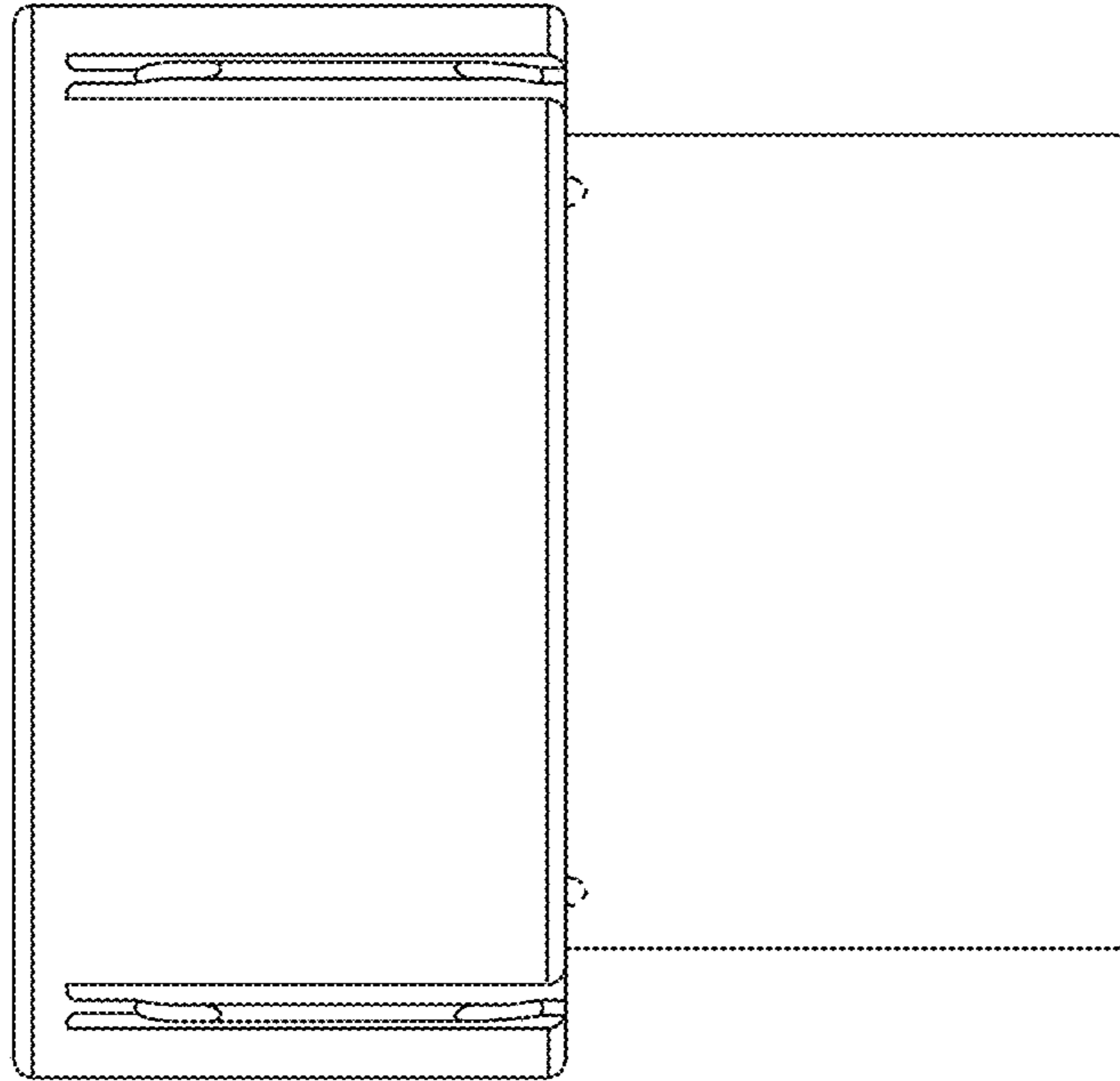


Fig. 4

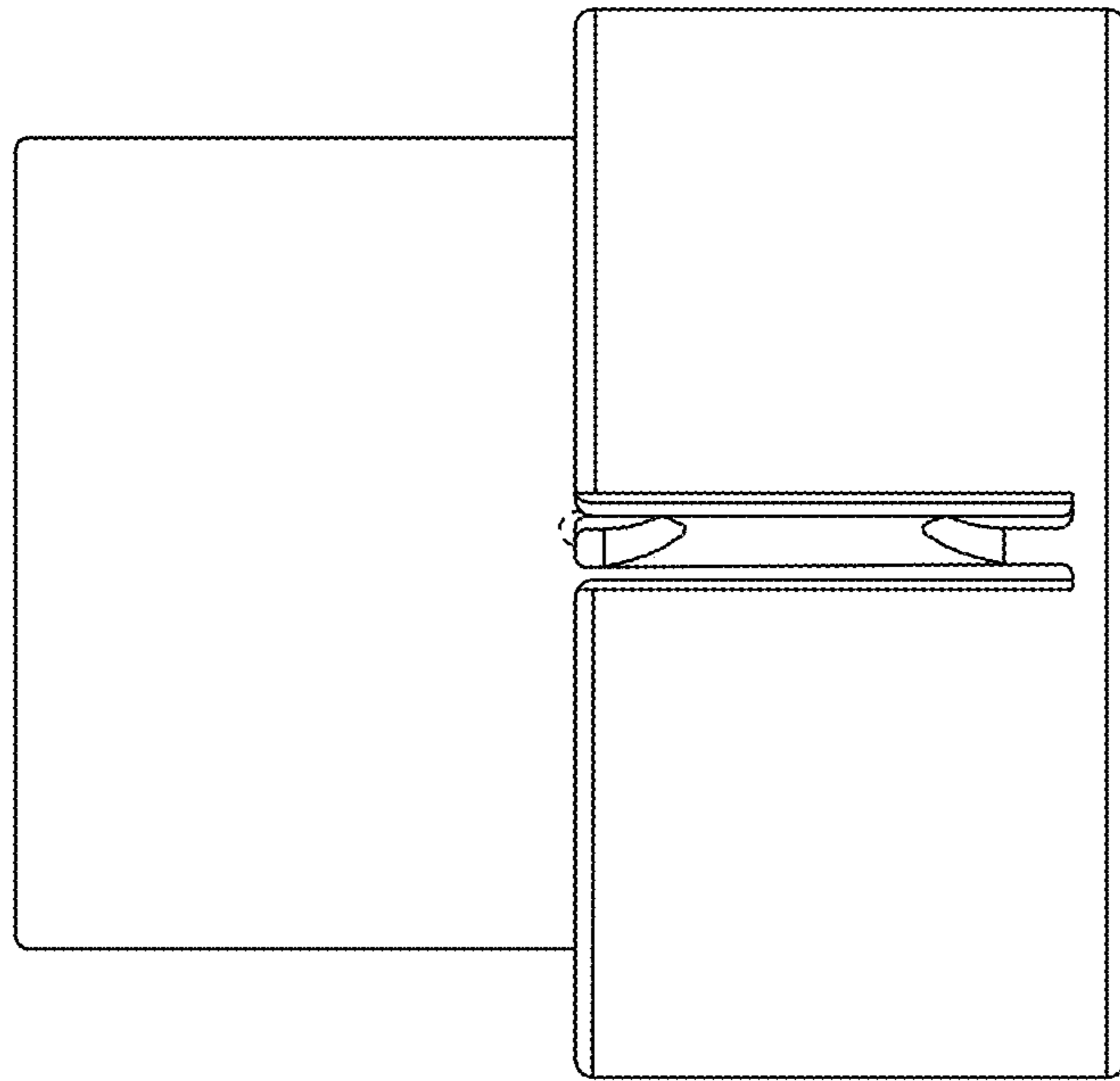


Fig. 5

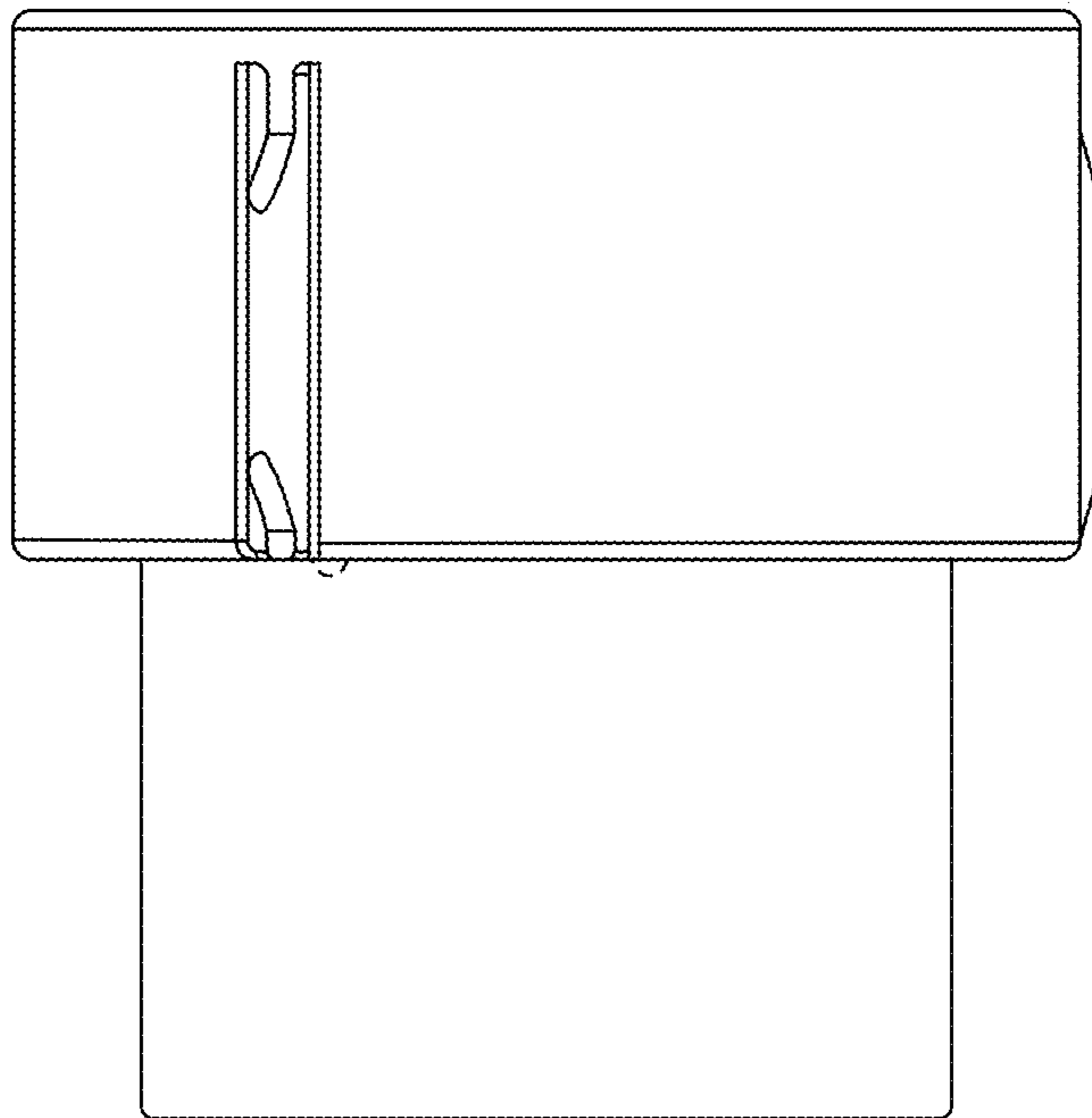


Fig. 6

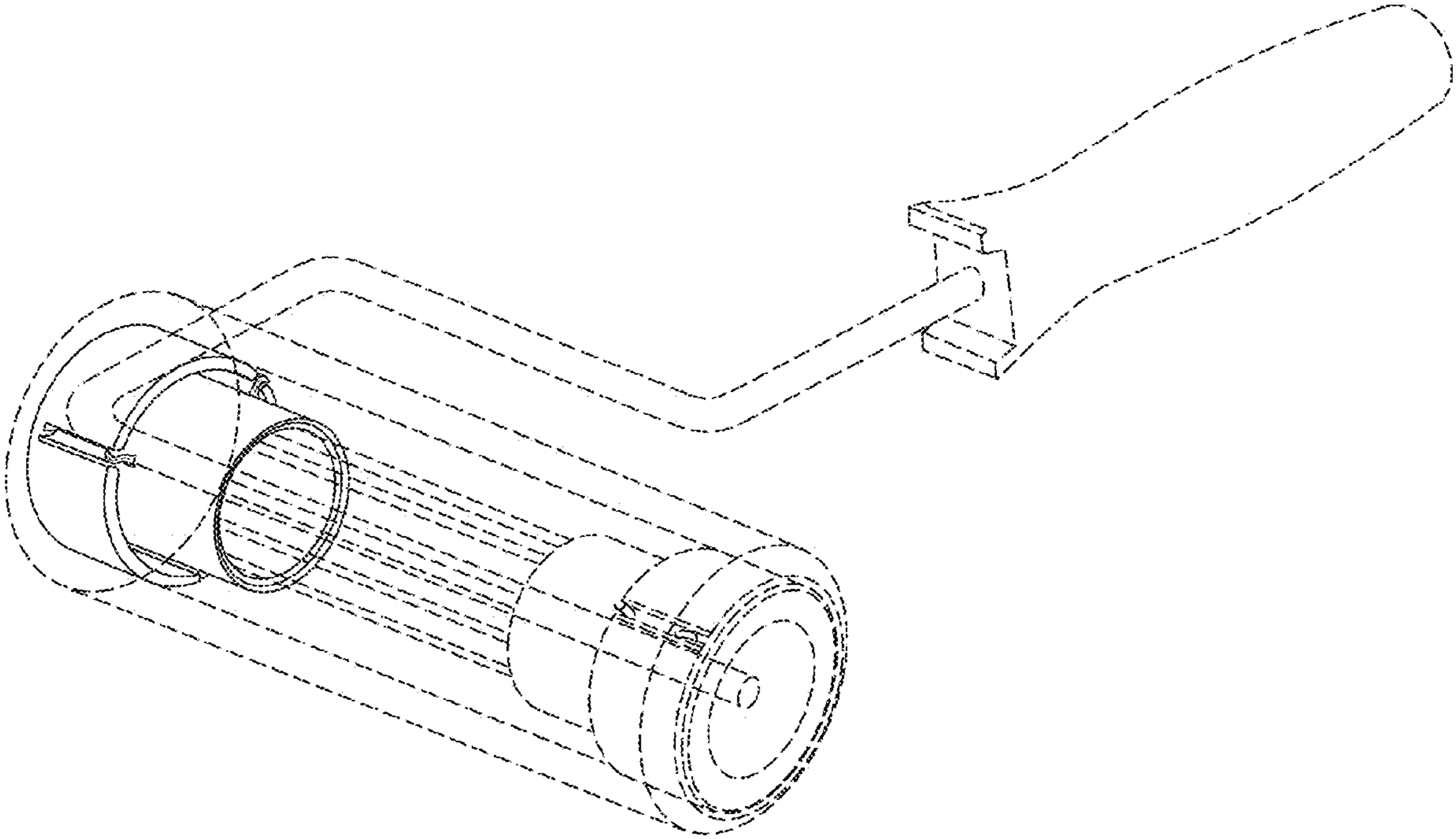


Fig. 7

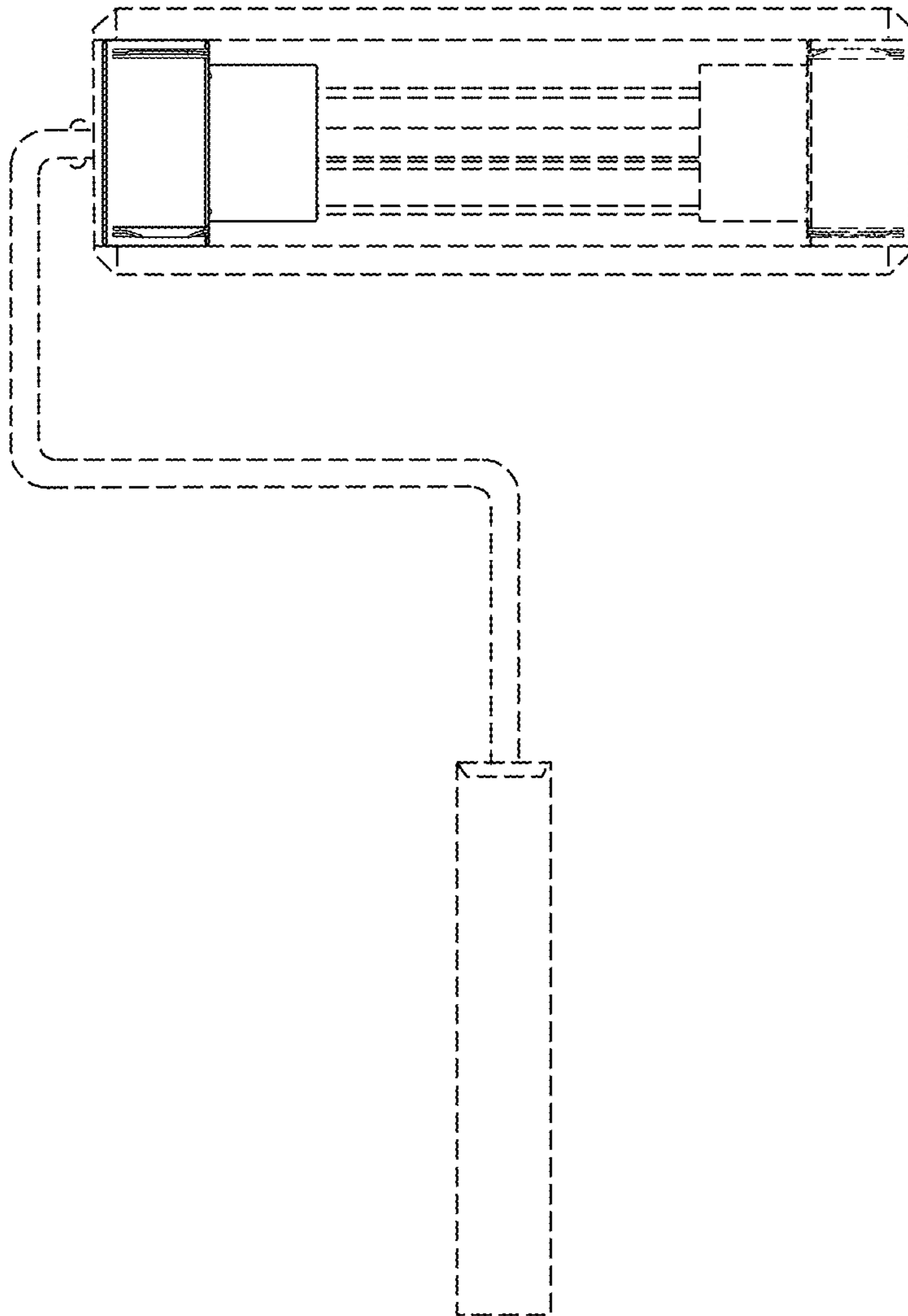


Fig. 8