



US00D970898S

(12) **United States Design Patent**  
**Chen**

(10) **Patent No.:** **US D970,898 S**

(45) **Date of Patent:** **\*\* Nov. 29, 2022**

(54) **TOOTHBRUSH**

(71) Applicant: **Changsha Qishan Electronic Technology Co., Ltd., Hunan (CN)**

(72) Inventor: **Mingqiang Chen, Hunan (CN)**

(73) Assignee: **Changsha Qishan Electronic Technology Co., Ltd., Hunan (CN)**

(\*\*) Term: **15 Years**

(21) Appl. No.: **29/845,792**

(22) Filed: **Jul. 11, 2022**

(51) **LOC (13) Cl.** ..... **04-02**

(52) **U.S. Cl.**  
USPC ..... **D4/104**

(58) **Field of Classification Search**  
USPC ..... D4/100, 101, 104, 105, 106, 107, 108,  
D4/109, 110, 111, 112, 113, 103;  
D30/158  
CPC . A46B 5/0095; A46B 9/04; A46B 2200/1066;  
A46B 5/02  
See application file for complete search history.

(56) **References Cited**

**U.S. PATENT DOCUMENTS**

D46,510 S \* 10/1914 Over ..... D4/103  
1,657,450 A \* 1/1928 Barnes ..... A46B 9/04  
132/308  
D136,631 S \* 11/1943 Bernard et al. .... D4/103  
2,966,691 A \* 1/1961 Cameron ..... A46B 5/04  
2/21

D567,945 S \* 4/2008 Foster ..... D24/147  
D615,304 S \* 5/2010 Cole ..... D4/103  
11,013,311 B2 \* 5/2021 Kayser ..... A46B 7/00  
D947,540 S 4/2022 Wang  
D950,960 S 5/2022 Wainless et al.  
2006/0037160 A1 \* 2/2006 Kayser ..... A46B 15/0081  
15/167.1  
2018/0049530 A1 \* 2/2018 Chant ..... A45D 2/48  
2020/0222159 A1 \* 7/2020 Gong ..... D04H 1/435

\* cited by examiner

*Primary Examiner* — Karen E Eldridge Powers  
(74) *Attorney, Agent, or Firm* — ScienBiziP, P.C.

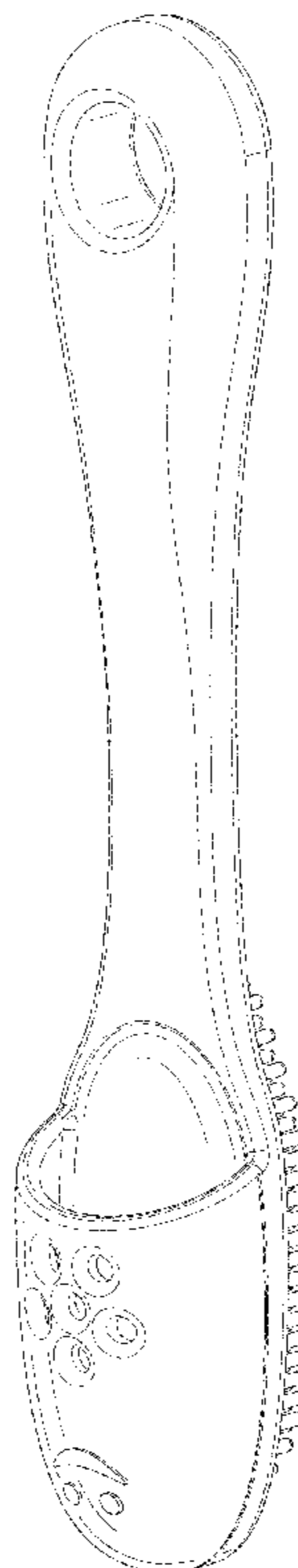
(57) **CLAIM**

The ornamental design for a toothbrush, as shown and described.

**DESCRIPTION**

FIG. 1 is a front, right and top perspective view of a toothbrush, showing my design.  
FIG. 2 is a front elevation view thereof.  
FIG. 3 is a rear elevation view thereof.  
FIG. 4 is a left side elevation view thereof.  
FIG. 5 is a right side elevation view thereof.  
FIG. 6 is a top plan view thereof.  
FIG. 7 is a bottom plan view thereof.  
FIG. 8 is a cross-sectional view of the toothbrush of FIG.1, taken along section line 8-8 as depicted in FIG. 2; and,  
FIG. 9 is a partial enlarged view of an area labeled 9 in FIG. 7.  
The dot-dash broken lines in FIGS. 7 and 9 depict the boundaries of the enlargements that form no part of the claimed design.

**1 Claim, 9 Drawing Sheets**



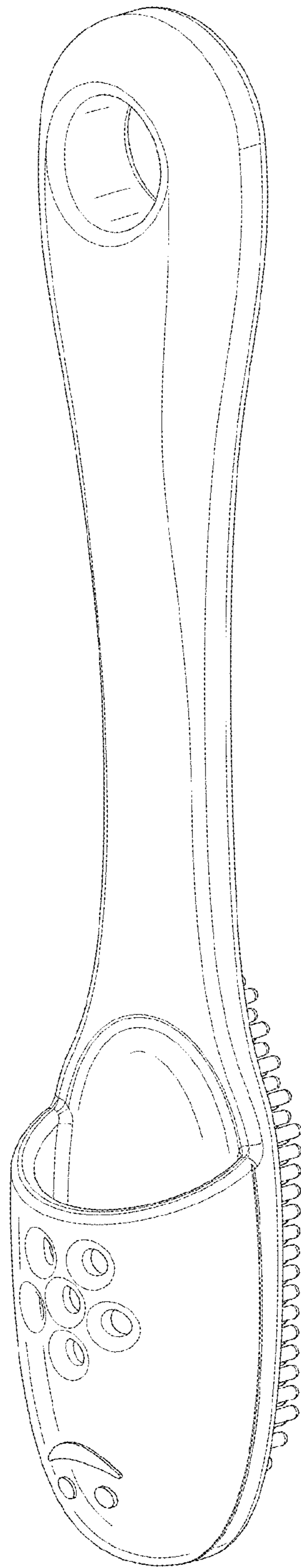
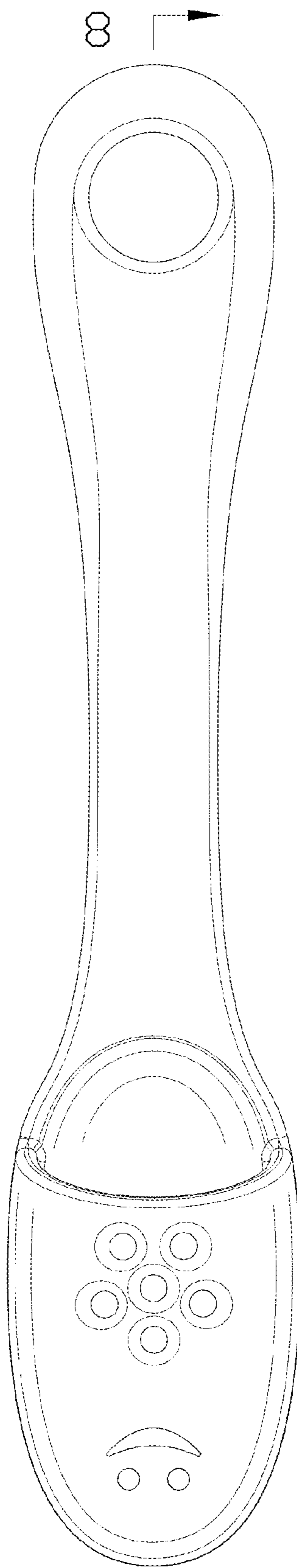


FIG. 1



8 ↗

8 ↘

FIG. 2

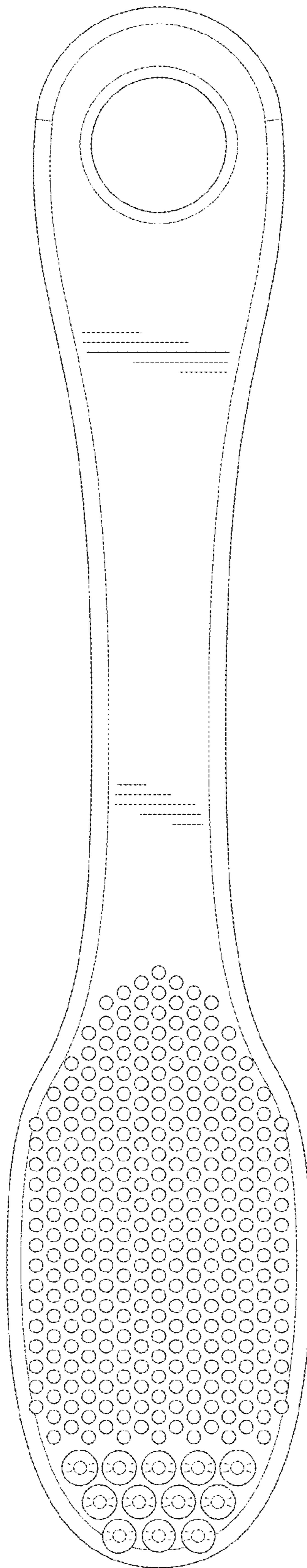


FIG. 3

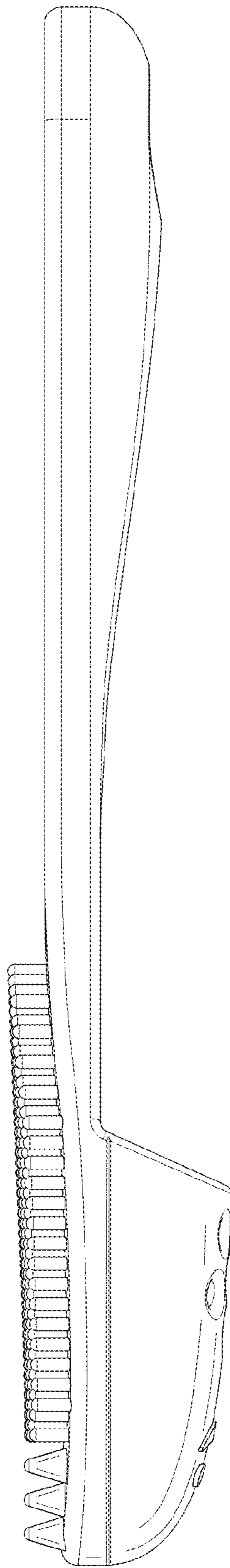


FIG. 4

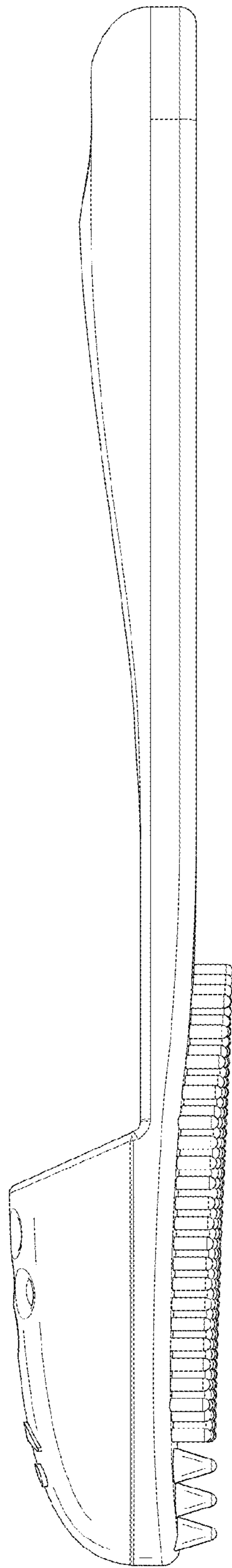


FIG. 5

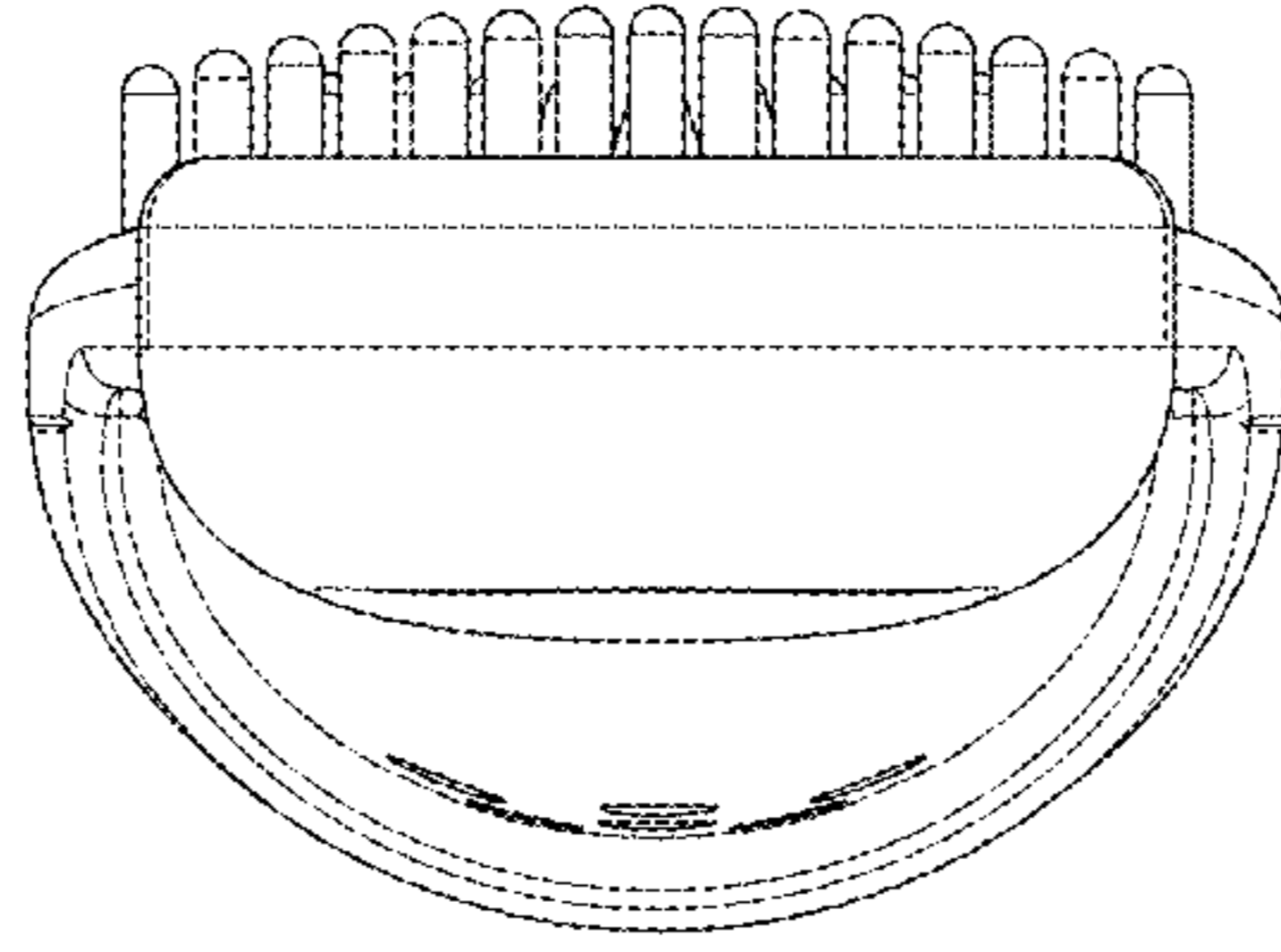


FIG. 6

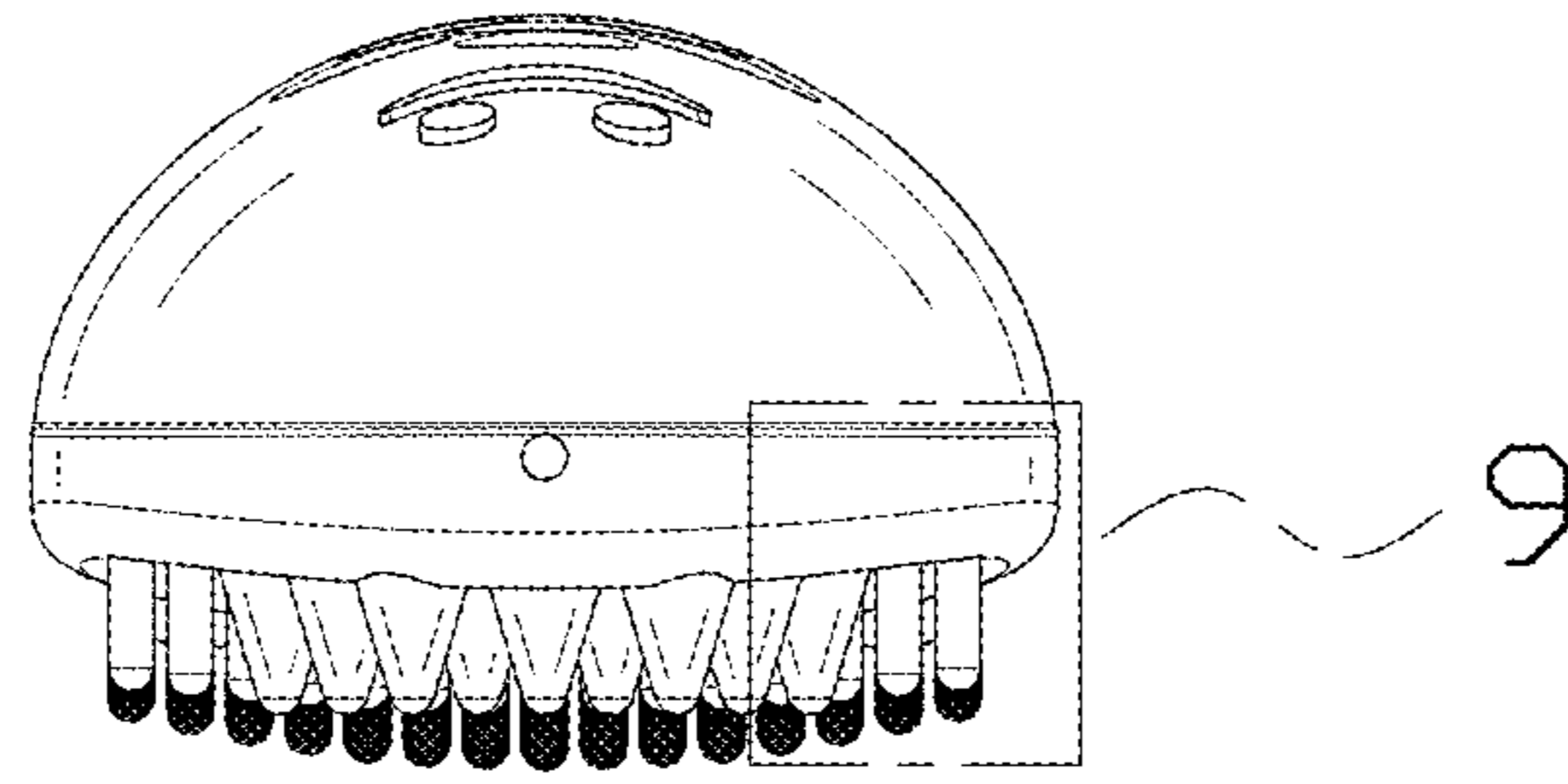


FIG. 7



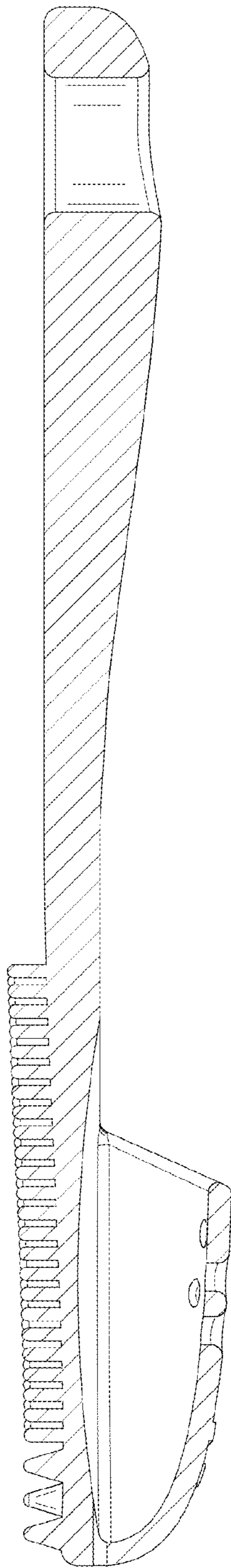


FIG. 8

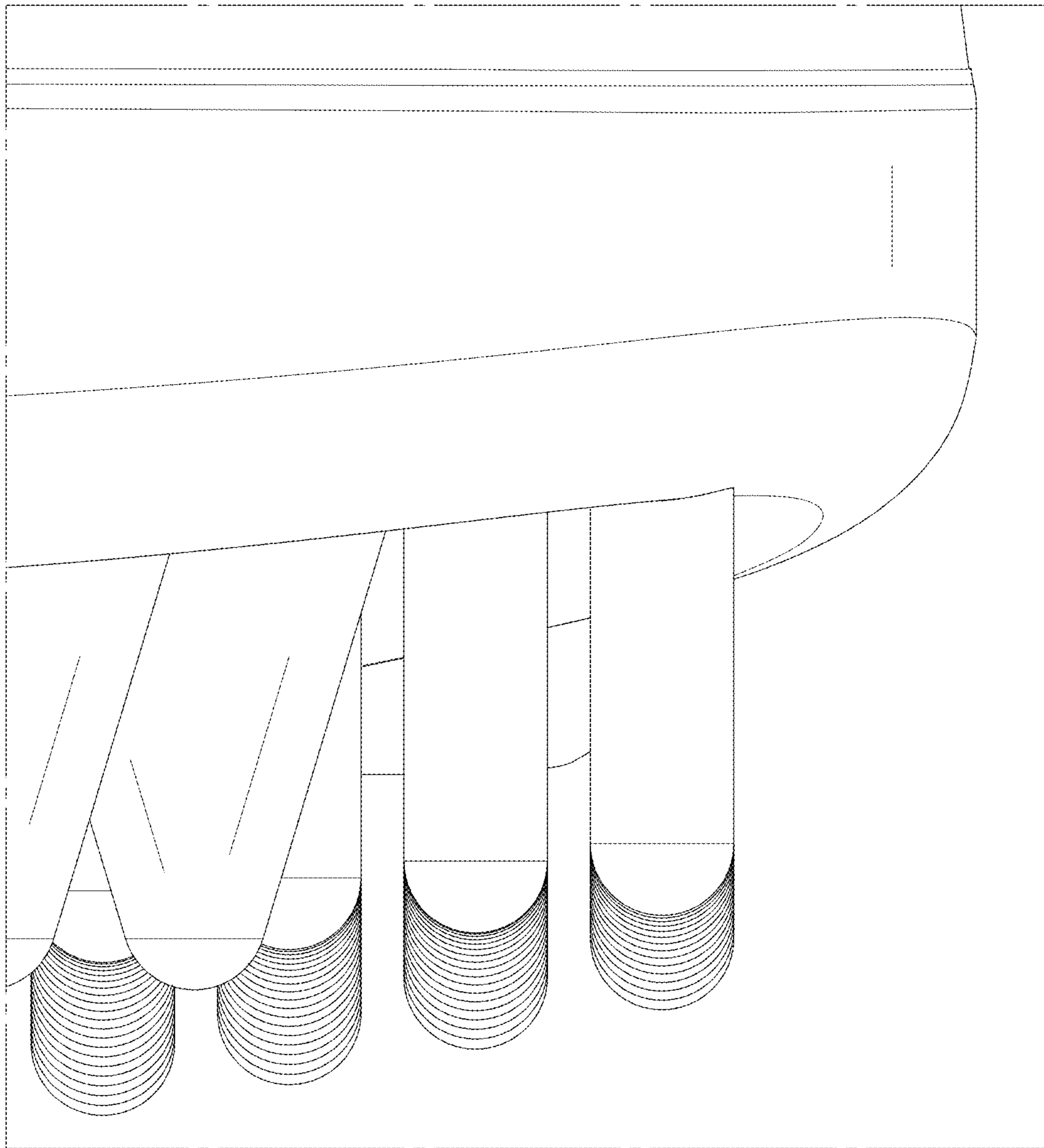


FIG. 9