

US00D970895S

(12) **United States Design Patent** (10) **Patent No.:** **US D970,895 S**
Li (45) **Date of Patent:** **** Nov. 29, 2022**

(54) **TOOTHBRUSH HEAD**
(71) Applicant: **Shengzhou Li**, Guangdong (CN)
(72) Inventor: **Shengzhou Li**, Guangdong (CN)
(**) Term: **15 Years**
(21) Appl. No.: **29/833,903**

D759,383 S * 6/2016 Watkins D4/101
9,724,180 B1 8/2017 Liu
D805,306 S 12/2017 Massee
10,575,626 B2 3/2020 Dengler et al.
D887,145 S * 6/2020 Hu D4/101
D919,301 S * 5/2021 Zhao D4/101
D931,615 S * 9/2021 Huang D4/101
D933,961 S * 10/2021 He D4/101
D933,962 S * 10/2021 He D4/101

(Continued)

(22) Filed: **Apr. 7, 2022**
(51) **LOC (13) Cl.** **04-02**
(52) **U.S. Cl.**
USPC **D4/101; D4/110**
(58) **Field of Classification Search**
USPC D4/100-102, 105-113, 104, 114, 116,
D4/118, 120, 121, 125, 132, 134, 138;
D24/152, 176
CPC . A46B 5/00; A46B 5/0095; A46B 2200/1066;
A61C 17/16; A61C 17/221; A61C
17/222; A61C 17/225; A61C 17/0202;
A61C 17/34

See application file for complete search history.

FOREIGN PATENT DOCUMENTS

EM 001787714-0001 S 12/2010
EM 001787714-0004 S 12/2010

(Continued)

Primary Examiner — Rebekah A Caruso
(74) *Attorney, Agent, or Firm* — ScienBiziP, P.C.

(57) **CLAIM**

The ornamental design for a toothbrush head, as shown and described.

DESCRIPTION

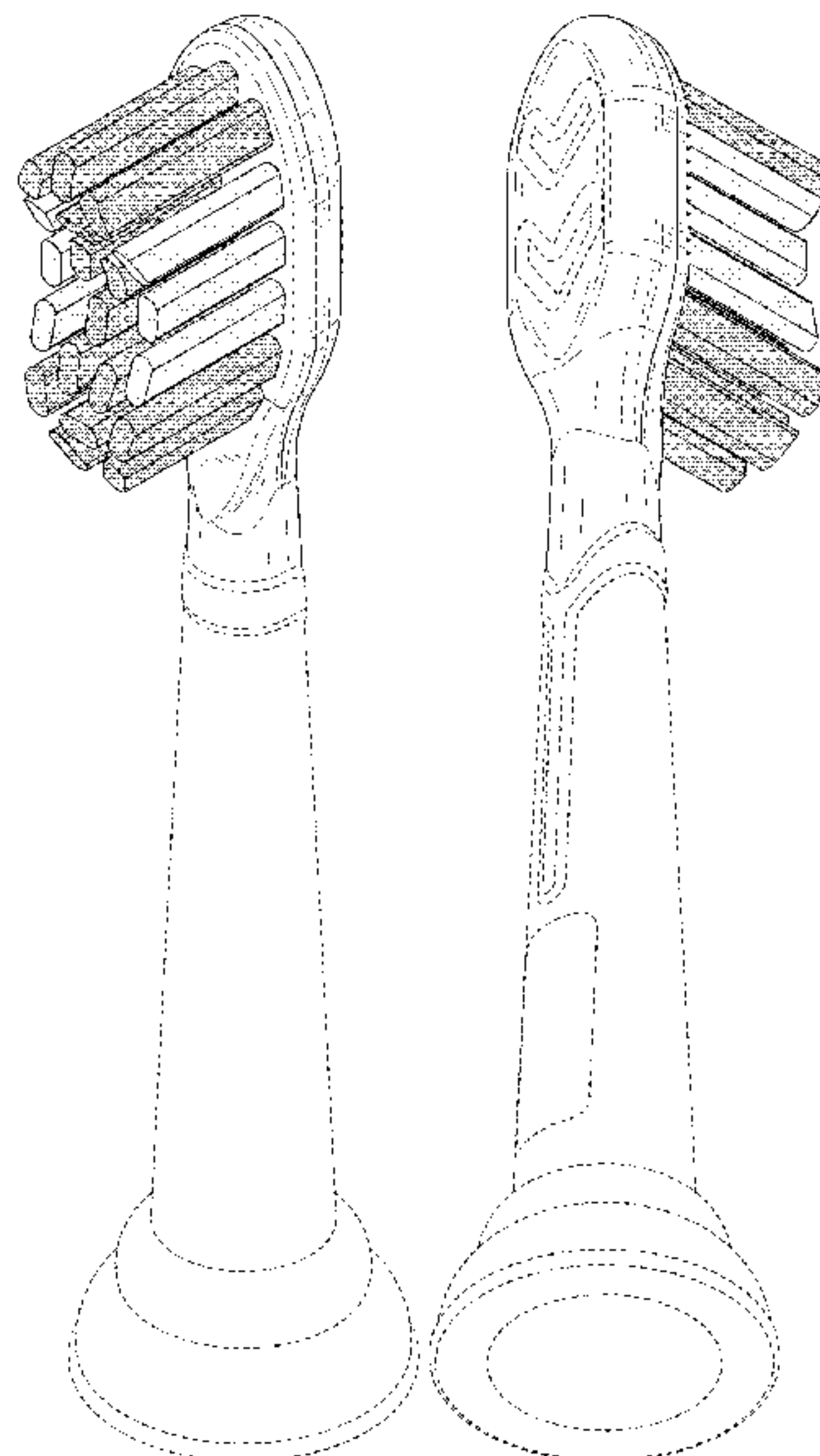
FIG. 1 is a front, right and top perspective view of a toothbrush head, showing my design.
FIG. 2 is a rear, left and bottom perspective view thereof.
FIG. 3 is a front elevation view thereof.
FIG. 4 is a rear elevation view thereof.
FIG. 5 is a left side elevation view thereof.
FIG. 6 is a right side elevation view thereof.
FIG. 7 is a top plan view thereof; and,
FIG. 8 is a bottom plan view thereof.
The broken lines shown in the drawings are included for the purpose of illustrating portions of the toothbrush head that form no part of the claimed design.
The contrast in shading represents a contrast in appearance only and does not represent any particular color, material, texture or finish.

1 Claim, 8 Drawing Sheets

(56) **References Cited**

U.S. PATENT DOCUMENTS

5,412,827 A 5/1995 Wiedemann et al.
5,448,792 A 9/1995 Wiedemann et al.
5,467,494 A 11/1995 Muller et al.
D563,674 S 3/2008 Beedham
D569,623 S 5/2008 Beedham
D580,173 S * 11/2008 Beedham D4/101
7,722,278 B2 5/2010 Black
D653,035 S 1/2012 Gebski
D657,565 S * 4/2012 Gebski D4/101
D657,954 S 4/2012 Gebski
D676,660 S * 2/2013 Crossman D4/104
D696,517 S 12/2013 Gebski
8,782,841 B2 7/2014 Sale et al.
D715,057 S 10/2014 Adriaenssen et al.
D747,609 S * 1/2016 Watkins D4/101
D759,380 S * 6/2016 Watkins D4/101



(56)

References Cited

U.S. PATENT DOCUMENTS

D933,965	S	*	10/2021	Tang	D4/101
D939,216	S	*	12/2021	Liu	D4/111
D949,573	S	*	4/2022	Zhao	D4/111
D951,650	S	*	5/2022	Peng	D4/101
D955,753	S	*	6/2022	Zhou	D4/101
D956,424	S	*	7/2022	Zhou	D4/101
D958,542	S	*	7/2022	Zhou	D4/101
D961,268	S	*	8/2022	Kuang	D4/101
D961,935	S	*	8/2022	Liu	D4/101
2014/0007361	A1		1/2014	Nazaroff et al.		
2017/0105824	A1		4/2017	Dengler et al.		
2020/0085178	A1		3/2020	Van Den Ende et al.		

FOREIGN PATENT DOCUMENTS

EM	002163675-0002	S	1/2013
EM	002163675-0003	S	1/2013
EM	002163675-0004	S	1/2013
EM	002424069-0001	S	9/2014
EM	002691360-0001	S	5/2015
EM	002691360-0002	S	5/2015
EM	004005254-0001	S	8/2017
EM	008408397-0001	S	1/2021
EM	008408397-0004	S	1/2021
EM	008408397-0011	S	1/2021
EM	008408397-0012	S	1/2021
EM	008047922-0006	S	2/2021
EM	008047922-0007	S	2/2021

* cited by examiner

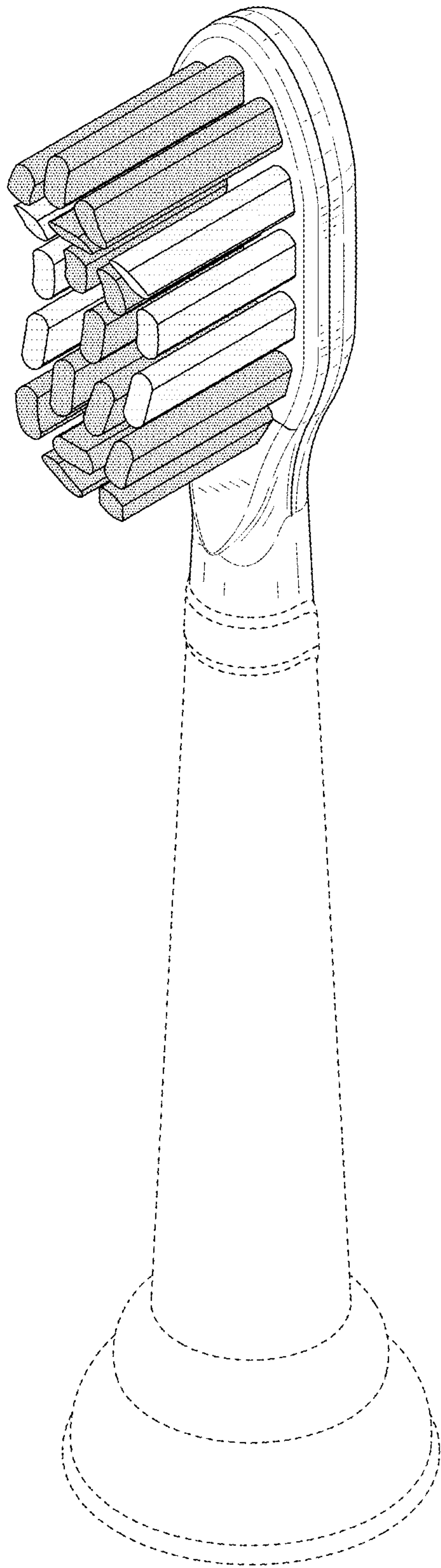


FIG. 1

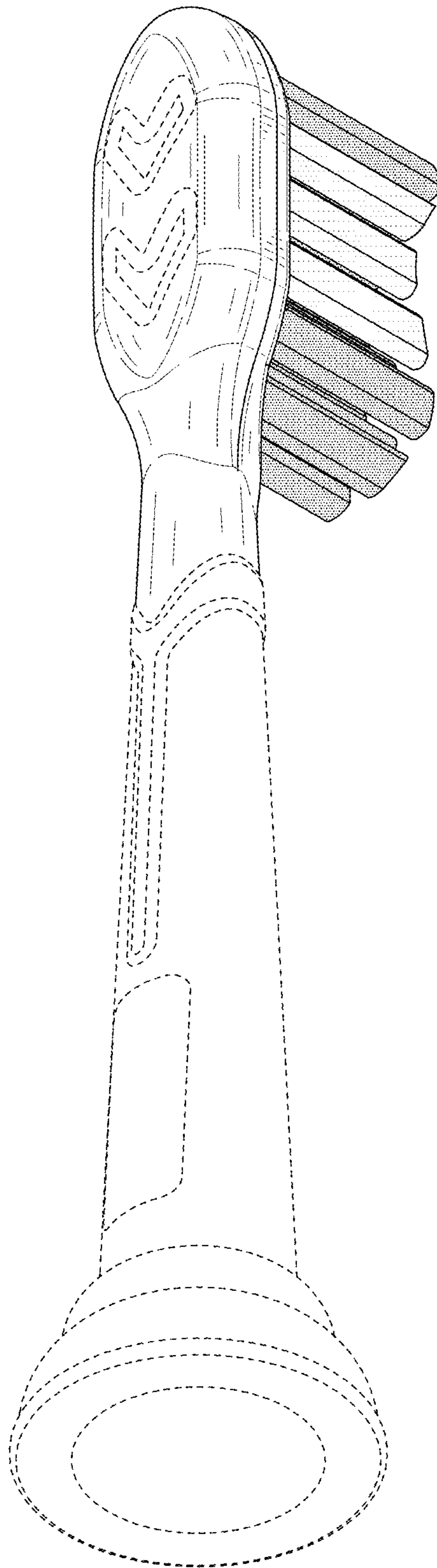


FIG. 2

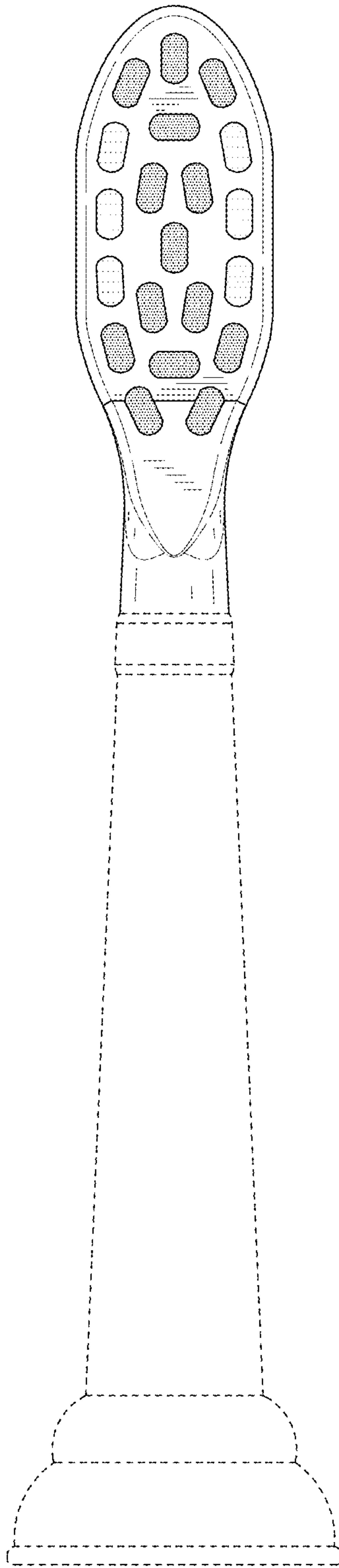


FIG. 3

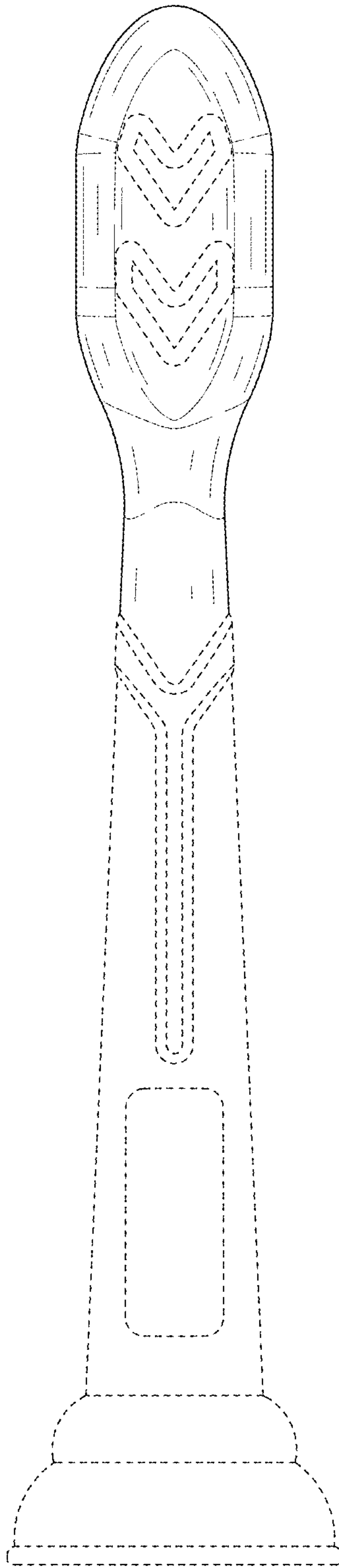


FIG. 4

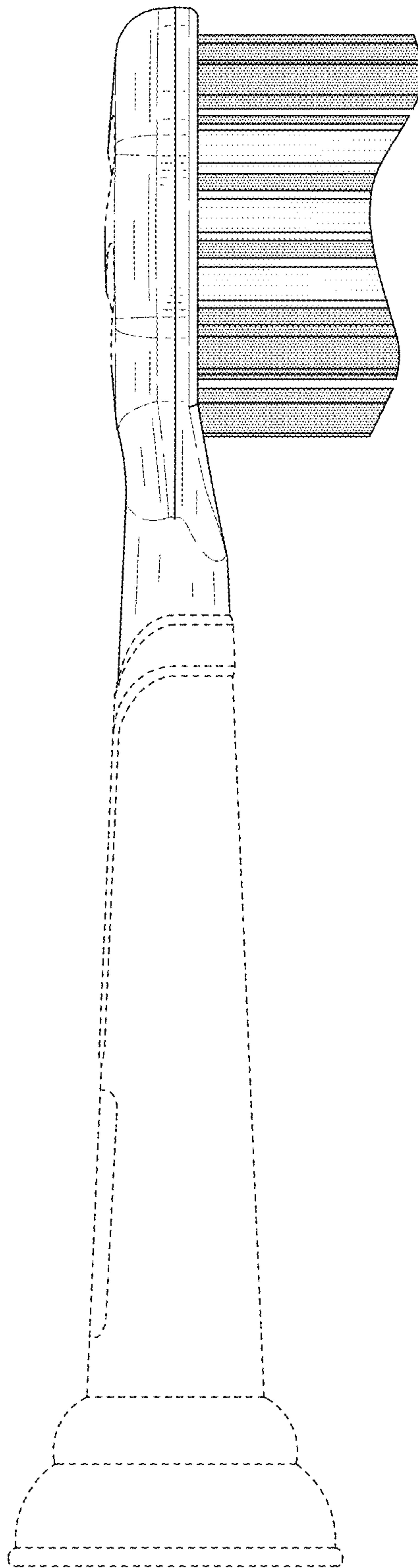


FIG. 5

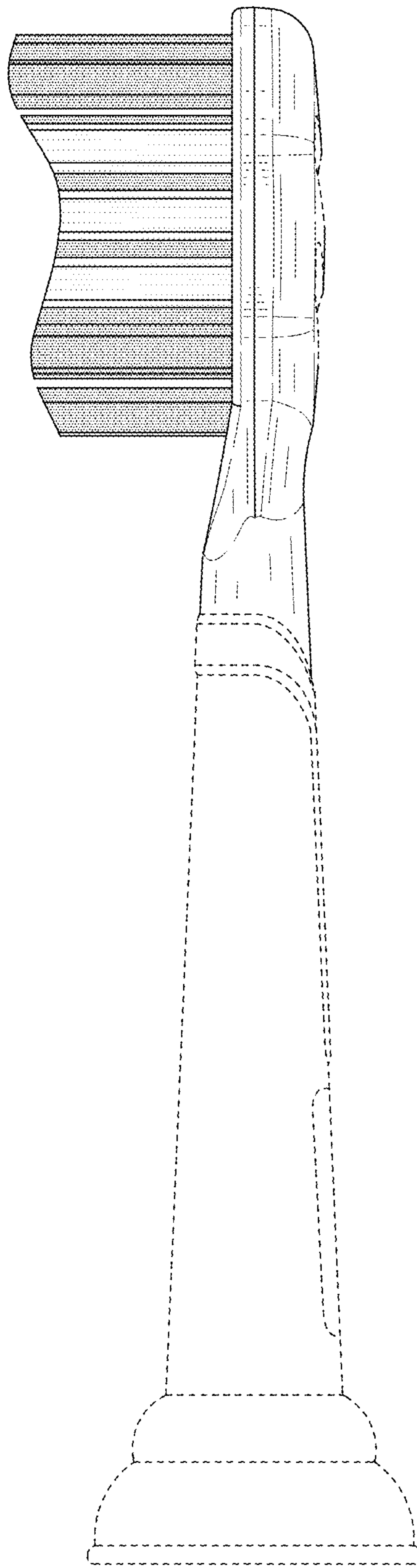


FIG. 6

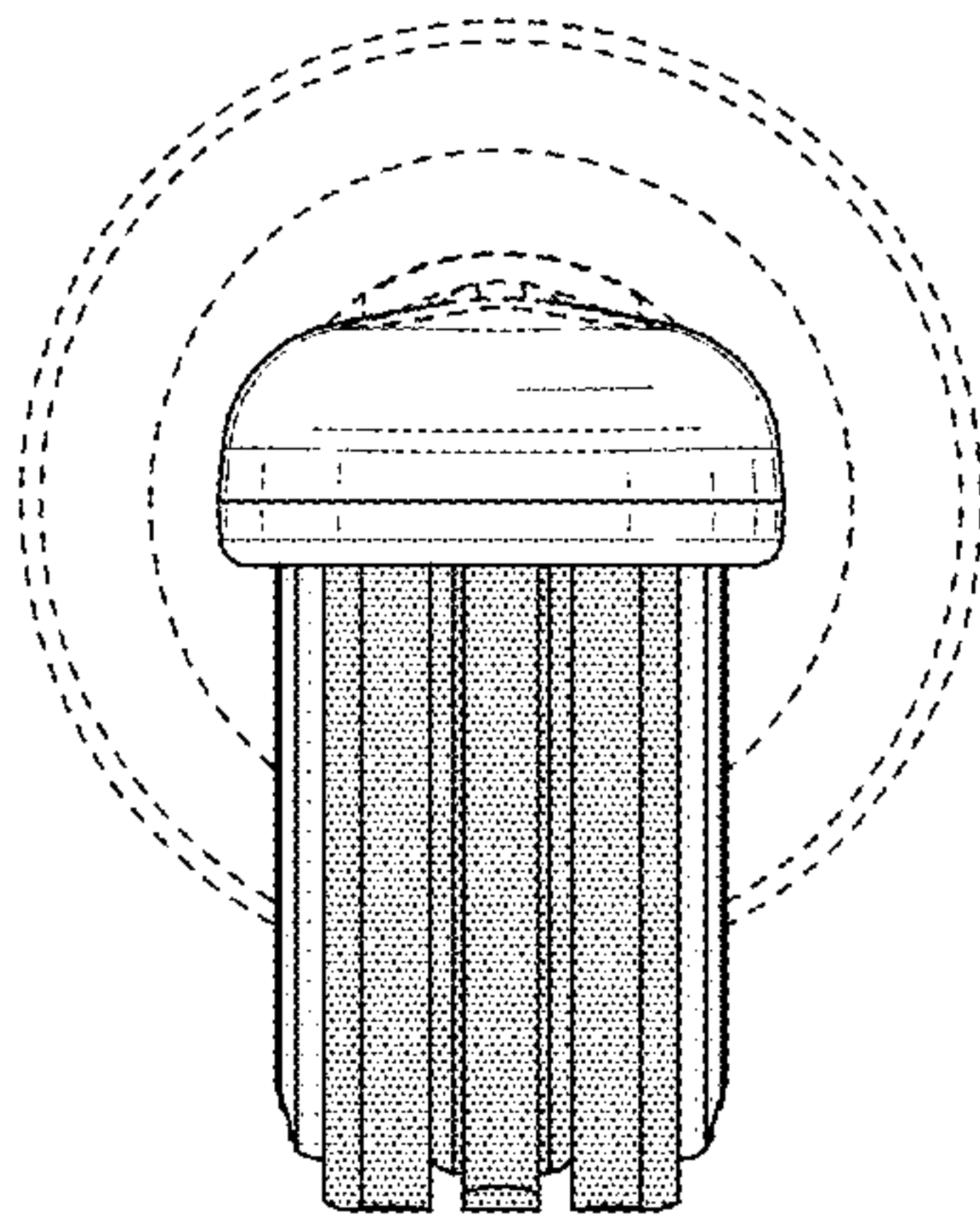


FIG. 7

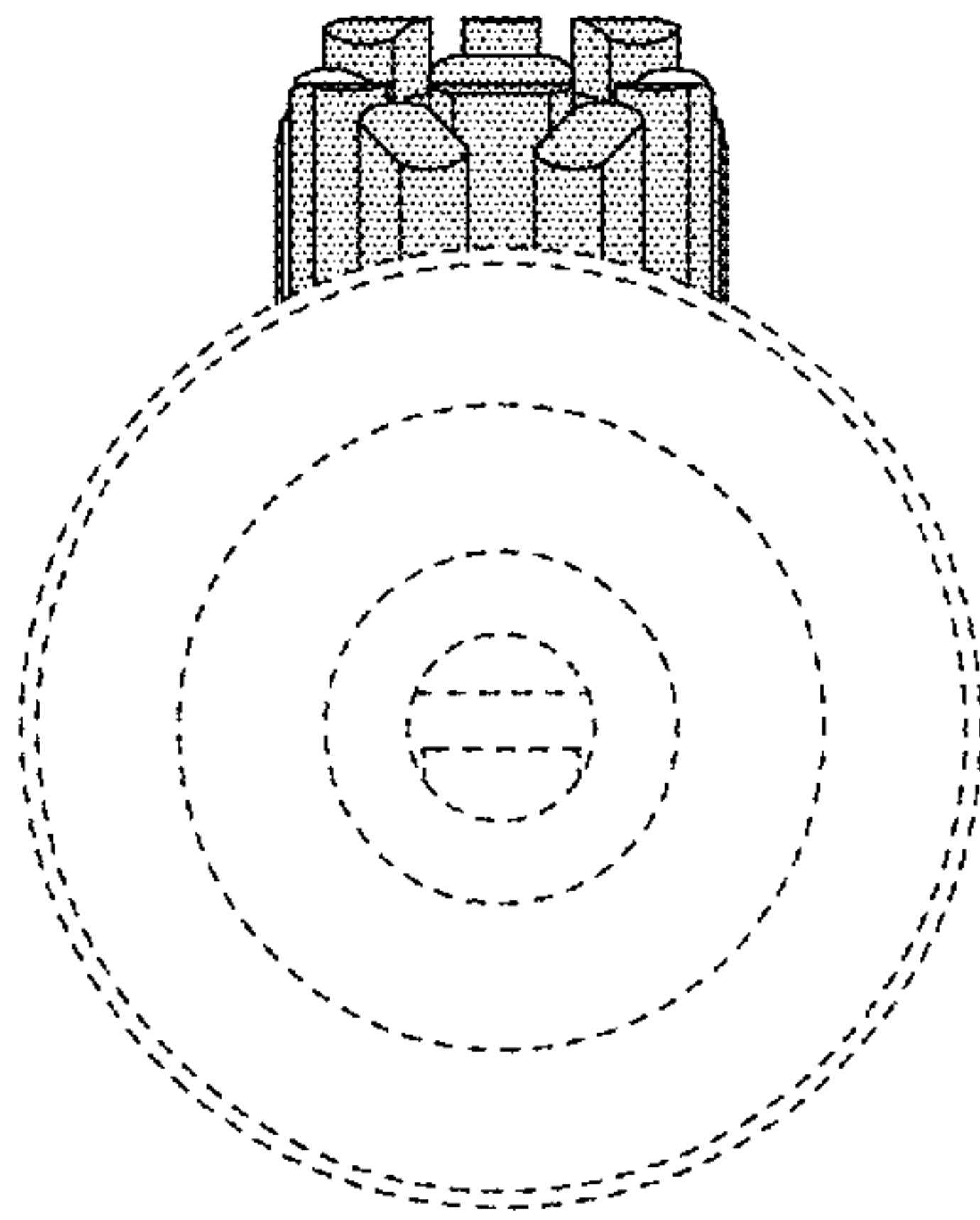


FIG. 8