



US00D970891S

(12) **United States Design Patent**
Chen

(10) **Patent No.:** **US D970,891 S**

(45) **Date of Patent:** **** Nov. 29, 2022**

(54) **TOILETRY BAG**

(71) Applicant: **Guanyu Chen**, Guangzhou (CN)

(72) Inventor: **Guanyu Chen**, Guangzhou (CN)

(**) Term: **15 Years**

(21) Appl. No.: **29/826,888**

(22) Filed: **Feb. 16, 2022**

(30) **Foreign Application Priority Data**

Aug. 23, 2021 (CN) 202130550951.7

(51) **LOC (13) Cl.** **03-01**

(52) **U.S. Cl.**
USPC **D3/283**; D3/289; D3/293

(58) **Field of Classification Search**
USPC D7/637, 641, 709; D3/273, 274, 276,
D3/283, 289, 302, 279, 293; D12/423
CPC A45C 11/00; A45C 2011/001; A45C 11/20
See application file for complete search history.

(56) **References Cited**

U.S. PATENT DOCUMENTS

D340,356 S * 10/1993 Hughes D23/383
D355,301 S * 2/1995 Tumulty D3/276
D411,352 S * 6/1999 Golenz D3/301
D790,847 S 7/2017 Tappeiner
D852,491 S 7/2019 Wantland

D885,749 S 6/2020 Yuan et al.
10,674,874 B1 * 6/2020 Guidarelli A45C 7/0054
D893,183 S * 8/2020 Eisenhardt D3/289
D946,278 S * 3/2022 Mo D3/289
D958,529 S * 7/2022 Liu D3/289

OTHER PUBLICATIONS

Amazon, "Shower Caddy Tote Bag, Bukere Portable Shower Caddy",
First on sale Aug. 2, 2021. (<https://www.amazon.com/dp/B09BND1LP6/?th=1>) (Year: 2021).*

Wayfair, "Icholas Portable Shower Caddy", First reviewed Aug. 25,
2022. (<https://bit.ly/3QYxeNW>) (Link required to be shortened due
to character limitation) (Year: 2022).*

* cited by examiner

Primary Examiner — April Rivas

(74) *Attorney, Agent, or Firm* — Jeenam Park

(57) **CLAIM**

The ornamental design for a toiletry bag, as shown and
described.

DESCRIPTION

FIG. 1 is a perspective view of a toiletry bag, showing my
new design;

FIG. 2 is a front view thereof;

FIG. 3 is a rear view thereof;

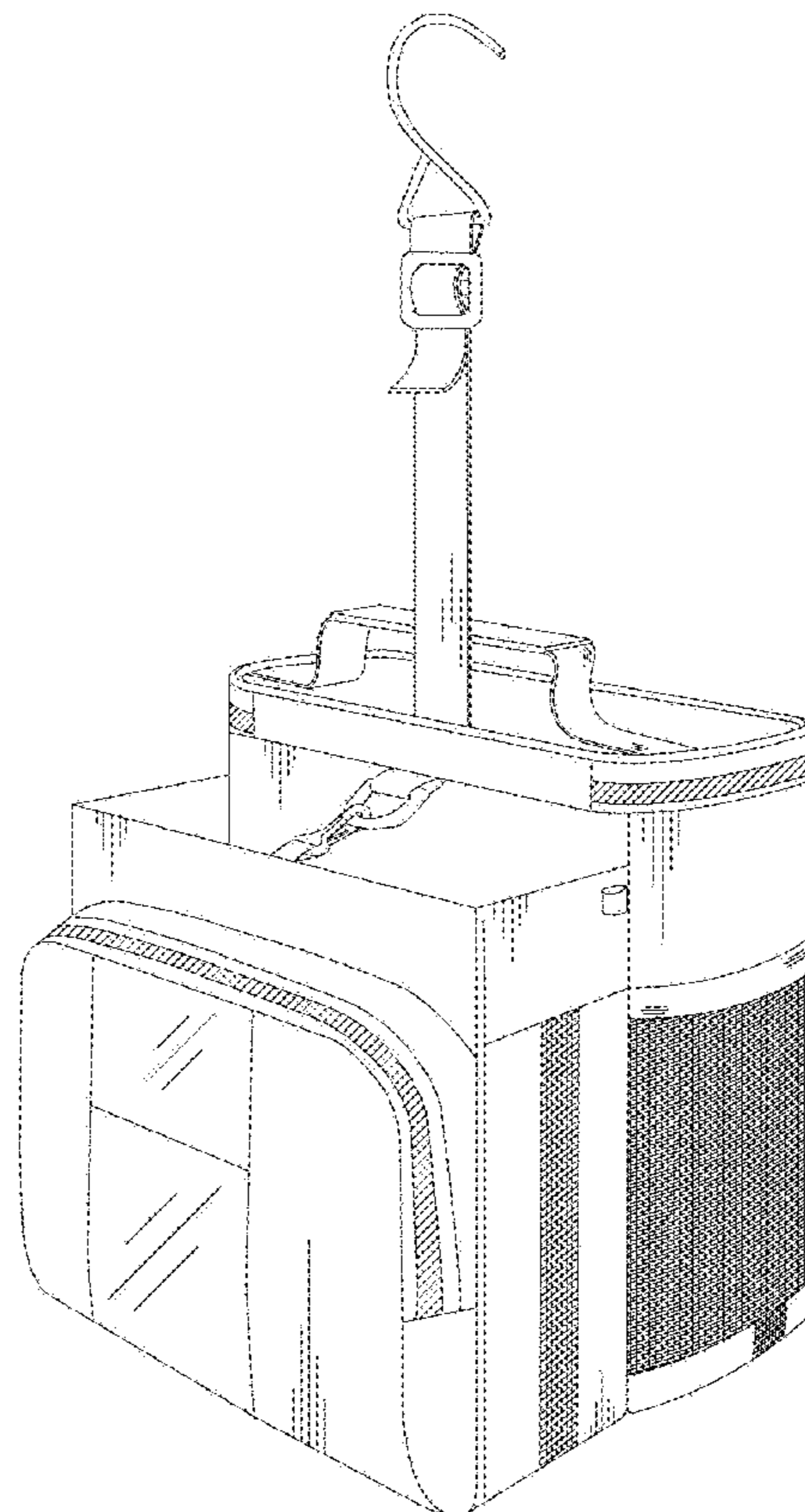
FIG. 4 is a left side view thereof;

FIG. 5 is a right side view thereof;

FIG. 6 is a top plan view thereof; and,

FIG. 7 is a bottom plan view thereof.

1 Claim, 7 Drawing Sheets



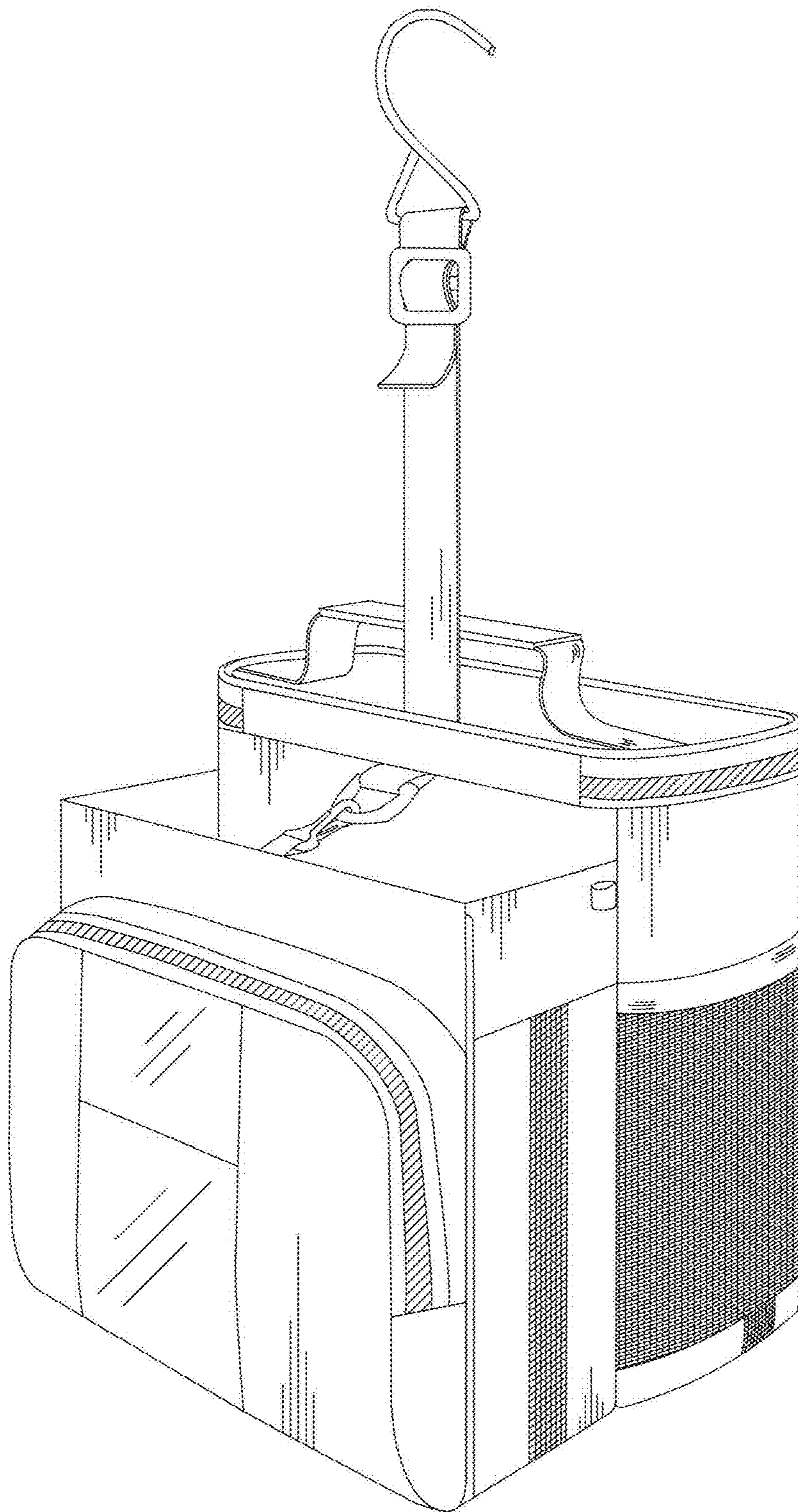


FIG. 1

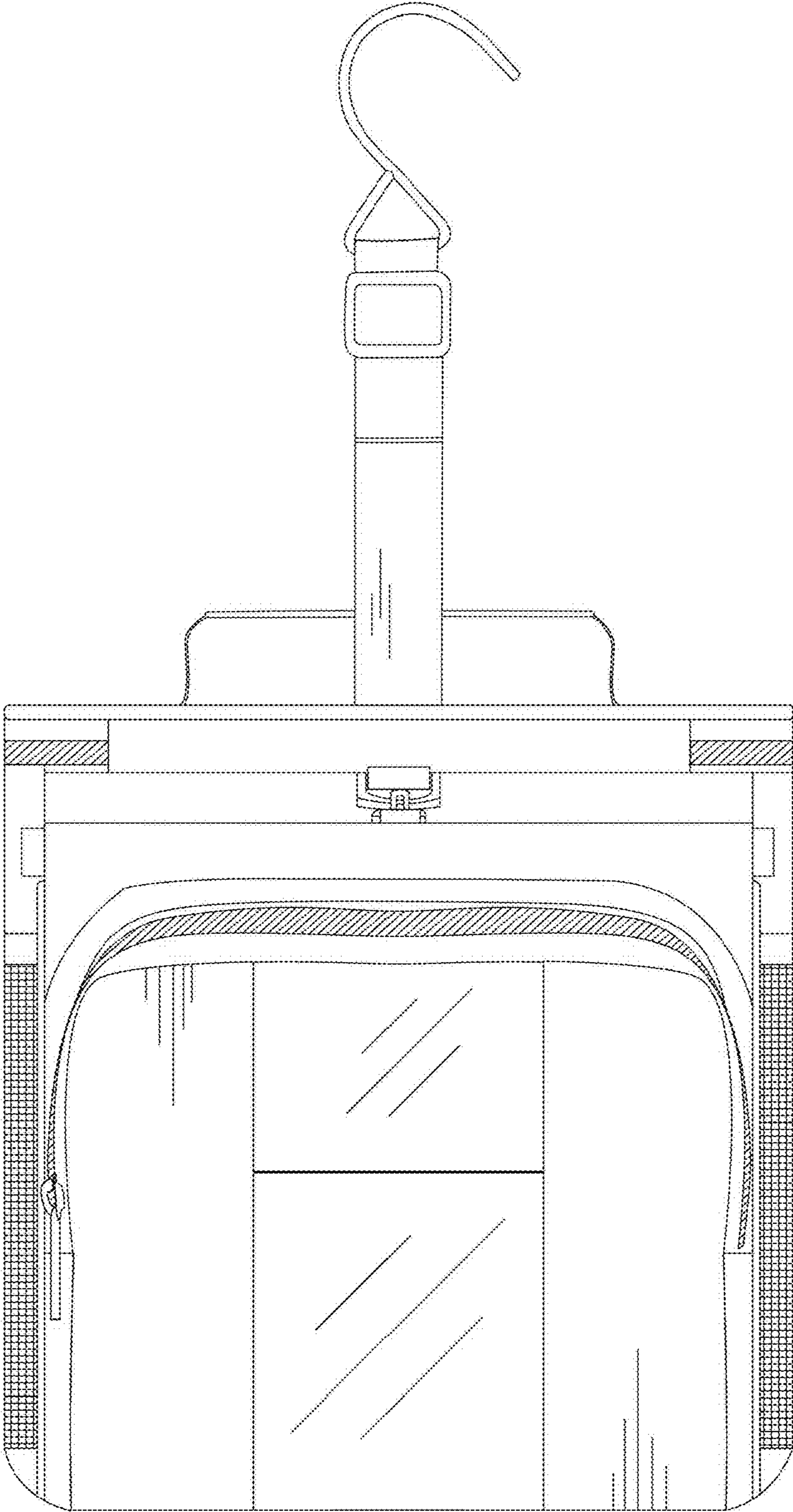


FIG. 2

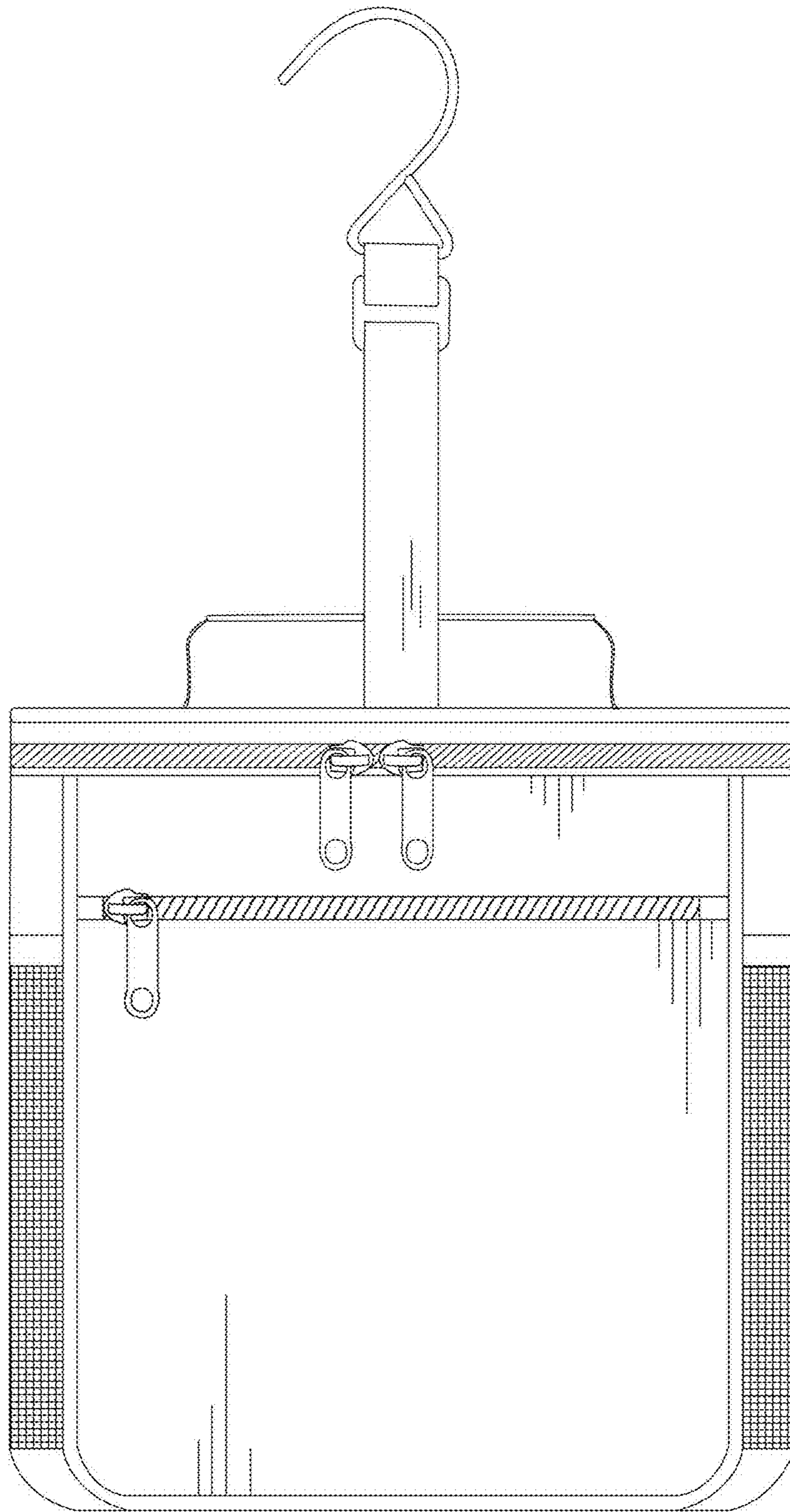


FIG. 3

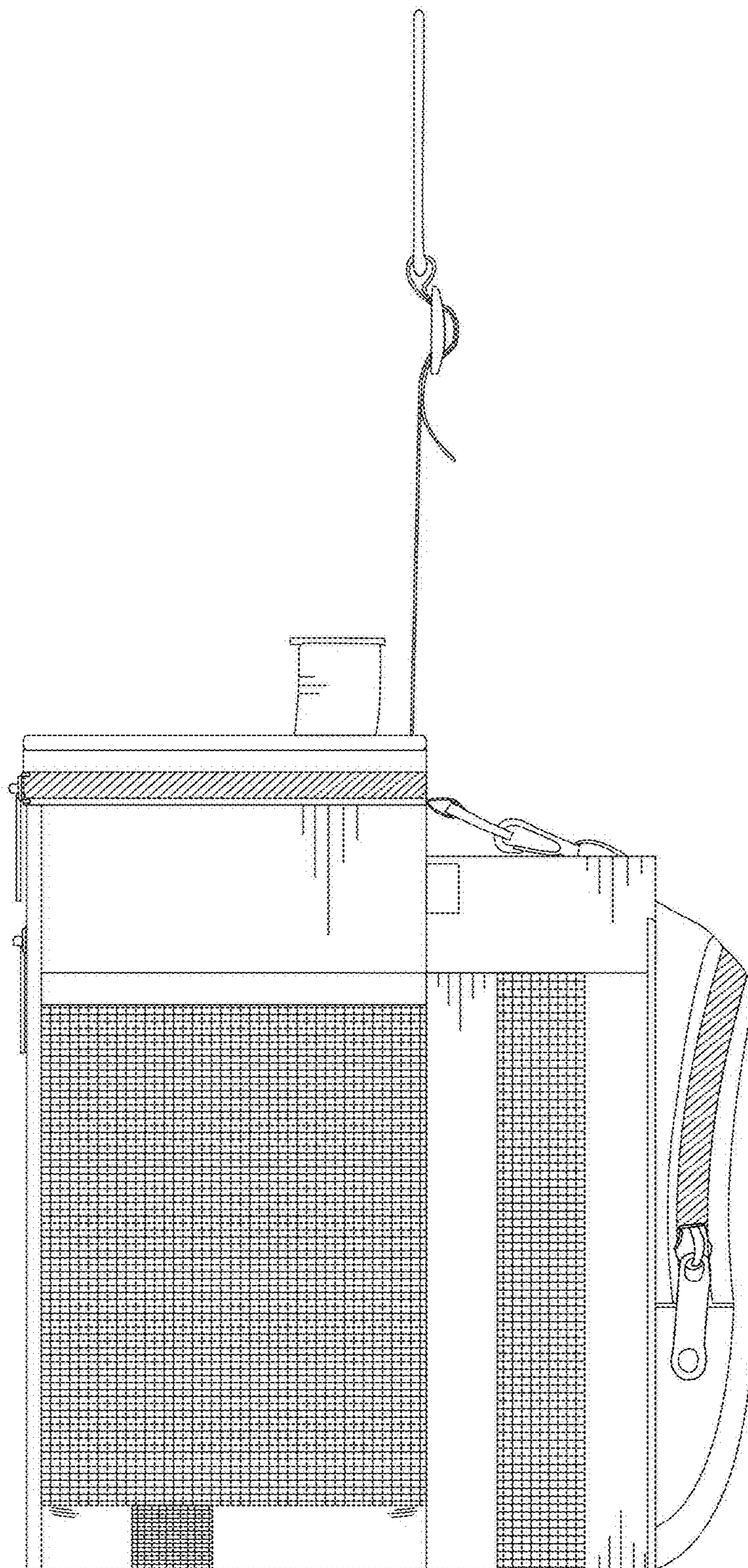


FIG. 4

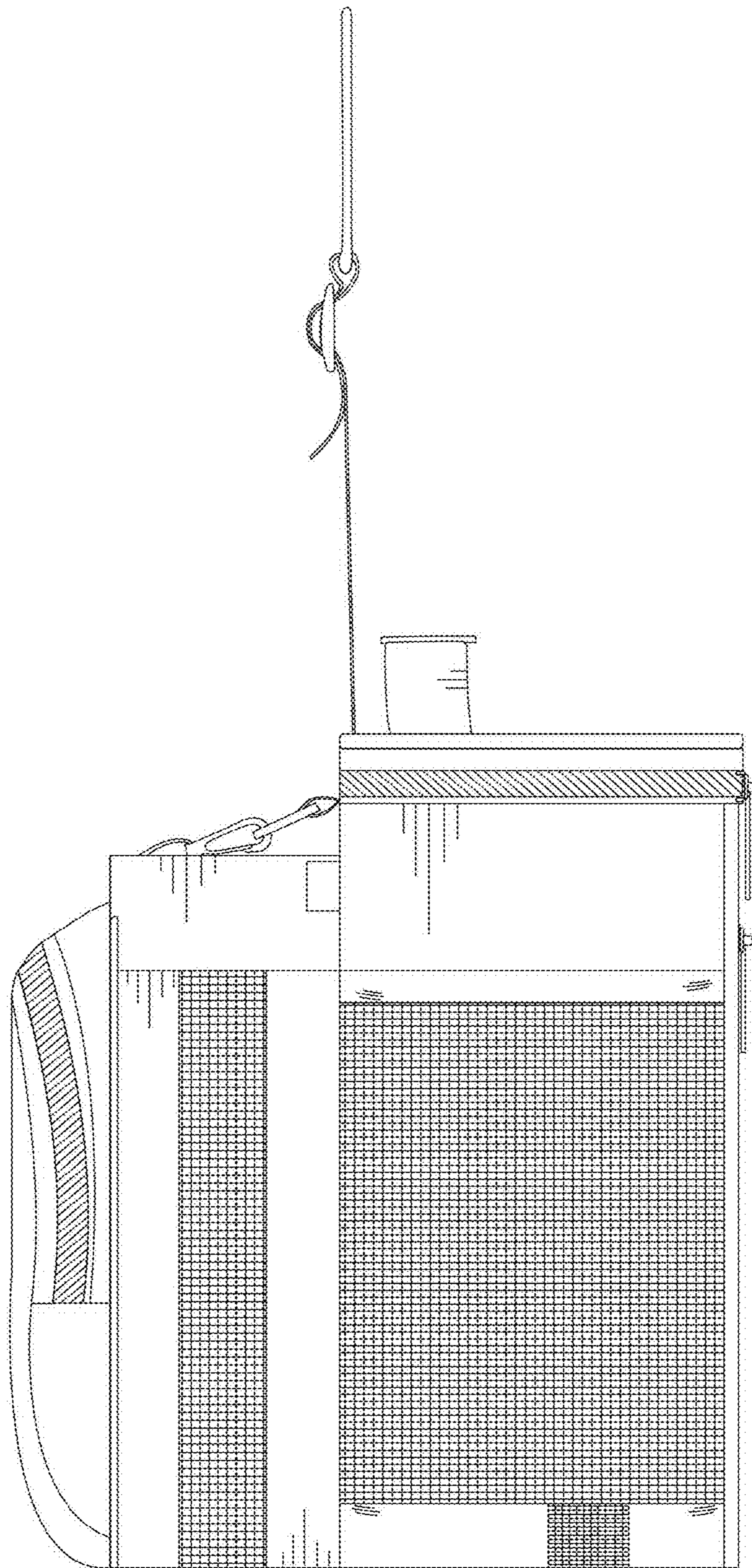


FIG. 5

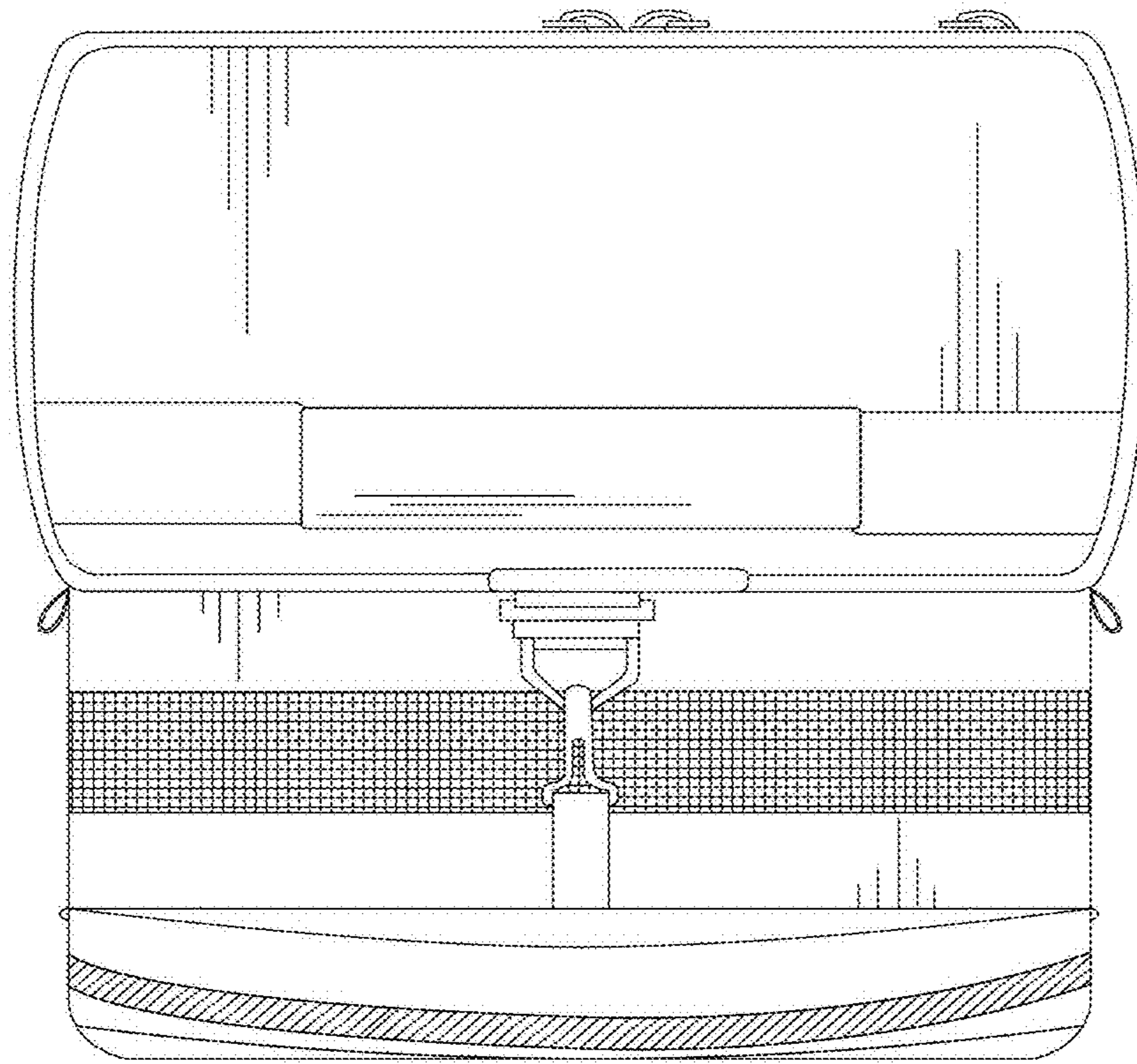


FIG. 6

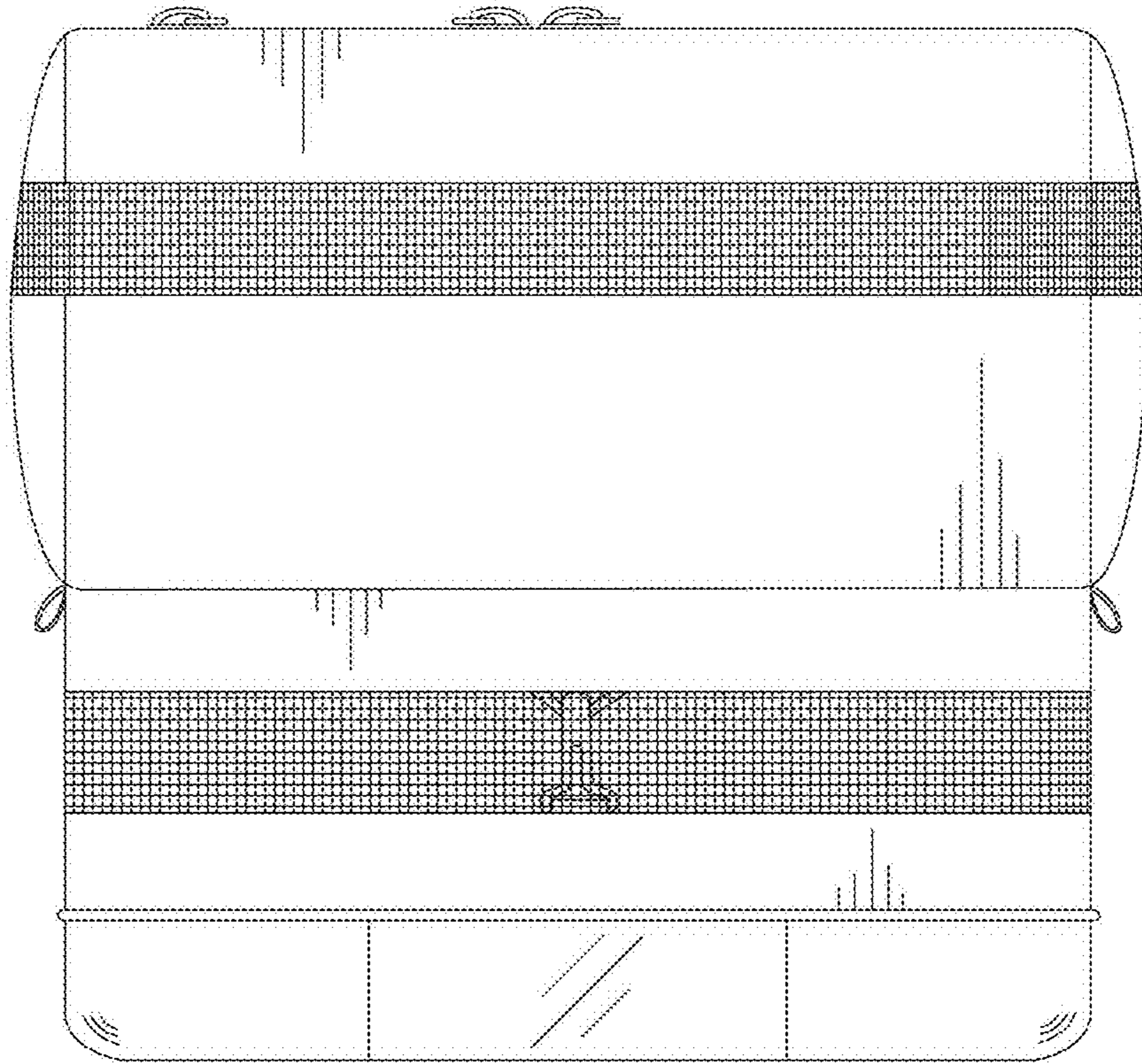


FIG. 7