



US00D970890S

(12) **United States Design Patent**  
**Liu et al.**

(10) **Patent No.:** **US D970,890 S**

(45) **Date of Patent:** **\*\* Nov. 29, 2022**

(54) **FIREPROOF TRUNK ORGANIZER**

(71) Applicant: **Shenzhen Yihuaxing Technology Co., Ltd.**, Shenzhen (CN)

(72) Inventors: **Yuming Liu**, Lianyuan (CN); **Xuyang He**, Lianyuan (CN)

(\*\*) Term: **15 Years**

(21) Appl. No.: **29/798,643**

(22) Filed: **Jul. 9, 2021**

(51) **LOC (13) Cl.** ..... **03-01**

(52) **U.S. Cl.**

USPC ..... **D3/283**; D3/302

(58) **Field of Classification Search**

USPC ..... D3/246, 273, 274, 276, 283, 286, 289,  
D3/290, 299, 300, 301, 902, 302;  
D12/423, 425

CPC ..... B60R 7/02; A45C 7/0036

See application file for complete search history.

(56) **References Cited**

**U.S. PATENT DOCUMENTS**

- 6,149,040 A \* 11/2000 Walker ..... B60R 7/02  
224/42.32
- D446,937 S \* 8/2001 Mogil ..... A45C 7/0077  
D3/273
- D539,036 S \* 3/2007 Potts ..... D3/311
- D563,105 S \* 3/2008 Rothschild ..... D3/276
- D602,253 S \* 10/2009 Rees ..... D3/289
- 9,084,463 B2 \* 7/2015 Merrill ..... A45C 5/06
- 9,527,626 B1 \* 12/2016 Coronado ..... B65D 11/186
- D821,959 S \* 7/2018 Baker ..... D12/425
- D864,567 S 10/2019 Kincade et al.
- D872,477 S 1/2020 Perella et al.
- D873,565 S \* 1/2020 Long ..... D3/290
- 10,561,214 B2 \* 2/2020 Soued ..... A45C 7/0036
- 10,689,156 B2 \* 6/2020 Sawachi ..... A45C 7/0036
- D906,670 S 1/2021 Kuhls
- D911,710 S \* 3/2021 Karalis ..... D3/289

- D917,167 S \* 4/2021 Fenech ..... D3/290
- D925,223 S \* 7/2021 Liu ..... D3/902
- D942,366 S \* 2/2022 Liang ..... D12/425
- D945,770 S \* 3/2022 Liu ..... D3/289
- D946,893 S \* 3/2022 Liu ..... D3/289
- D948,803 S \* 4/2022 Dooling ..... D29/124

**OTHER PUBLICATIONS**

Amazon.co.uk, “Car Boot Organiser Fireproof . . .”, First on sale Jul. 9, 2021. (<https://www.amazon.co.uk/dp/B09923ZKY1>) (Year: 2021).\*

Amazon, “JDI Collapsible Trunk Organizer . . .”, First on sale Nov. 8, 2021. (<https://www.amazon.com/JDI-Collapsible-Waterproof-Reflective-Reinforced/dp/B09L7RXZT1>) (Year: 2021).\*

\* cited by examiner

*Primary Examiner* — April Rivas

(74) *Attorney, Agent, or Firm* — Rumit R. Kanakia

(57) **CLAIM**

The ornamental design for a fireproof trunk organizer, as shown and described.

**DESCRIPTION**

FIG. 1 is a perspective view of a fireproof trunk organizer showing our new design;

FIG. 2 is a perspective exploded view thereof;

FIG. 3 is a perspective compressed view thereof, the top being shown removed for clarity of disclosure;

FIG. 4 is a left side view thereof;

FIG. 5 is a front view thereof;

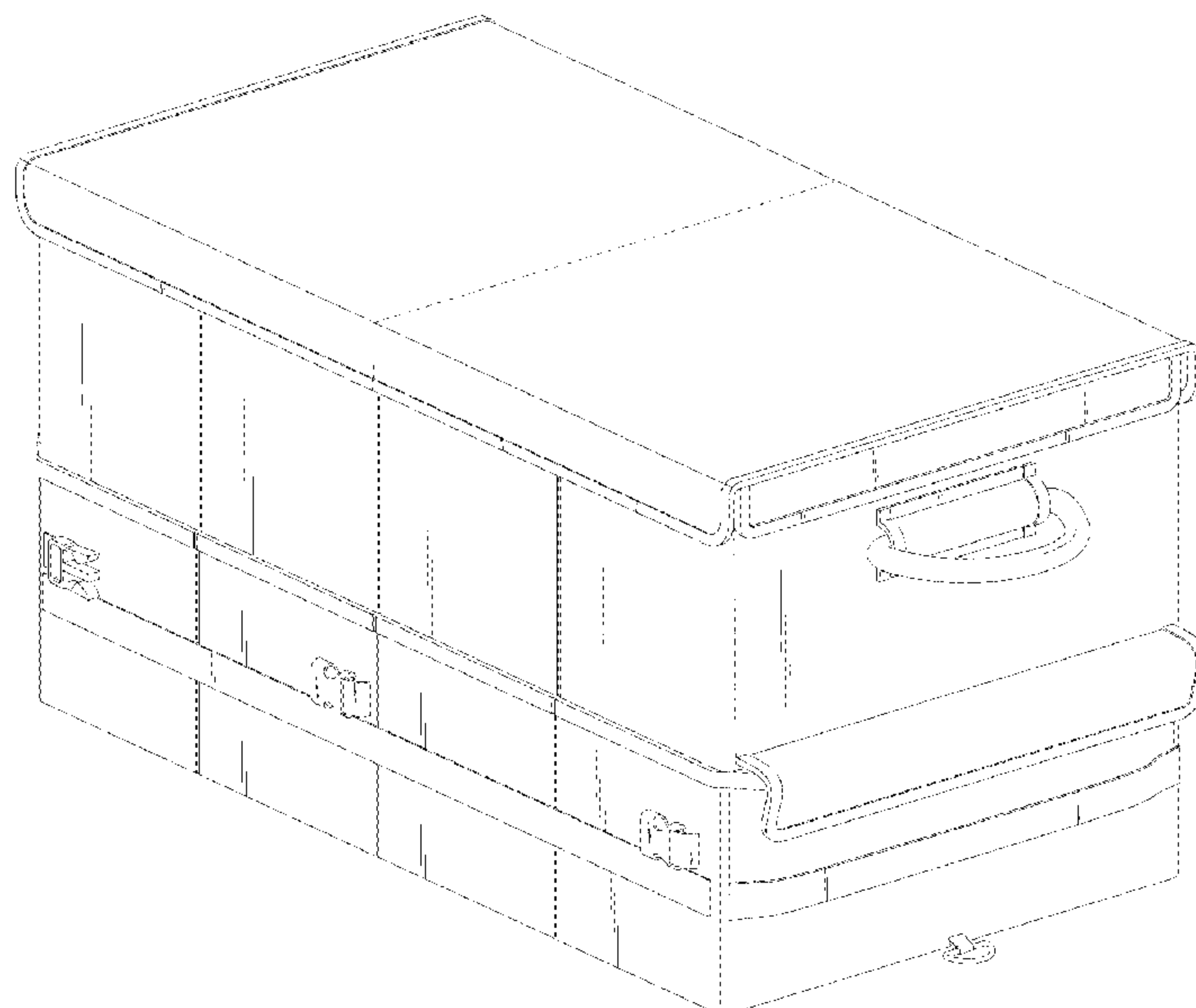
FIG. 6 is a right side view thereof;

FIG. 7 is a back view thereof; and,

FIG. 8 is a bottom view thereof.

The broken lines shown in the drawings depict portions of the fireproof trunk organizer in which the design is embodied that form no part of the claimed design.

**1 Claim, 8 Drawing Sheets**



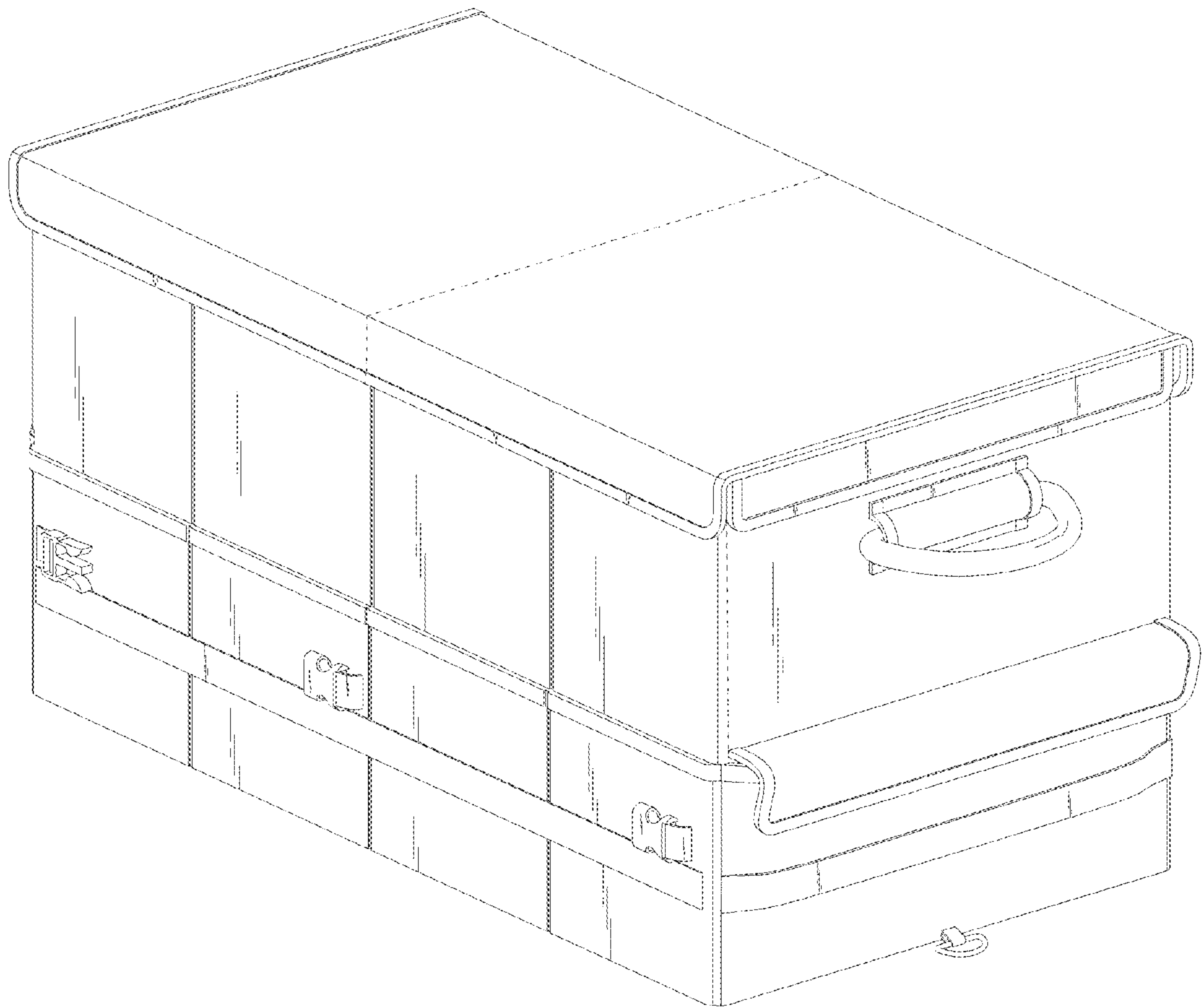


FIG. 1

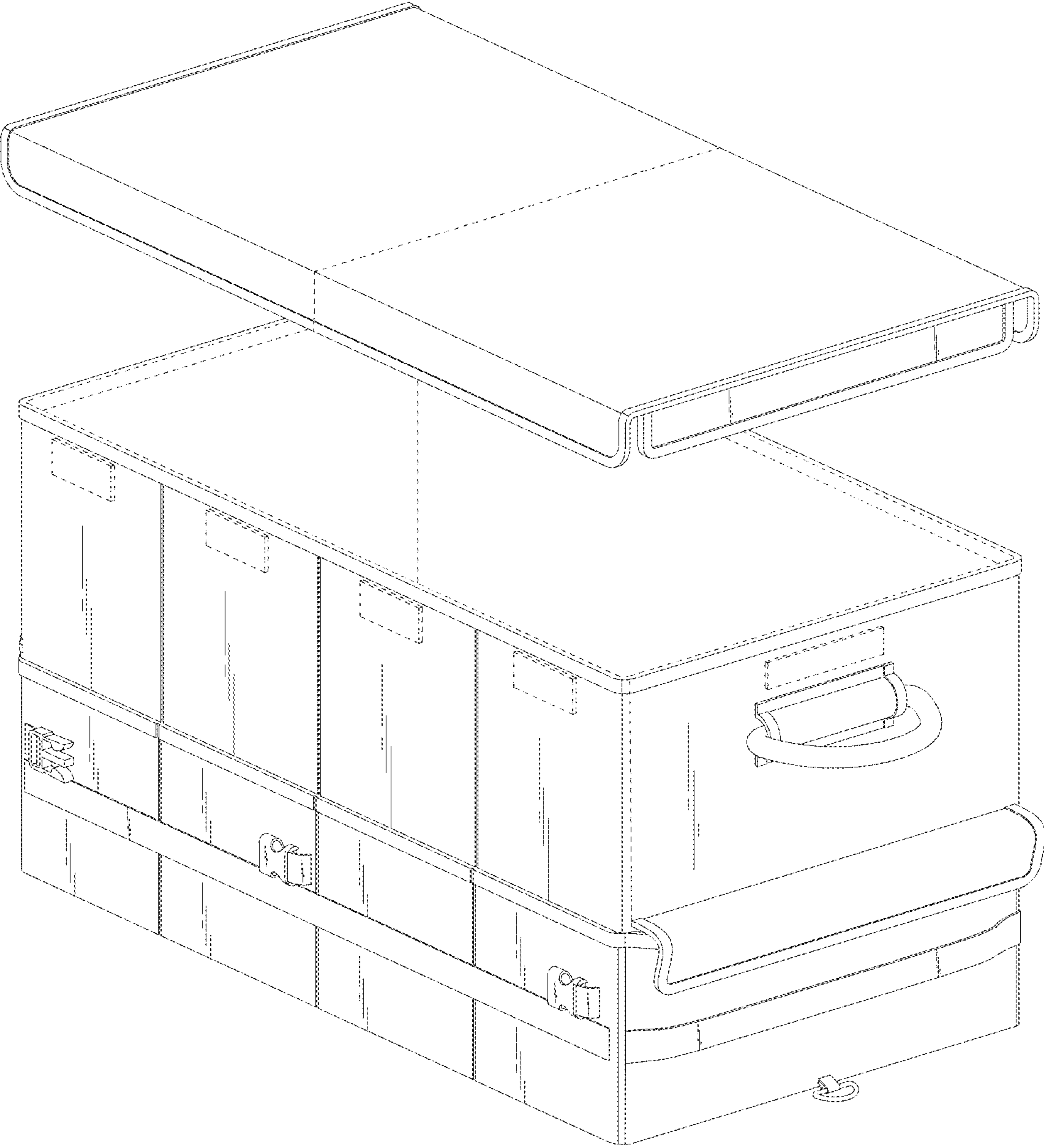


FIG. 2

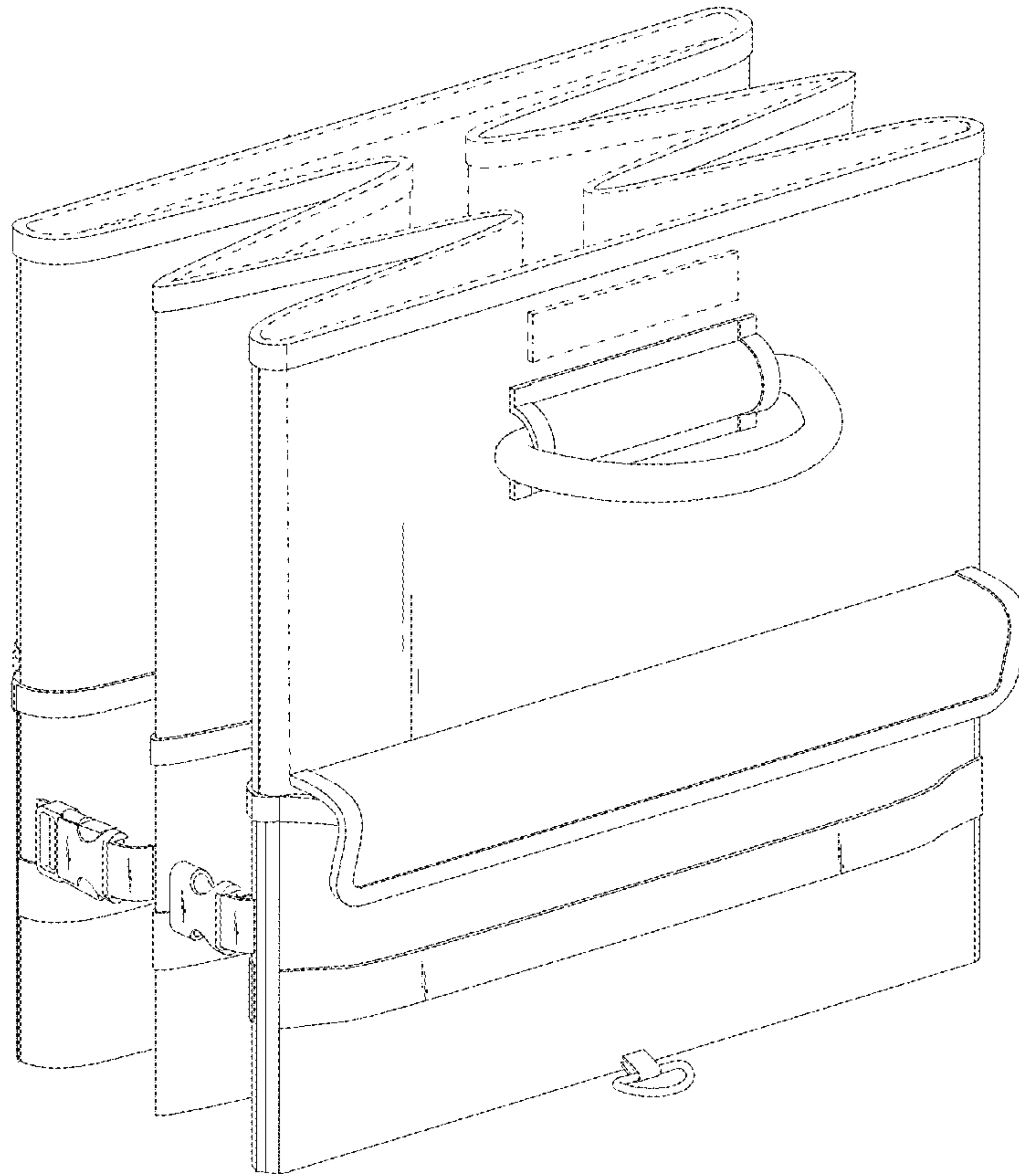


FIG. 3

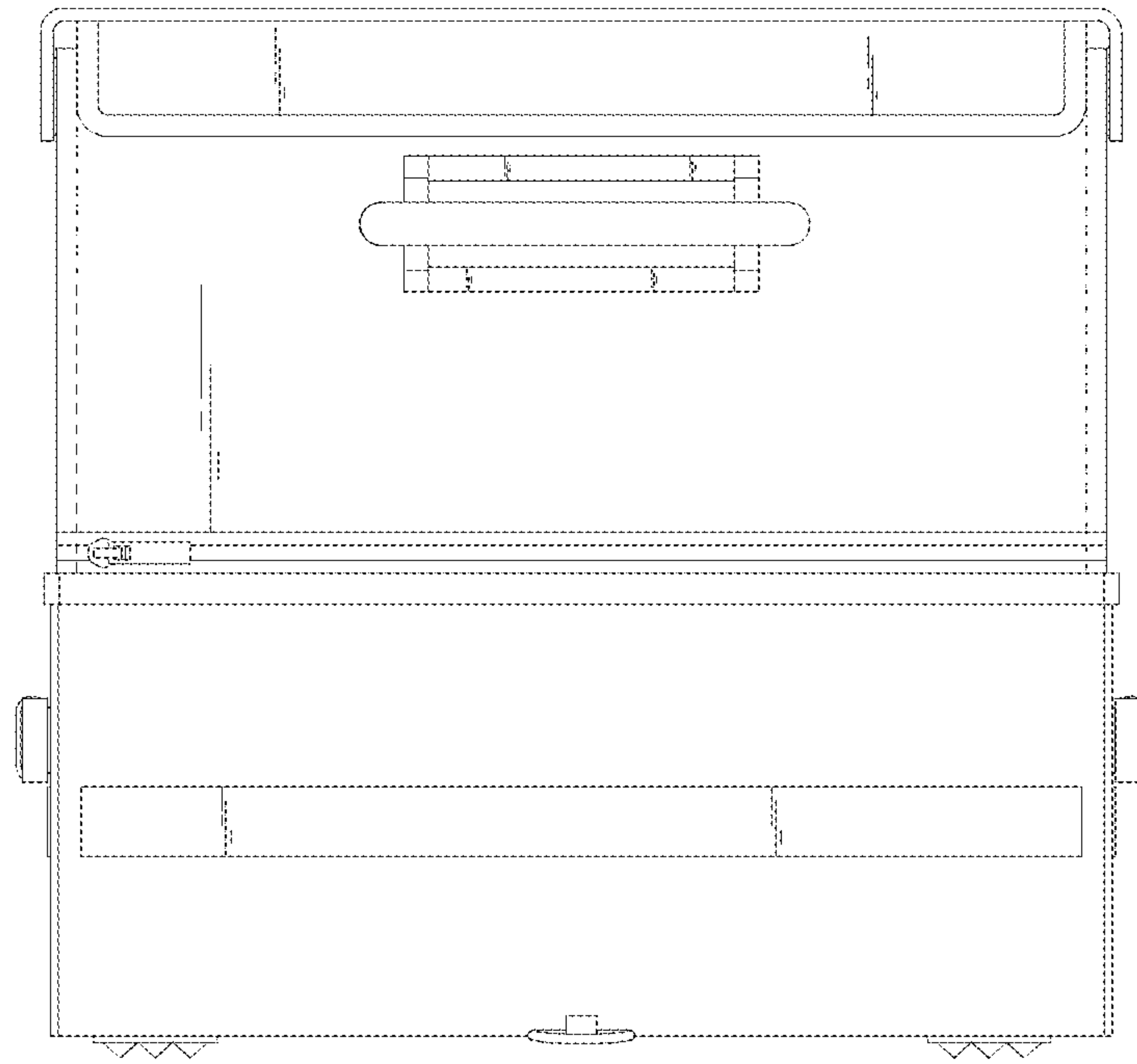


FIG. 4



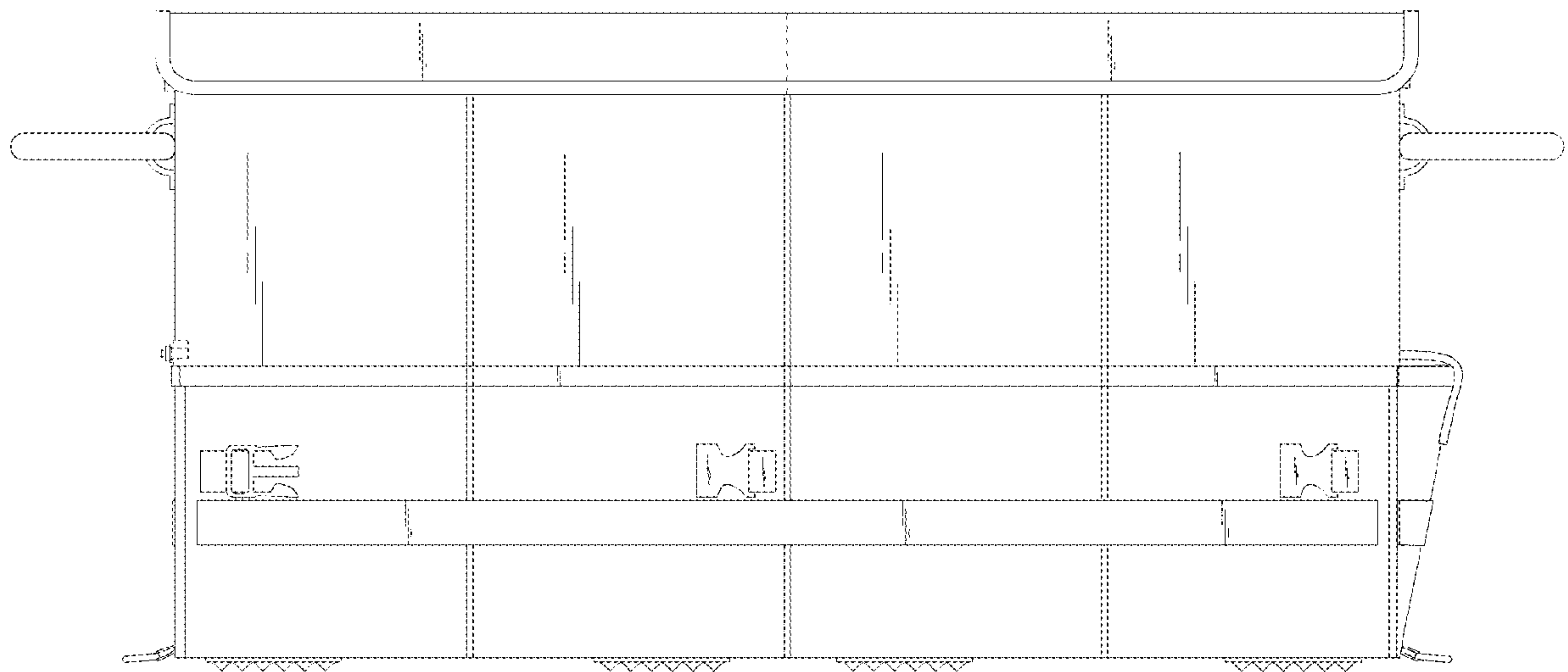


FIG. 5

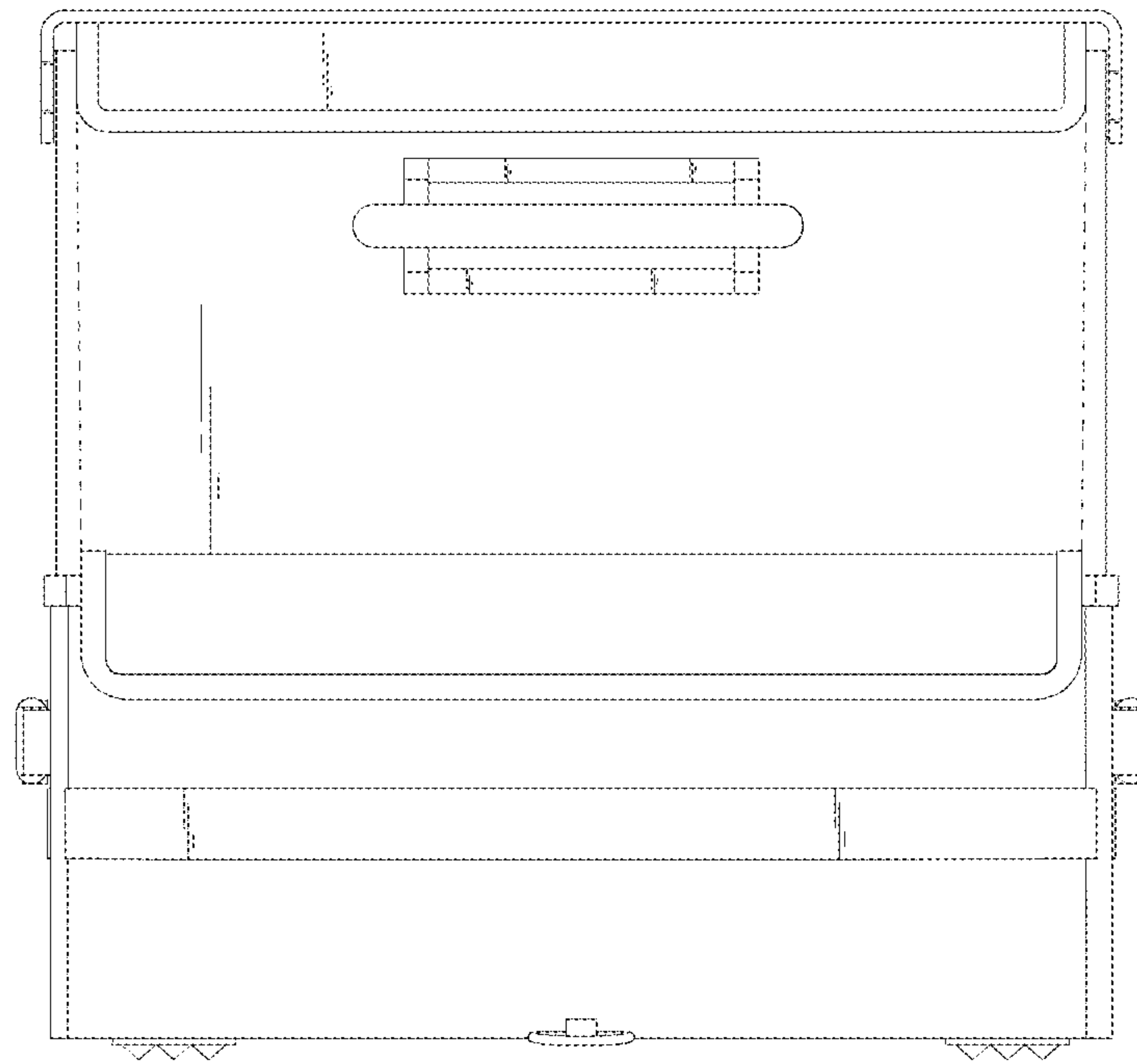


FIG. 6

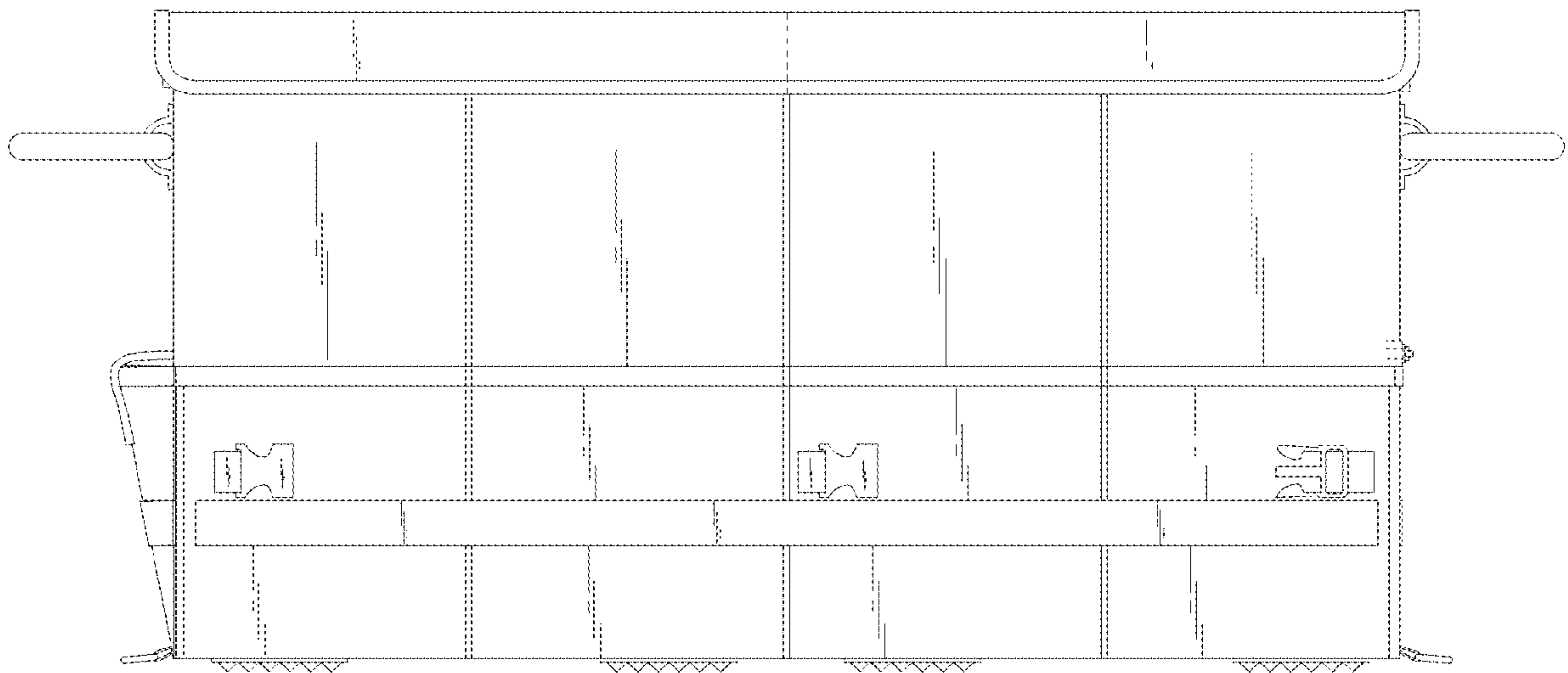


FIG. 7



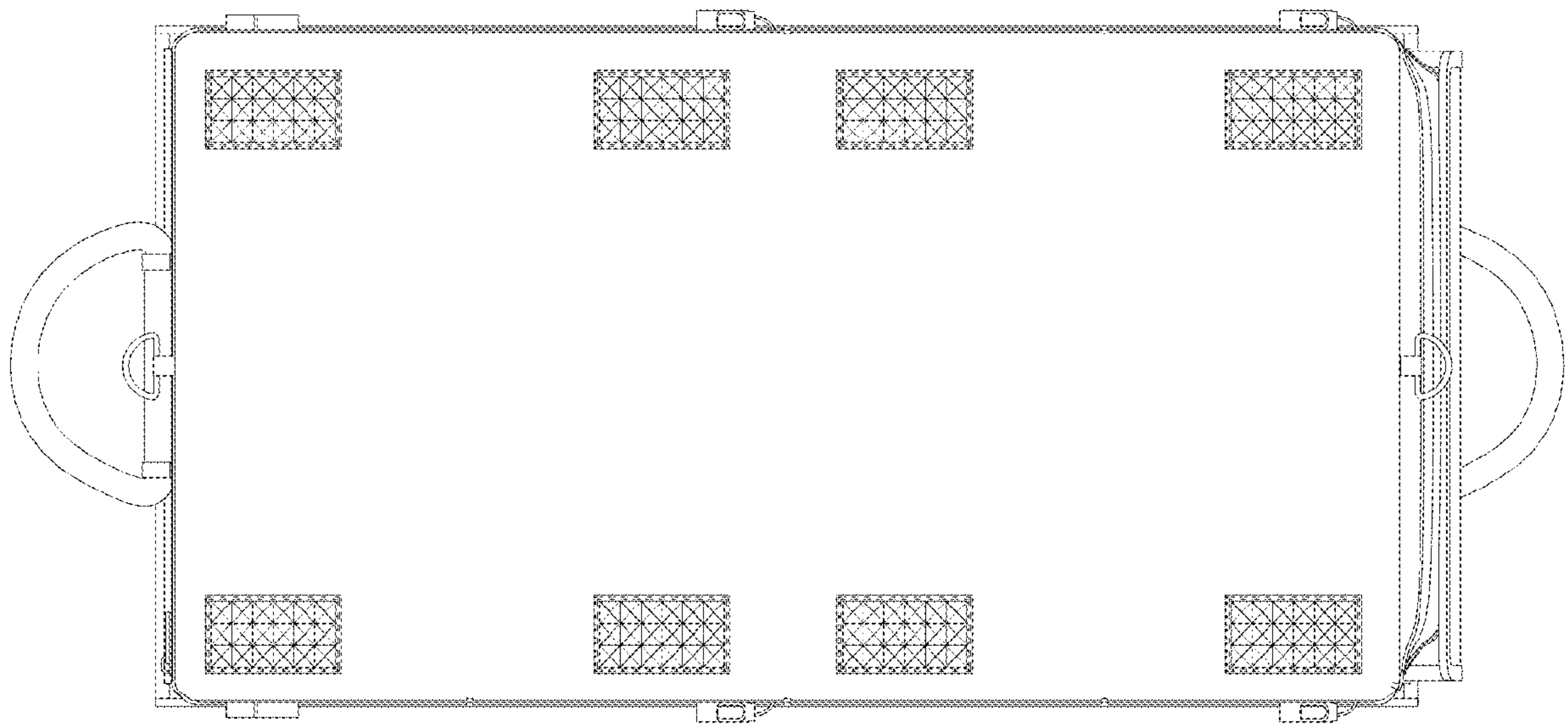


FIG. 8