



US00D970889S

(12) **United States Design Patent**
Shimizu et al.

(10) **Patent No.:** **US D970,889 S**

(45) **Date of Patent:** **** Nov. 29, 2022**

(54) **LUGGAGE TROLLEY BAG**

(71) Applicants: **Hiroshi Yamashita**, Chiba (JP); **Emiko Nara**, Saitama (JP); **Seiji Shimizu**, Saitama (JP); **Yuji Shimizu**, Saitama (JP)

(72) Inventors: **Seiji Shimizu**, Saitama (JP); **Emiko Nara**, Koshigaya (JP)

(**) Term: **15 Years**

(21) Appl. No.: **35/510,543**

(22) Filed: **Apr. 10, 2020**

(80) **Hague Agreement Data**

Int. Filing Date: **Apr. 10, 2020**

Int. Reg. No.: **DM/208863**

Int. Reg. Date: **Apr. 10, 2020**

Int. Reg. Pub. Date: **Oct. 16, 2020**

(30) **Foreign Application Priority Data**

Oct. 21, 2019 (JP) 2019-023386

Oct. 21, 2019 (JP) 2019-023387

(51) **LOC (13) Cl.** **03-01**

(52) **U.S. Cl.**
USPC **D3/279**; D3/281

(58) **Field of Classification Search**
USPC D3/276, 279, 281, 282, 290, 291, 294,
D3/321, 902, 323–324, 232–233,
D3/240–243, 245–246
CPC A45C 1/024; A45C 3/08
See application file for complete search history.

(56) **References Cited**

U.S. PATENT DOCUMENTS

D249,395 S * 9/1978 Kling D3/246
D522,747 S * 6/2006 Tortorella D3/279
D530,513 S * 10/2006 Oh D3/289

D587,901 S * 3/2009 Pidgeon D3/232
D623,855 S * 9/2010 Elliott D3/279
D663,953 S * 7/2012 Chidiac D3/279
D666,414 S * 9/2012 Giovannoni D3/279
D672,141 S * 12/2012 Harbinson D3/232
D678,676 S * 3/2013 Bettua D3/276
D679,907 S * 4/2013 Kwon D3/279
D721,230 S * 1/2015 Yu D3/279
D731,182 S * 6/2015 Yu D3/279
D735,993 S * 8/2015 Koepke D3/905
D764,165 S * 8/2016 Lagerfeld D3/246
D781,051 S * 3/2017 Leopardi D3/232
D786,362 S * 5/2017 Pickavance D21/423
D812,908 S * 3/2018 Shum D3/279
D840,149 S * 2/2019 Lemaire D3/240

(Continued)

OTHER PUBLICATIONS

“Hat Boxes” [online]. CALPAK. [Retrieved on Mar. 13, 2022]. Retrieved from the Internet: <<https://www.calpaktravel.com/collections/hat-boxes#>>.*

Primary Examiner — Mojtaba Tehrani

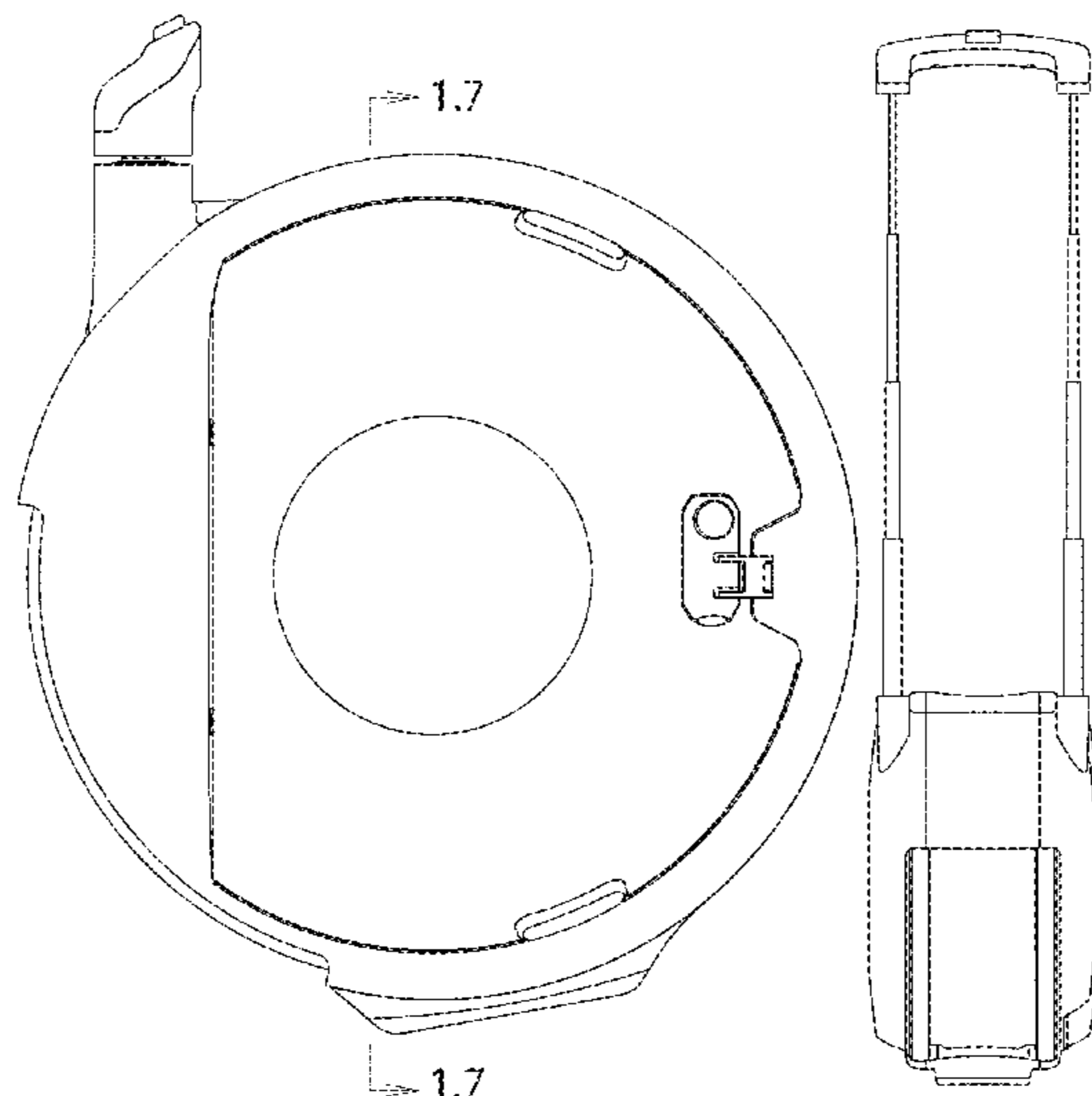
(57) **CLAIM**

The ornamental design for a luggage trolley bag, as shown.

DESCRIPTION

1. Luggage Trolley Bag
1.1 : Front elevation view;
1.2 : Back elevation view;
1.3 : Top plan view;
1.4 : Bottom plan view;
1.5 : Left side elevation view;
1.6 : Right side elevation view;
1.7 : Cross sectional view along the cut line **1.7**;
1.8 : Cross sectional view along the cut line **1.8**;
1.9 : Front elevation view with the open lid configuration;
1.10 : Top plan elevation view with the open lid configuration; and
1.11 : Left side elevation view with the carry handle in extended configuration.

1 Claim, 11 Drawing Sheets



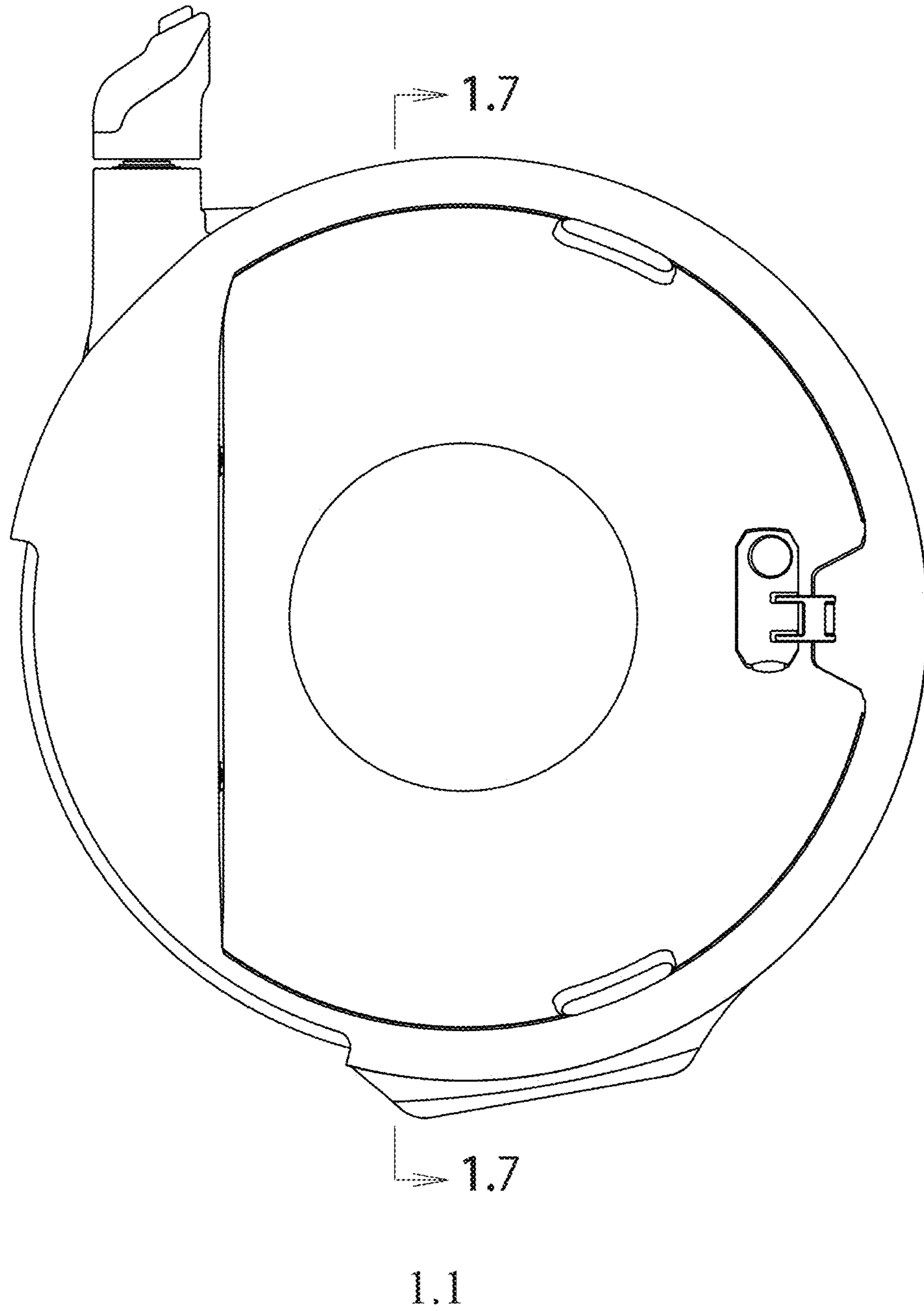
(56)

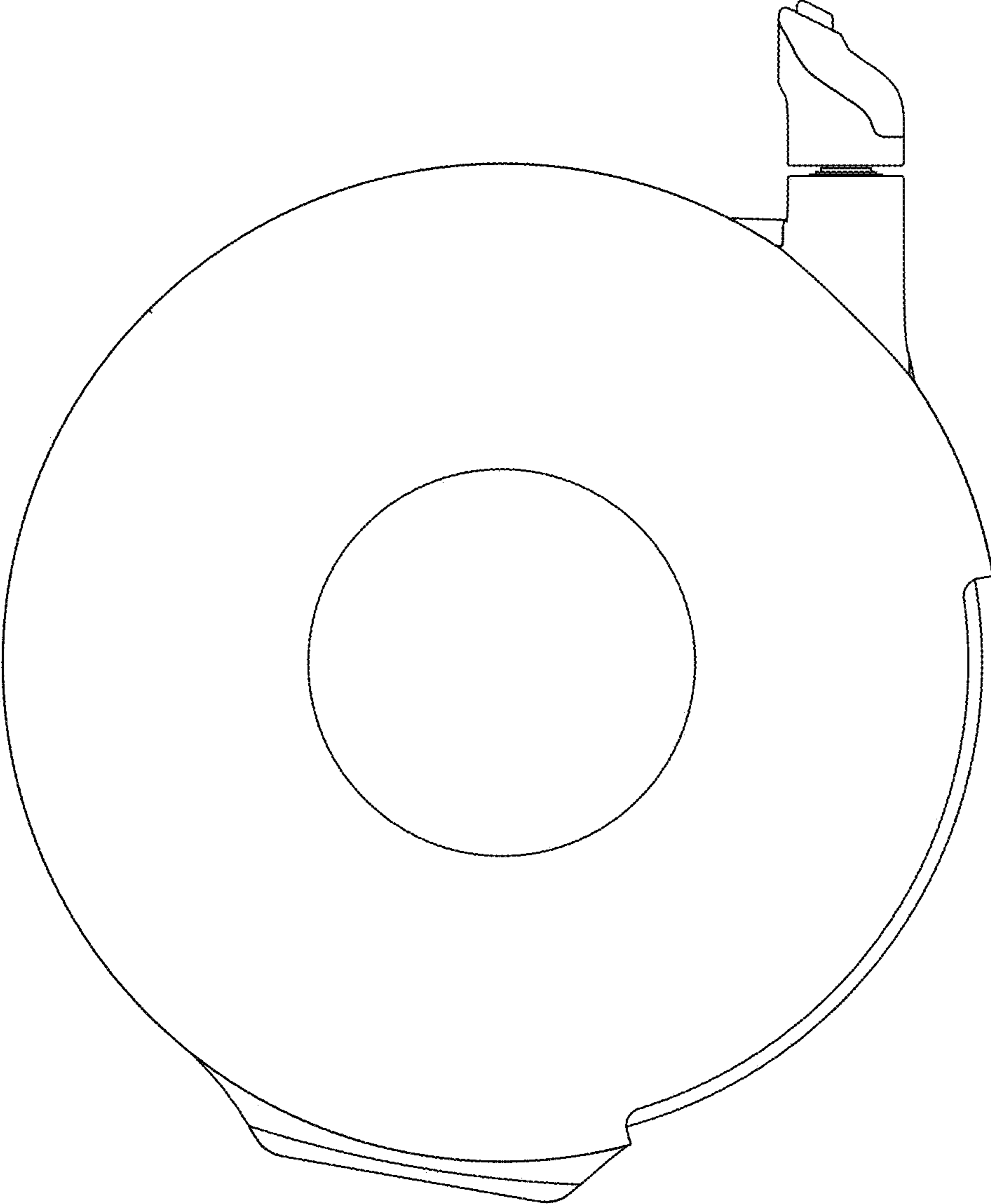
References Cited

U.S. PATENT DOCUMENTS

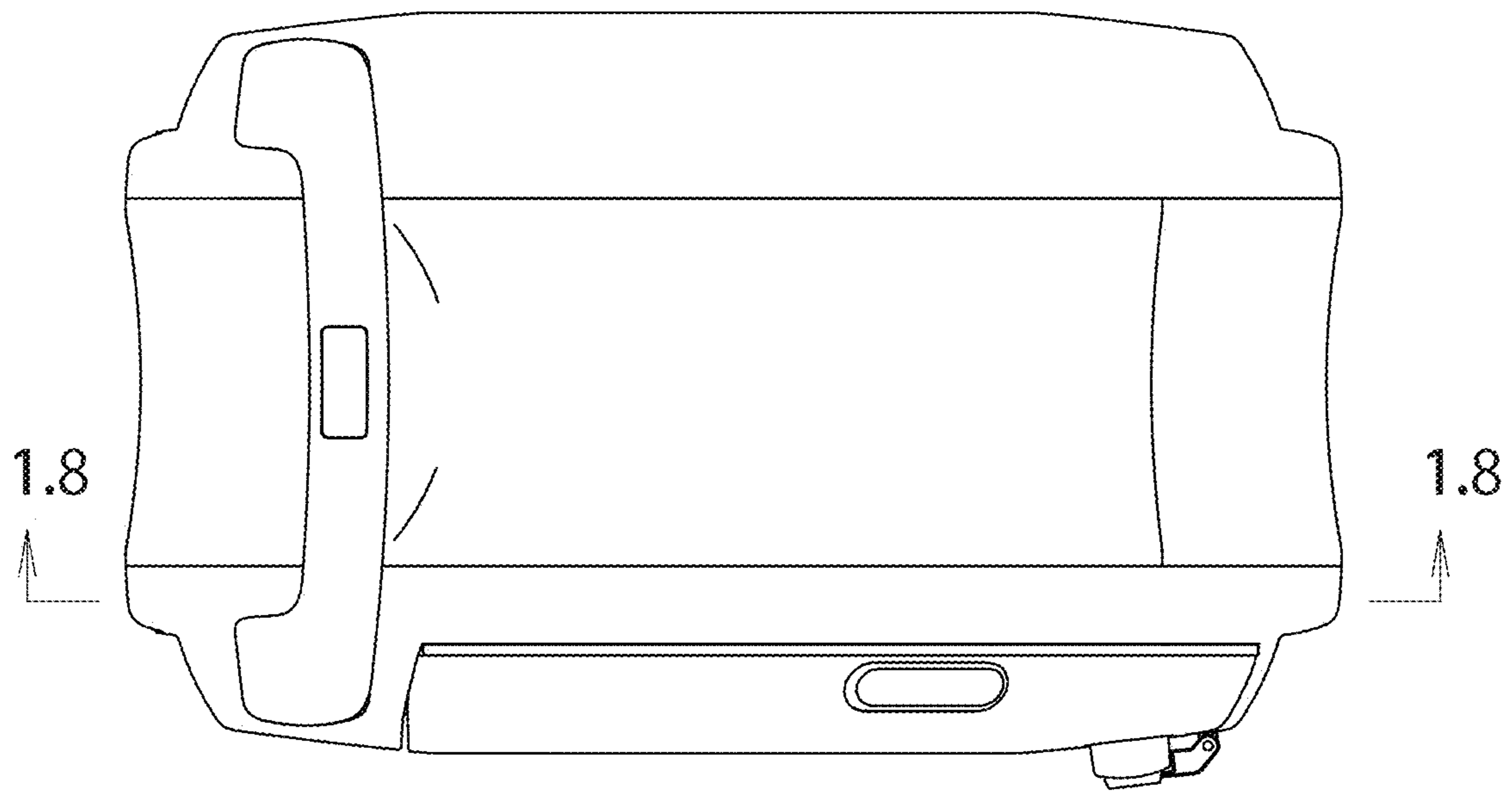
D872,473 S * 1/2020 Yu D3/289
D872,475 S * 1/2020 Yu D3/289

* cited by examiner

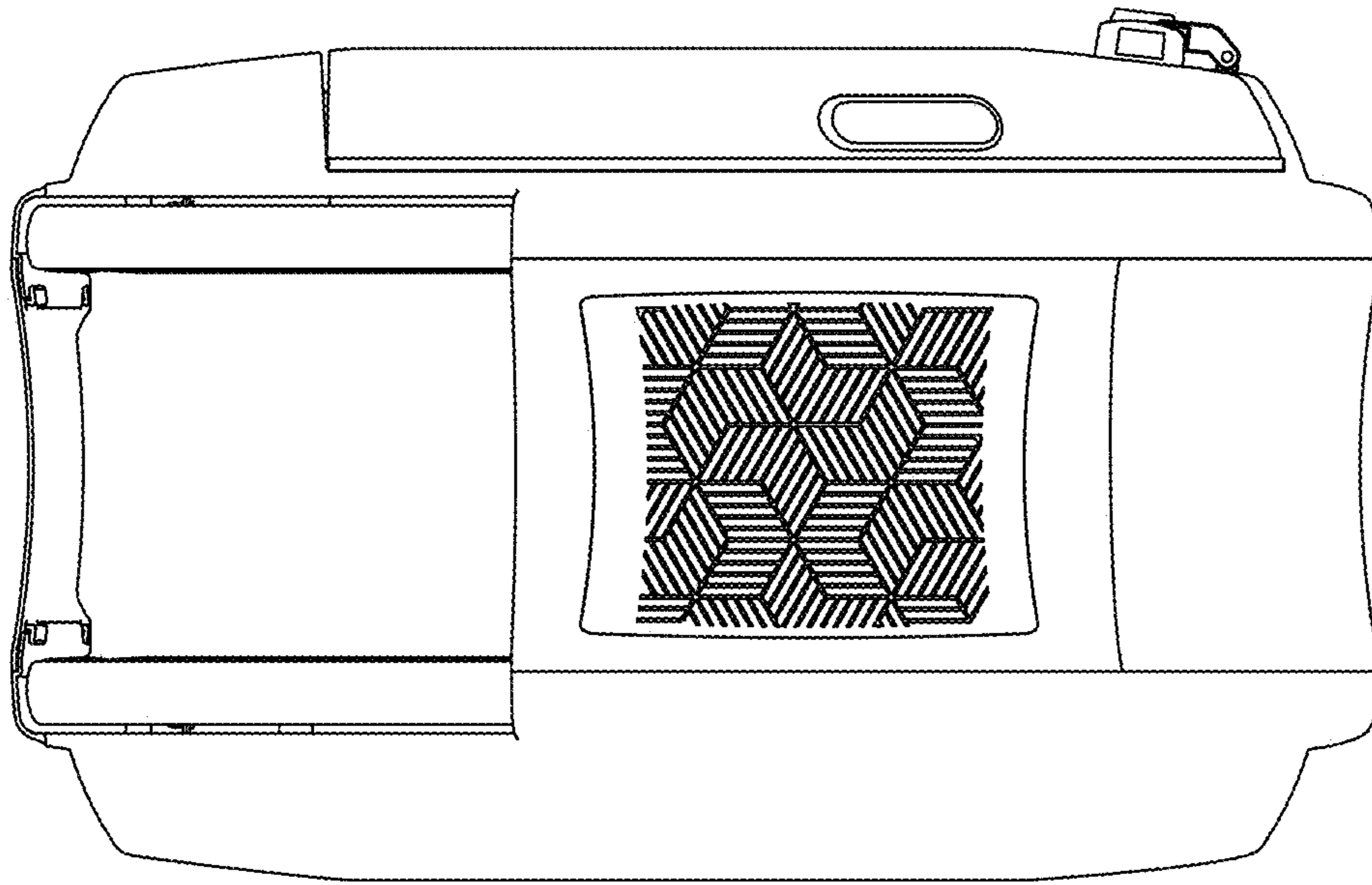




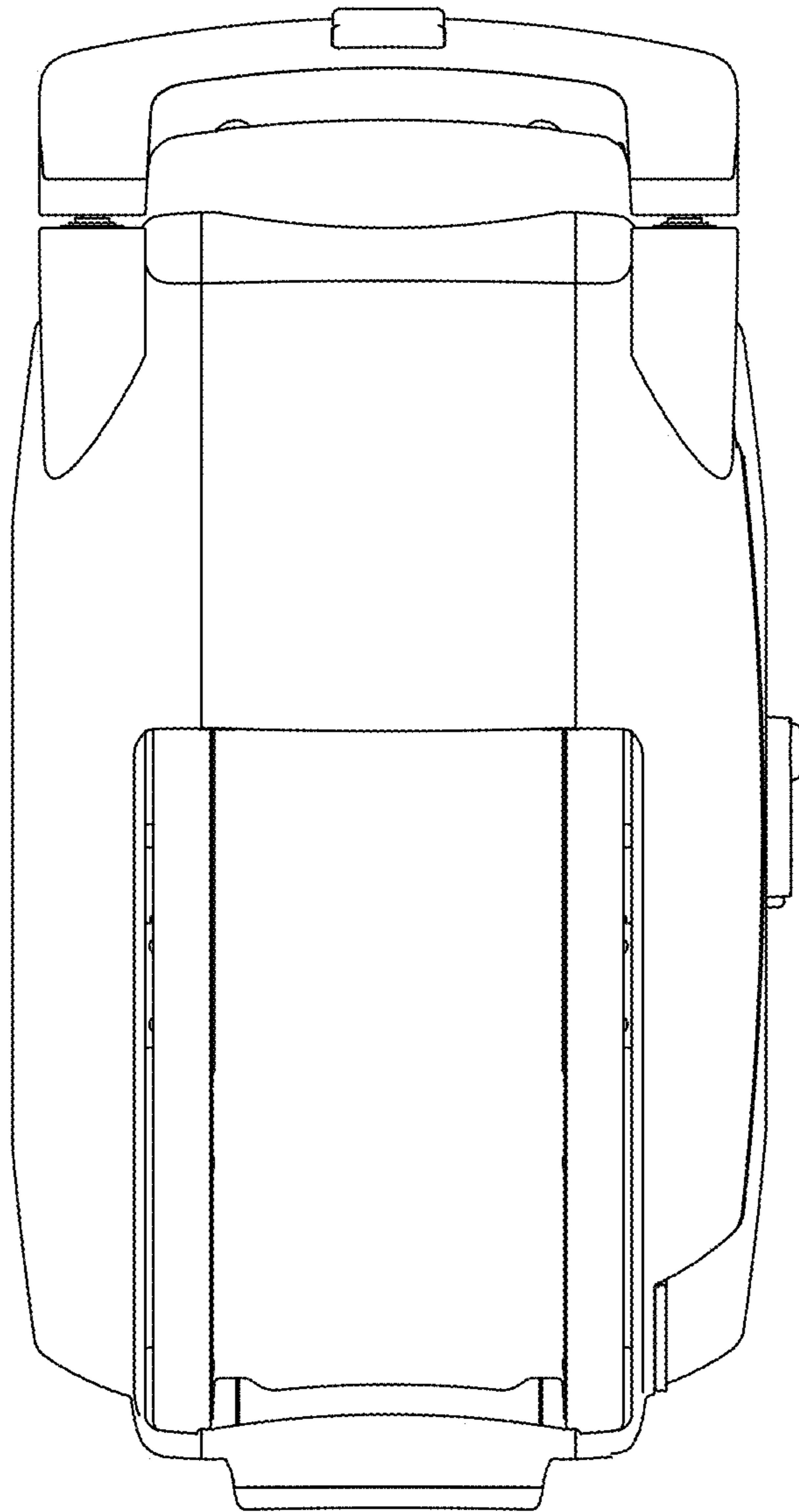
1.2



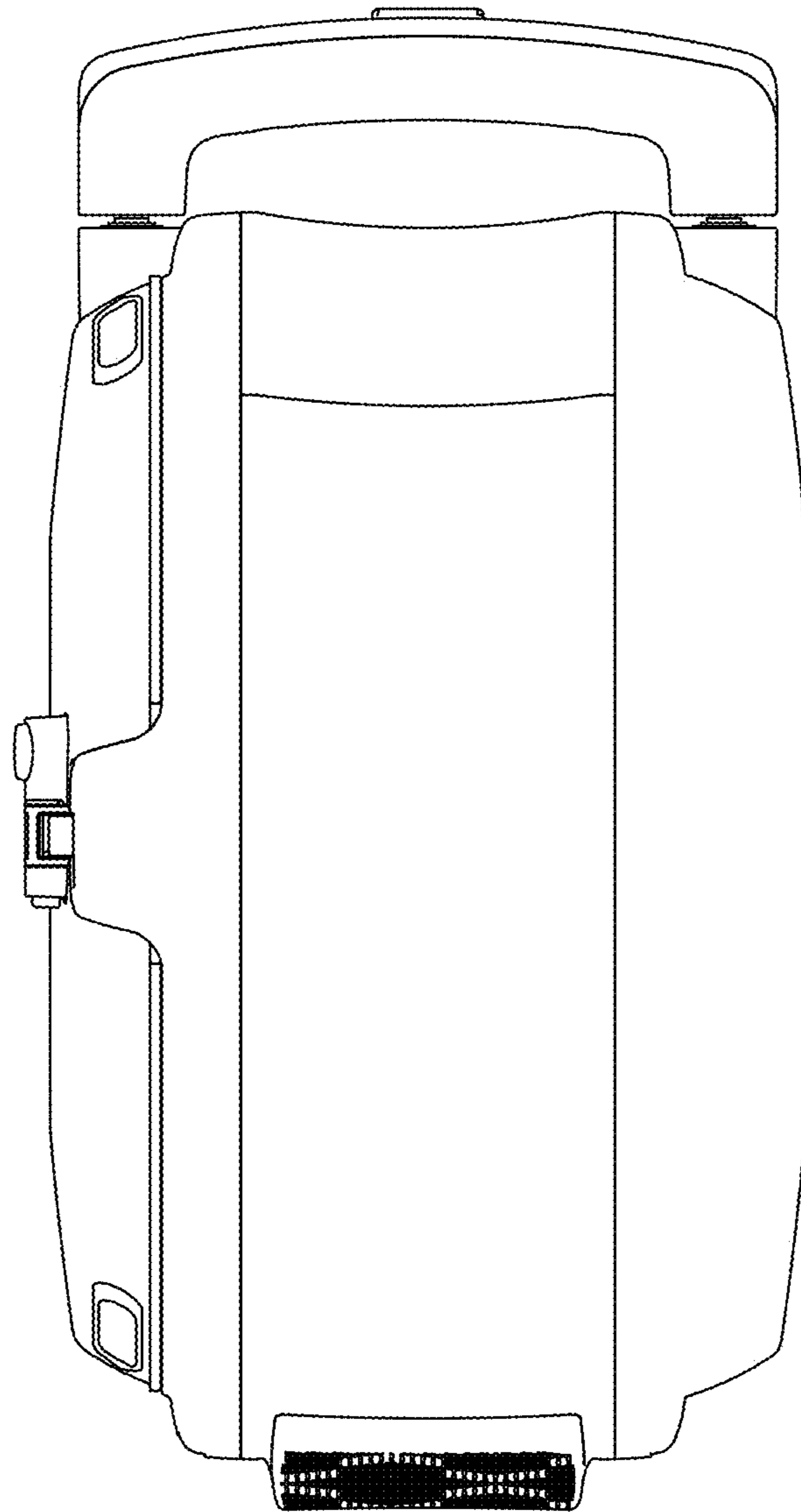
1.3



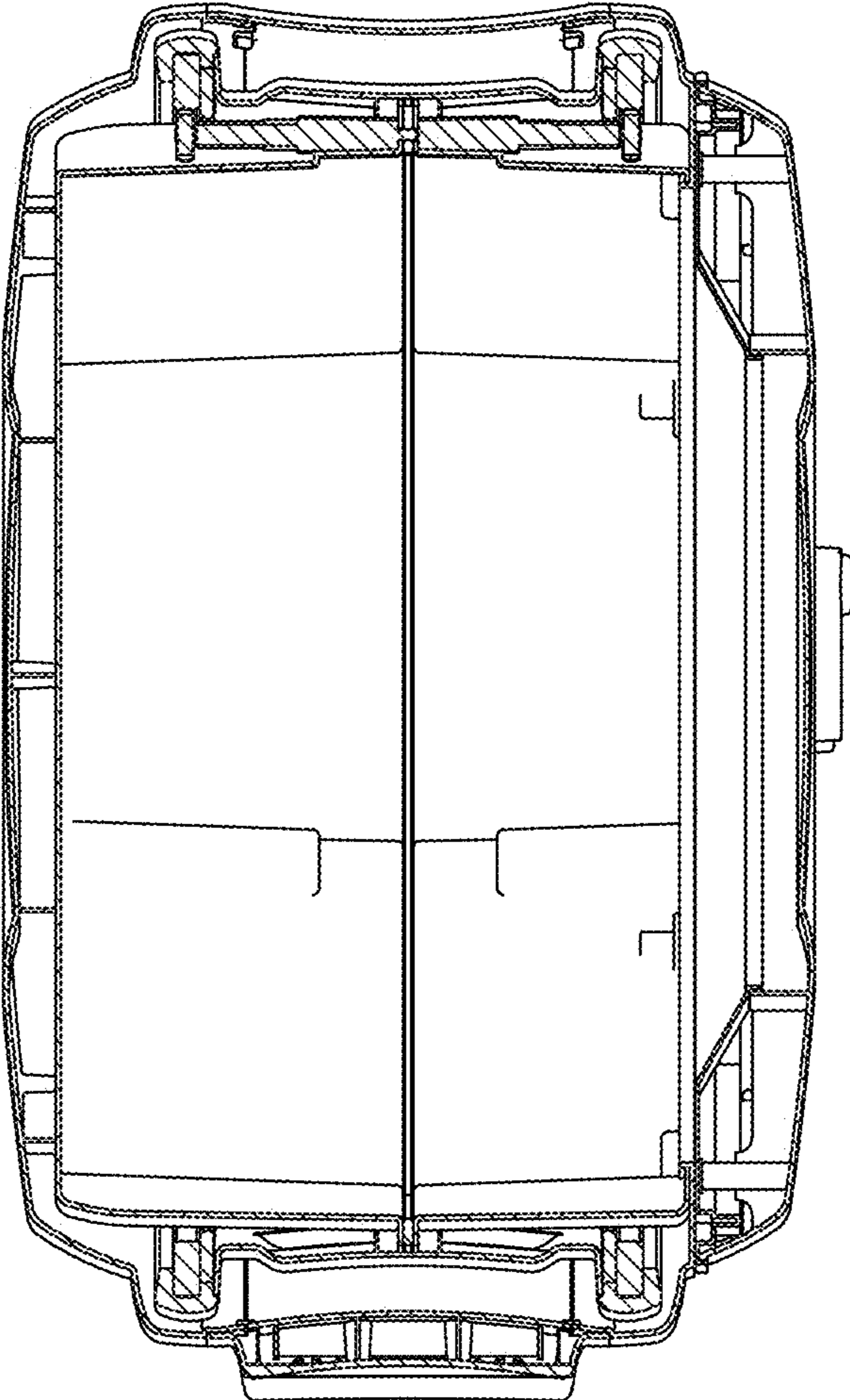
1.4



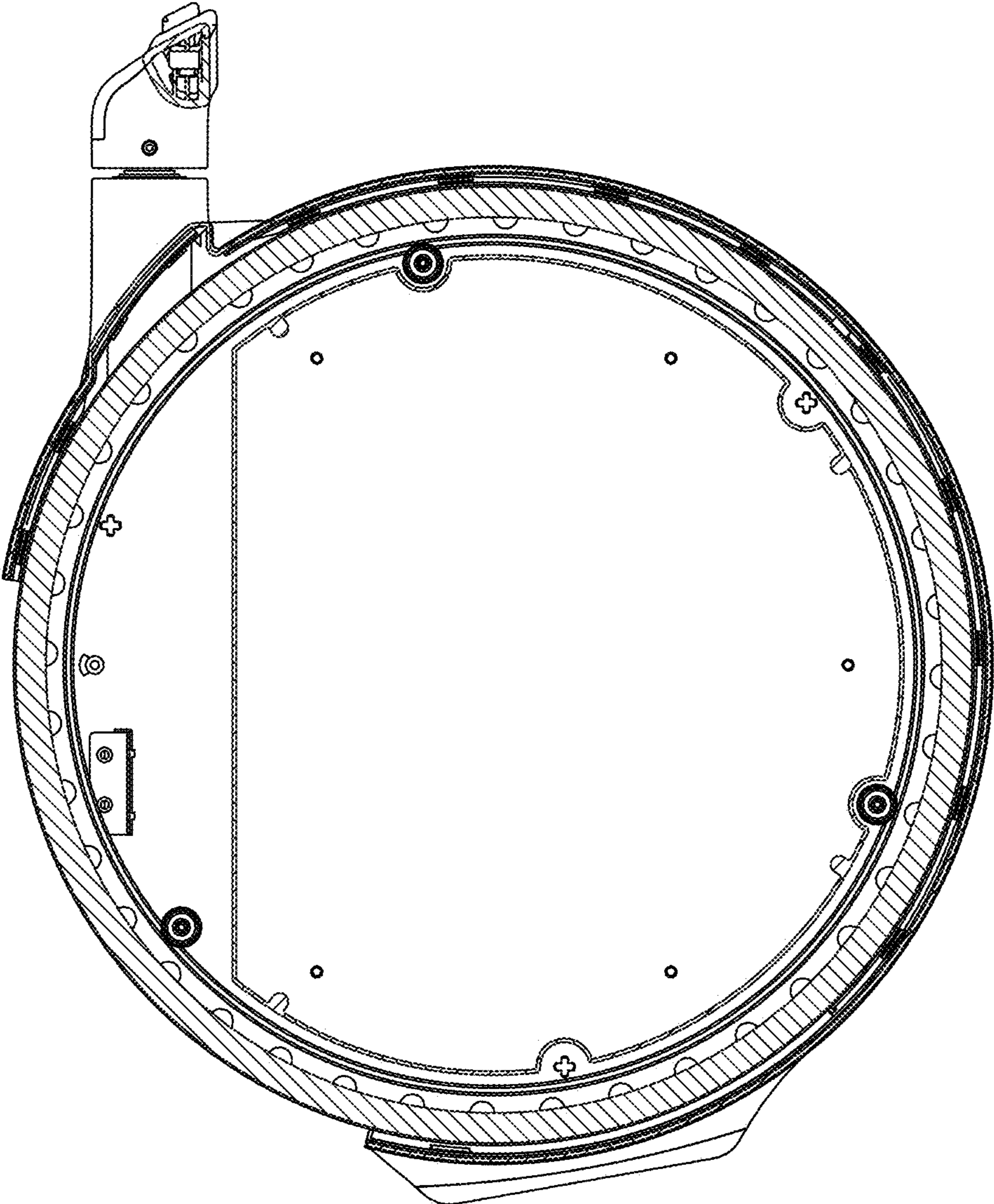
1.5



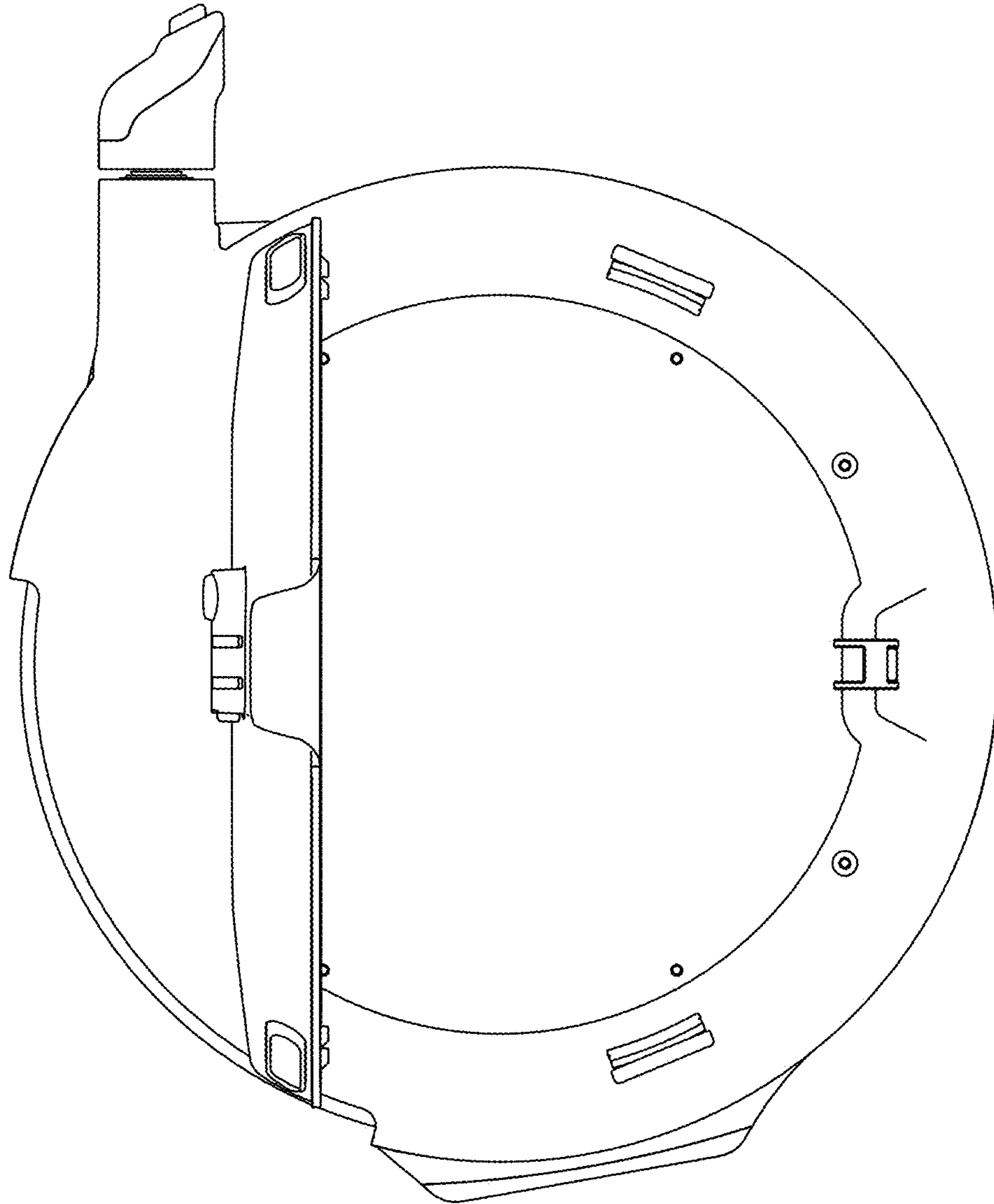
1.6



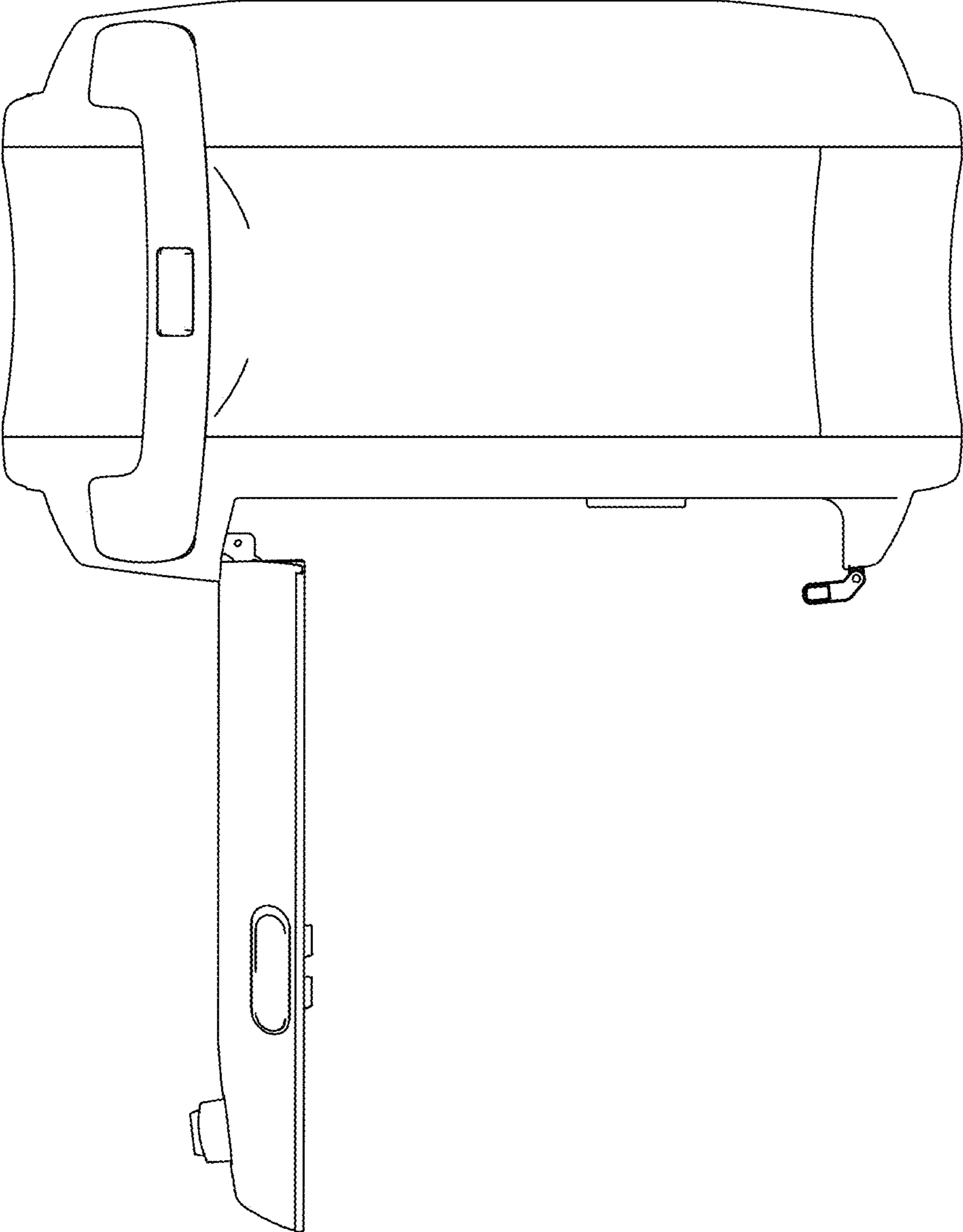
1.7



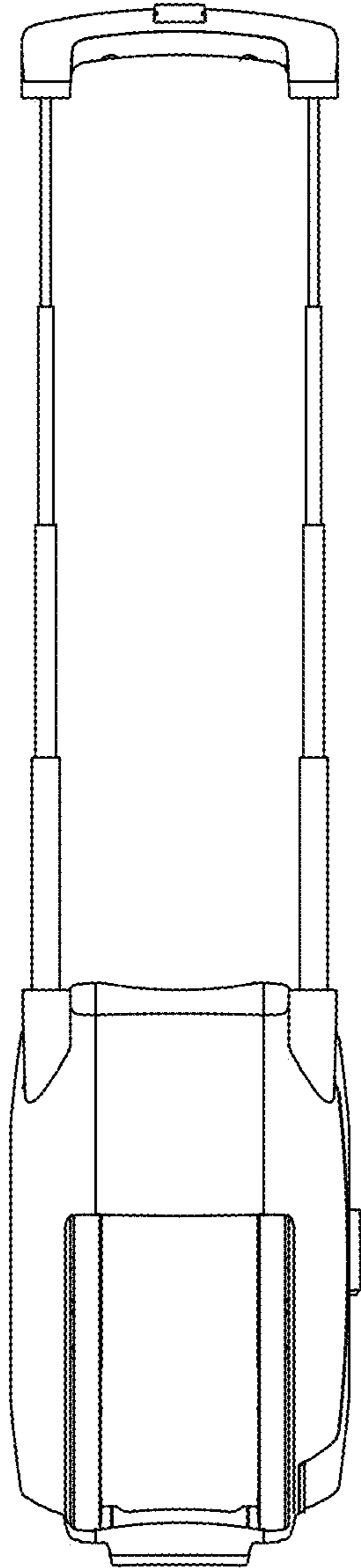
1.8



1.9



1.10



1.11