

US00D970887S

(12) **United States Design Patent**
Kalbach

(10) **Patent No.:** **US D970,887 S**

(45) **Date of Patent:** **** Nov. 29, 2022**

- (54) **CARD HOLDER CASE**
- (71) Applicant: **EK Ekcessories, Inc.**, Nibley, UT (US)
- (72) Inventor: **Edward Van Lee Kalbach**, Nibley, UT (US)
- (73) Assignee: **EK Ekcessories, Inc.**, Nibley, UT (US)
- (**) Term: **15 Years**
- (21) Appl. No.: **29/652,556**
- (22) Filed: **Sep. 17, 2020**
- (51) **LOC (13) Cl.** **03-01**
- (52) **U.S. Cl.**
USPC **D3/247**
- (58) **Field of Classification Search**
USPC D3/247, 248, 249, 273, 300, 302;
D9/415, 457, 702, 711, 722; D19/9, 10,
D19/11; D20/27, 40; D21/392
CPC B65D 27/00; B65D 73/00; B65D 75/26;
B65D 75/28; B65D 75/30; B65D 75/32;
B65D 75/34; B65D 75/36; B65D 75/38;
B65D 75/54; B65D 75/56; B65D 75/62;
B65D 75/64
See application file for complete search history.

- D787,593 S * 5/2017 Robins D19/113
- D814,785 S * 4/2018 Wang D3/227
- D819,455 S * 6/2018 Fahy D9/721
- D917,879 S * 5/2021 Chui D3/247
- 11,008,147 B2 * 5/2021 Glinert B65D 73/0042
- D923,933 S * 7/2021 Chen D3/249
- 2002/0088855 A1 * 7/2002 Hodes G06Q 20/354
235/385

OTHER PUBLICATIONS

Secureasy, posted at ekusa.com, posted on May 5, 2020, site visited Jan. 10, 2022. online, available from internet: <https://web.archive.org/web/20200505135545/https://ekusa.com/product-category/id-badges/> (Year: 2020).*

* cited by examiner

Primary Examiner — Catherine Ho
(74) *Attorney, Agent, or Firm* — TraskBritt

(57) **CLAIM**

The ornamental design for a card holder case, as shown and described.

DESCRIPTION

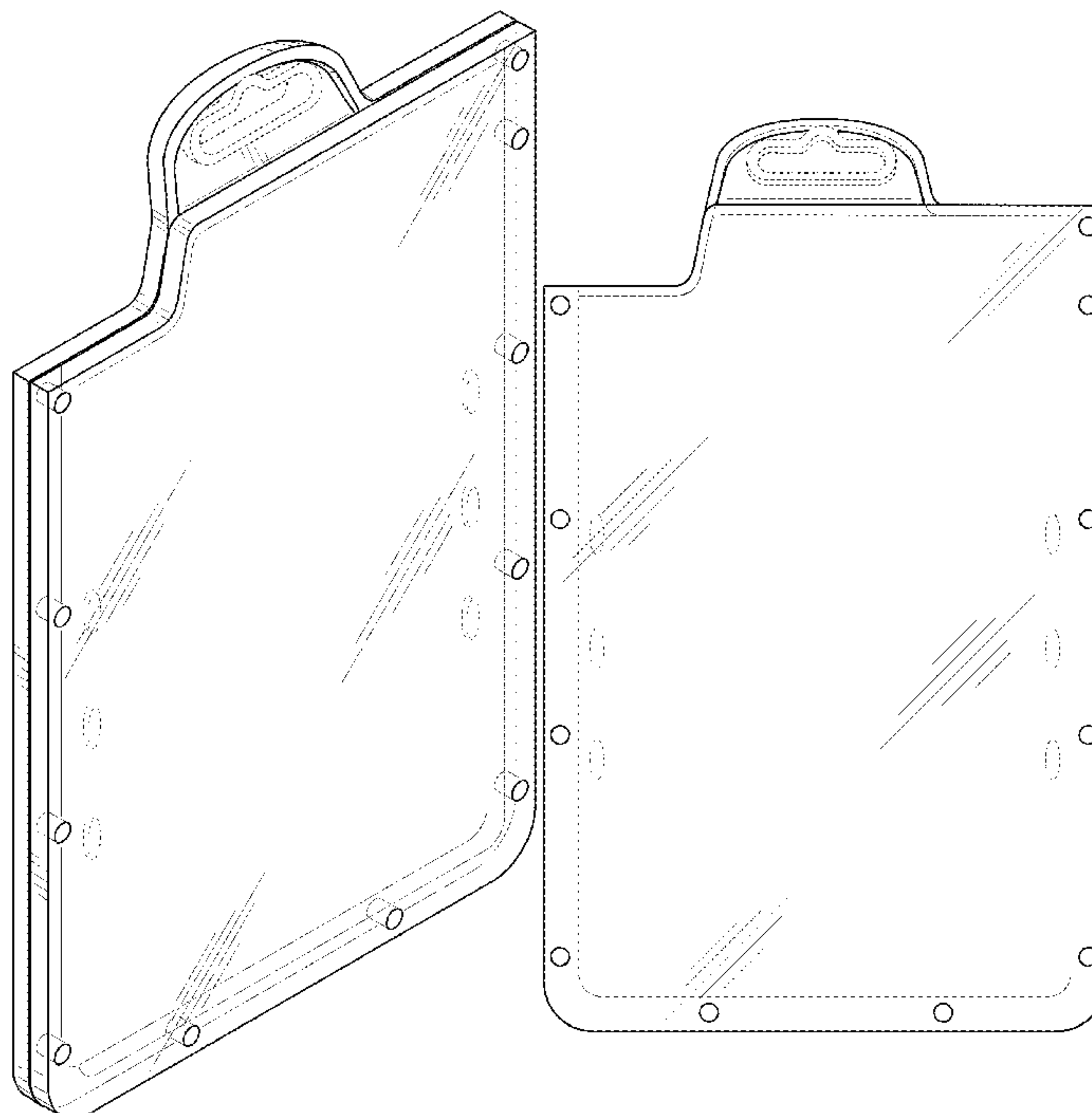
FIG. 1 is a top left perspective view of a card holder case, showing my new design;
FIG. 2 is a front view thereof;
FIG. 3 is a rear view thereof;
FIG. 4 is a right side view thereof;
FIG. 5 is a left side view thereof;
FIG. 6 is a top view thereof; and,
FIG. 7 is a bottom view thereof.
The broken lines illustrate portions of the article that form no part of the claimed design.

1 Claim, 5 Drawing Sheets

(56) **References Cited**

U.S. PATENT DOCUMENTS

- D628,797 S * 12/2010 Kalbach D3/247
- D628,798 S * 12/2010 Kalbach D3/247
- D656,994 S * 4/2012 Podd D20/42
- D728,930 S * 5/2015 Kalbach D3/247
- D733,922 S * 7/2015 Sjolander D24/233
- D775,738 S * 1/2017 Haukkala D24/225



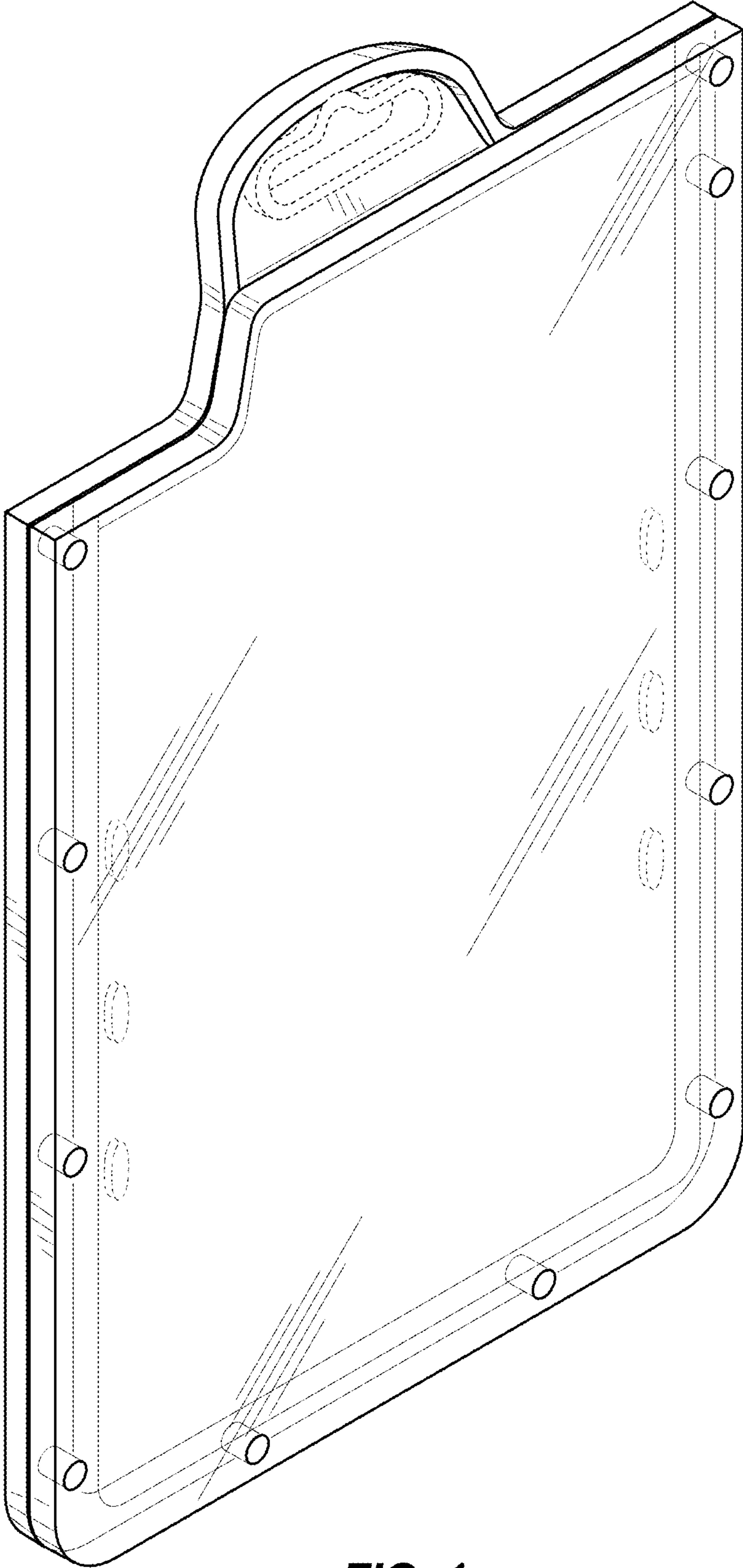


FIG. 1

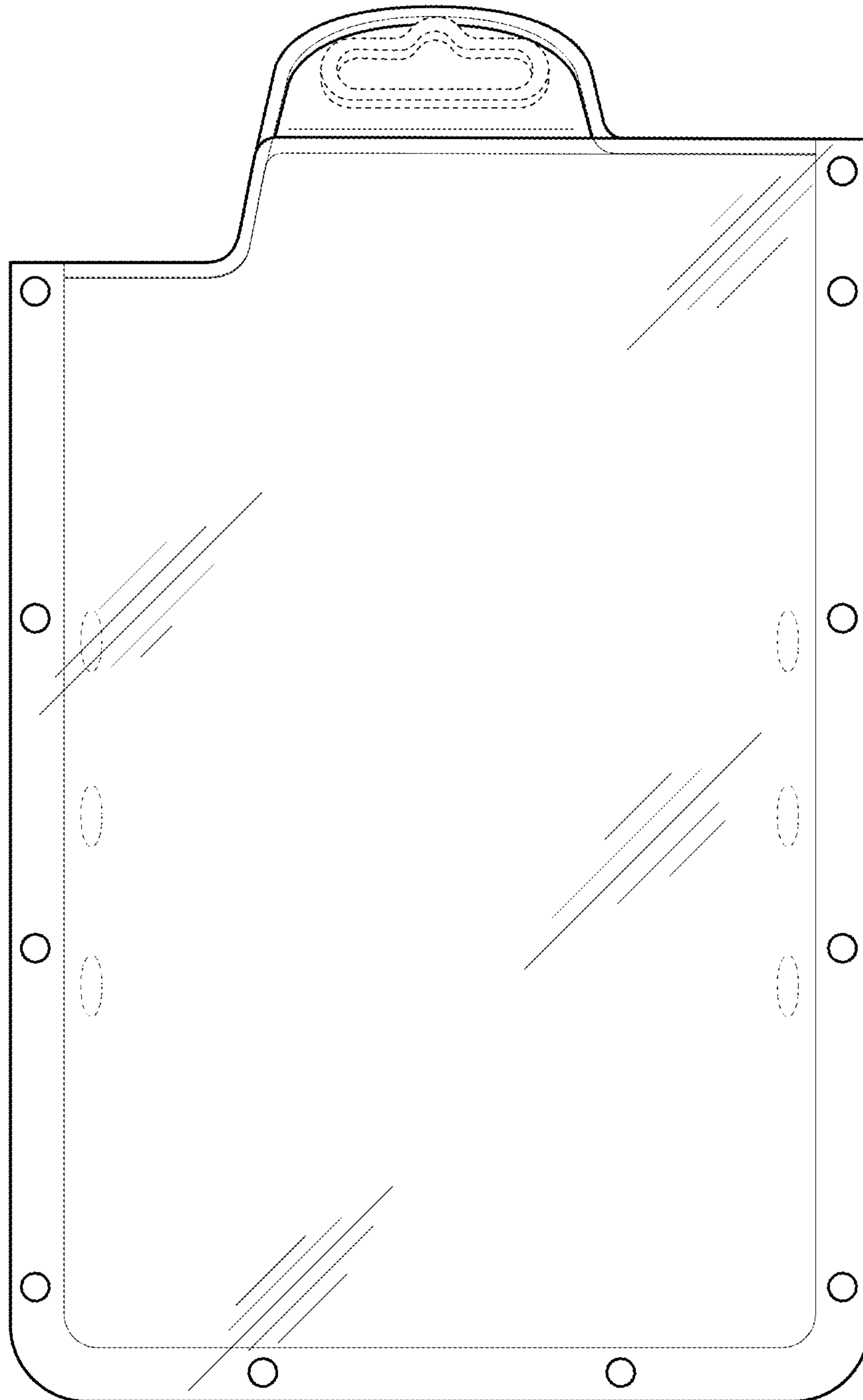


FIG. 2

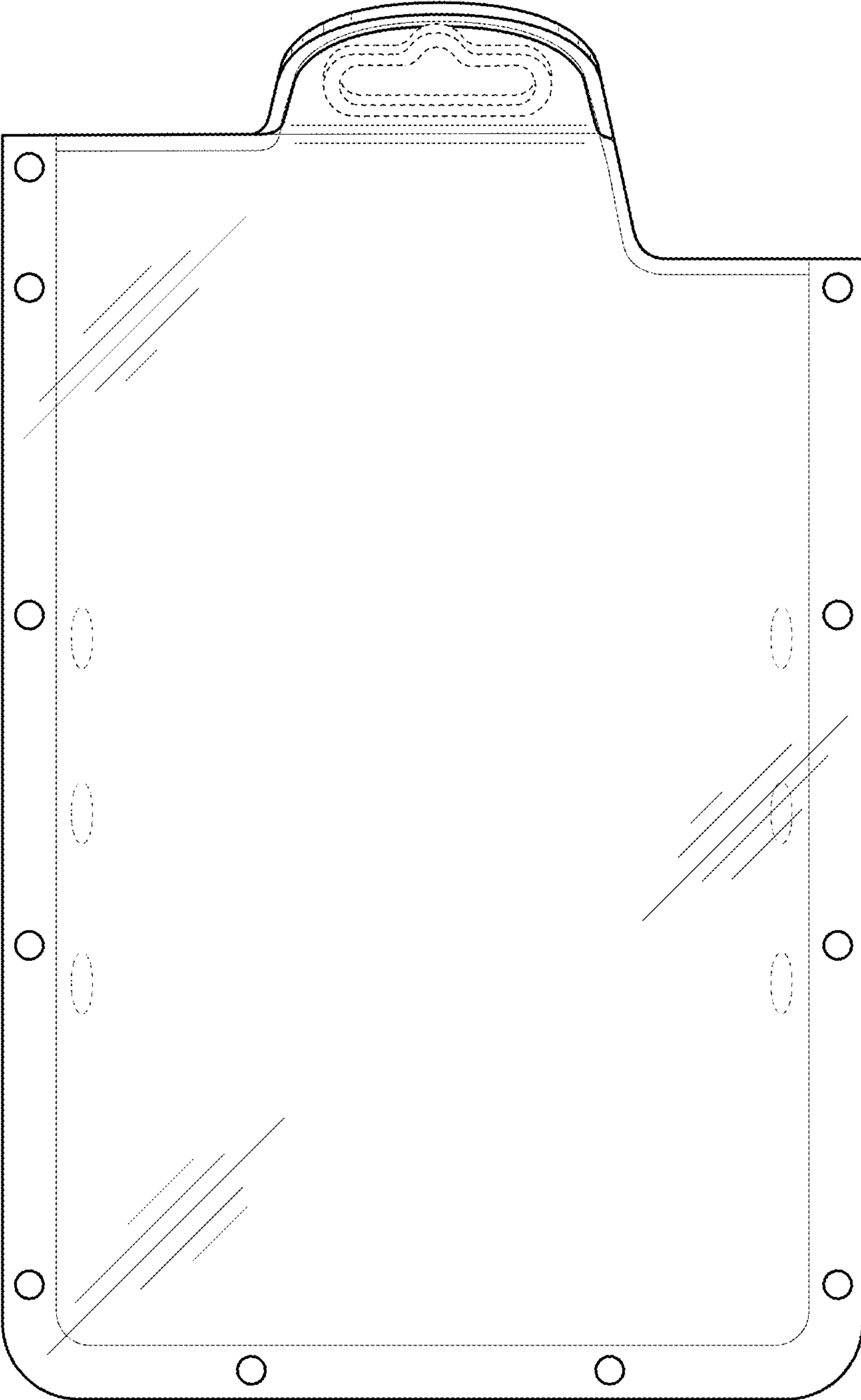


FIG. 3

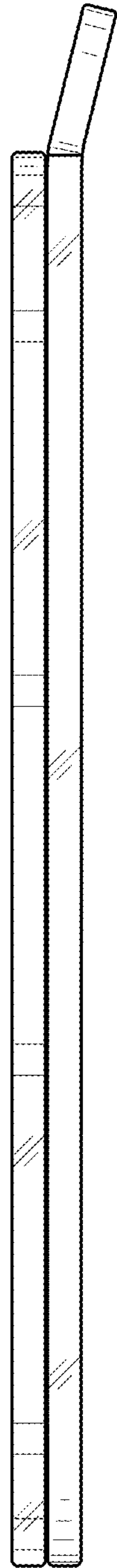


FIG. 4

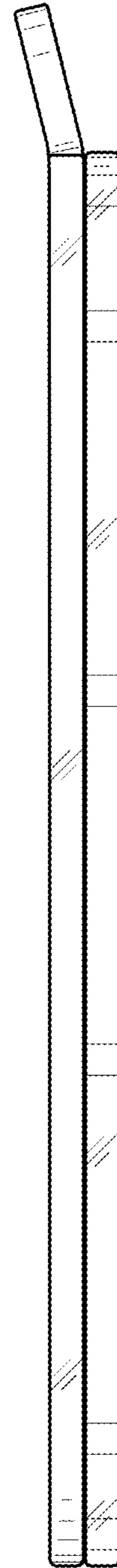


FIG. 5

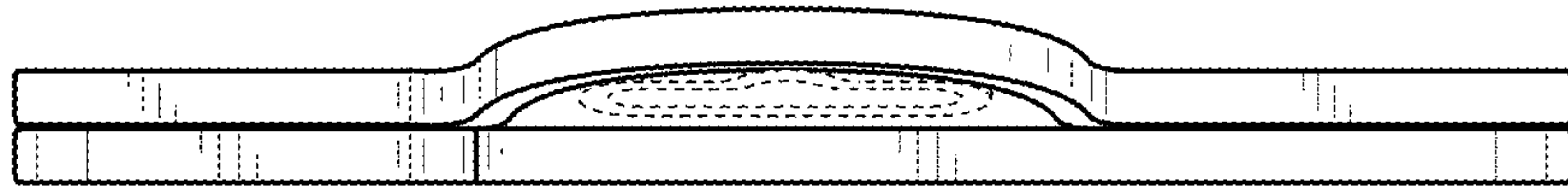


FIG. 6



FIG. 7