



US00D970885S

(12) **United States Design Patent**  
**Knightly**

(10) **Patent No.:** **US D970,885 S**

(45) **Date of Patent:** **\*\* Nov. 29, 2022**

- (54) **HANDBAG**
- (71) Applicant: **MOYNAT PARIS SAS**, Paris (FR)
- (72) Inventor: **Nicholas Knightly**, Paris (FR)
- (\*\*) Term: **15 Years**
- (21) Appl. No.: **35/514,821**
- (22) Filed: **Jul. 13, 2022**

D889,823 S *	7/2020	Amat	.....	D3/243
D893,866 S *	8/2020	Xiao	.....	D3/243
D896,508 S *	9/2020	Lee	.....	D3/245
D897,670 S *	10/2020	Hanley	.....	D3/243
D897,671 S *	10/2020	Hanley	.....	D3/243
D954,433 S *	6/2022	Knightly	.....	A45C 3/06
				D3/243
D954,434 S *	6/2022	Knightly	.....	A45C 3/06
				D3/245
D958,524 S *	7/2022	Carrouee	.....	D3/246
D958,525 S *	7/2022	Carrouee	.....	D3/246
D960,565 S *	8/2022	Vaccarello	.....	D3/243
D961,250 S *	8/2022	Carrouee	.....	D3/246
D964,026 S *	9/2022	Kong	.....	D3/246

(80) **Hague Agreement Data**

Int. Filing Date: **Jul. 13, 2022**  
 Int. Reg. No.: **DM/222248**  
 Int. Reg. Date: **Jul. 13, 2022**  
 Int. Reg. Pub. Date: **Jul. 29, 2022**

- (51) **LOC (13) Cl.** ..... **03-01**
- (52) **U.S. Cl.**  
USPC ..... **D3/232**
- (58) **Field of Classification Search**  
USPC ..... D3/232, 243, 245  
CPC ..... A45C 3/06  
See application file for complete search history.

(56) **References Cited**

**U.S. PATENT DOCUMENTS**

D785,324 S *	5/2017	Philo	.....	D3/246
D795,574 S *	8/2017	Pfister	.....	D3/245
D801,681 S *	11/2017	Smilovic	.....	D3/245
D805,768 S *	12/2017	Nicotra	.....	D3/232
D808,154 S *	1/2018	Romano	.....	D3/232
D831,958 S *	10/2018	Philo	.....	D3/246
D851,924 S *	6/2019	Dumas	.....	D3/246
D855,314 S *	8/2019	Rahardjo	.....	D3/243
D855,978 S *	8/2019	Rahardjo	.....	D3/243
D855,979 S *	8/2019	Rahardjo	.....	D3/243
D871,063 S *	12/2019	Morgan	.....	D3/245
D888,420 S *	6/2020	Gerbi	.....	D3/245

\* cited by examiner

*Primary Examiner* — Charles D Hanson

(57) **CLAIM**

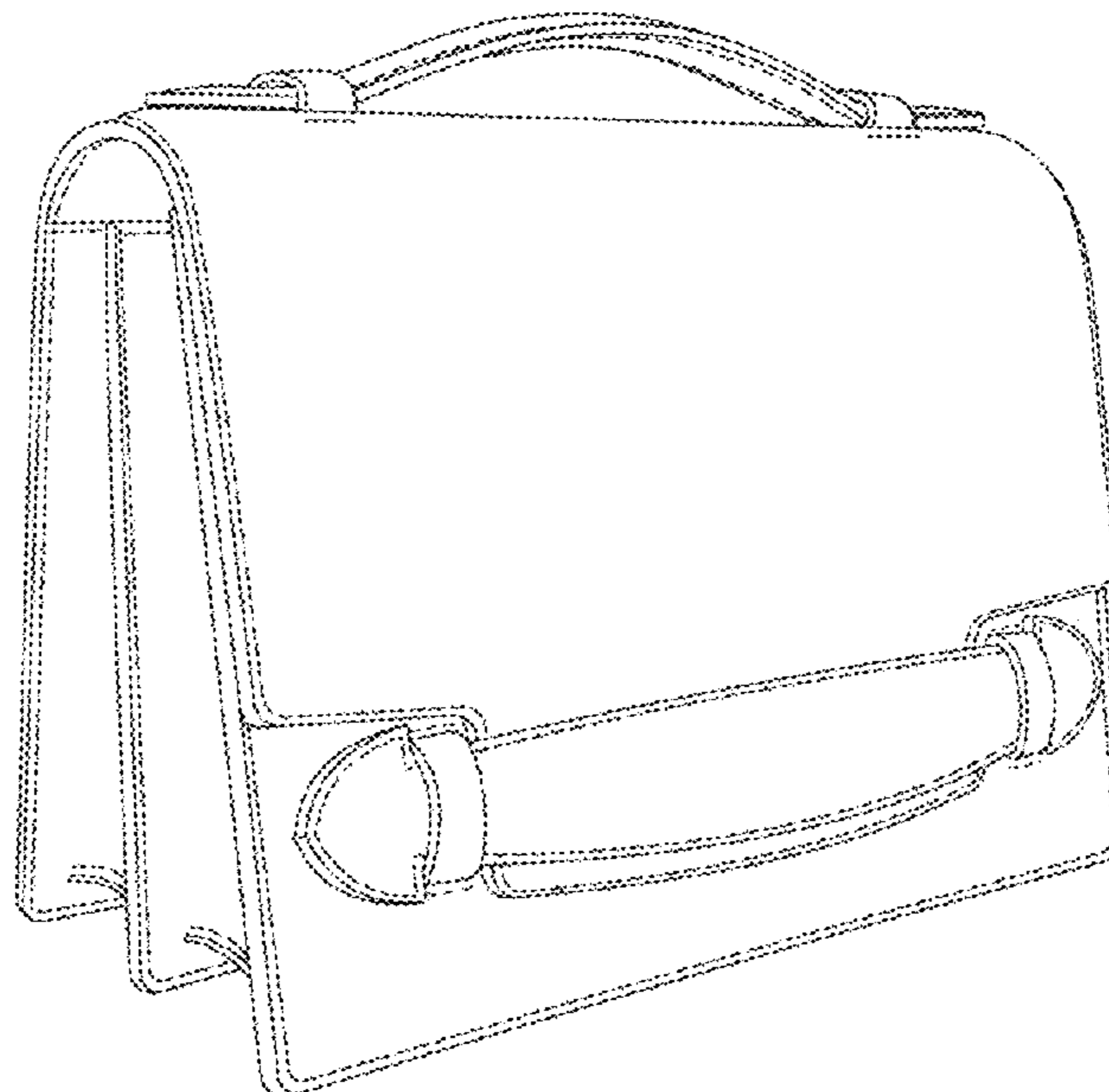
The ornamental design for a handbag, as shown and described.

**DESCRIPTION**

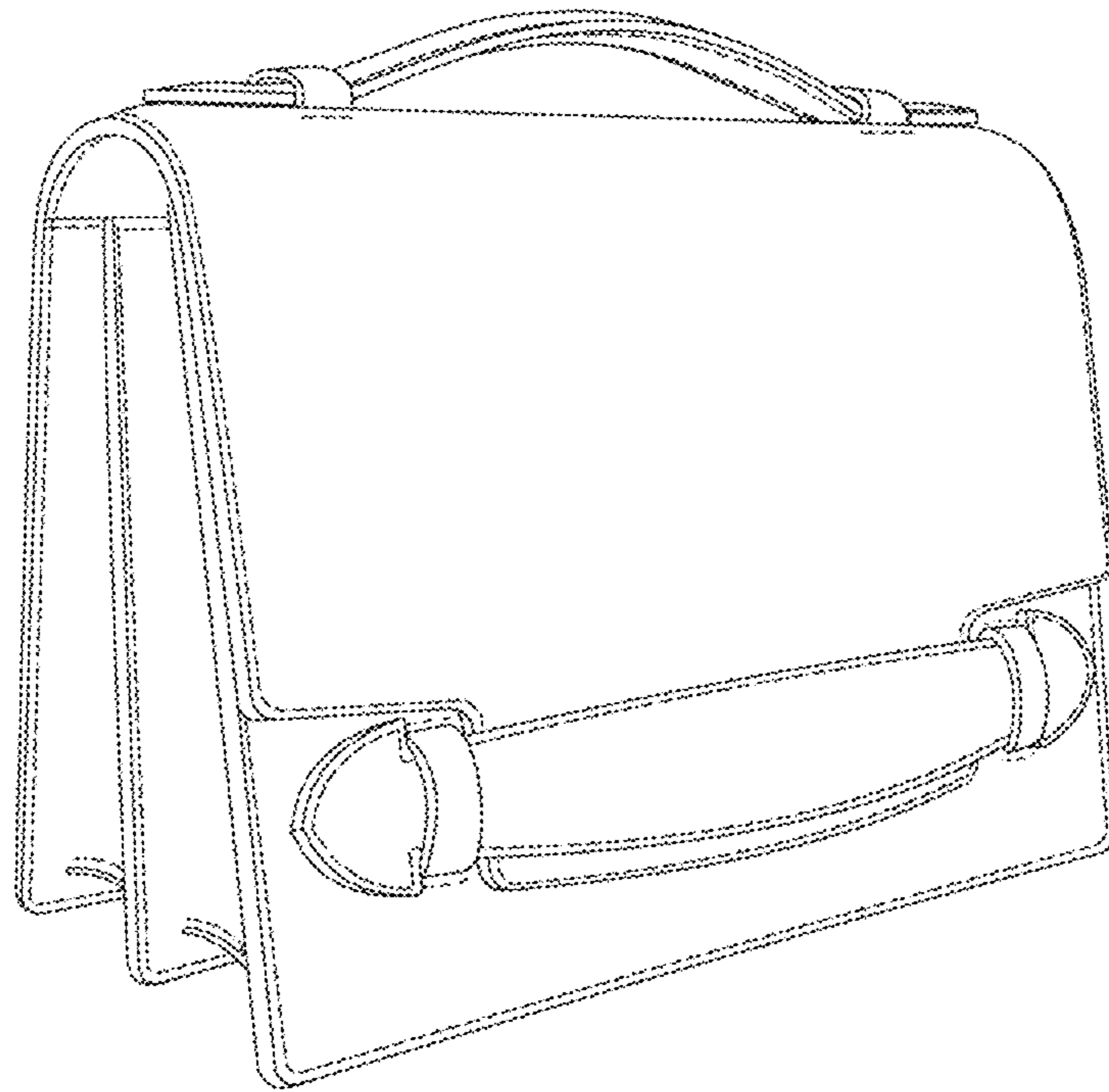
- 1. Handbag
- 1.1 : Perspective
- 1.2 : Front
- 1.3 : Back
- 1.4 : Left
- 1.5 : Right
- 1.6 : Top
- 1.7 : Bottom
- 1.8 : Reference view

The broken lines in the figures are for the purpose of illustrating claimed stitching; **1.** is a perspective view of a handbag; **2.** is a front view thereof; **3.** is a back view thereof; **4.** is a left side view thereof; **5.** is a right side view thereof; **6.** is a top view thereof; **7.** is a bottom view thereof; **8.** is a reference view thereof; The reference view shown in reproductions **1.8** forms no part of the design.

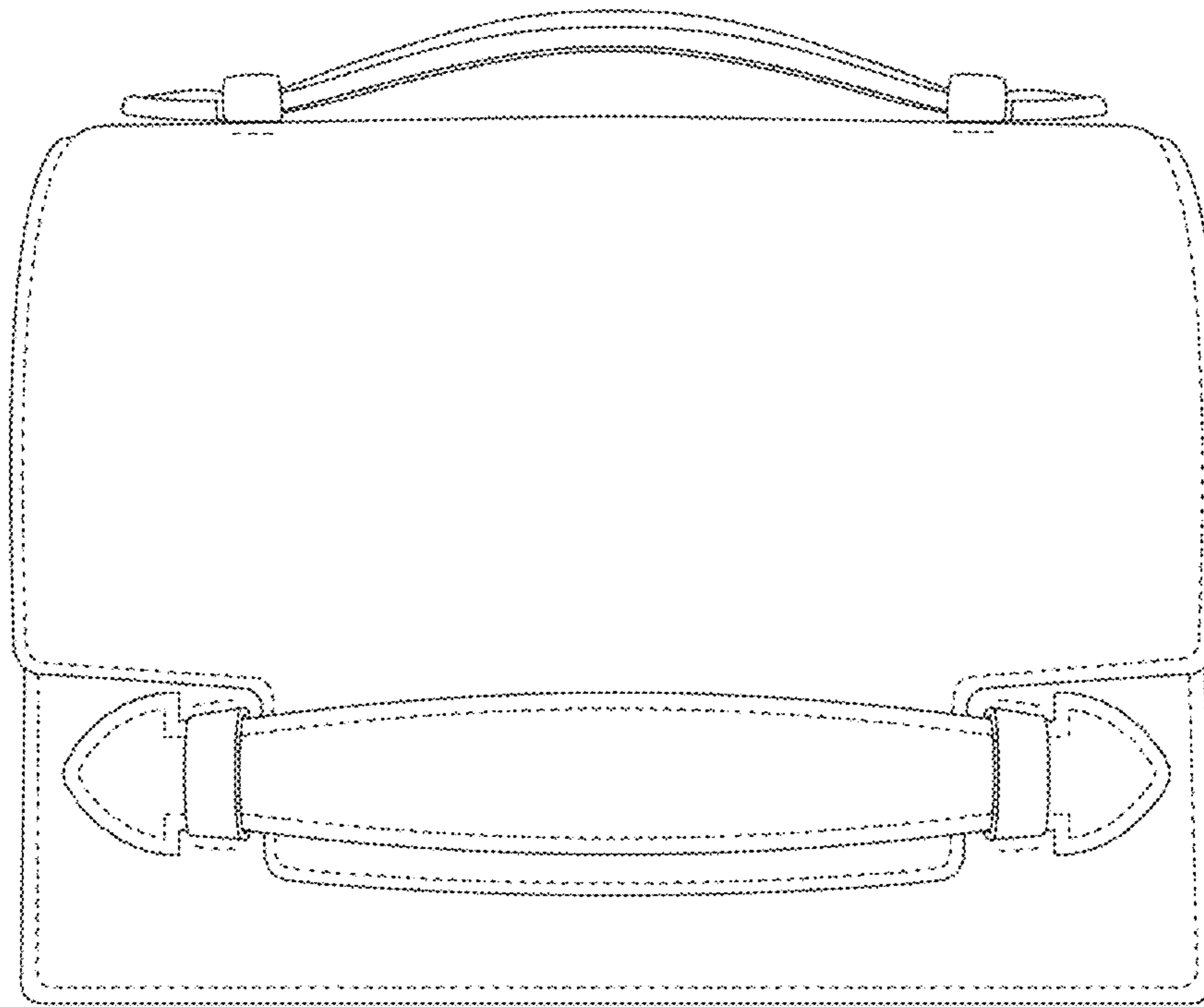
**1 Claim, 8 Drawing Sheets**



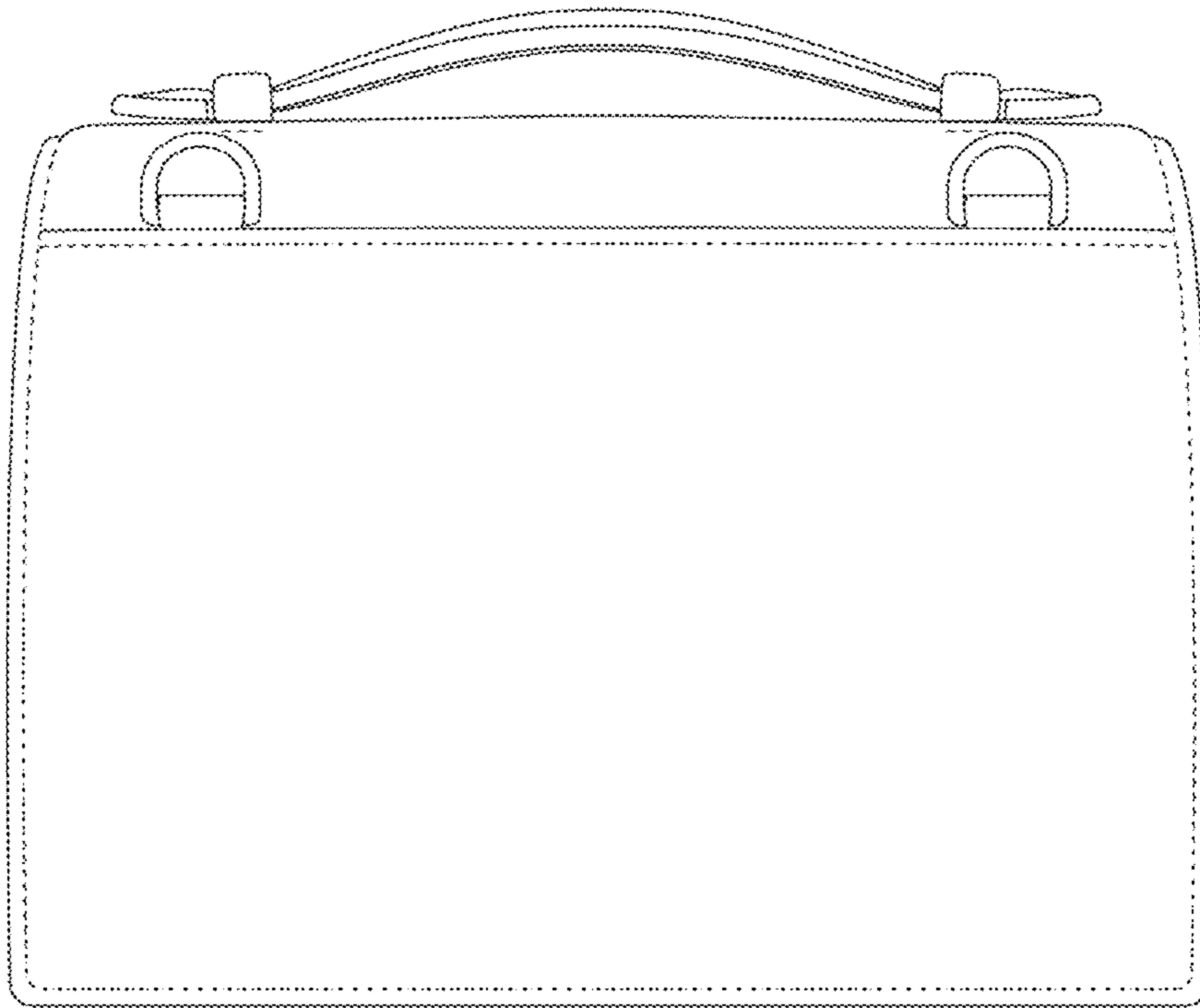
1.1



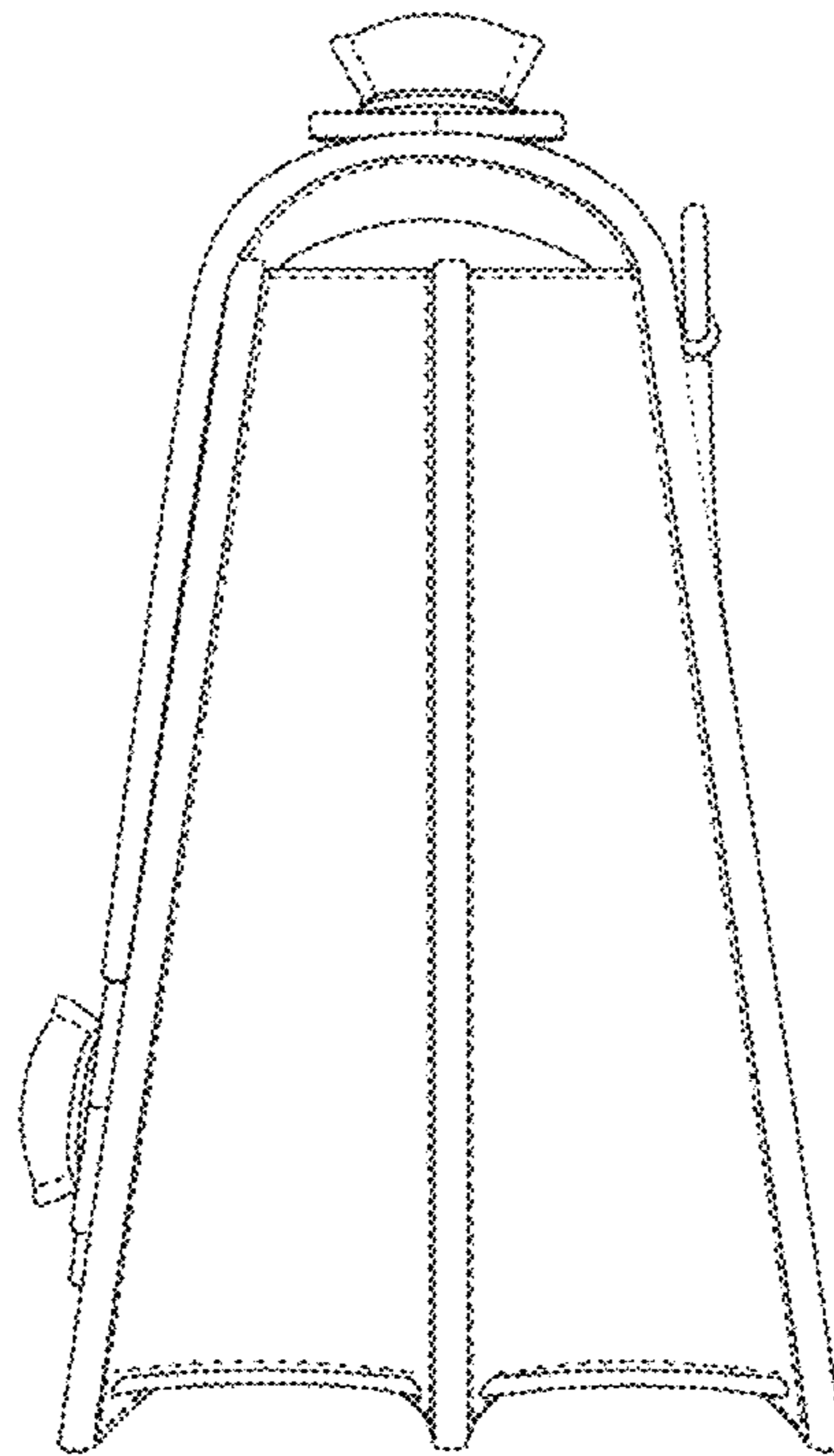
1.2



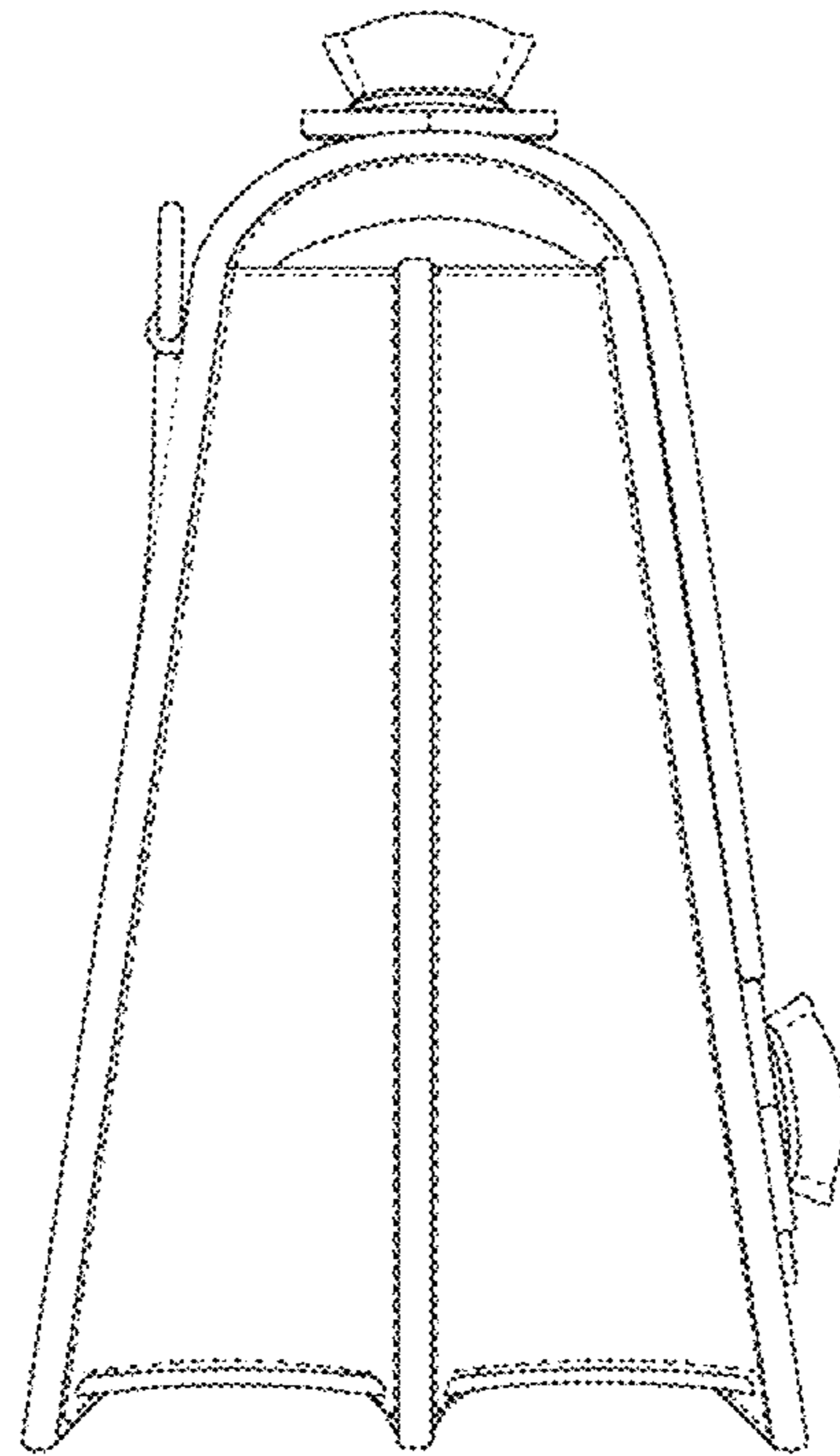
1.3



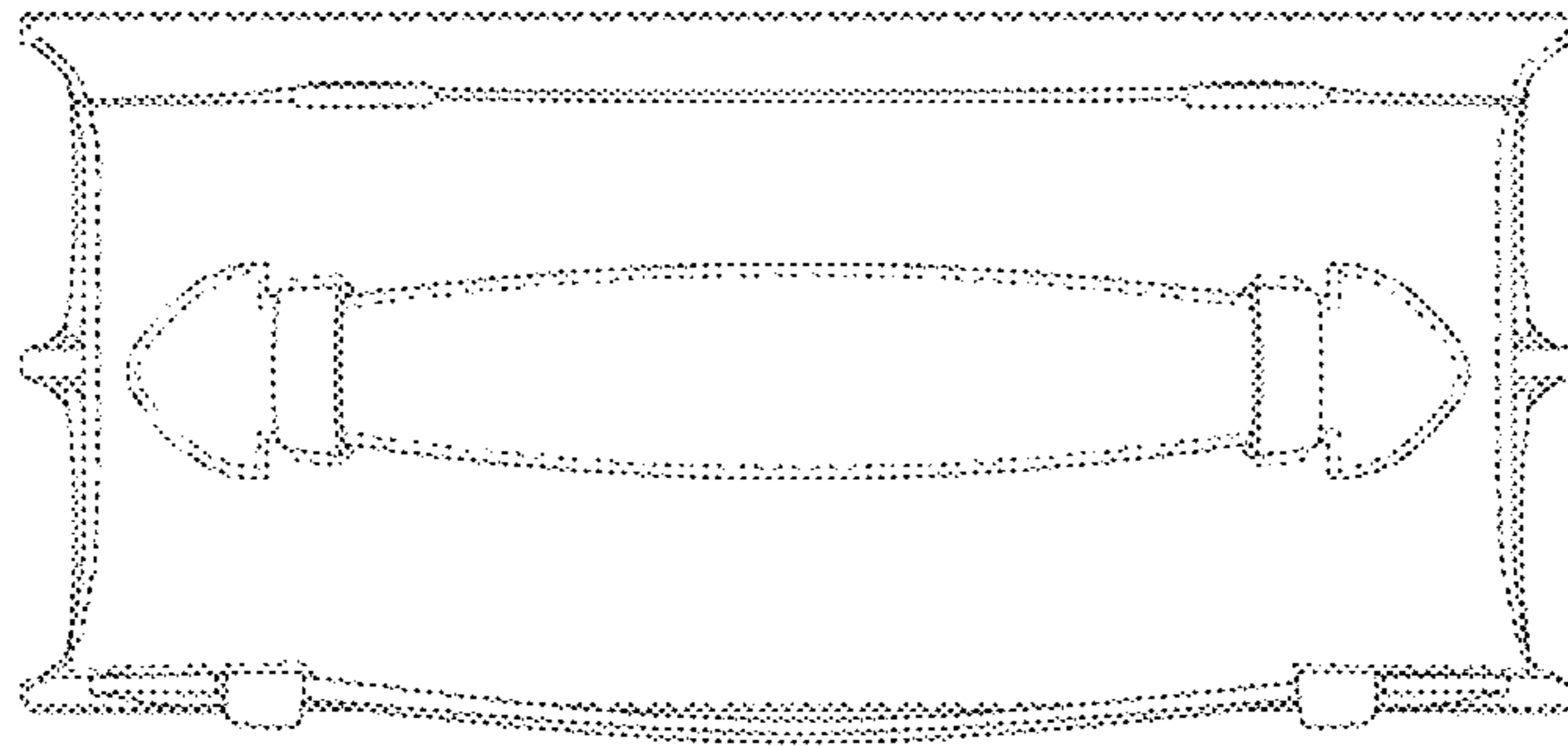
1.4



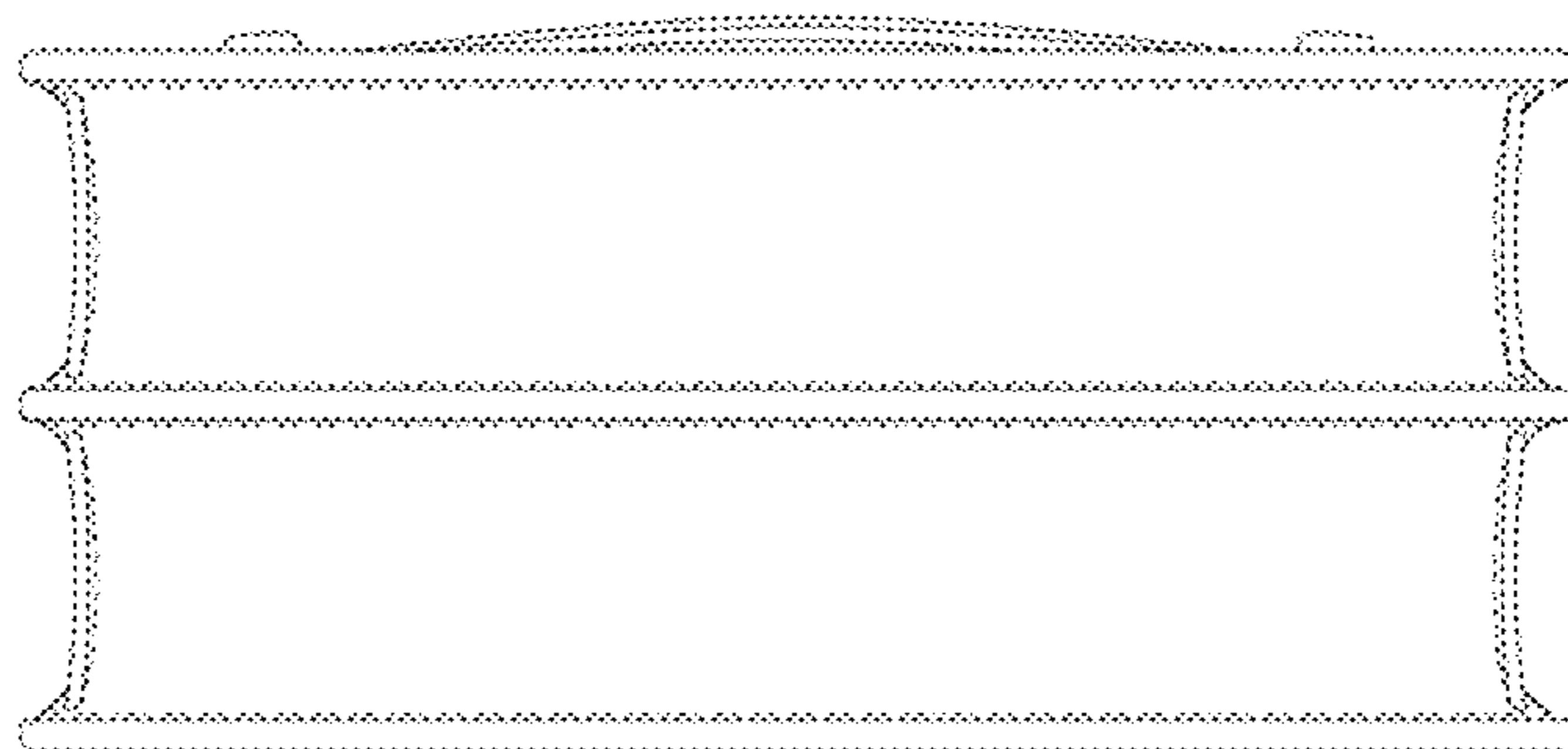
1.5



1.6



1.7





1.8

