



US00D970882S

(12) **United States Design Patent**  
**Watson**

(10) **Patent No.:** **US D970,882 S**

(45) **Date of Patent:** **\*\* Nov. 29, 2022**

(54) **PET CARRYING BACKPACK**

(71) Applicant: **K9 Sport Sack, LLC**, Lehi, UT (US)

(72) Inventor: **Joseph Watson**, Orem, UT (US)

(73) Assignee: **K9 Sport Sack, LLC**, Lehi, UT (US)

(\*\*) Term: **15 Years**

(21) Appl. No.: **29/652,561**

(22) Filed: **Sep. 18, 2020**

(51) **LOC (13) Cl.** ..... **03-01**

(52) **U.S. Cl.**  
USPC ..... **D3/216**

(58) **Field of Classification Search**

USPC ..... D3/213–217, 221, 224–226, 231, 232,  
D3/233, 242–244, 254, 255

CPC .... A45F 3/00; A45F 3/005; A45F 3/02; A45F  
3/04; A45F 3/042; A45F 3/047; A45F  
3/06; A45F 3/08; A45F 3/10; A45F  
2003/001; A45F 2003/002; A45F  
2003/003; A45F 2003/006; A45F  
2003/007; A45F 2003/008; A45F  
2003/025; A45F 2003/045; A45F  
2200/00; A45F 2200/05; A45F  
2200/0525; A45F 2200/0533

See application file for complete search history.

(56) **References Cited**

**U.S. PATENT DOCUMENTS**

D111,138 S \* 9/1938 Firle ..... D3/255  
3,019,952 A \* 2/1962 Brewster ..... A45F 3/04  
294/142  
D331,660 S \* 12/1992 Souhrada ..... D3/255  
D553,350 S \* 10/2007 Dvorak ..... D3/217

(Continued)

**FOREIGN PATENT DOCUMENTS**

CN 304021795 \* 2/2017  
CN 305122160 \* 4/2019

(Continued)

**OTHER PUBLICATIONS**

K9 Sport Sack Air 2, available at k9sportsack.com, earliest customer review date Feb. 24, 2020 [online], site visited Dec. 9, 2021, Available from the internet URL: <https://www.k9sportsack.com/products/air-2> (Year: 2020).\*

(Continued)

*Primary Examiner* — Messina L Smith

*Assistant Examiner* — Jillian Mazzola

(57) **CLAIM**

The ornamental design for a pet carrying backpack, as shown and described.

**DESCRIPTION**

FIG. 1 is a perspective view of a pet carrying backpack showing the new design.

FIG. 2 is a rear view of the pet carrying backpack of FIG. 1.

FIG. 3 is a left-side view of the pet carrying backpack of FIG. 1.

FIG. 4 is a right-side view of the pet carrying backpack of FIG. 1.

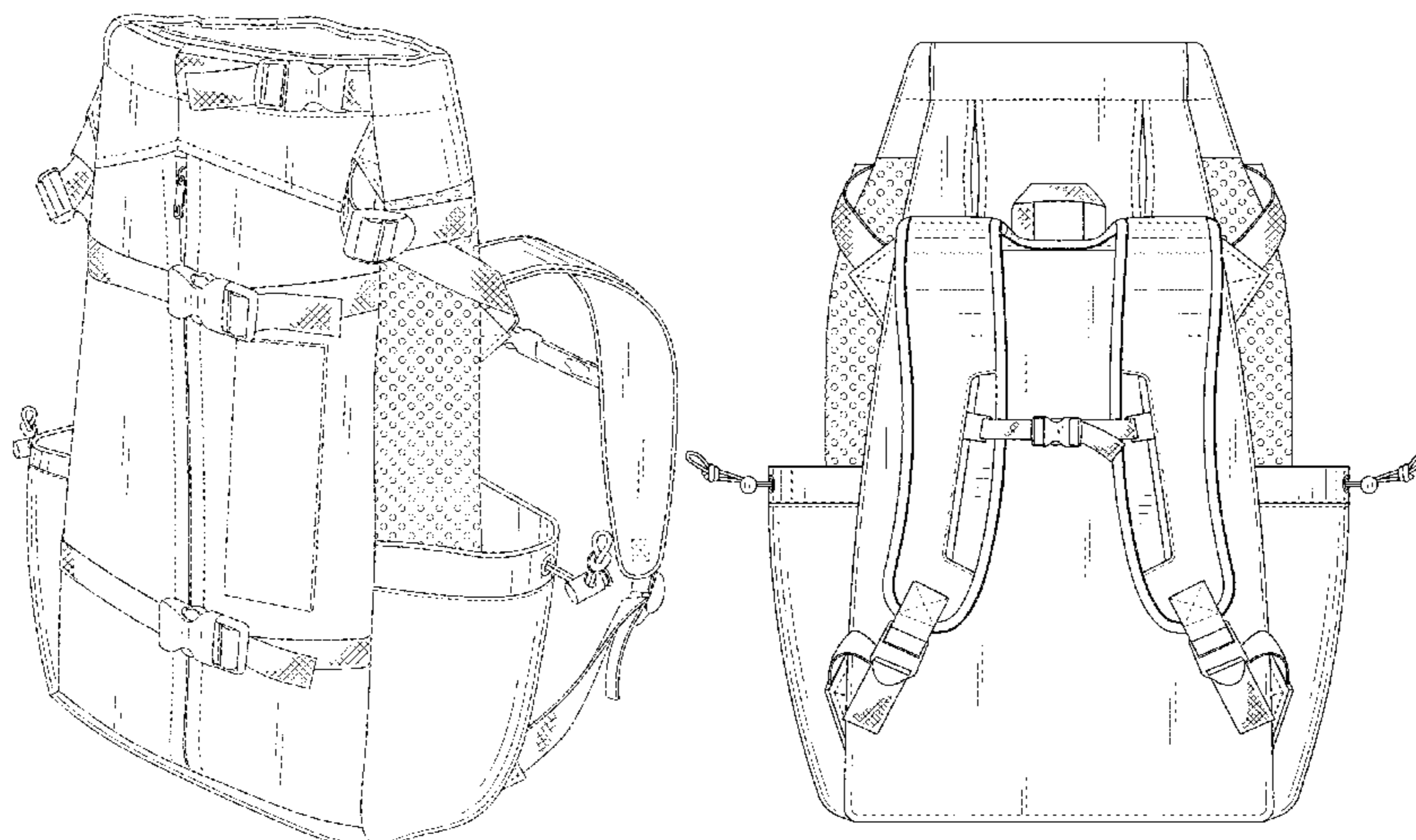
FIG. 5 is a front view of the pet carrying backpack of FIG. 1.

FIG. 6 is a top view of the pet carrying backpack of FIG. 1; and,

FIG. 7 is a bottom view of the pet carrying backpack of FIG. 1.

The broken line rectangle shown in FIGS. 1-3 and 6 indicate portions of the pet carrying backpack that form no part of the claimed design. The broken lines running adjacent to other parts shown in the design indicate stitching that forms part of the claimed design. The dot-dash broken lines shown on the interior of the bag in FIGS. 1 and 6 depict portions of the pet carrying backpack that form no part of the claimed design.

**1 Claim, 6 Drawing Sheets**



(56)

References Cited

U.S. PATENT DOCUMENTS

10,799,003 B2 \* 10/2020 Bradley ..... A45C 7/0077  
 D908,975 S \* 1/2021 Watson ..... D30/109  
 D909,049 S \* 2/2021 Watson ..... D3/216  
 D910,243 S \* 2/2021 Watson ..... D30/109  
 D915,762 S \* 4/2021 Li ..... D3/217  
 D924,559 S \* 7/2021 Li ..... D3/217  
 2003/0205601 A1 \* 11/2003 Kilduff ..... A45C 13/00  
 224/627  
 2013/0221051 A1 \* 8/2013 Hairston ..... B32B 37/14  
 224/633  
 2018/0154203 A1 \* 6/2018 Schromm ..... A45F 3/04

FOREIGN PATENT DOCUMENTS

CN 306365217 \* 3/2021  
 EM 000042999-0004 \* 10/2003  
 EM 006395372-0002 \* 6/2019  
 RU 00084313 \* 2/2013  
 SG 20141329F-0001 \* 11/2014

OTHER PUBLICATIONS

K9 Sport Sack Post, available at facebook.com, posted Sep. 3, 2019 [online], site visited Dec. 9, 2021, Available from the internet URL: <https://www.facebook.com/k9sportsackusa/photos/a.1908221172781963/2427074830896592/?type=3> (Year: 2019).\*

K9 Sport Sack Evolution, available at youtube.com, posted May 22, 2020 [online], site visited Dec. 9, 2021, Available from the internet URL: <https://www.youtube.com/watch?v=zGWK7ORMVQM> (Year: 2020).\*

Ytonet Pet Carrier Bbackpack, available at amazon.com, earliest date available Nov. 30, 2018 [online], site visited Dec. 9, 2021, Available from the internet URL: <https://www.amazon.com/dp/B07FY4561Q?th=1> (Year: 2018).\*

Backpack, walmart.com, date not available [online], site visited Dec. 9, 2021, Available from the internet URL: <https://www.walmart.com/ip/Anself-Pet-Backpack-Dog-Cat-Carrier-Double-Zip-Clear-Window-Side-Pockets-Travel-Shoulder-Bag-Open-Doors-Comfortable-Travelling-Hiking-Outdoor-Use/397323749>.\*

\* cited by examiner

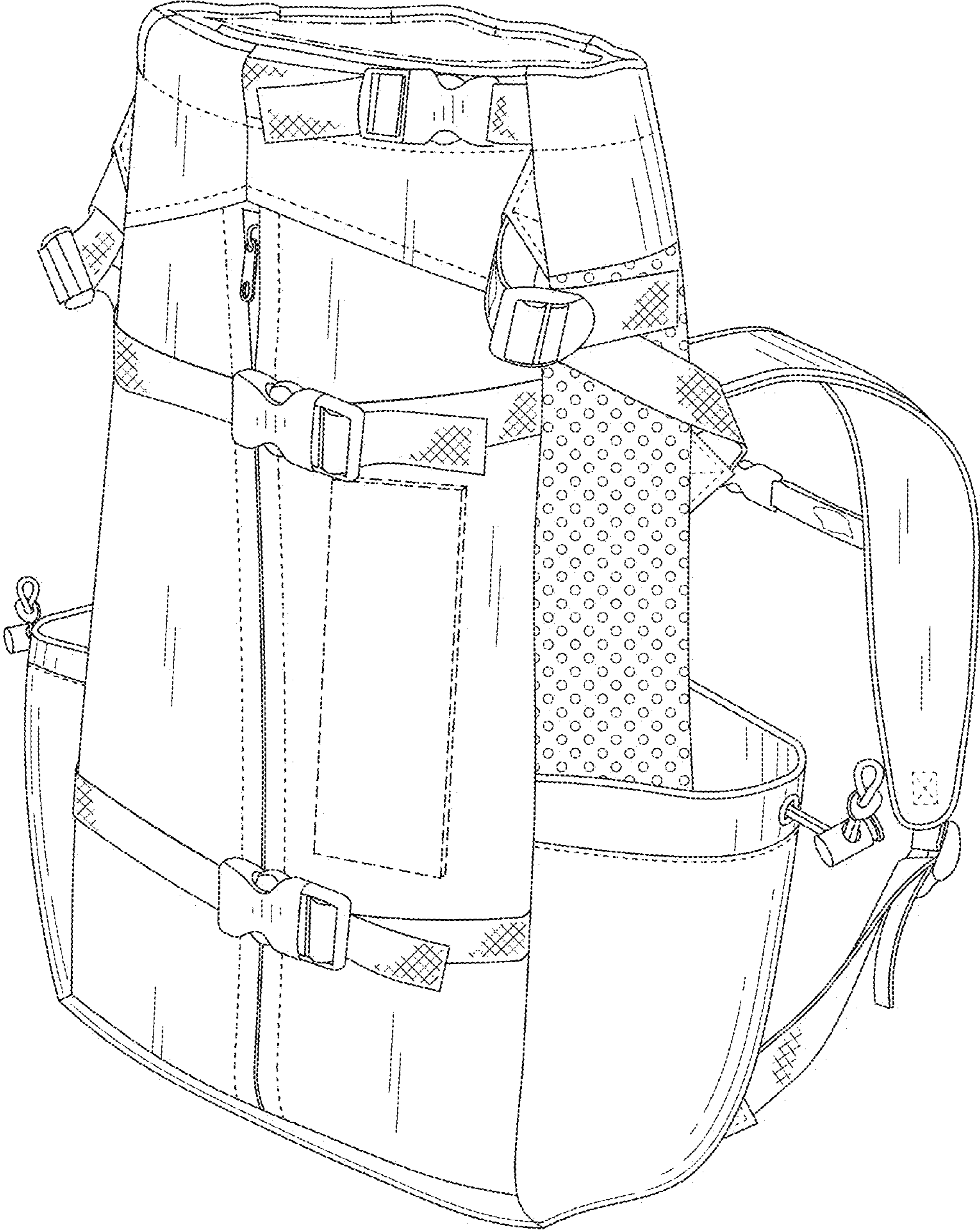


FIG. 1

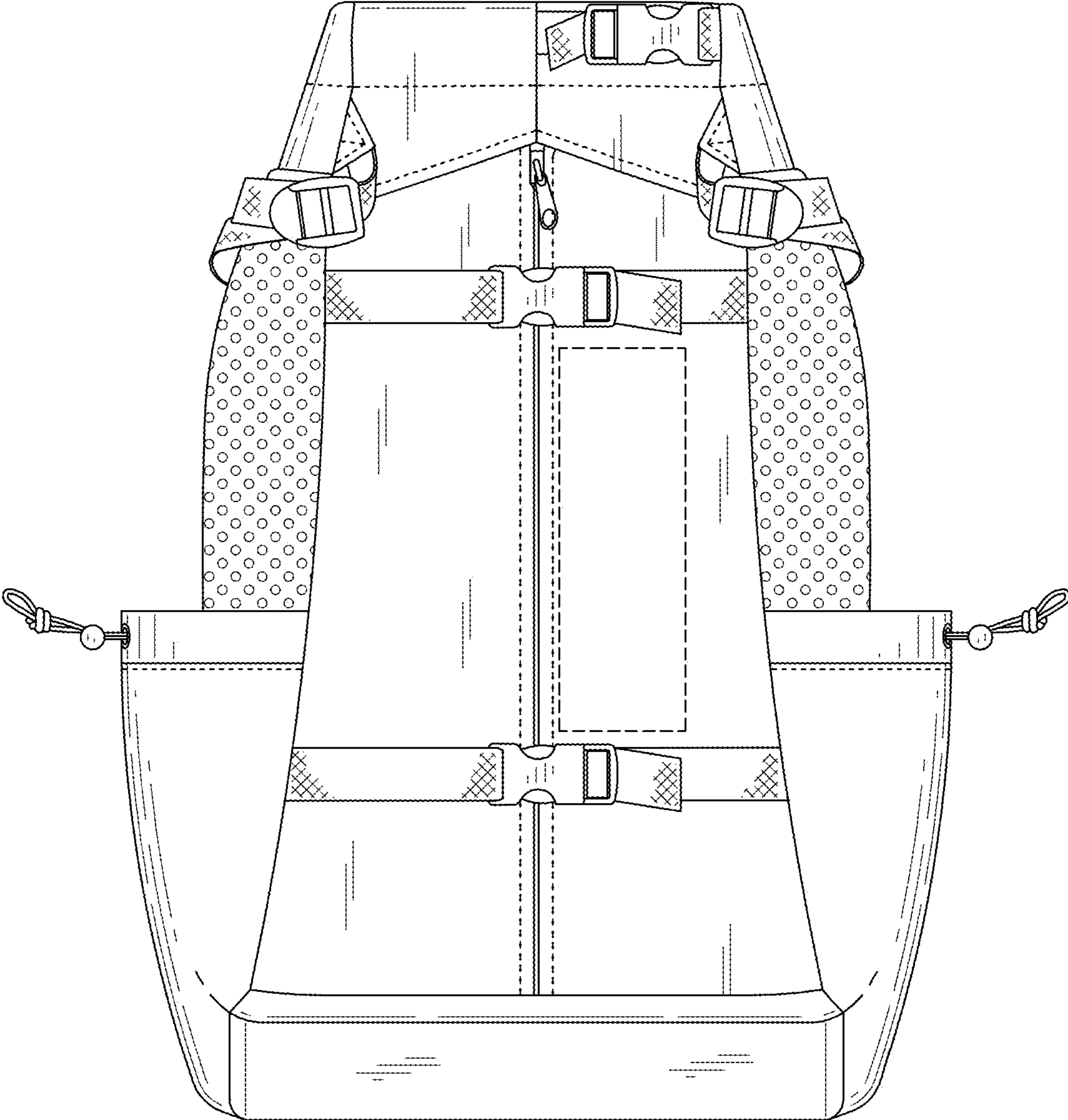


FIG. 2

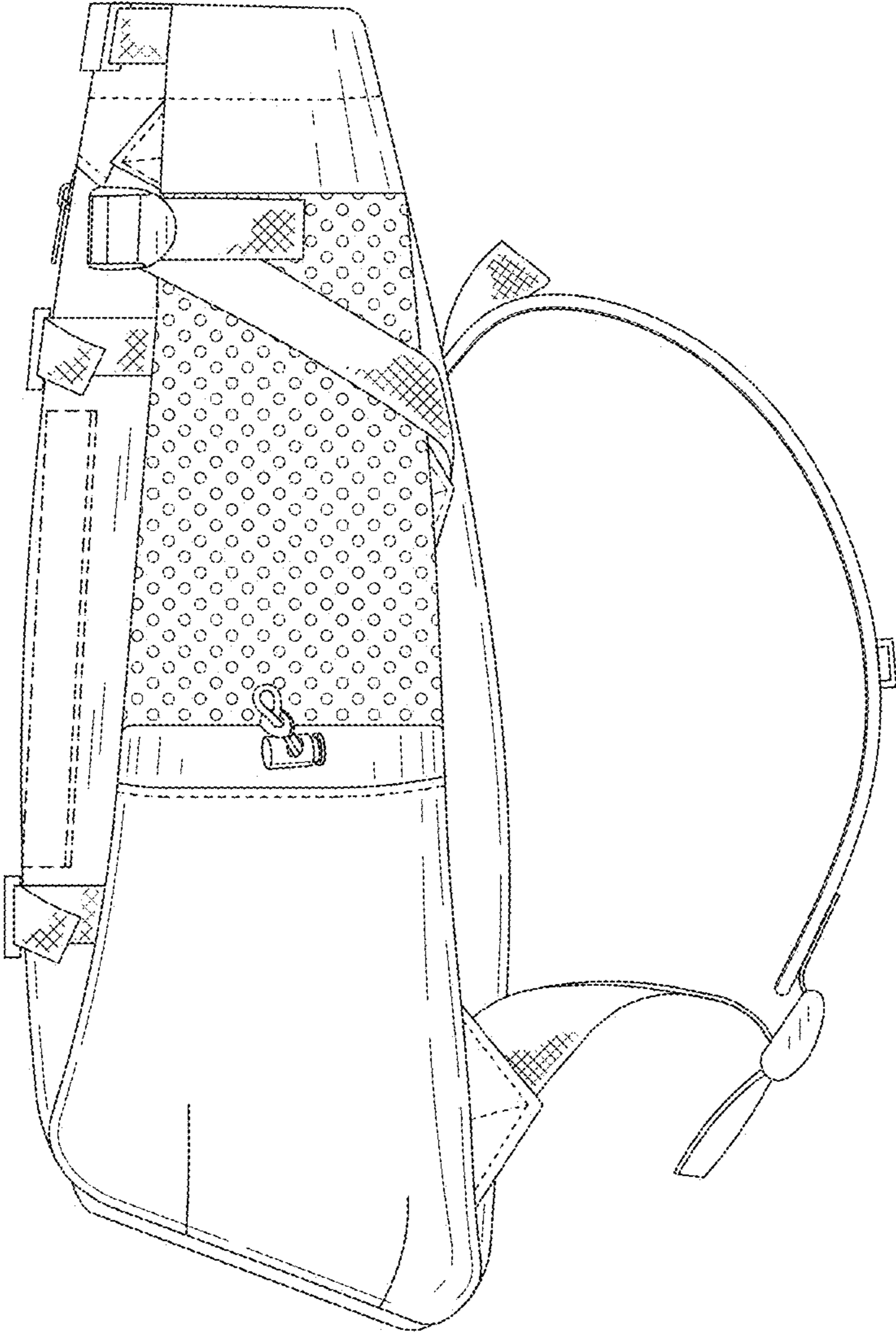


FIG. 3

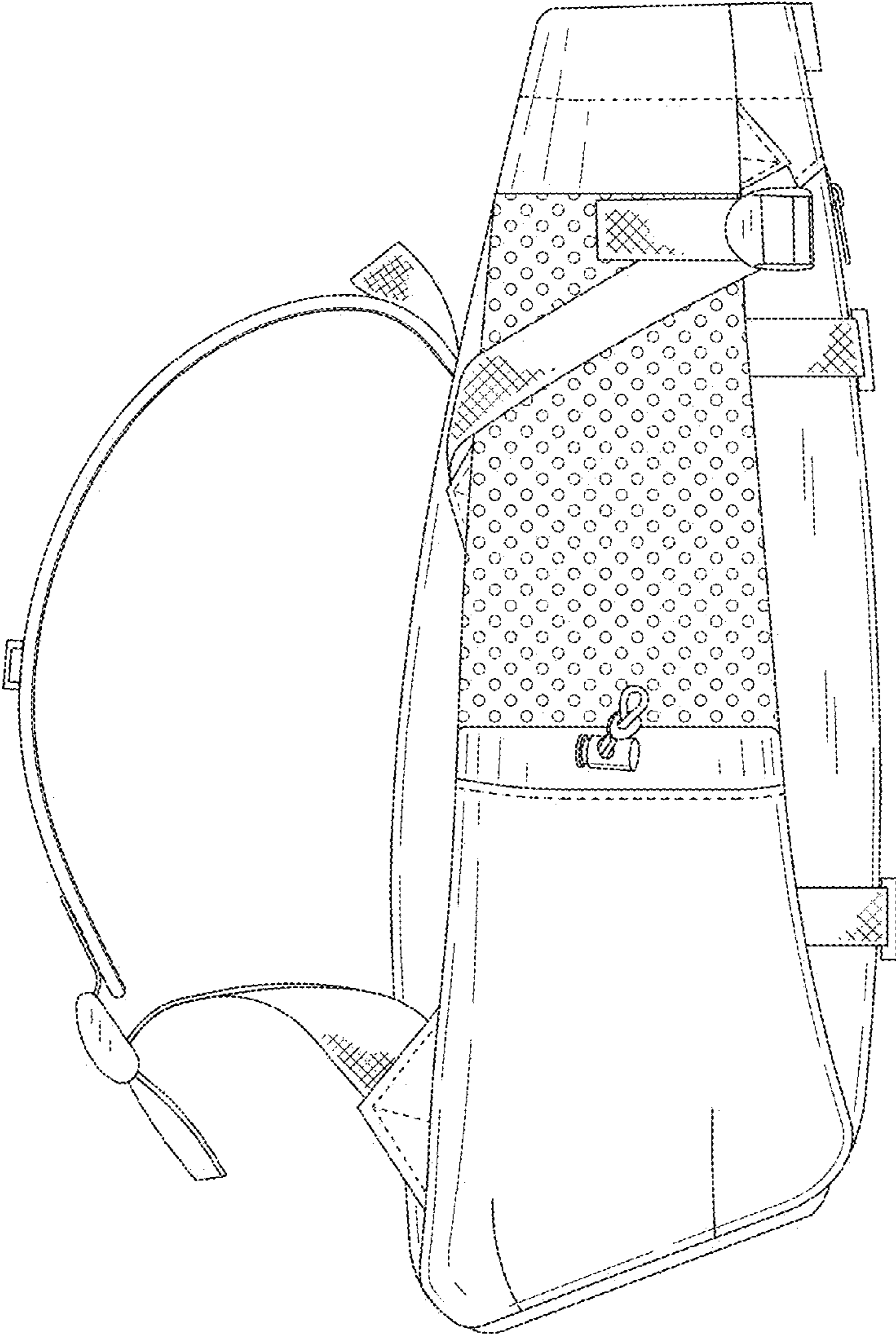


FIG. 4

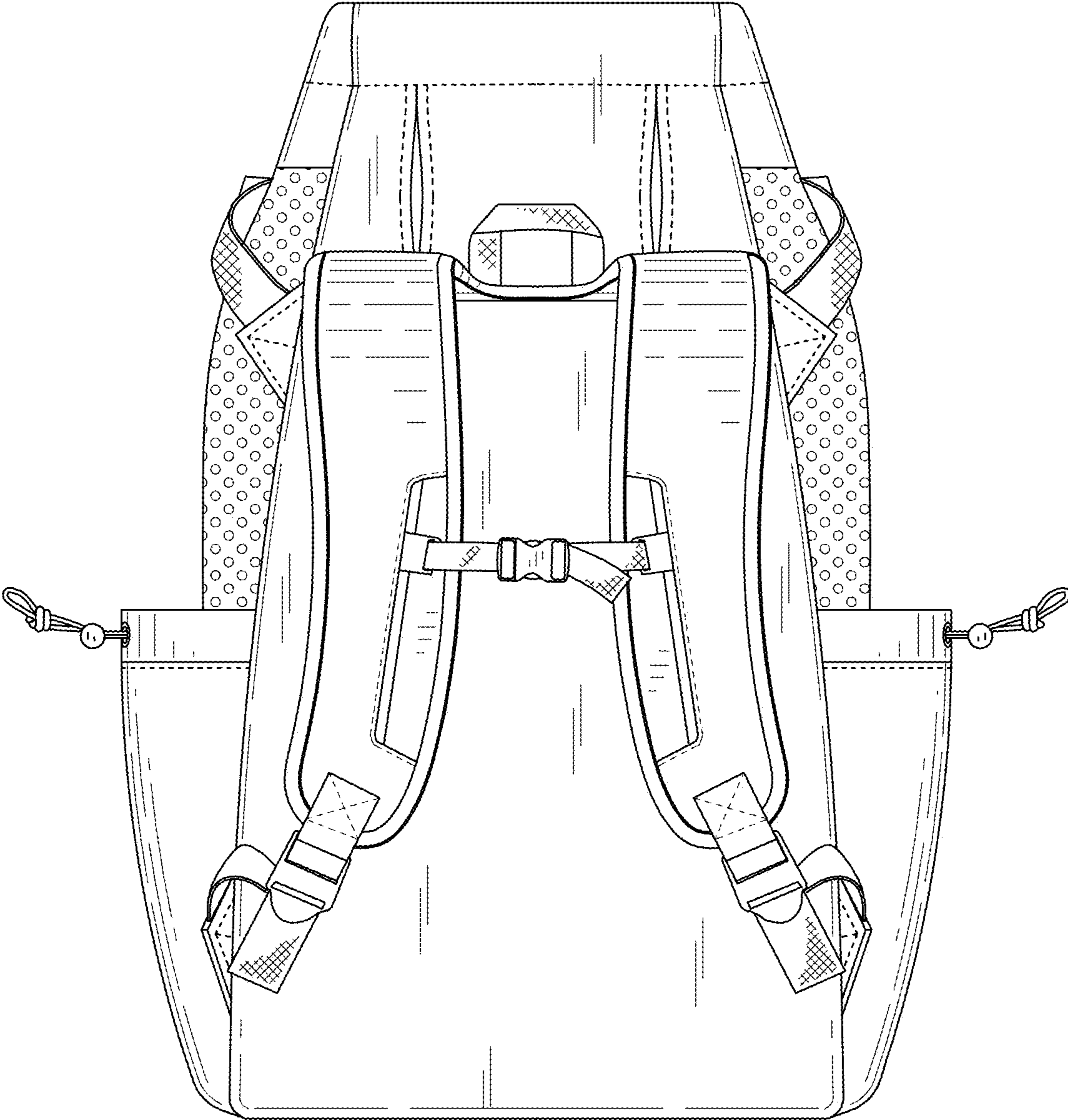


FIG. 5

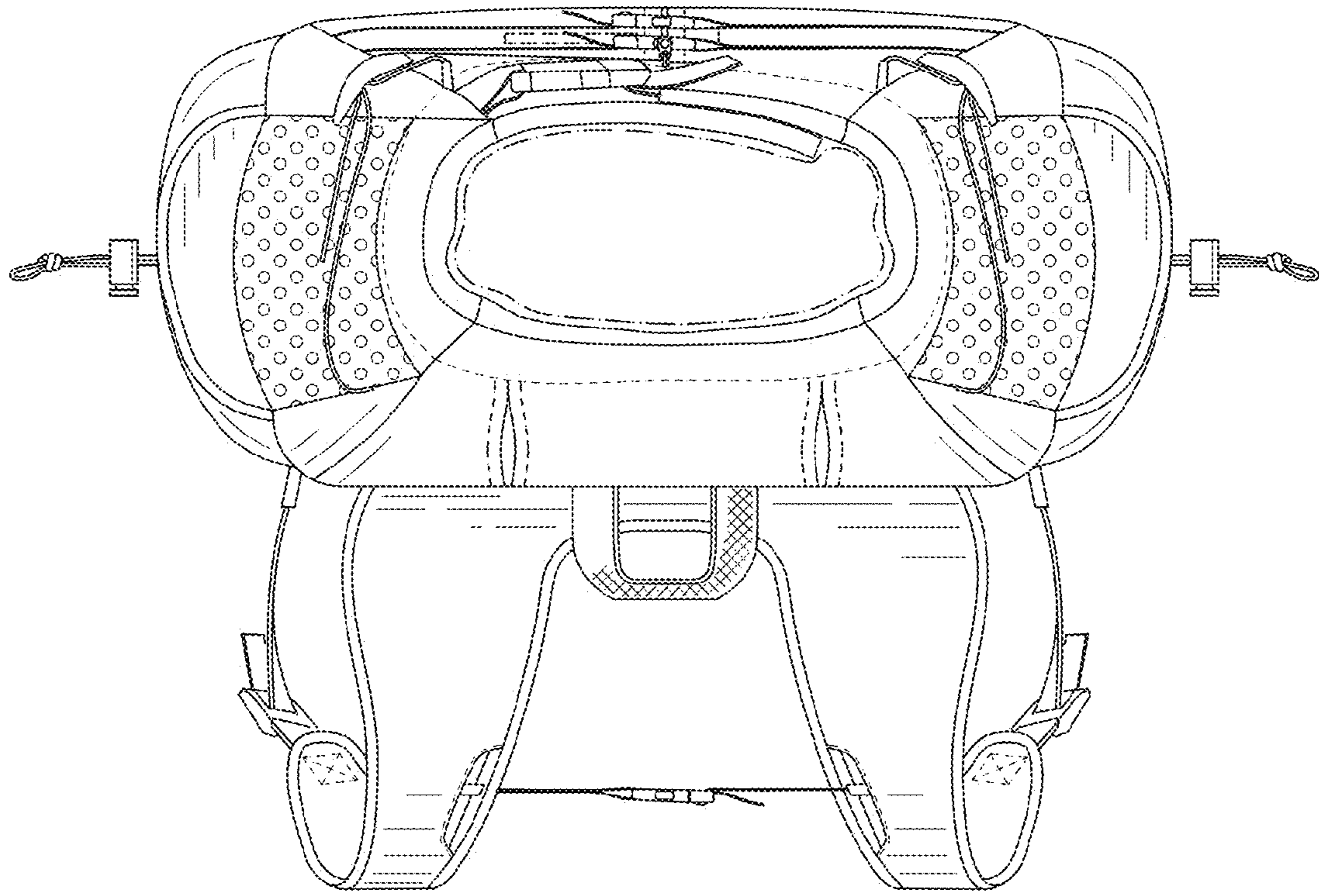


FIG. 6

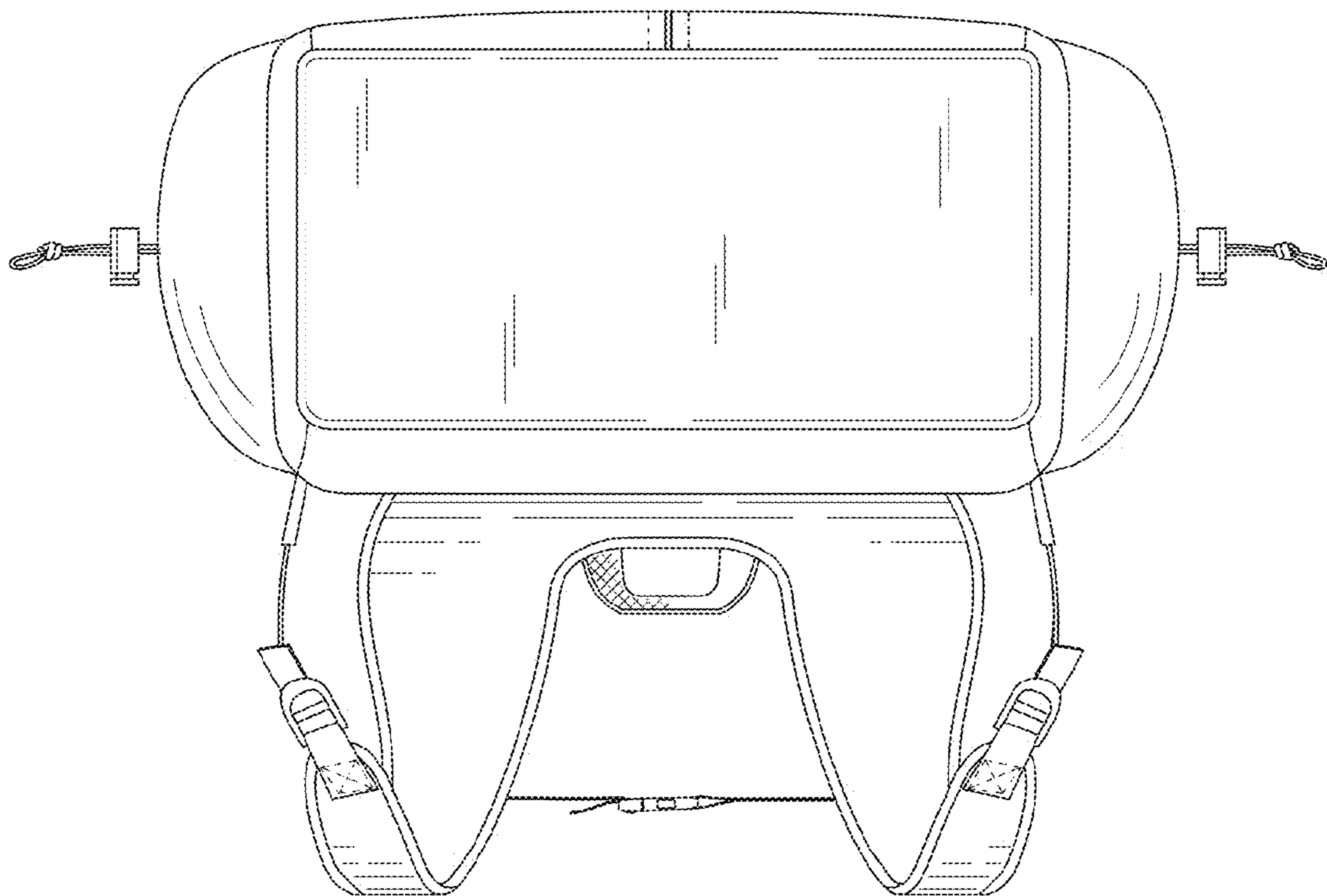


FIG. 7