



US00D970879S

(12) **United States Design Patent** (10) **Patent No.:** **US D970,879 S**
Cerami, III et al. (45) **Date of Patent:** **** Nov. 29, 2022**

(54) **MEDICATION OR PILL ORGANIZER**

(71) Applicant: **Group Medical Supply LLC**,
Plymouth, MN (US)

(72) Inventors: **Joseph A Cerami, III**, Belle Plaine,
MN (US); **Joseph A Cerami, II**,
Plymouth, MN (US)

(**) Term: **15 Years**

(21) Appl. No.: **29/799,452**

(22) Filed: **Jul. 14, 2021**

Related U.S. Application Data

(62) Division of application No. 29/714,857, filed on Nov.
26, 2019, now Pat. No. Des. 927,847.

(51) **LOC (13) Cl.** **03-01**

(52) **U.S. Cl.**
USPC **D3/203.1**

(58) **Field of Classification Search**
USPC D3/201, 203.1, 203.2, 203.3, 203.4, 273,
D3/294, 295; D9/420, 421, 756, 757,
D9/759

(Continued)

(56) **References Cited**

U.S. PATENT DOCUMENTS

4,735,318 A * 4/1988 Keffeler A61J 1/03
206/532

4,741,441 A * 5/1988 Keffeler A61J 1/03
206/532

(Continued)

OTHER PUBLICATIONS

MEDca Monthly Pill Organizer, amazon.com, https://www.amazon.com/Monthly-Pill-Organizer-Removable-Medication/dp/B07TW8KX3G/ref=psdc_3760941_t2_B085PX2K94 (Year: 2019).*

(Continued)

Primary Examiner — Steven J Czyz

(74) *Attorney, Agent, or Firm* — Deirdre M. Kvale; DMK
Intellectual Property Law

(57) **CLAIM**

What is claimed the ornamental design for a medicine or pill
organizer, as shown and described.

DESCRIPTION

FIG. 1 is a perspective view of a medication or pill orga-
nizer;

FIG. 2 is a front elevation view thereof;

FIG. 3 is a rear elevation view thereof;

FIG. 4 is a side elevation view thereof;

FIG. 5 is a top view thereof;

FIG. 6 is a bottom view thereof;

FIG. 7 is a perspective view of one of the pill pods of the
medication or pill organizer, shown separately for ease of
disclosure;

FIG. 8 is a front elevation view thereof;

FIG. 9 is a rear elevation view thereof;

FIG. 10 is a side elevation view thereof;

FIG. 11 is a top view thereof;

FIG. 12 is a bottom view thereof;

FIG. 13 is a perspective view of one of the pill pods of the
medication or pill organizer, shown separately and in an
open state;

FIG. 14 is a front elevation view thereof;

FIG. 15 is a rear elevation view thereof;

FIG. 16 is a side elevation view thereof;

FIG. 17 is a top view thereof;

FIG. 18 is a bottom view thereof;

FIG. 19 is a perspective view of a second embodiment of the
medication or pill organizer;

FIG. 20 is a front elevation view thereof;

FIG. 21 is a rear elevation view thereof;

FIG. 22 is a side elevation view thereof;

FIG. 23 is a perspective view of one of the pill pods of the
second embodiment of the medication or pill organizer,
shown separately for ease of disclosure;

FIG. 24 is a front elevation view thereof;

FIG. 25 is a rear elevation view thereof;

(Continued)

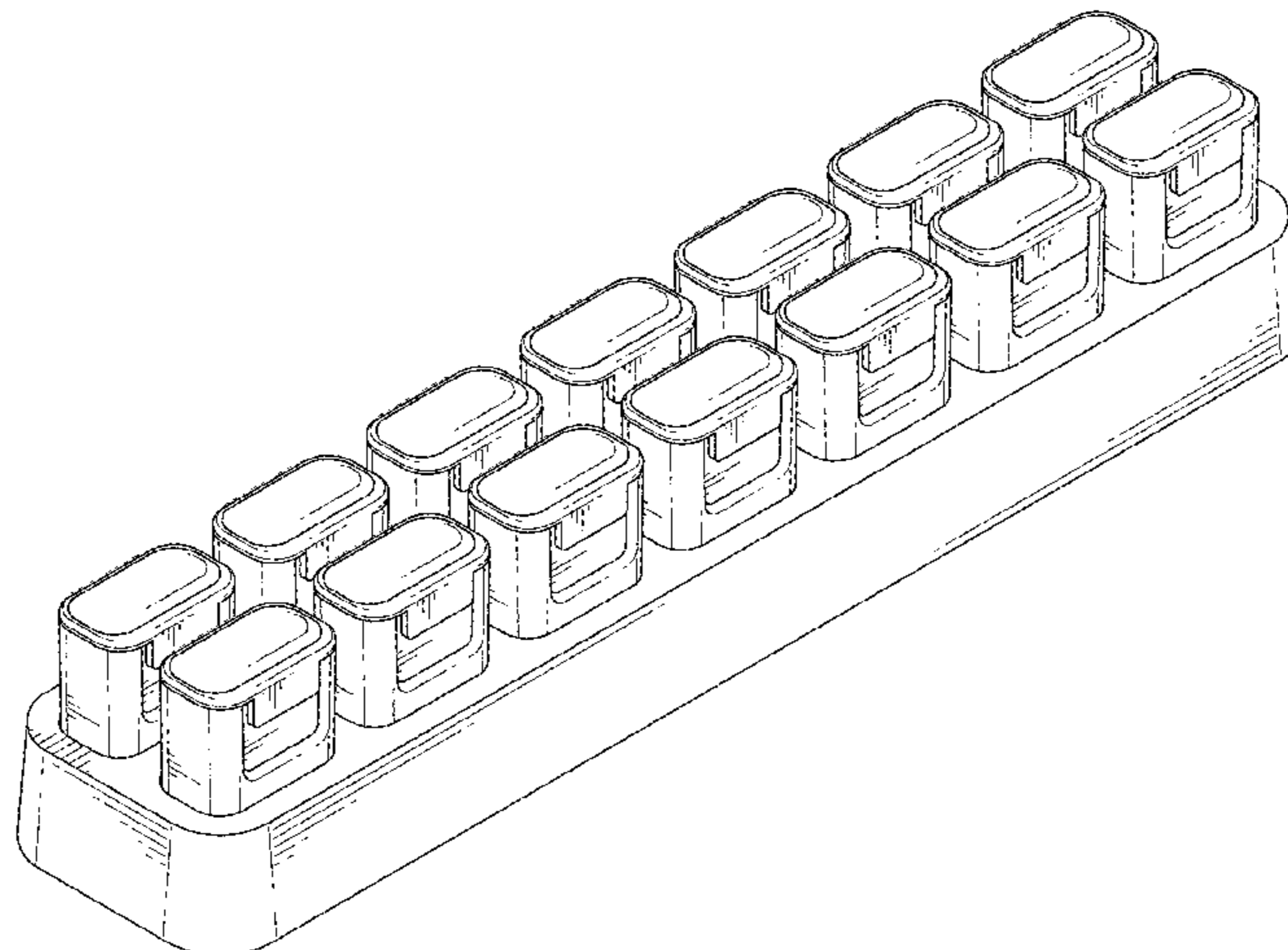


FIG. 26 is a side elevation view thereof;
 FIG. 27 is a top view thereof;
 FIG. 28 is a bottom view thereof;
 FIG. 29 is a perspective view of one of the pill pods of the second embodiment of the medication or pill organizer, shown separately and in an open state for ease of disclosure;
 FIG. 30 is a front elevation view thereof;
 FIG. 31 is a rear elevation view thereof;
 FIG. 32 is a side elevation view thereof;
 FIG. 33 is a top view thereof; and,
 FIG. 34 is a bottom view thereof.

Features of embodiments of the present application shown in broken lines are for illustrative purposes and form no part of the claimed design. In alternate embodiments, features shown in solid lines may be shown in broken lines such that said features form no part of the claimed design and Applicant reserves the right to pursue claims and protection for features shown in broken lines so that their appearance forms part of the claimed design and the right to pursue protection and claims for any combination or subset of the illustrated embodiments and different arrangements of the presently claimed and unclaimed portions of the illustrative embodiments of the design.

1 Claim, 9 Drawing Sheets

(58) Field of Classification Search

CPC A61J 1/00; A61J 1/03; A61J 7/04; A61J 7/0084; A61J 2205/50; B65D 1/36; B65D 2583/04; B65D 83/04; B65D 83/0445; B65D 83/0481; B65D 83/0409; B65D 25/04

See application file for complete search history.

(56) References Cited

U.S. PATENT DOCUMENTS

4,976,351 A * 12/1990 Mangini G09F 3/0288
 206/232
 5,046,609 A * 9/1991 Mangini G09F 3/0288
 206/232
 5,048,870 A * 9/1991 Mangini G09F 3/0288
 283/81
 5,267,650 A * 12/1993 Gilbilisco A61J 1/03
 206/534
 5,735,406 A * 4/1998 Keffeler A61J 1/03
 206/535
 D430,392 S * 9/2000 Noble D3/201
 7,395,929 B2 * 7/2008 Keffeler B65D 83/0445
 206/528
 D576,404 S * 9/2008 Cooper D3/203.3
 7,793,785 B2 * 9/2010 Keffeler B65D 83/04
 206/538
 8,757,381 B2 * 6/2014 Bouthiette B65D 75/327
 206/534

9,289,354 B2 * 3/2016 Ryan B65D 25/06
 9,311,452 B2 * 4/2016 Dickie A61J 1/03
 9,757,305 B2 * 9/2017 Ika A61J 1/035
 9,782,327 B2 * 10/2017 Miceli A61J 7/0084
 9,889,068 B1 * 2/2018 Bakhoun B65D 43/163
 D850,782 S * 6/2019 Lee D3/203.3
 10,391,035 B2 * 8/2019 Hafner B65D 77/2024
 D877,489 S * 3/2020 Lee D3/203.2
 D882,940 S * 5/2020 Arn D3/203.3
 D897,666 S * 10/2020 Guo D3/203.3
 D899,763 S * 10/2020 McNeil D3/203.3
 D927,847 S * 8/2021 Cerami, III D3/203.3

OTHER PUBLICATIONS

Pill Thing Pill Organizer, amazon.com, https://www.amazon.com/Monthly-Pill-Organizer-Pods-Unconditional/dp/B00VVMZ81W/ref=sr_1_5?crd=1MF5D2GNMKR4J&keywords=31%2Bday%2Bpill%2Borganizer&qid=1642081666&s=hpc&sprefix=31%2Bday%2B%2Chpc%2C86&sr=1-5&th=1 (Year: 2015).*

Minerva Pill Organizer, amazon.com, https://www.amazon.com/Organizer-Medicine-Monthly-Vitamin-Supplement/dp/B07WF2XF1X/ref=sr_1_12?crd=1MF5D2GNMKR4J&keywords=31+day+pill+organizer&qid=1642081666&s=hpc&sprefix=31+day+%2Chpc%2C86&sr=1-12 (Year: 2019).*

Maxx XXL Pill Organizer, amazon.com, https://www.amazon.com/Monthly-Organizer-Dispenser-Removable-Travel/dp/B08K9G2TZL/ref=sr_1_2?crd=GIIXM2NSZ5JH&keywords=maxx%2Bxl%2B31%2Bday%2Bpill%2Borganizer&qid=1642082190&s=hpc&sprefix=maxx%2Bxxl%2B31%2Bday%2Bpill%2Borganizer%2Chpc%2C69&sr=1-2&th=1 (Year: 2015).*

GMS 31 Day Pill Organizer, amazon.com, https://www.amazon.com/GMS-Organizer-Medication-Supplements-Prescriptions/dp/B07QCQW6ZJ?ref=ast_sto_dp (Year: 2019).*

GMS 7 Day Pill Organizer, amazon.com, https://www.amazon.com/GMS-Day-Pill-Organizer-Supplements/dp/B0844LDN9Z/ref=sr_1_7?crd=2540N9P5KXOTL&keywords=pill+pod&qid=1642082382&s=hpc&sprefix=pill+pod%2Chpc%2C70&sr=1-7 (Year: 2020).*

Group Medical Supply LLC, GMS 7 Day Pill Organizer | 4Times a Day | Removable Pill Boxes, prior to Nov. 26, 2019 (1 page) <https://groupmedicalsupply.com/product/4-a-day-pill-boxes-rainbow/>.

Group Medical Supply LLC, GMS Moisture-Proof Travel Pill Organizer | BPA Free Organizing Box, prior to Nov. 26, 2019 (1 page) <https://groupmedicalsupply.com/product/gms-7-day-4-times-a-day-bpa-free-waterproof-vitamin-pill-supplement-organizer-and-tray-with-daily-removale-multi-colored-tablet-boxes/>.

Group Medical Supply LLC, GMS 31 Day Pill Organizer | Portable Pop-out Pocket Pods, prior to Nov. 26, 2019 (2 pages) <https://groupmedicalsupply.com/product/gms-31-day-pill-organizer-with-daily-portable-pop-out-pods-to-contain-medication-vitamins-supplements-or-prescriptions/>.

MAXX XXL 31 Day Pill Organizer, <https://www.amazon.com/Monthly-Organizer-Dispenser-Removable-Travel/dp/B08K9G2TZL> (1 page) (prior to 2021).

* cited by examiner

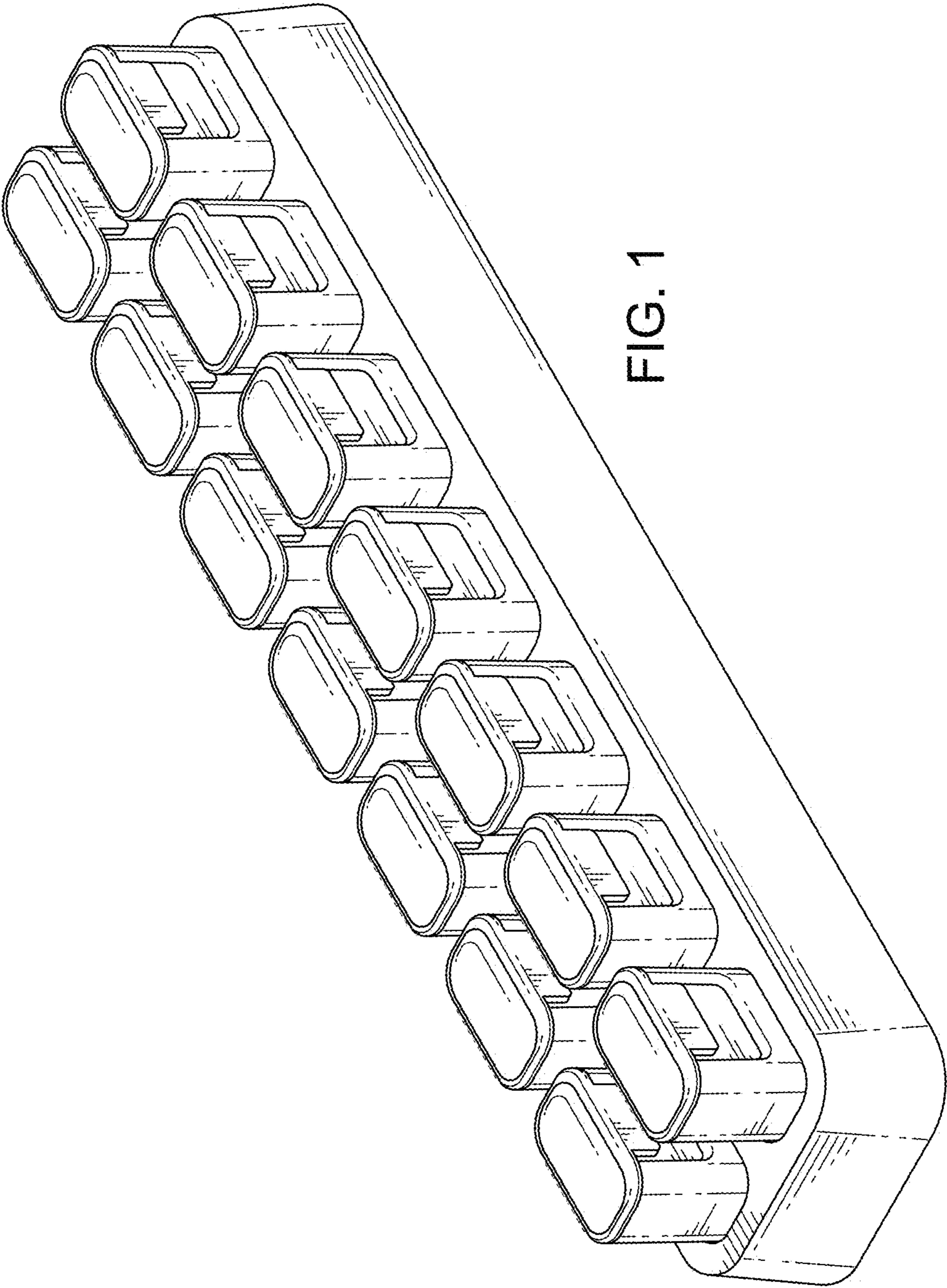


FIG. 1

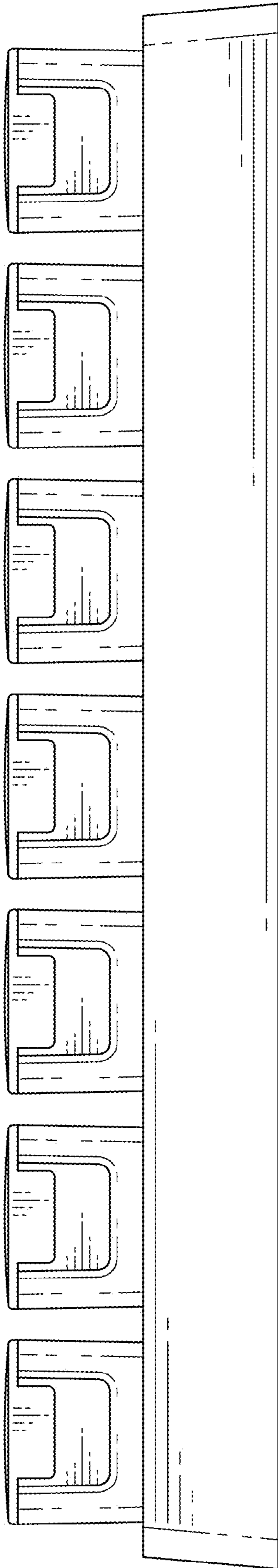


FIG. 2

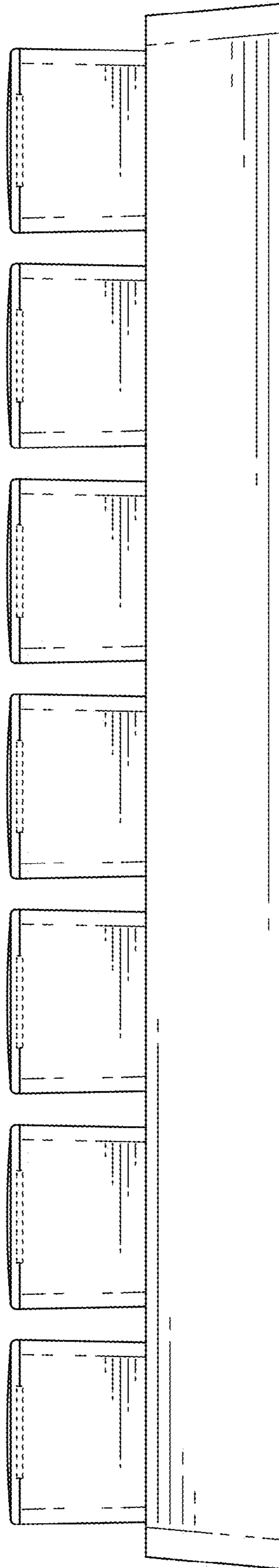


FIG. 3

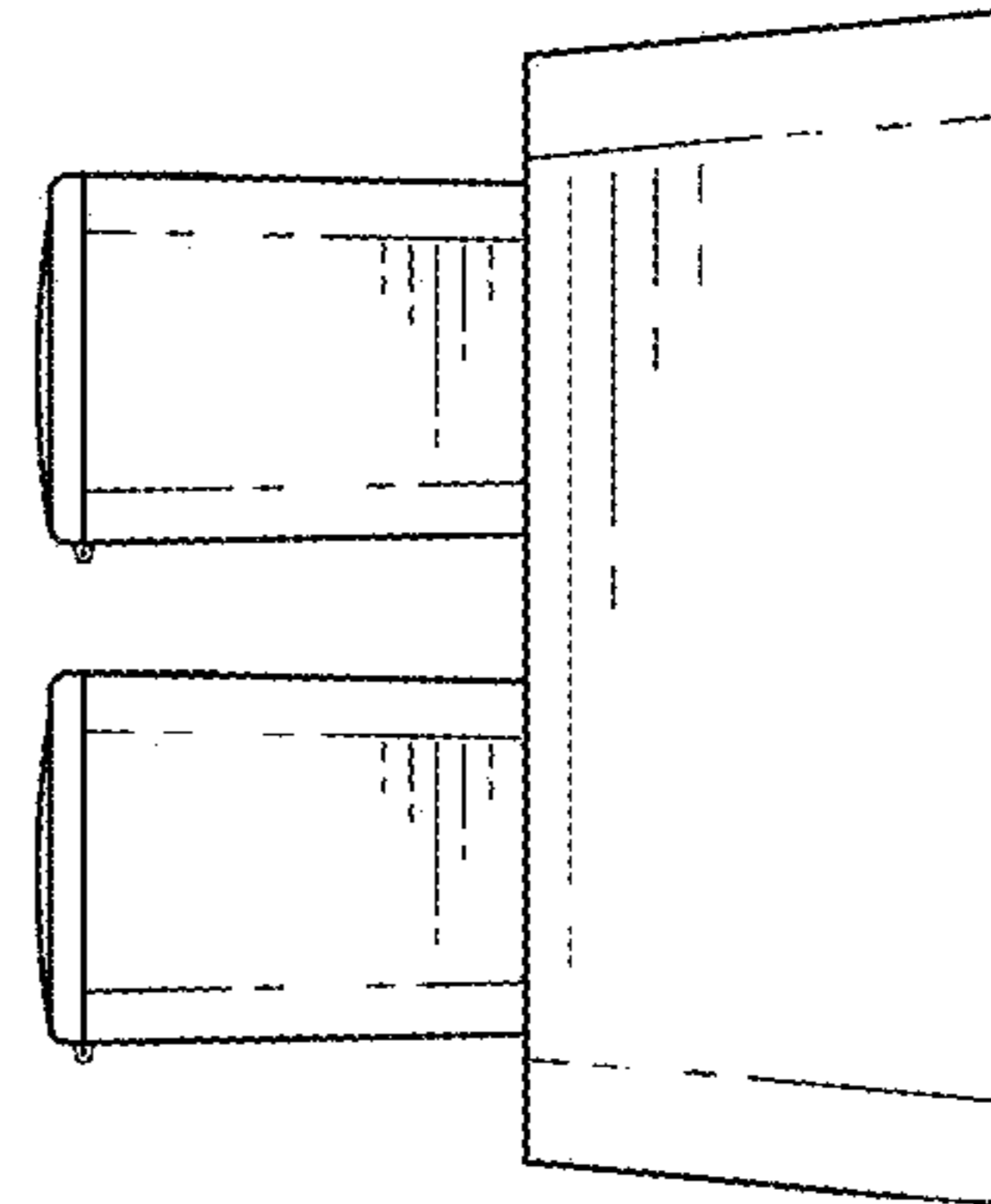


FIG. 4

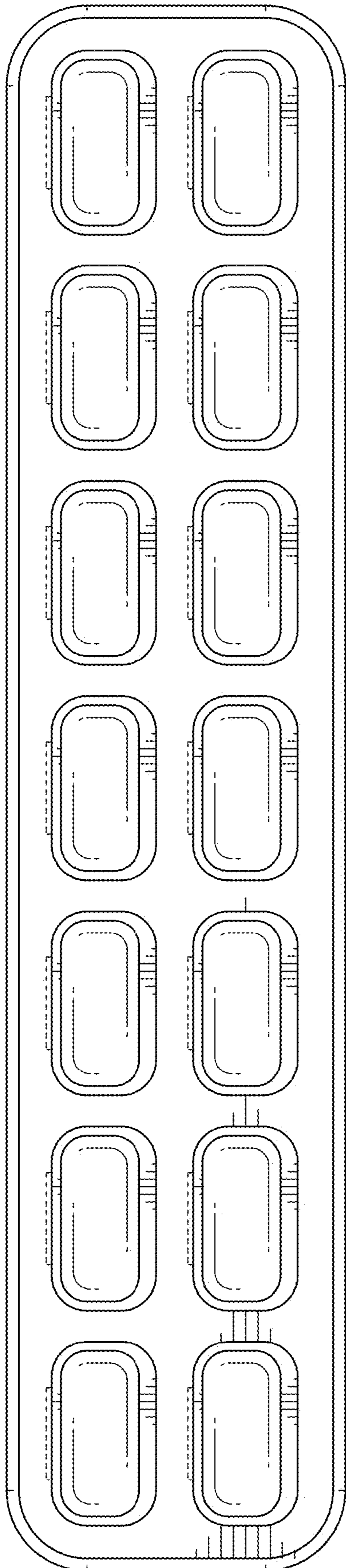


FIG. 5

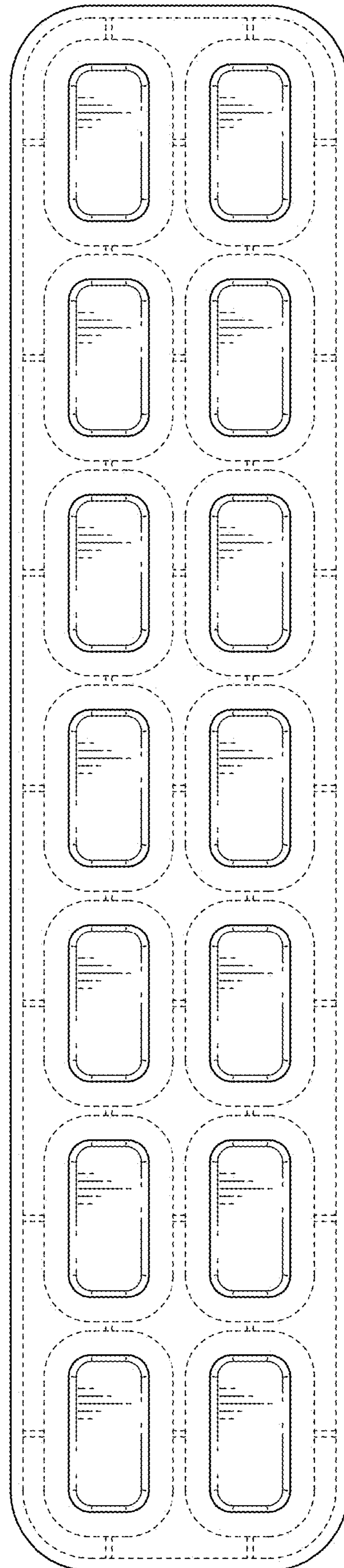


FIG. 6

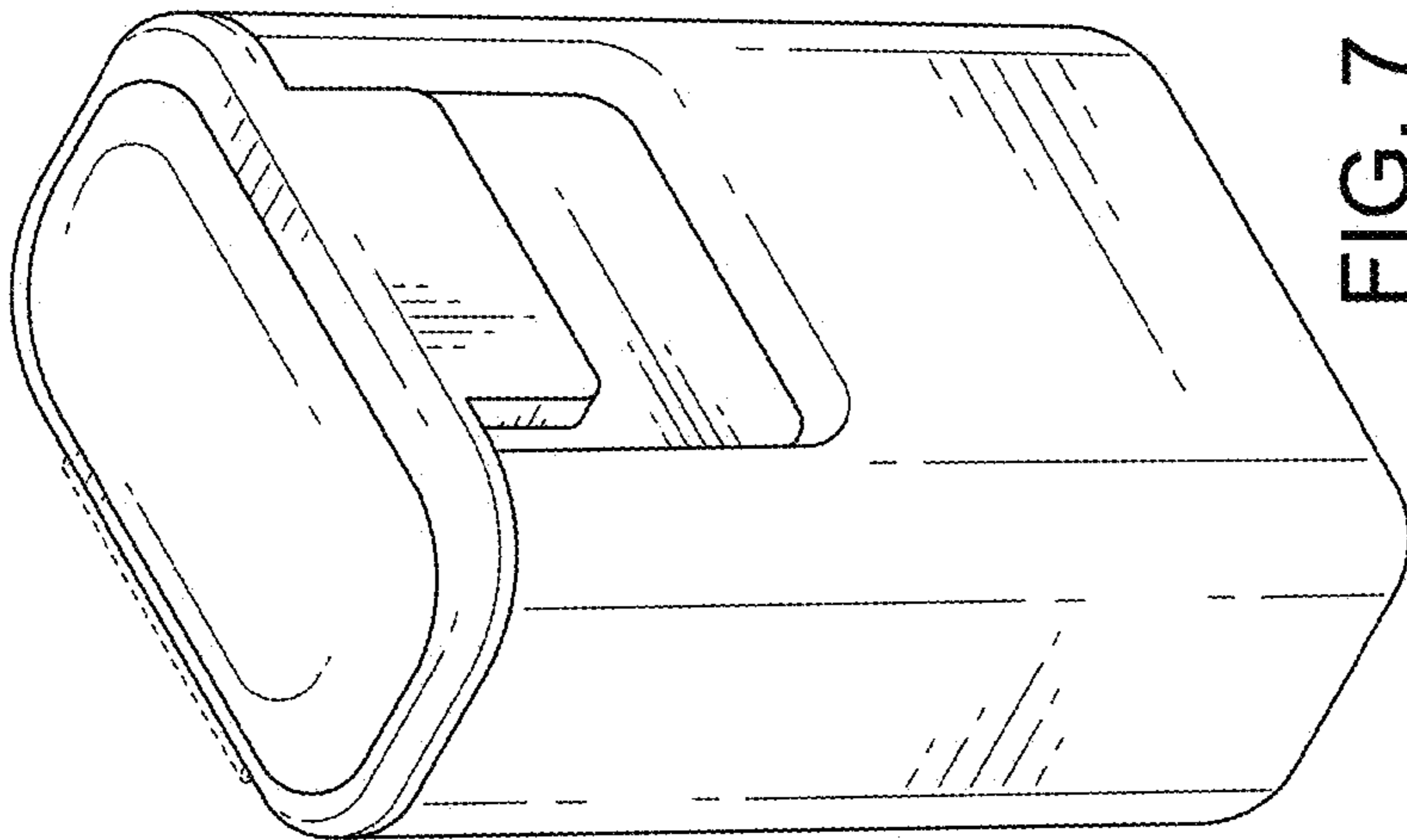


FIG. 7

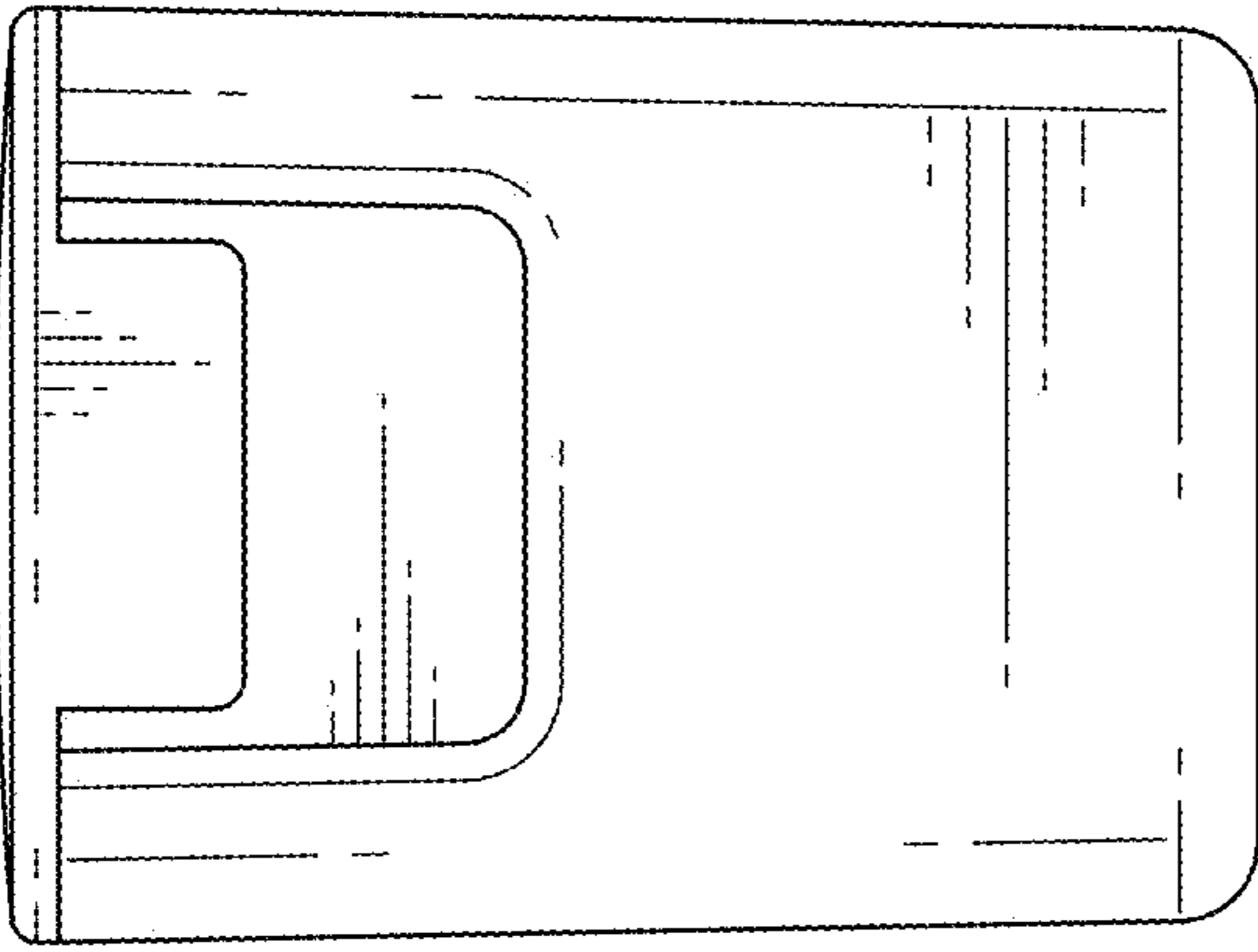


FIG. 8

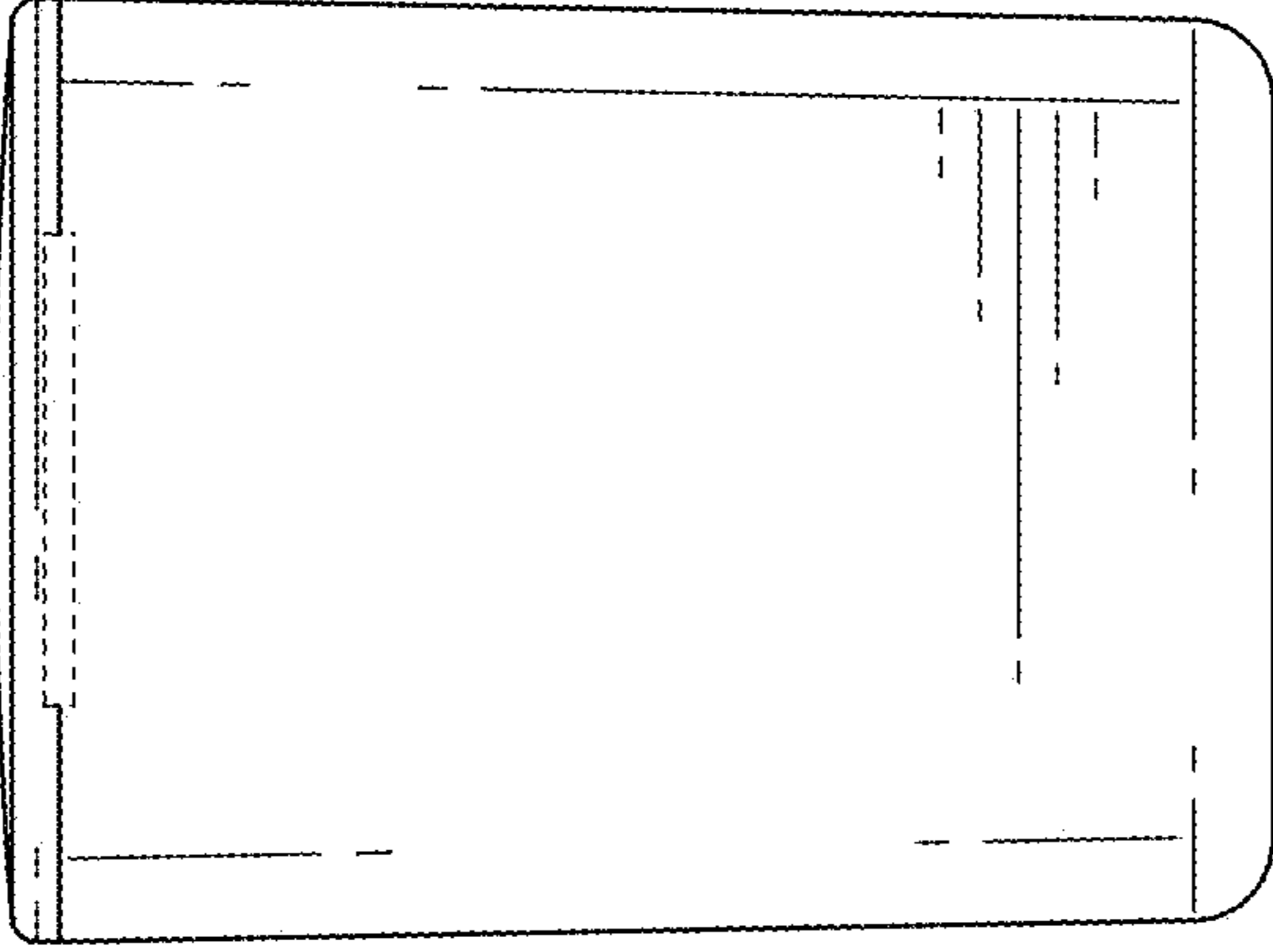


FIG. 9

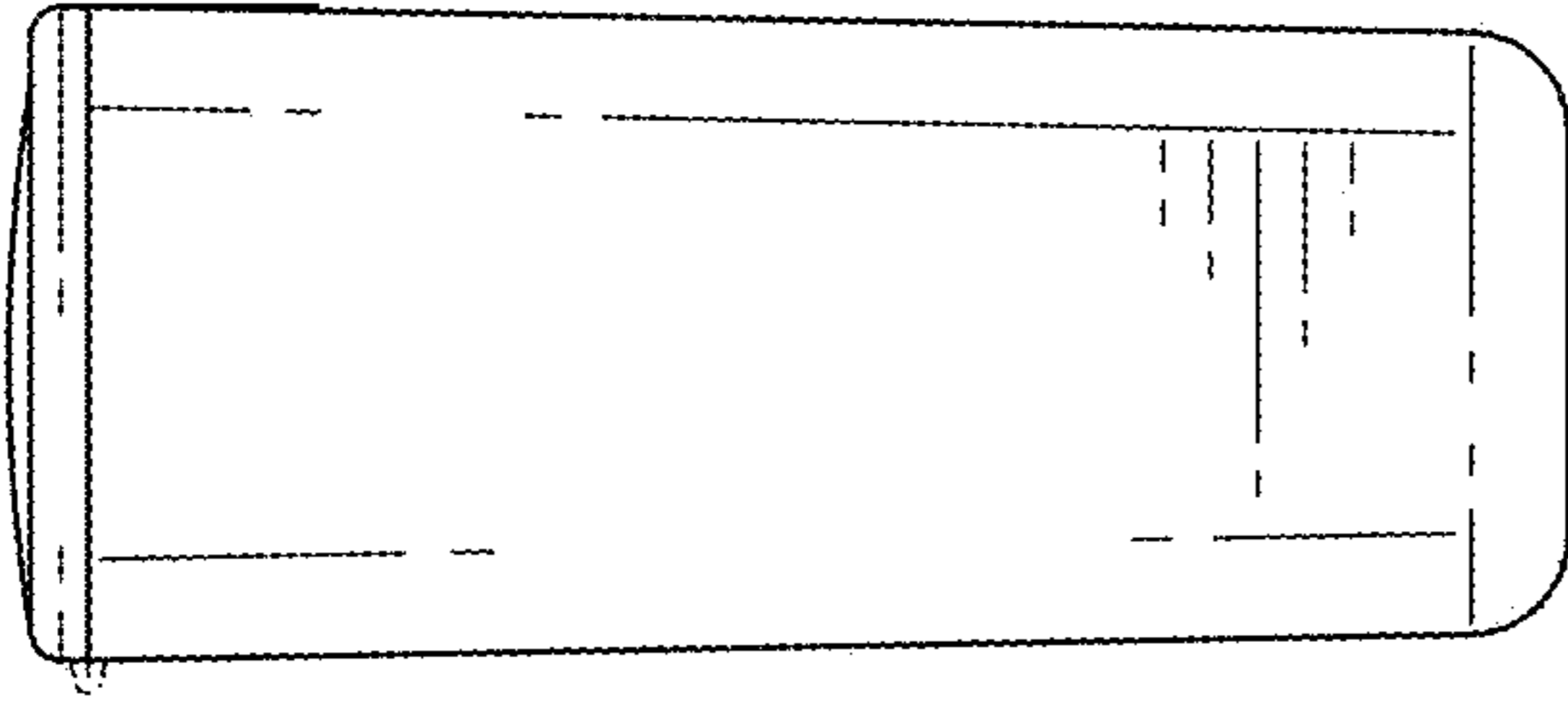


FIG. 10

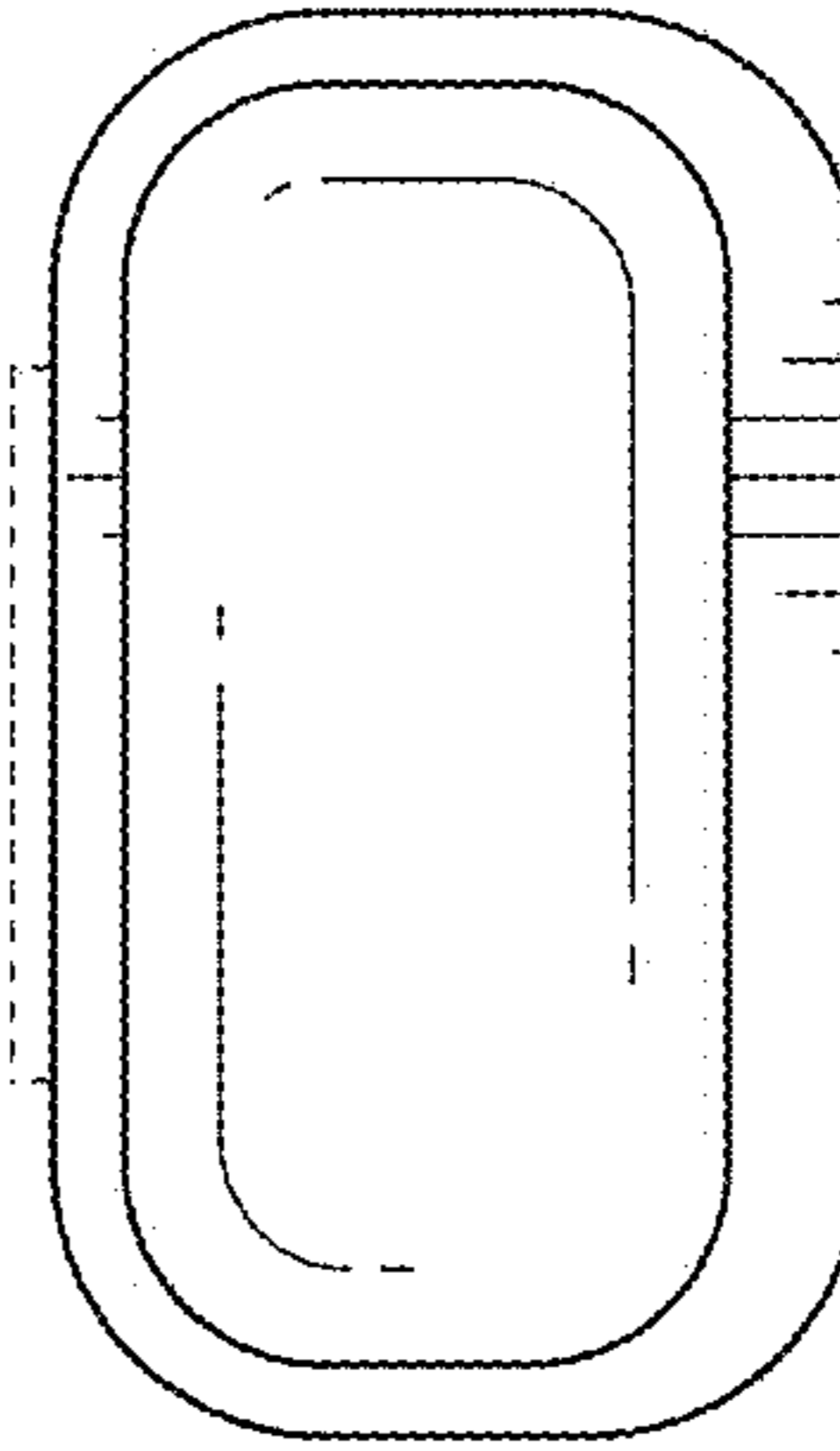


FIG. 11

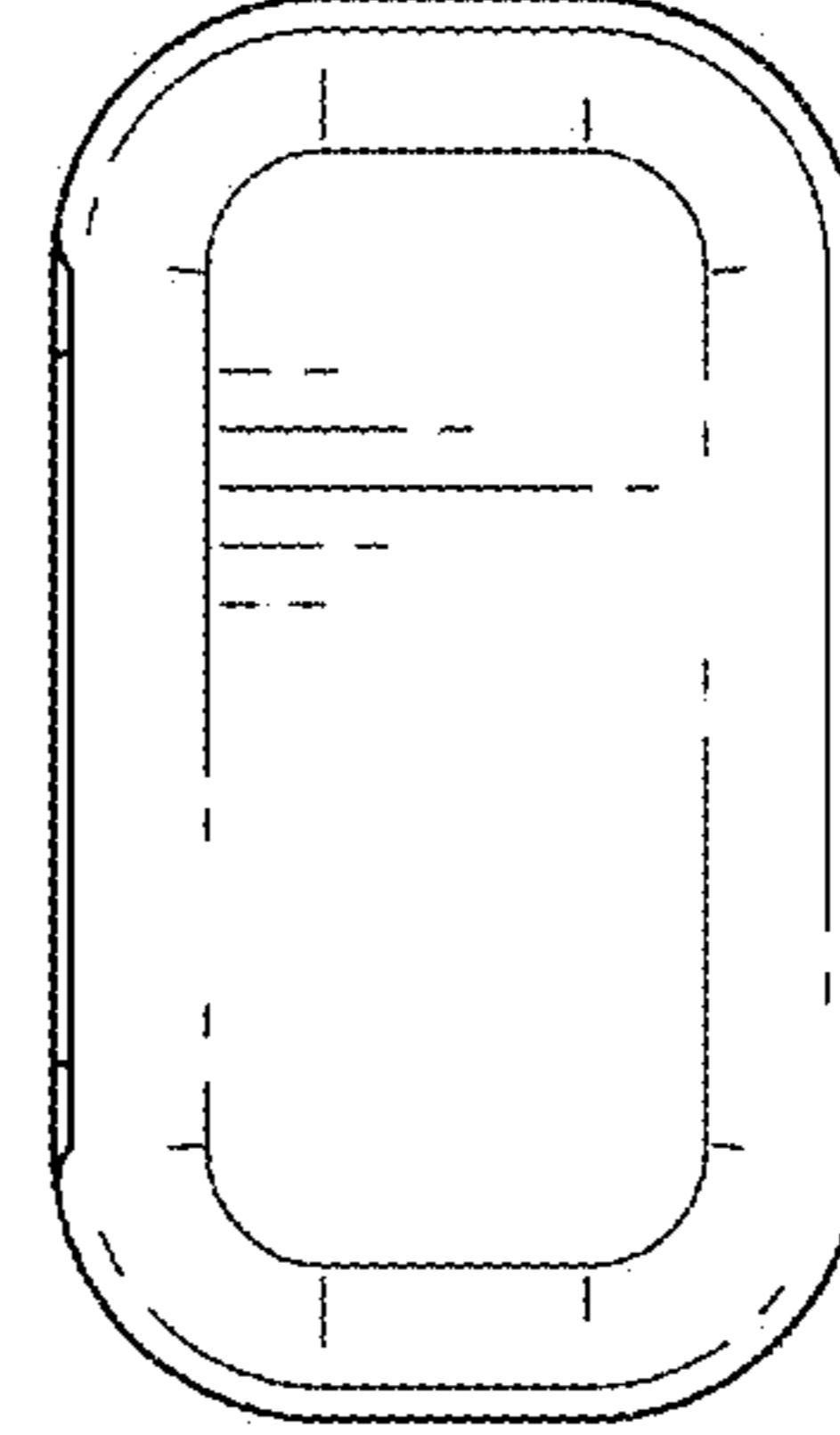


FIG. 12

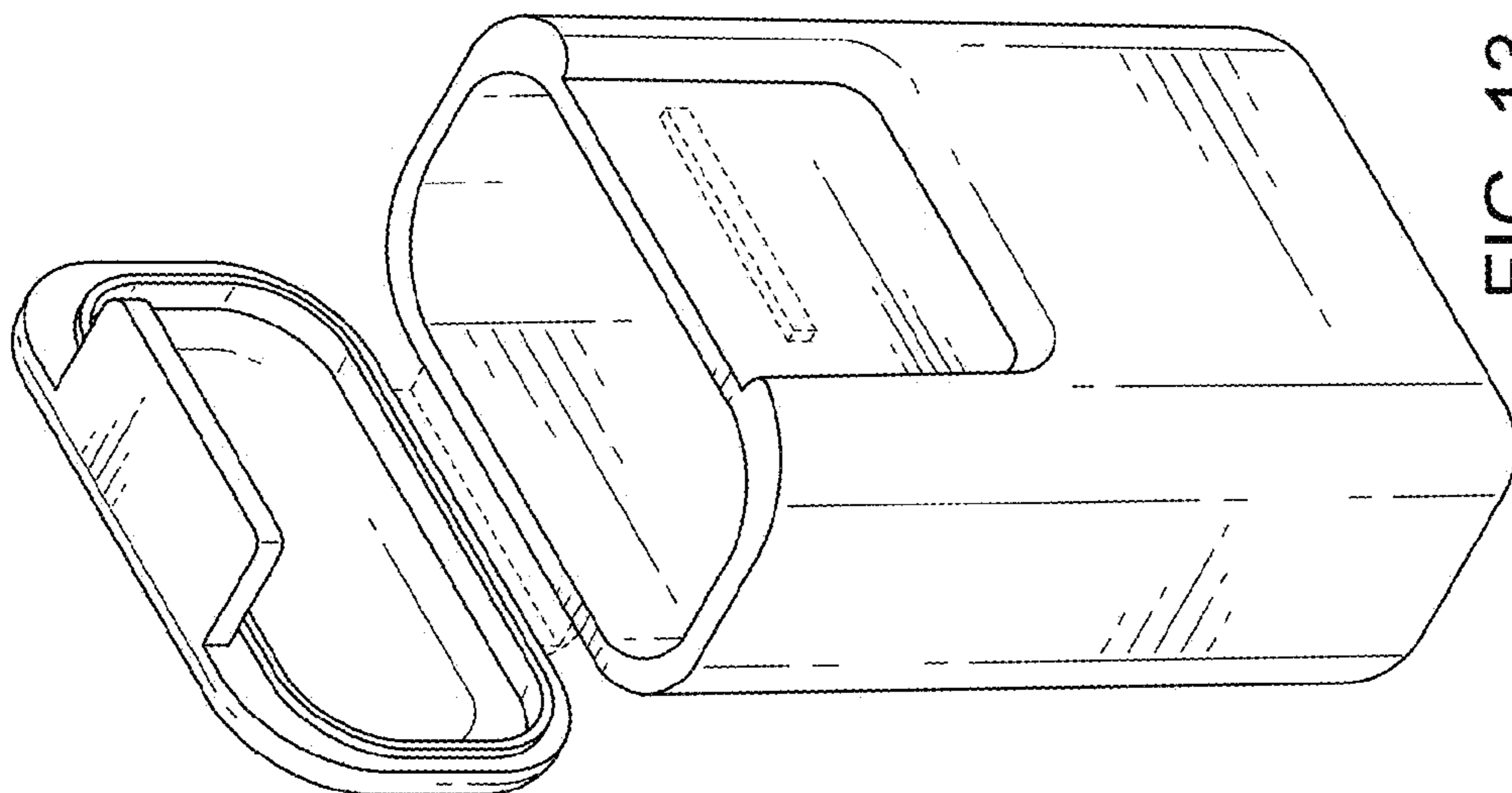


FIG. 13

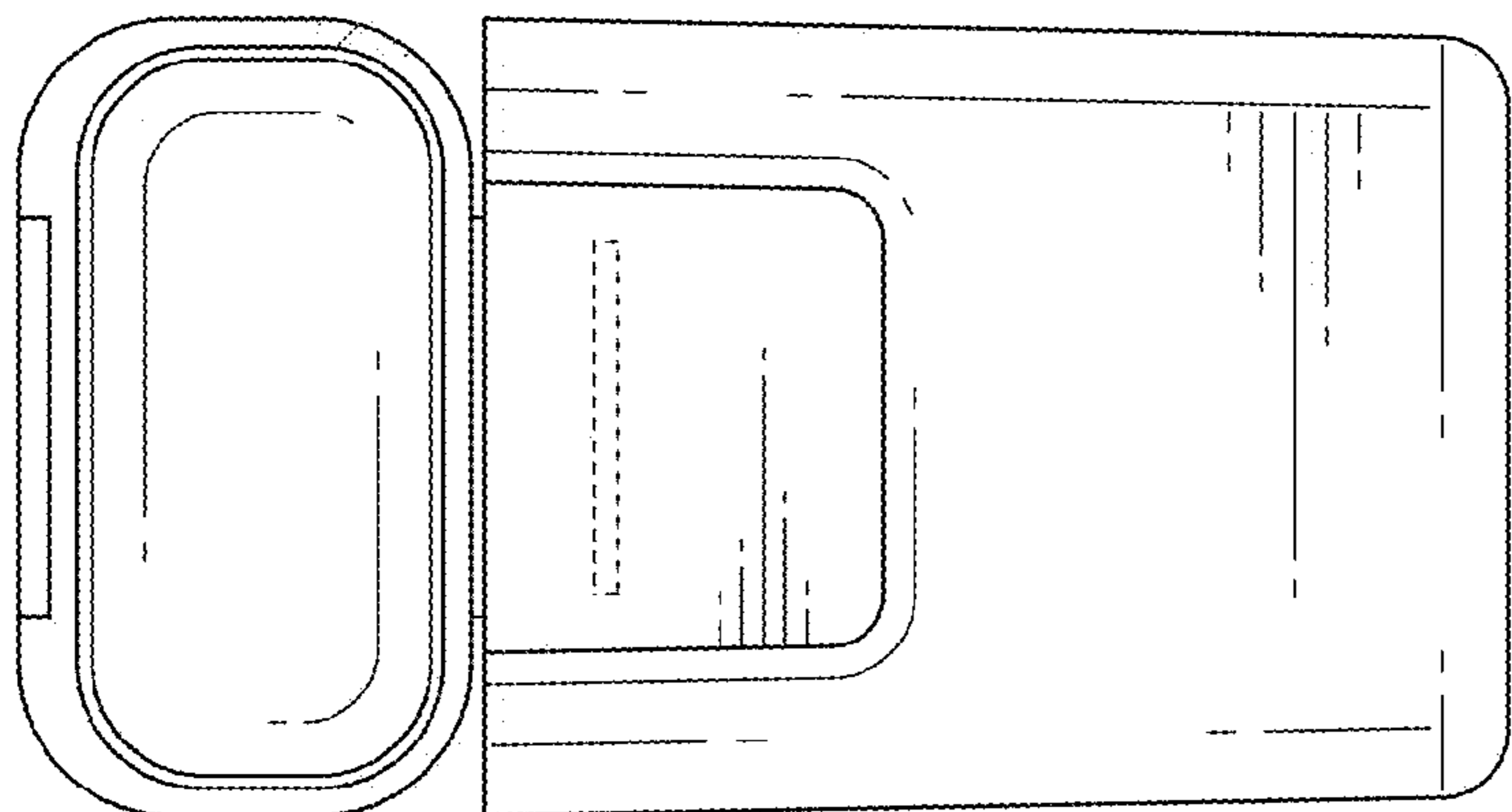


FIG. 14

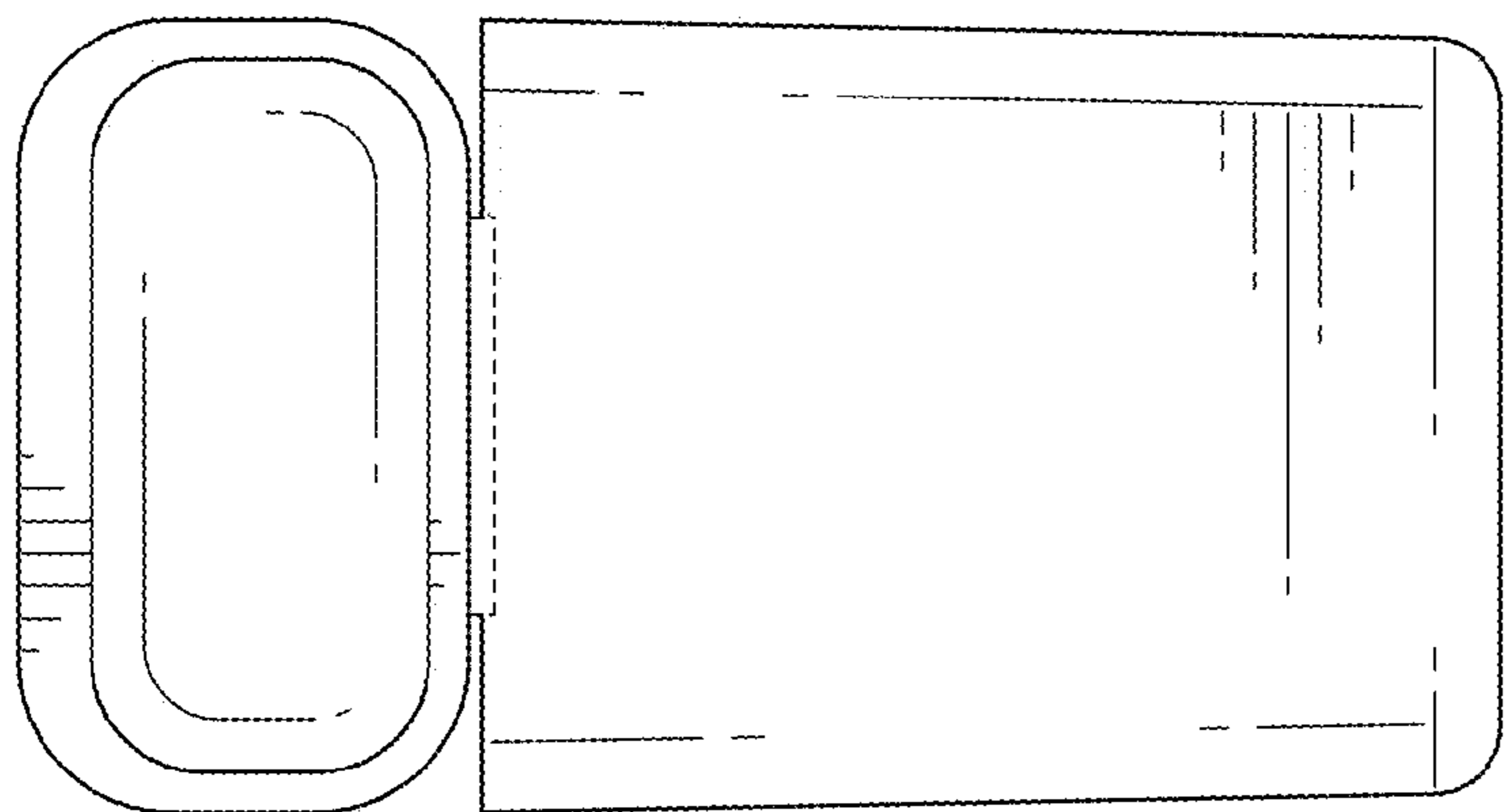


FIG. 15

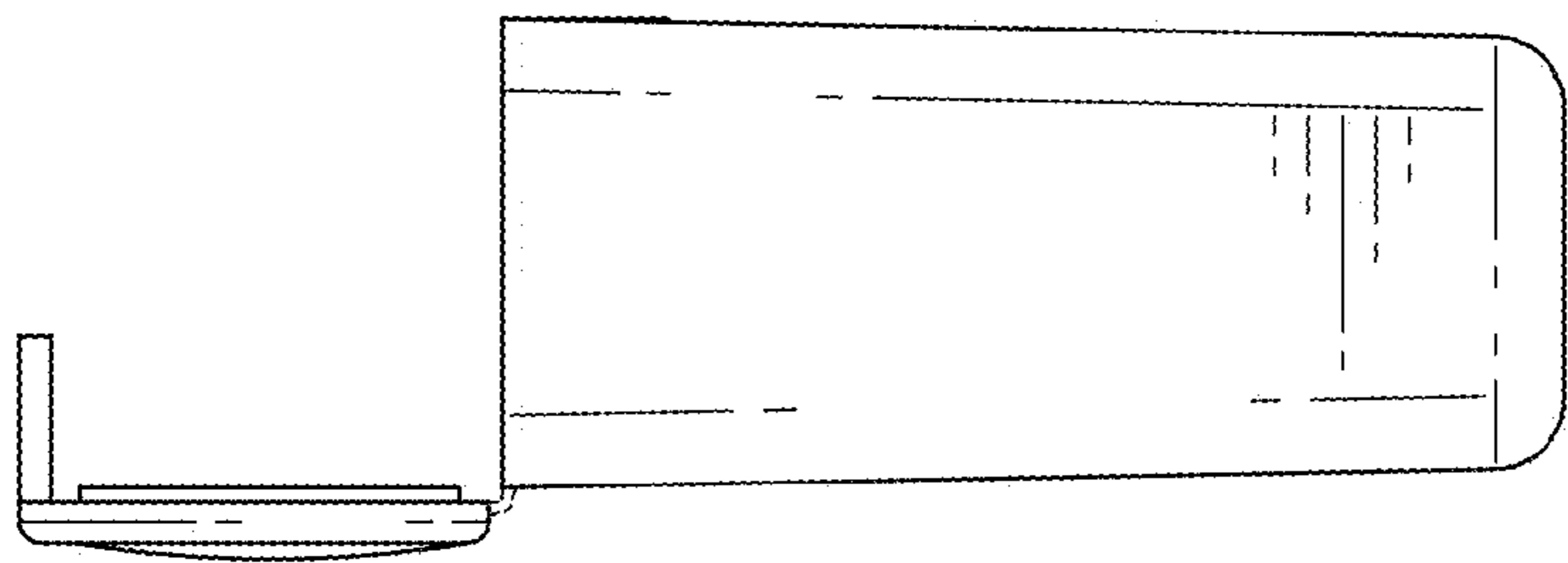


FIG. 16

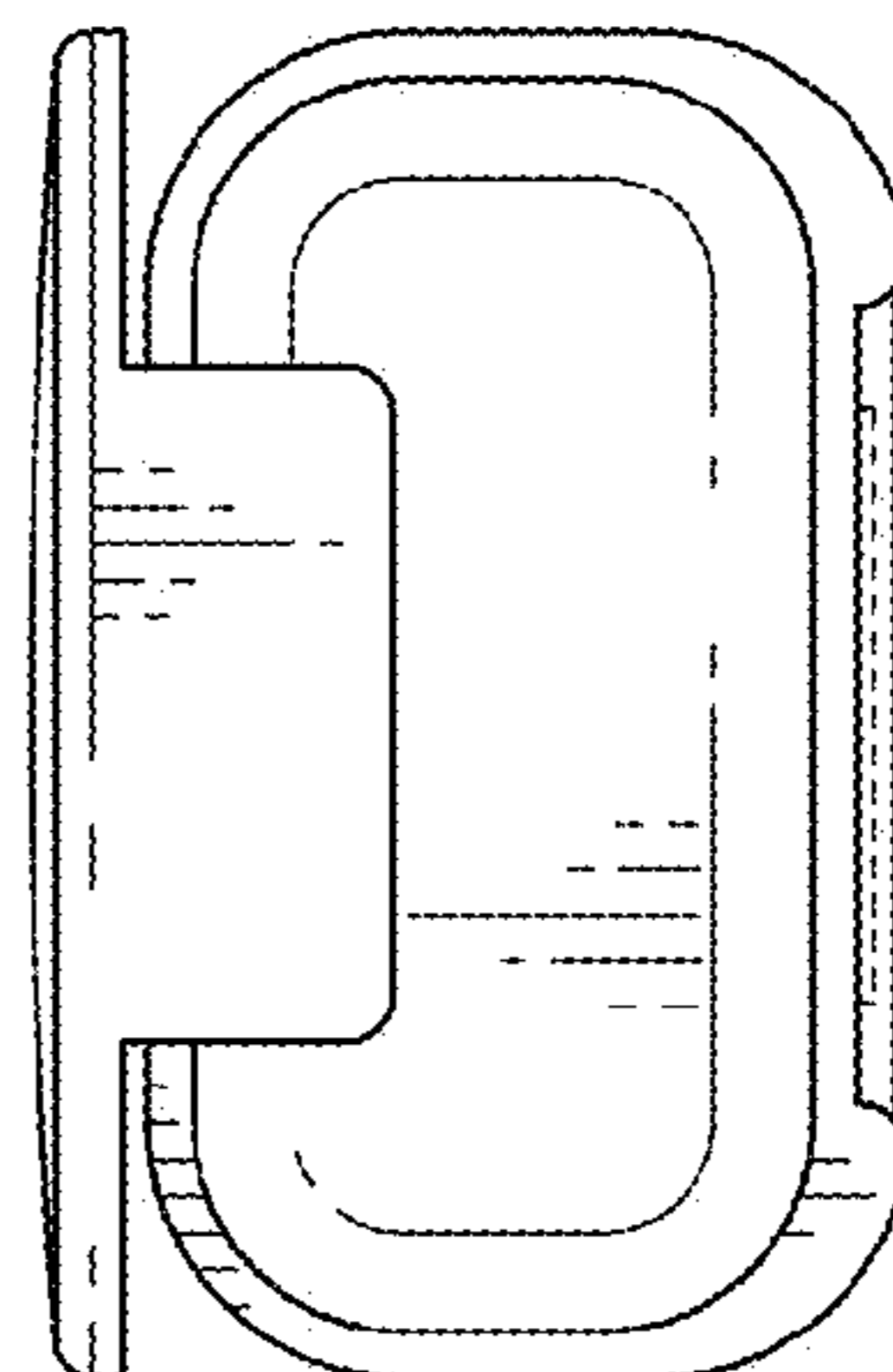


FIG. 17

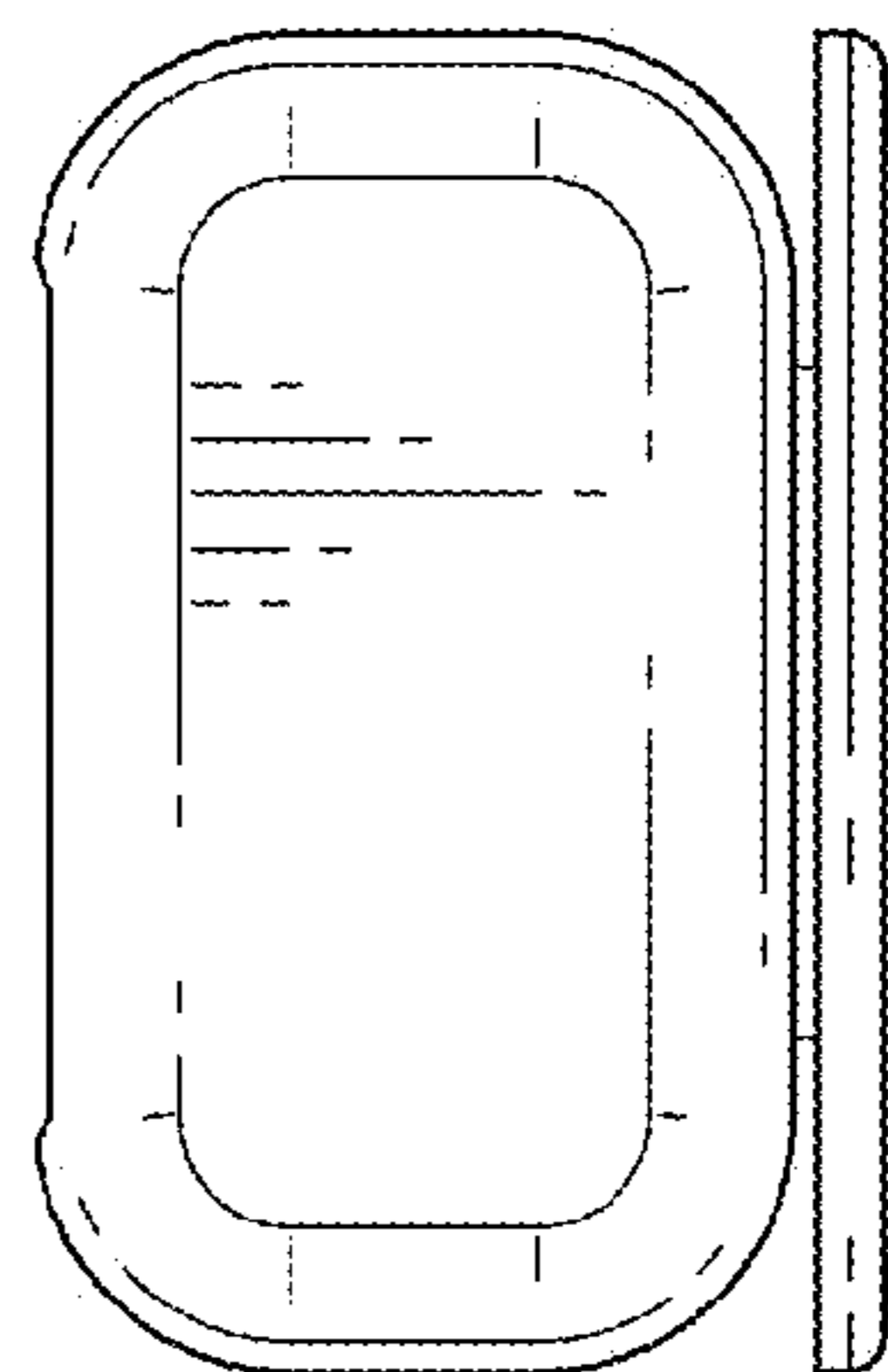


FIG. 18

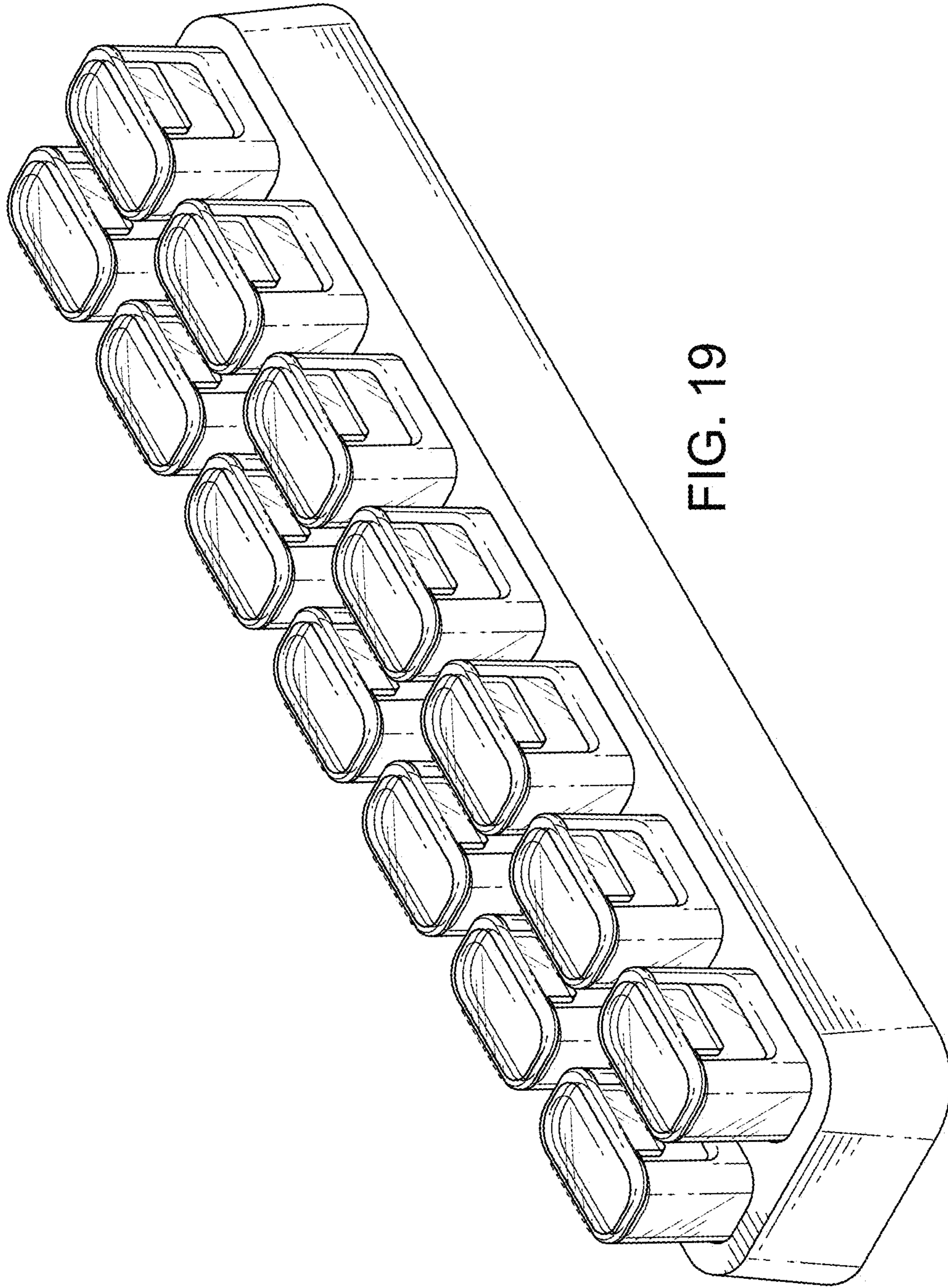


FIG. 19

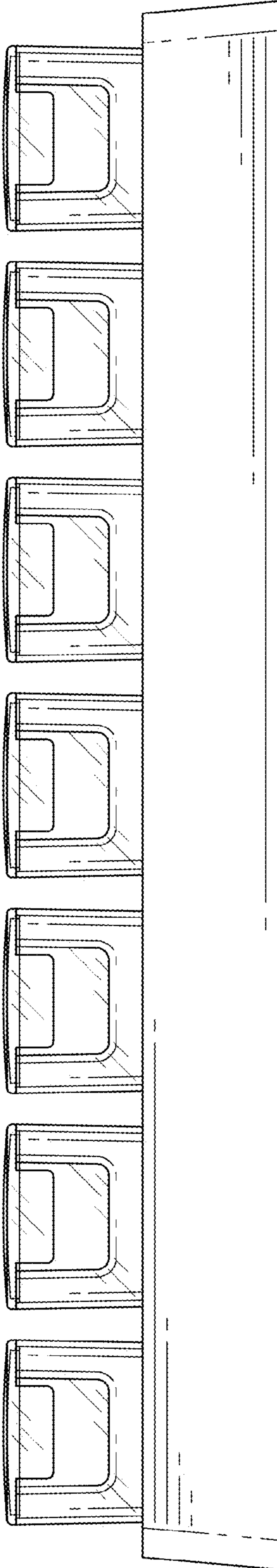


FIG. 20

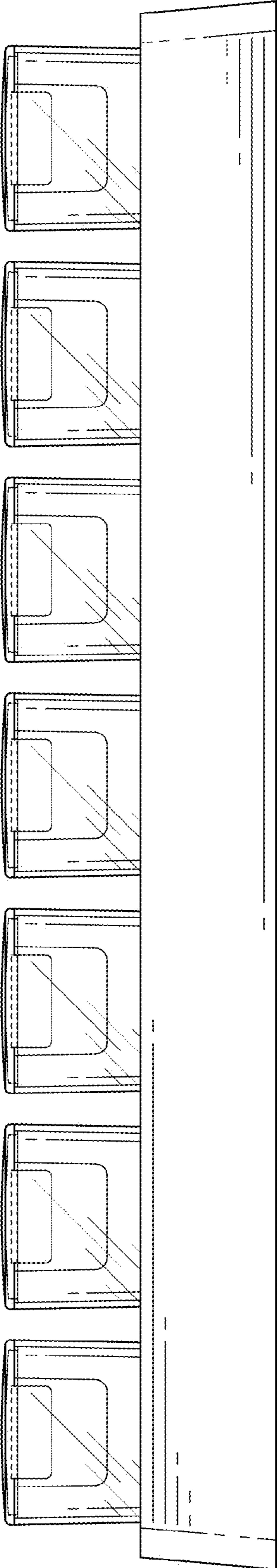


FIG. 21

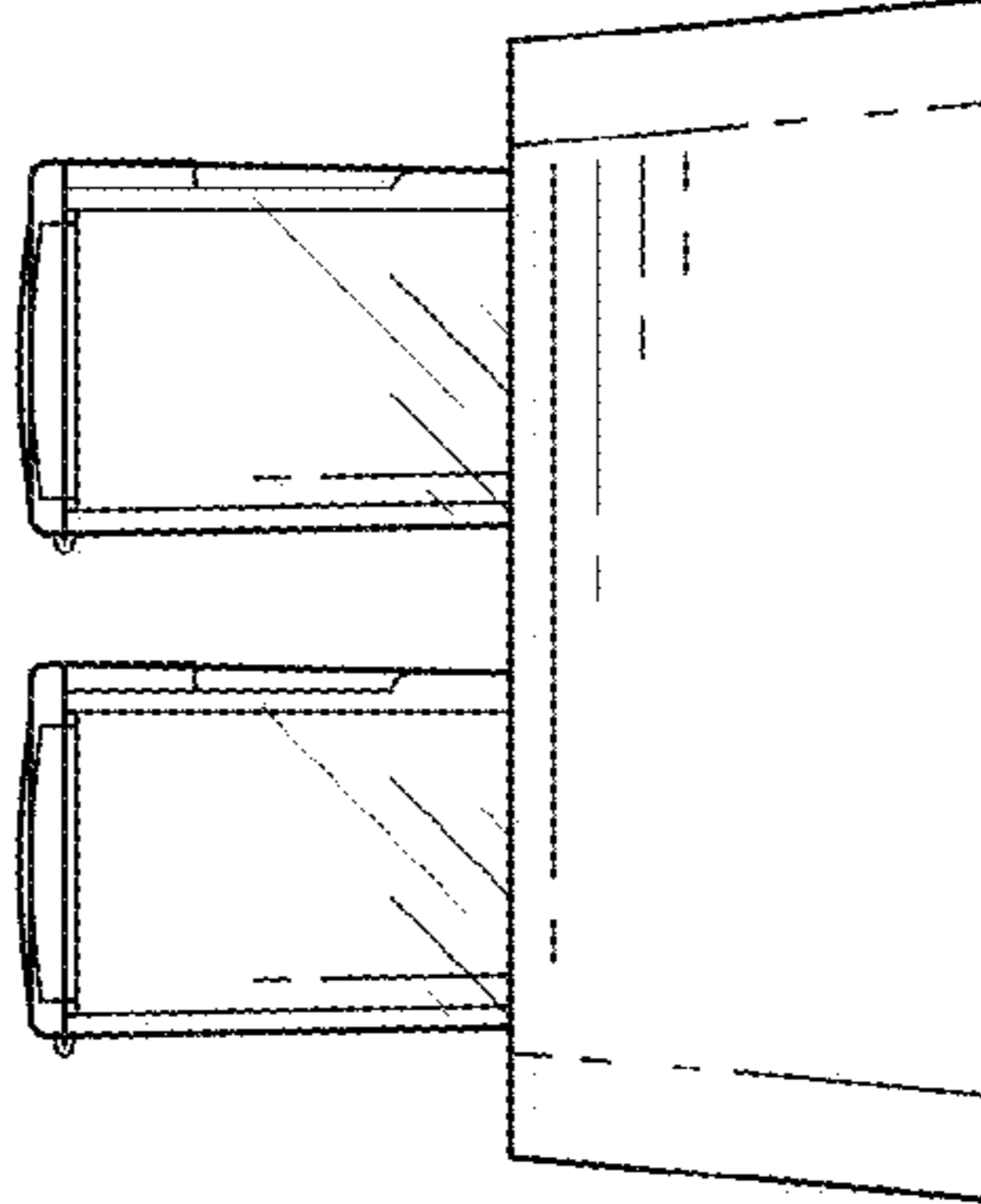


FIG. 22

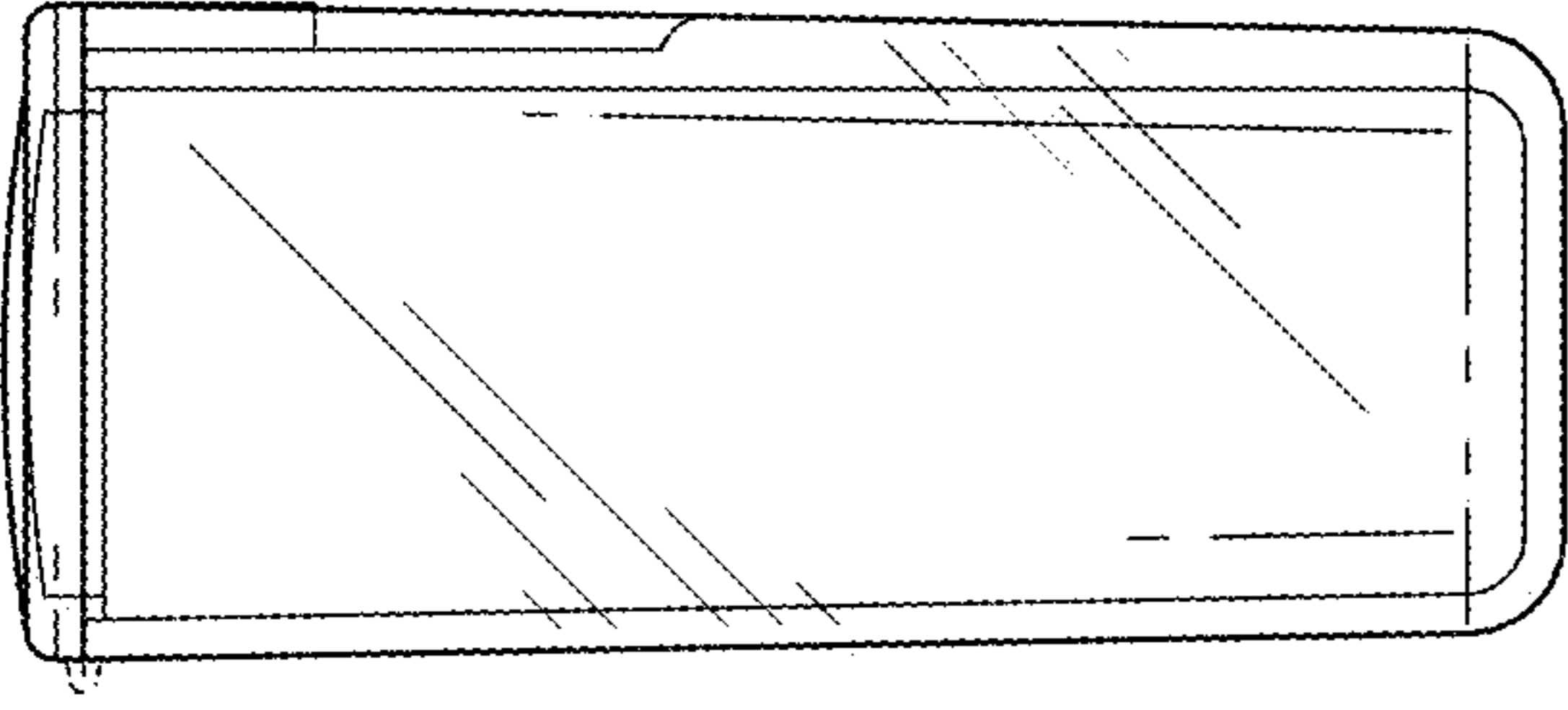


FIG. 26

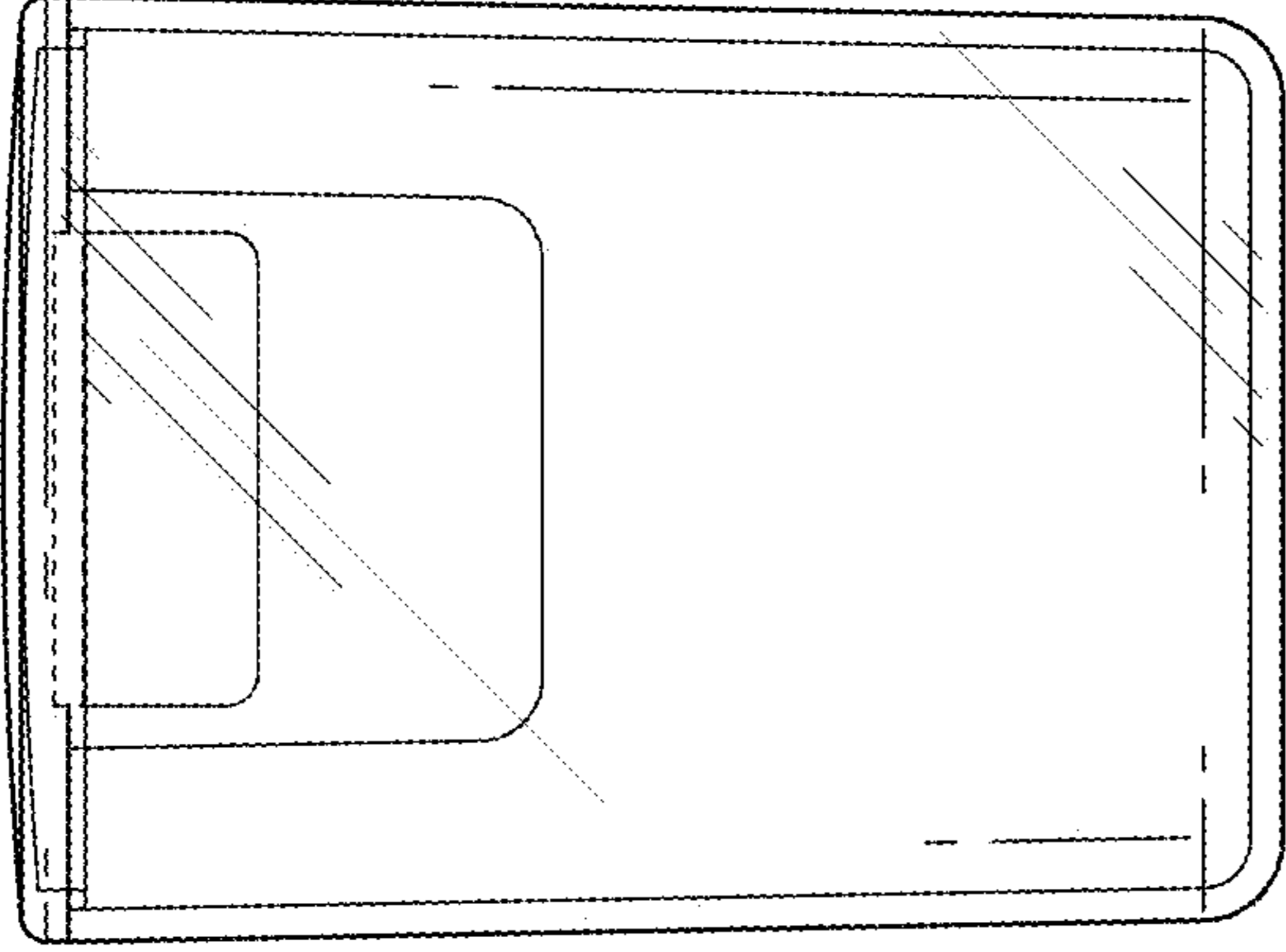


FIG. 25

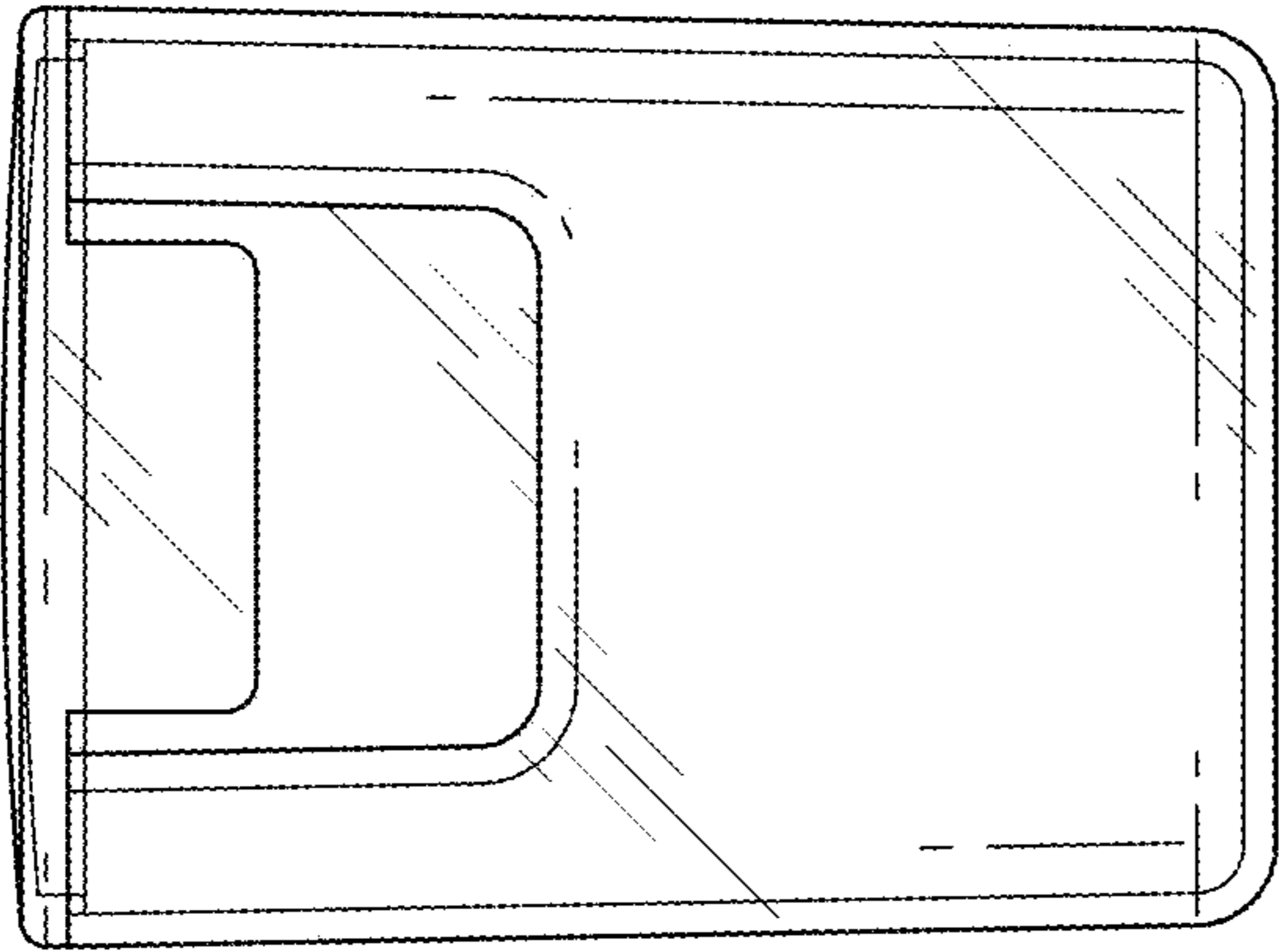


FIG. 24

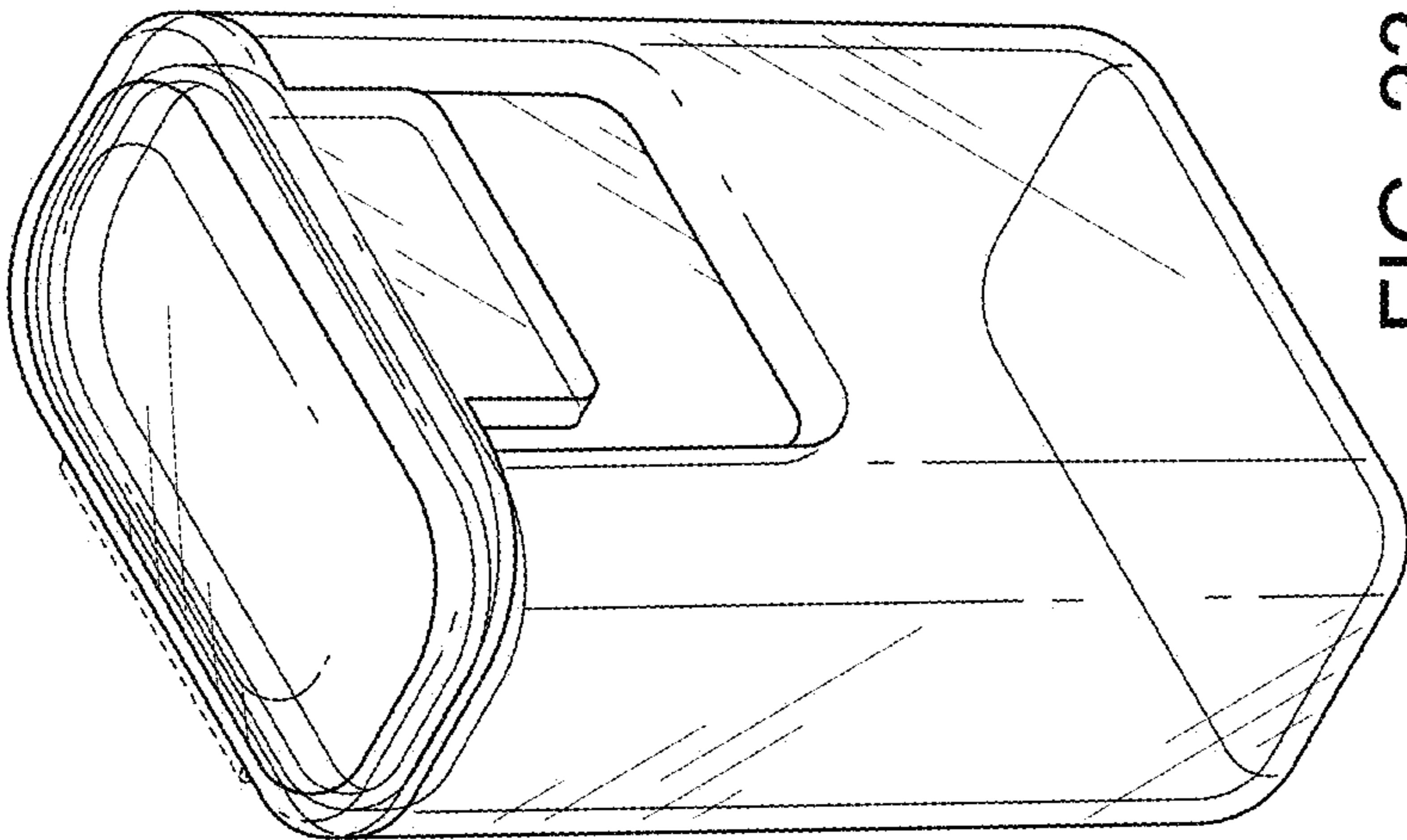


FIG. 23

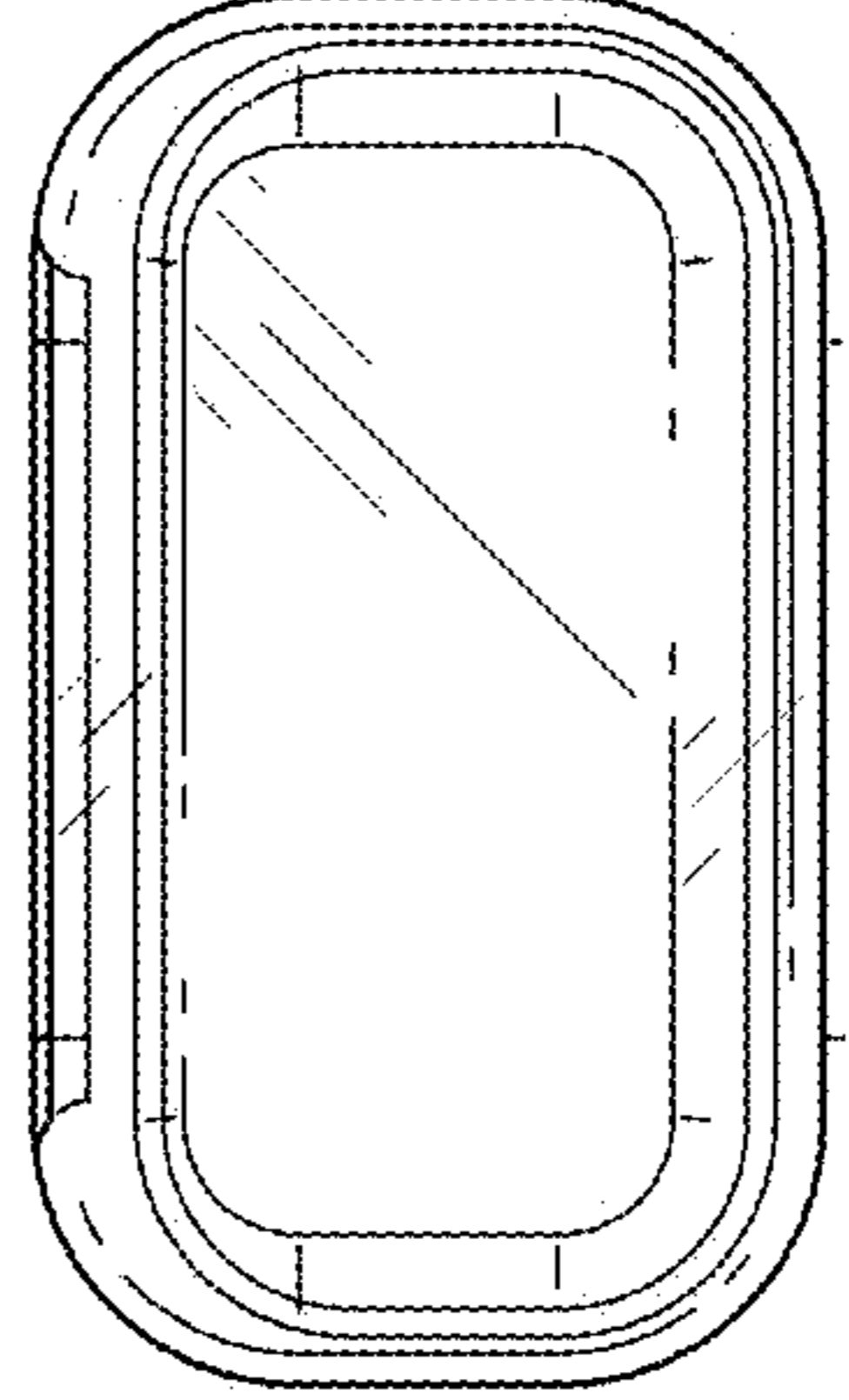


FIG. 28

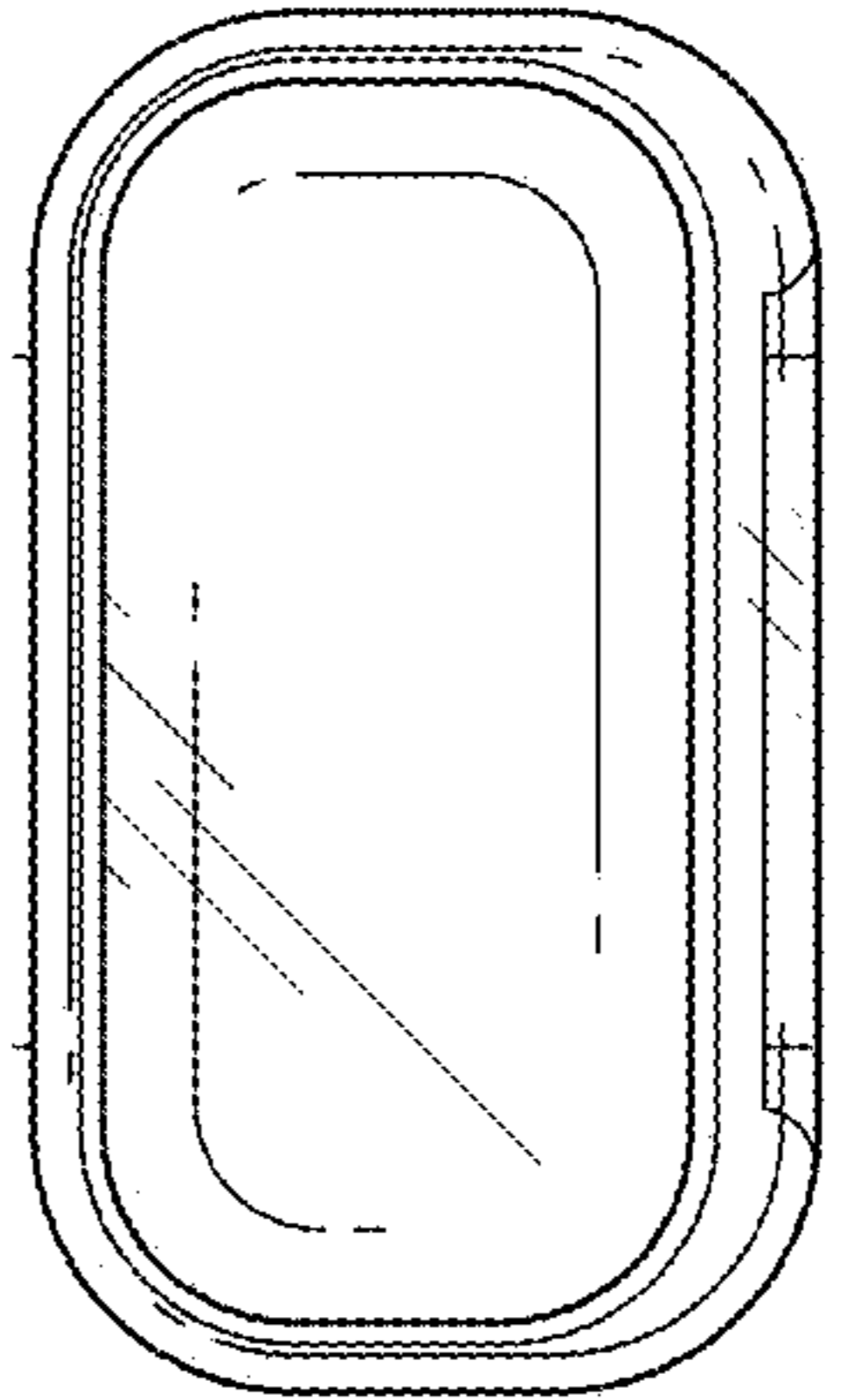


FIG. 27

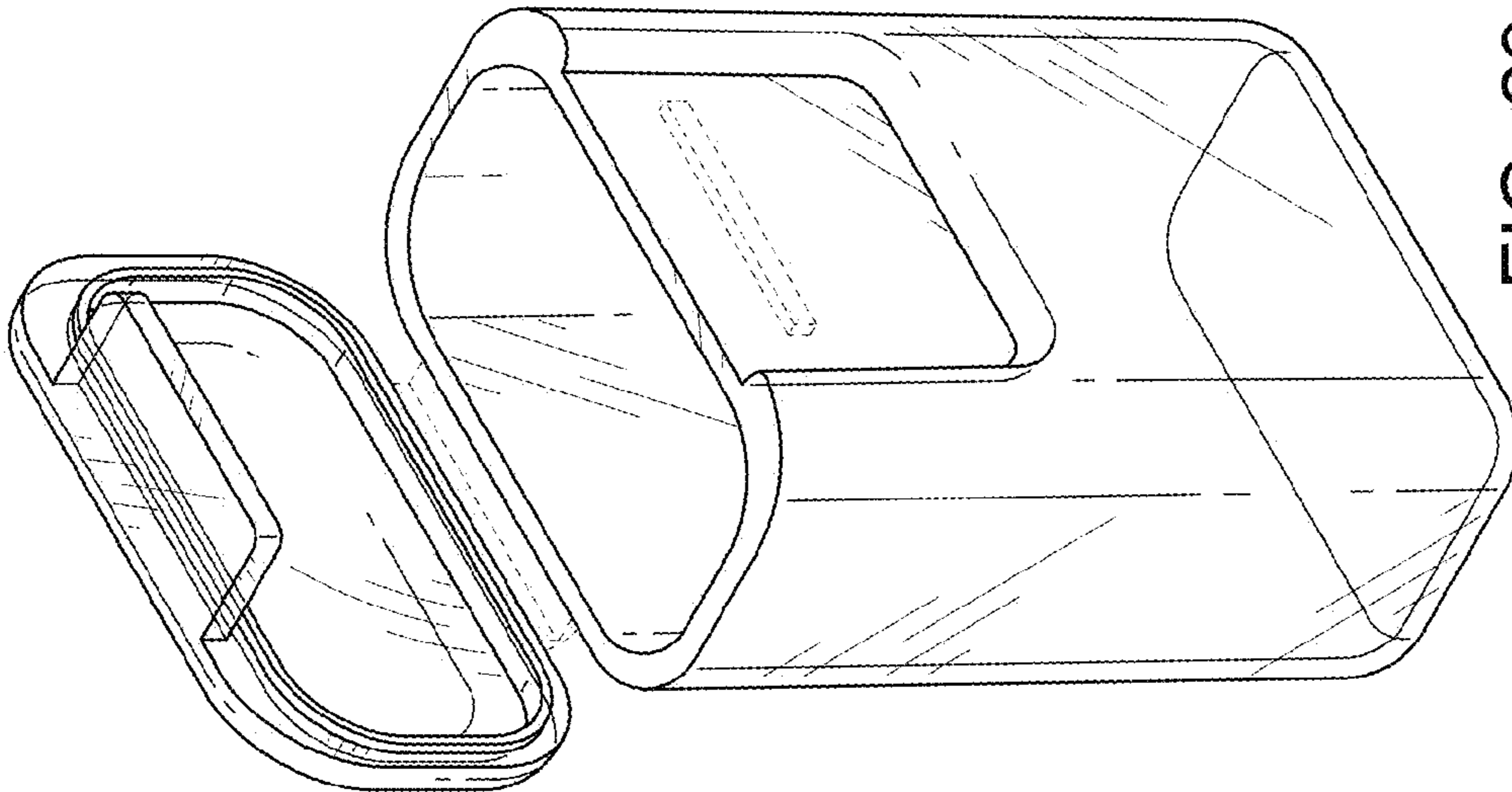


FIG. 29

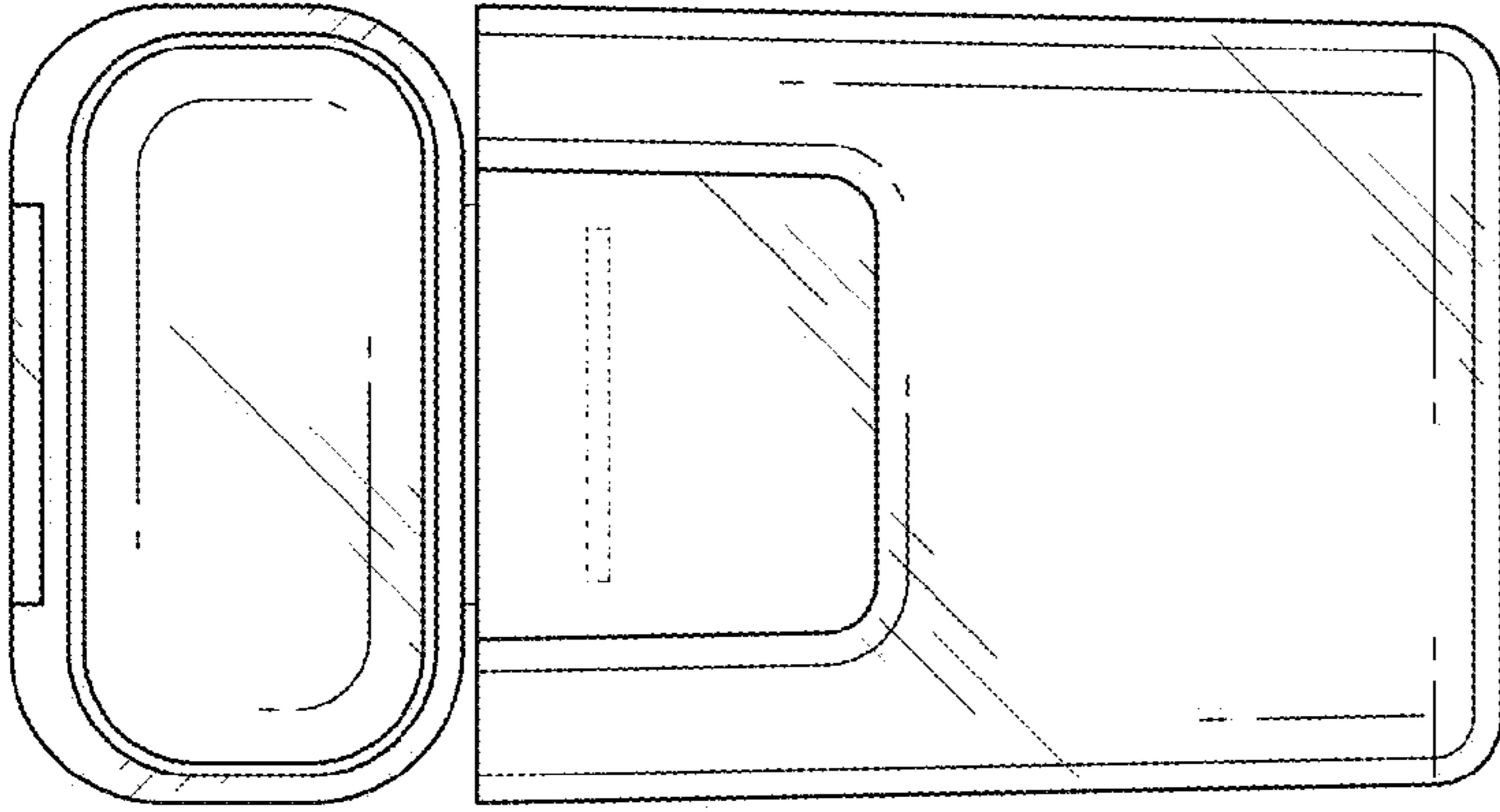


FIG. 30

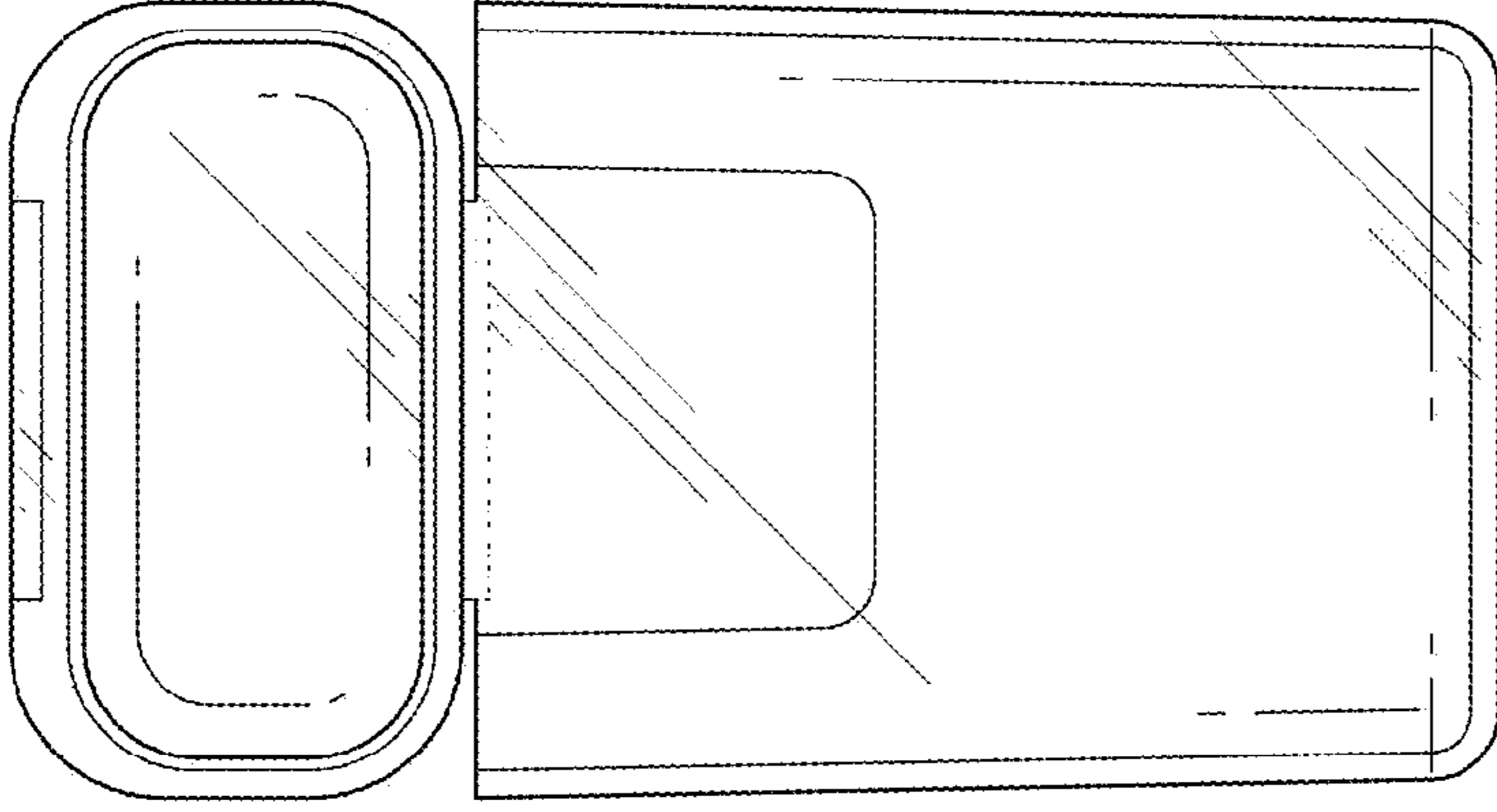


FIG. 31

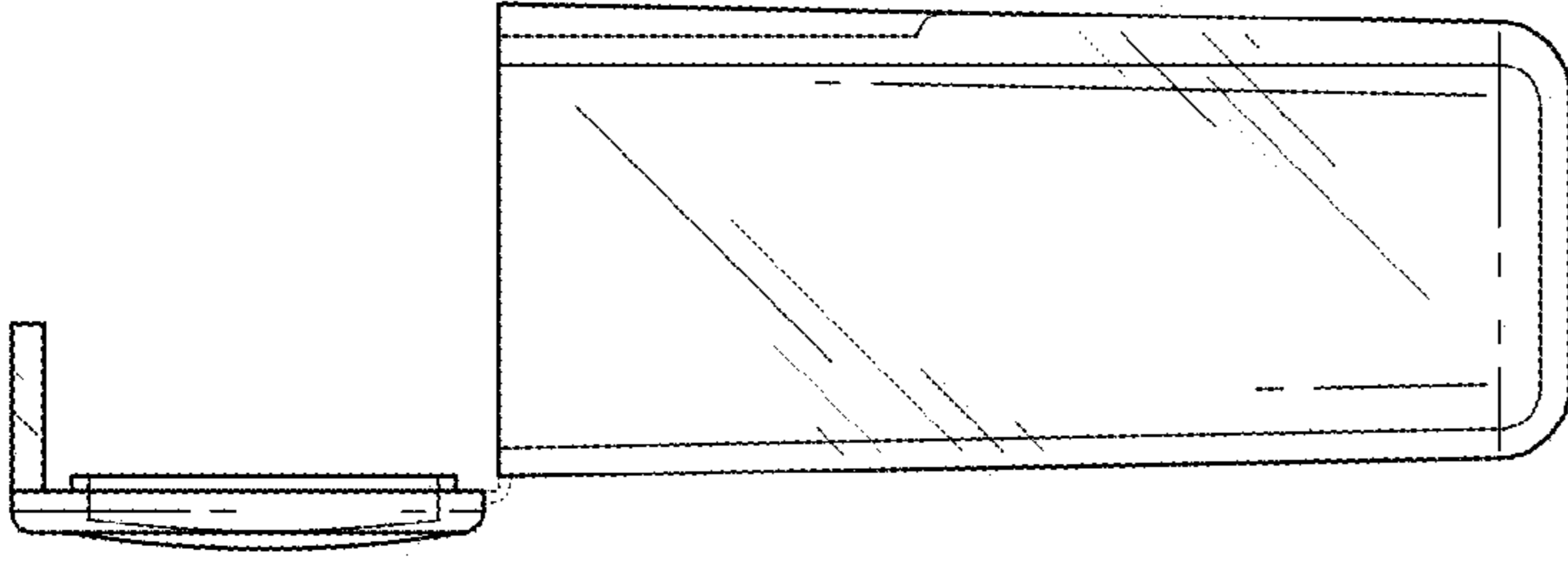


FIG. 32

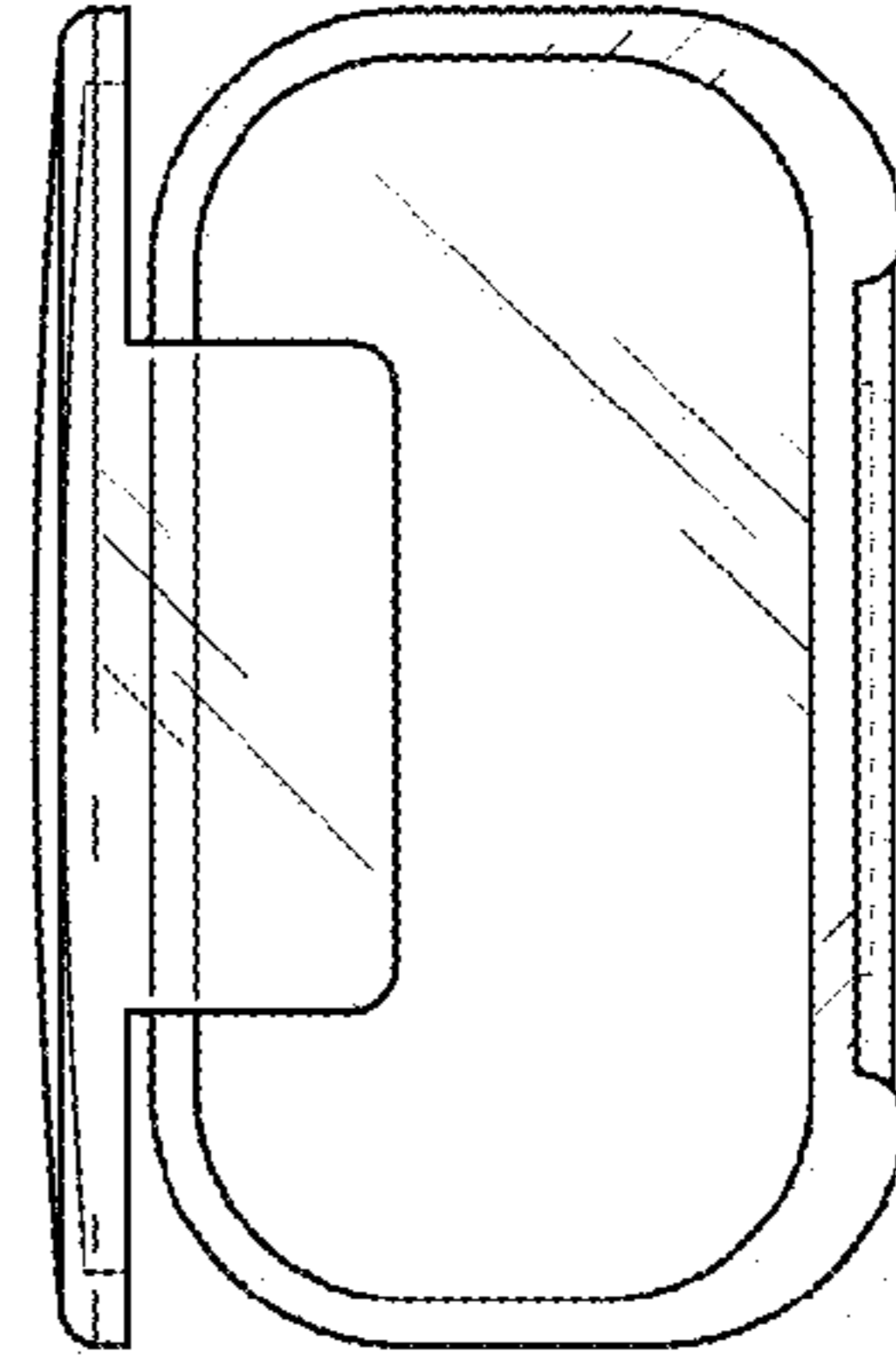


FIG. 33

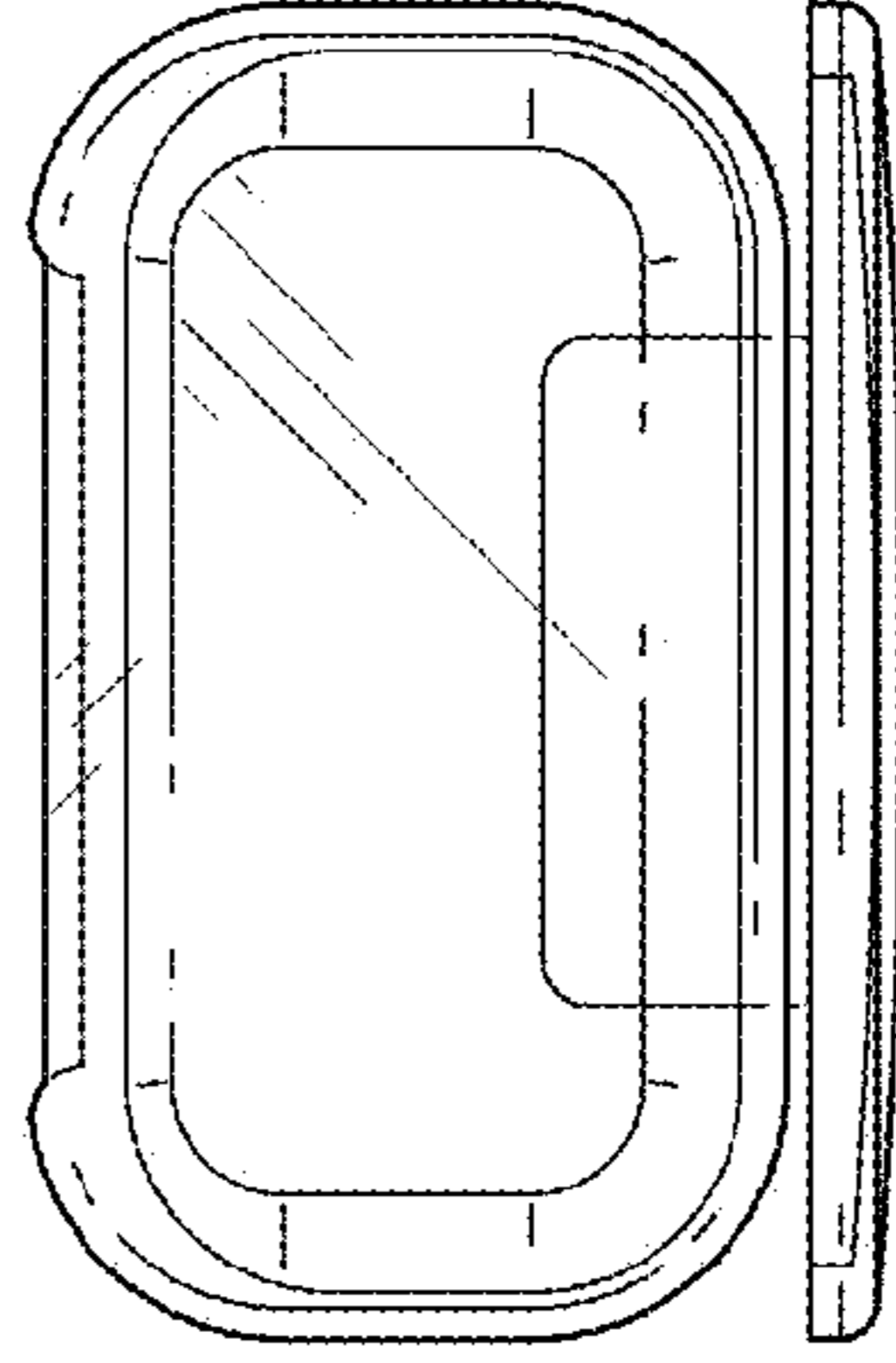


FIG. 34